

US00D522623S

(12) **United States Design Patent**
Koury et al.

(10) **Patent No.:** **US D522,623 S**

(45) **Date of Patent:** **** Jun. 6, 2006**

(54) **FAUCET HANDLE**

D466,982 S * 12/2002 Gerlach D23/242

(75) Inventors: **Steffen Koury**, Charlestown, MA (US);
John Schaffeld, Marshfield, MA (US)

* cited by examiner

(73) Assignee: **Masco Corporation of Indiana**,
Indianapolis, IN (US)

Primary Examiner—Louis S. Zarfes

Assistant Examiner—G. Andoll

(**) Term: **14 Years**

(74) *Attorney, Agent, or Firm*—Kwadjo Adusei-Poku;
Lloyd D. Doigan

(21) Appl. No.: **29/218,221**

(57) **CLAIM**

(22) Filed: **Nov. 30, 2004**

The ornamental design for a faucet handle, as shown and described.

(51) **LOC (8) Cl.** **23-01**

(52) **U.S. Cl.** **D23/252**

(58) **Field of Classification Search** D23/238–257;
D8/250–257, 300–322, DIG. 3; 16/110.1;
4/675–678; 137/801

DESCRIPTION

See application file for complete search history.

FIG. 1 is a front perspective view of a faucet handle showing our design;

FIG. 2 is a left side elevational view thereof;

FIG. 3 is a right side elevational view thereof;

FIG. 4 is a front elevational view thereof;

FIG. 5 is a rear elevational view thereof;

FIG. 6 is a top plan view thereof; and,

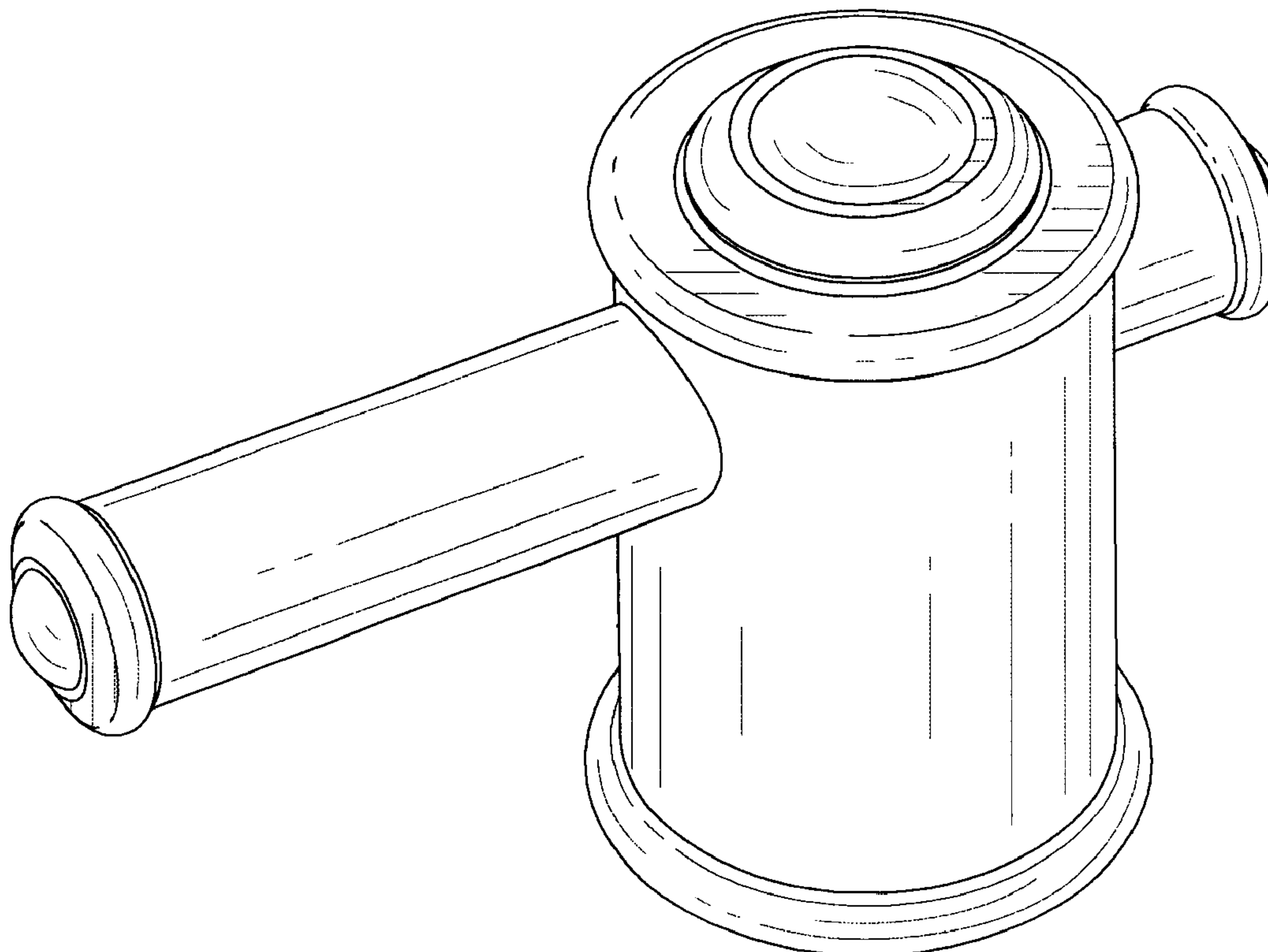
FIG. 7 is a rear perspective view thereof.

(56) **References Cited**

U.S. PATENT DOCUMENTS

D357,730 S * 4/1995 Saperstein D23/252

1 Claim, 7 Drawing Sheets



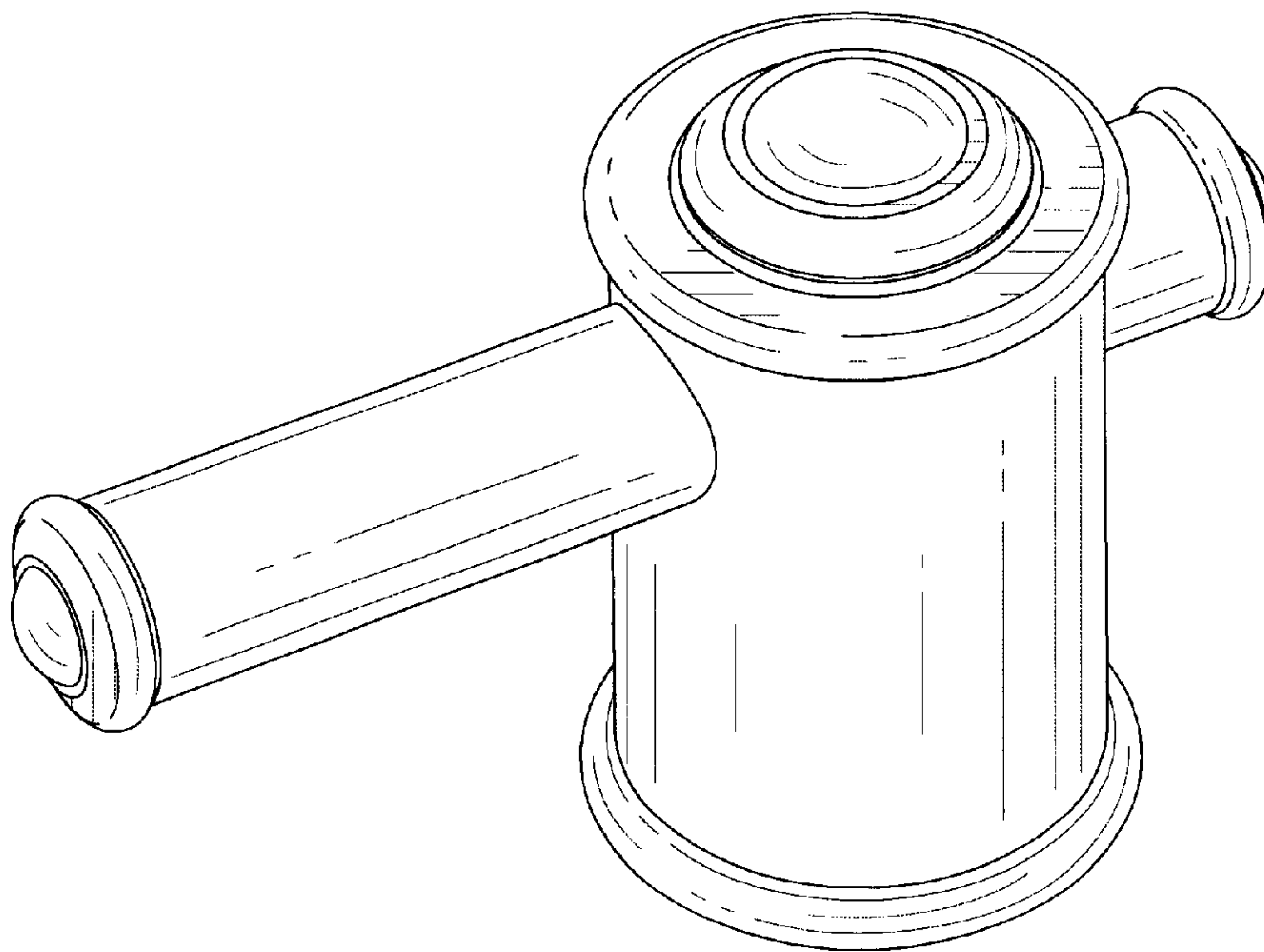


FIG. 1

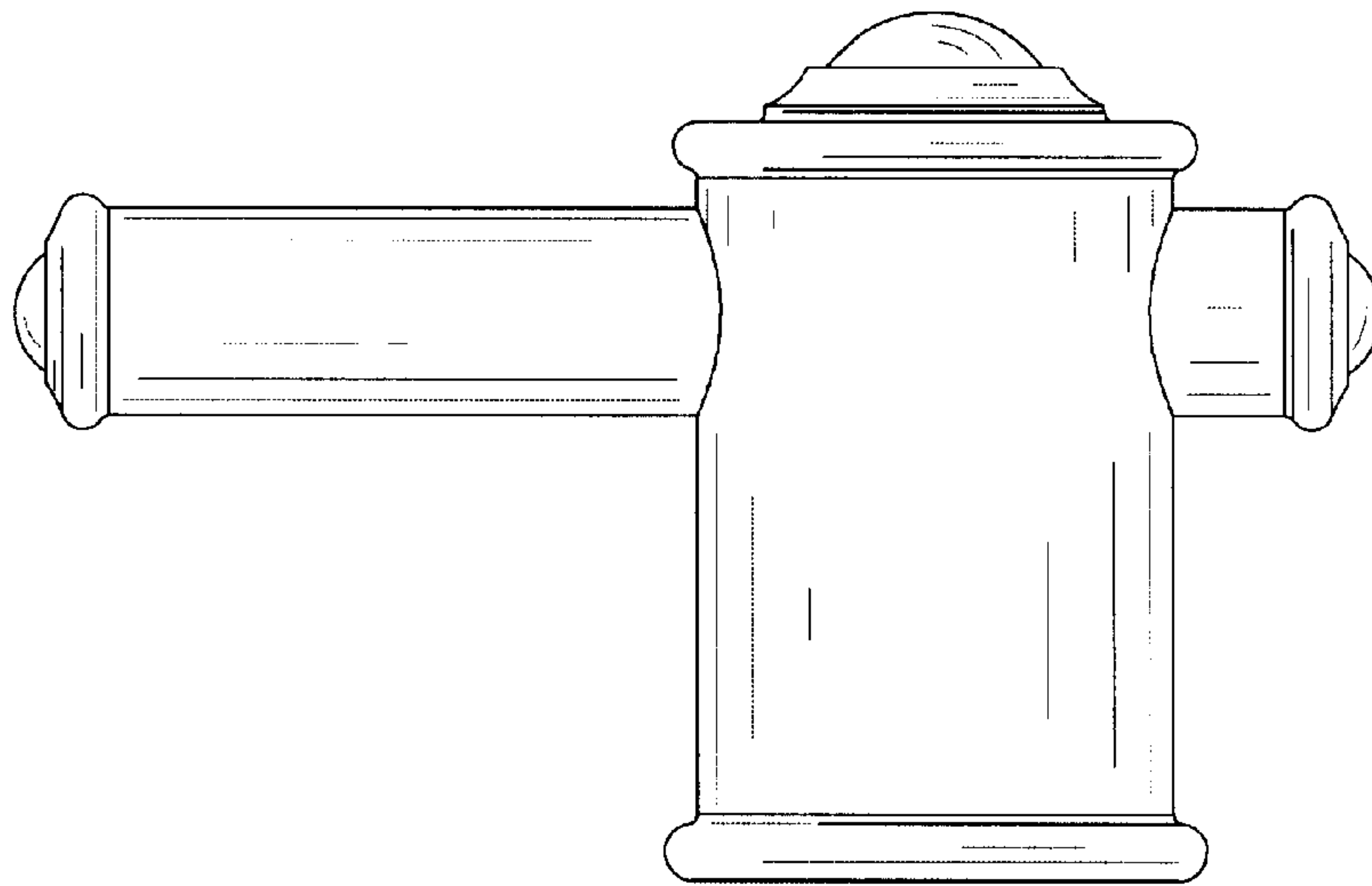


FIG. 2

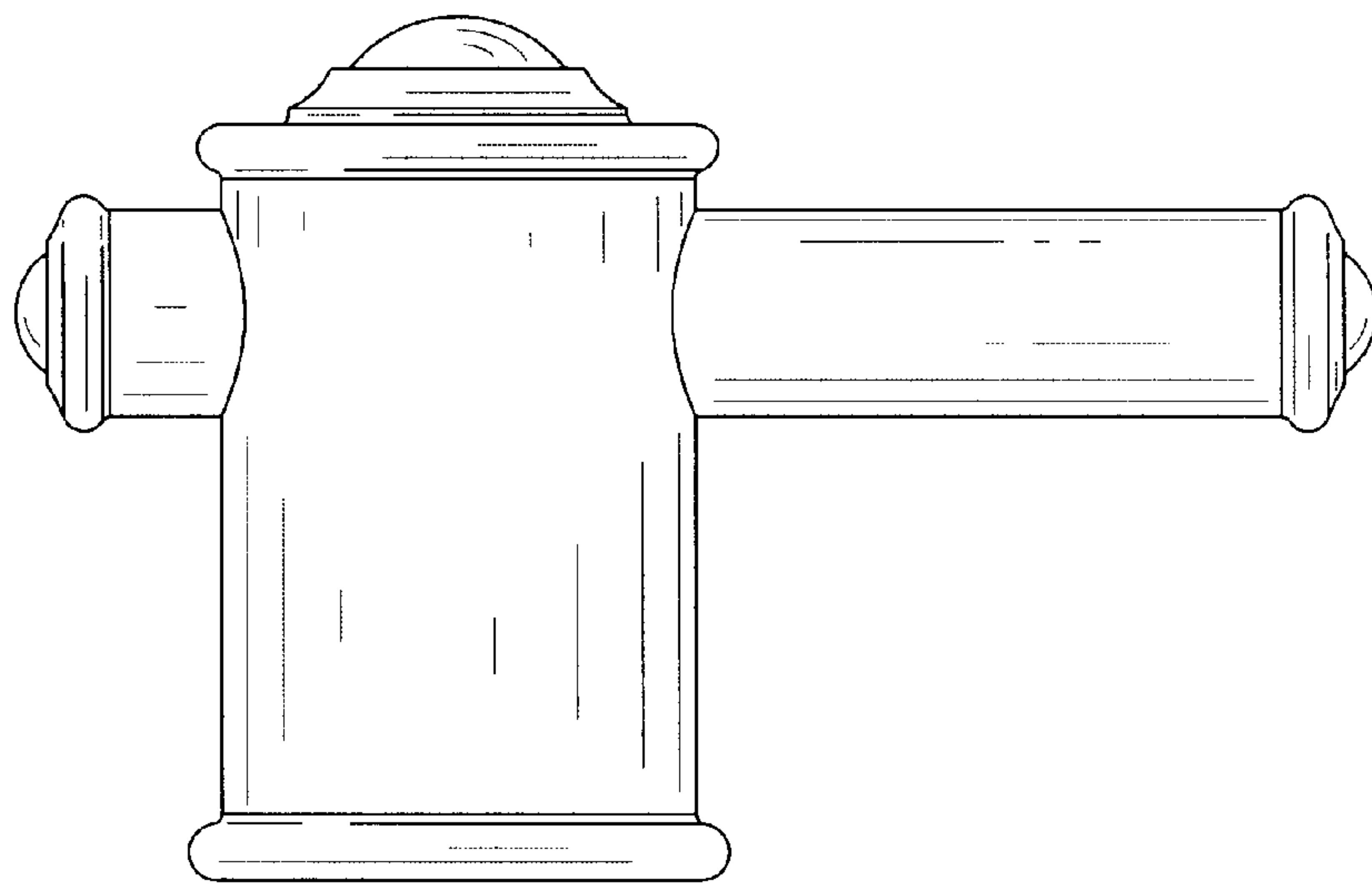


FIG. 3

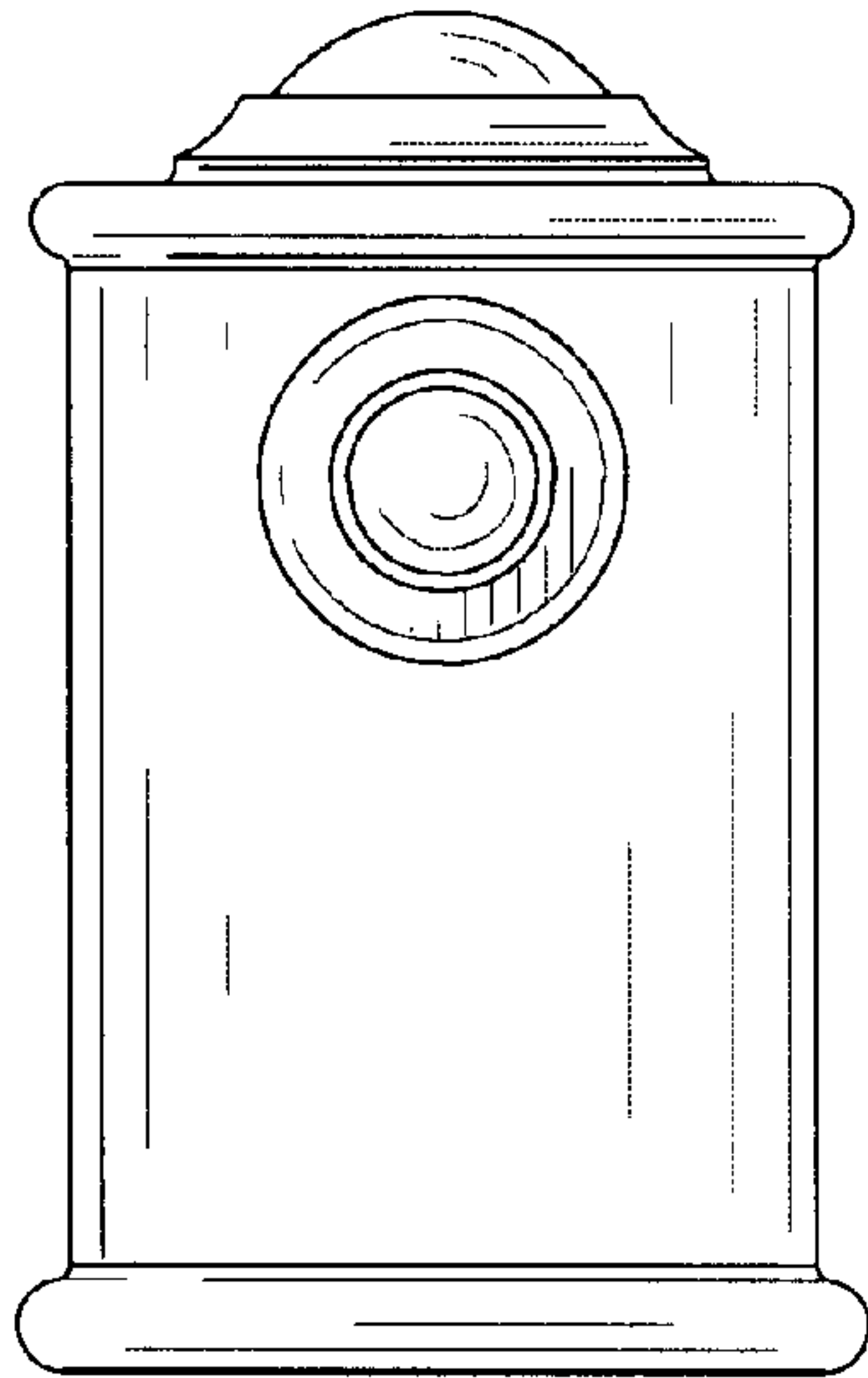


FIG. 4

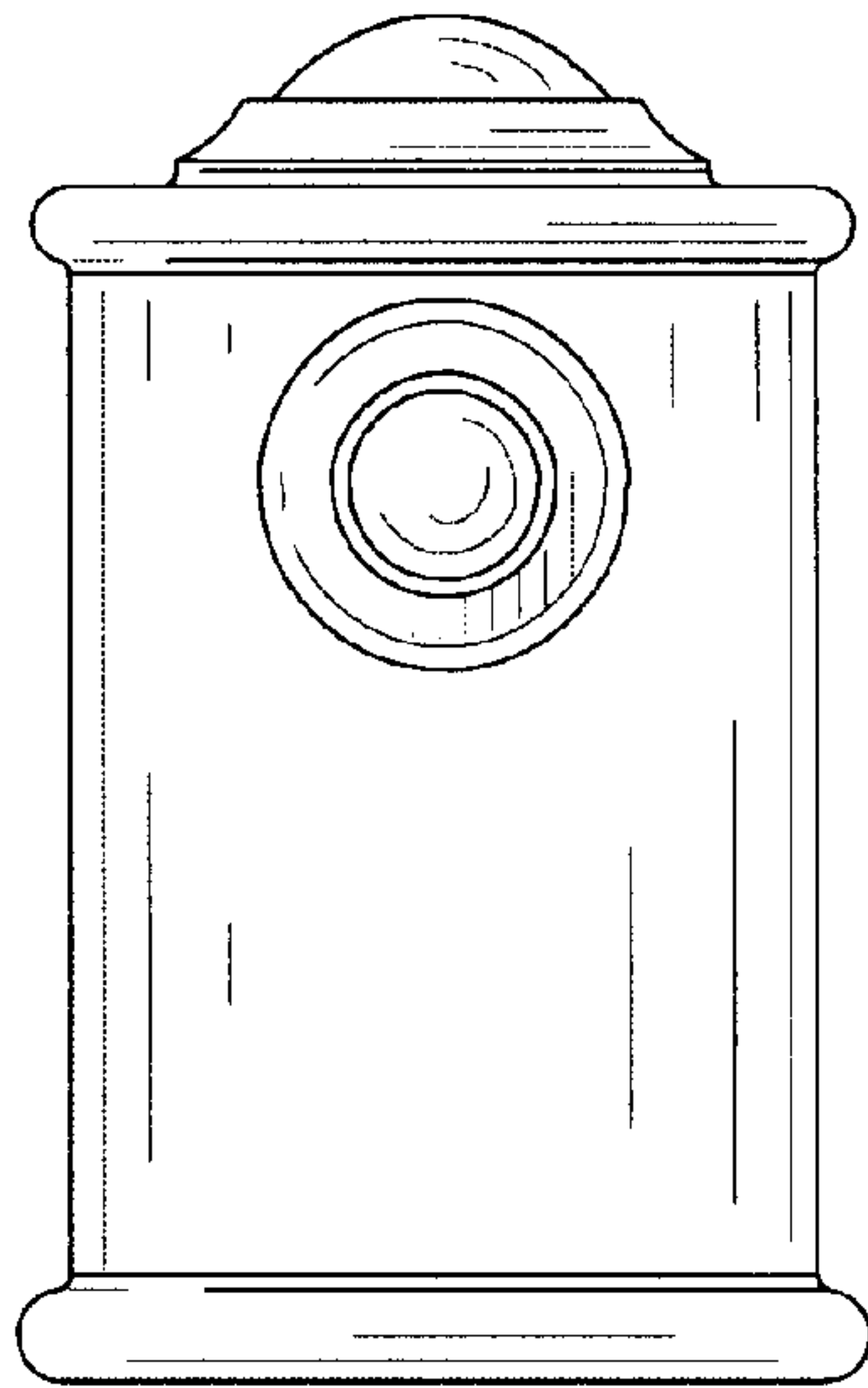


FIG. 5

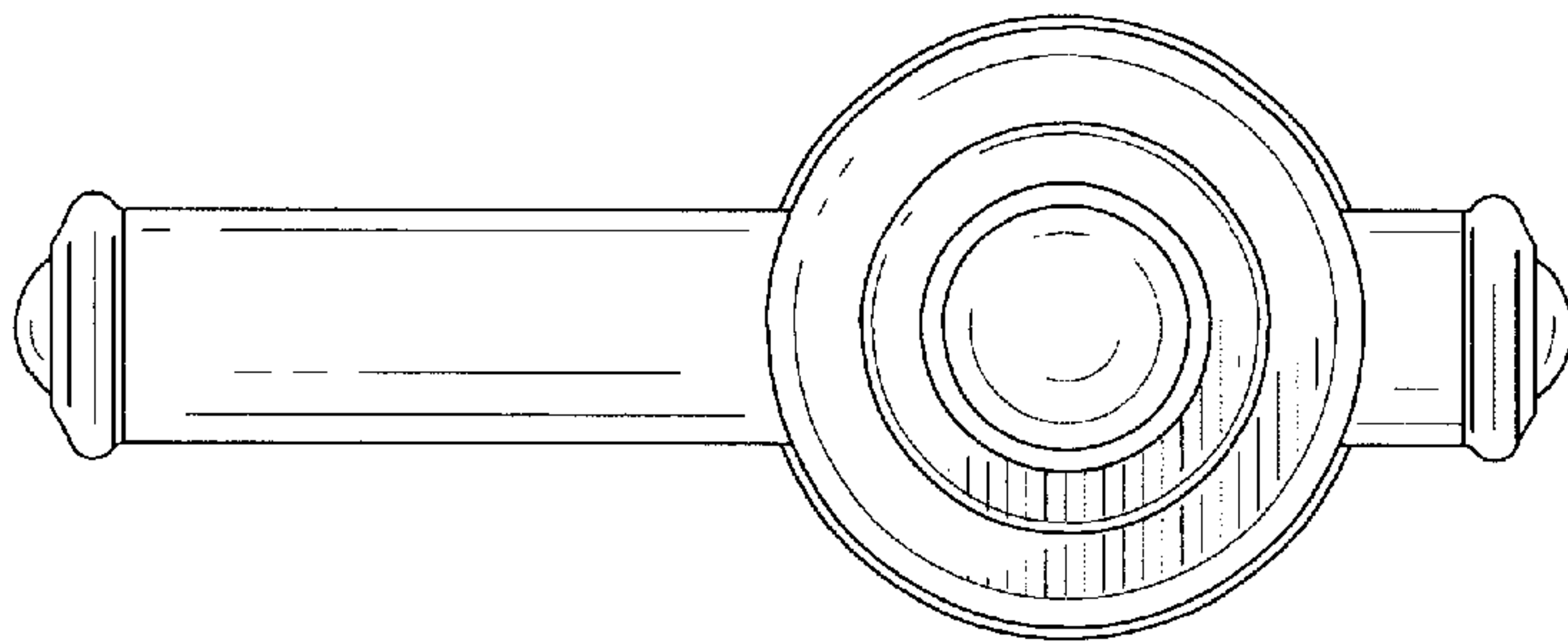


FIG. 6

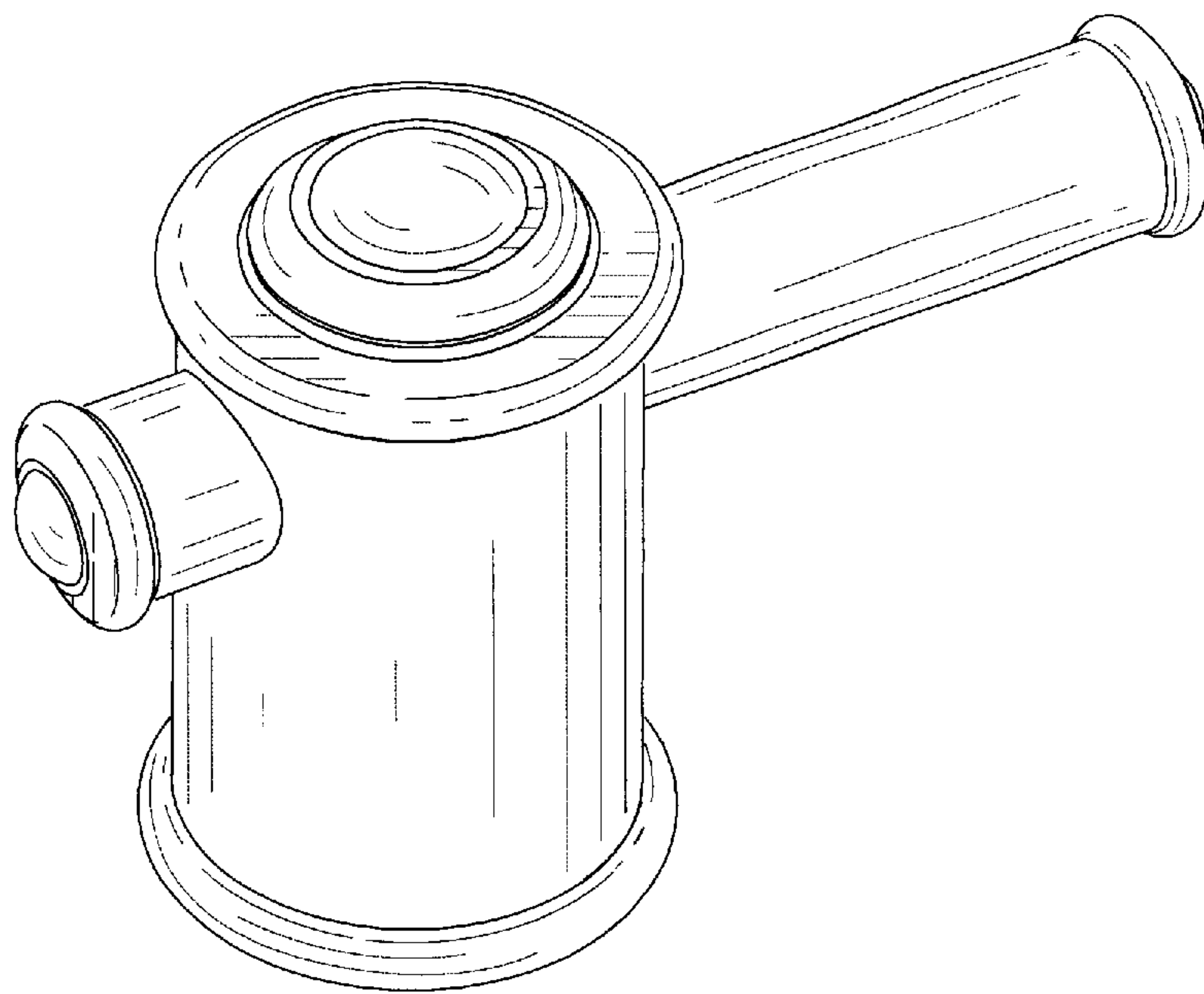


FIG. 7