



US00D522622S

(12) **United States Design Patent**
Chung

(10) **Patent No.:** **US D522,622 S**

(45) **Date of Patent:** **** Jun. 6, 2006**

(54) **HOT/COLD WATER MIXING FAUCET**

(76) **Inventor:** **Chiu-Chih Chung**, No. 31, Lane 275,
Sec. 4, Lu Ho Rd., Lu Kan Chen,
Chunghua Hsien (TW)

(**) **Term:** **14 Years**

(21) **Appl. No.:** **29/230,724**

(22) **Filed:** **May 26, 2005**

(51) **LOC (8) Cl.** **23-01**

(52) **U.S. Cl.** **D23/249; D23/241; D23/242**

(58) **Field of Classification Search** **D23/238-257;**
4/675; 137/801, 615

See application file for complete search history.

(56) **References Cited**

U.S. PATENT DOCUMENTS

D45,574 S	*	4/1914	Speakman	D23/241
D77,022 S	*	11/1928	Mueller	D23/240
D80,439 S	*	2/1930	Fraser	D23/240
D83,674 S	*	3/1931	Fraser	D23/240

D111,011 S	*	8/1938	Bloch	D23/240
D426,289 S	*	6/2000	Levine	D23/303
D428,473 S	*	7/2000	Milrud et al.	D23/241

* cited by examiner

Primary Examiner—Louis S. Zarfes

Assistant Examiner—Gregory Andoll

(74) *Attorney, Agent, or Firm*—Troxell Law Office, PLLC

(57) **CLAIM**

The ornamental design for a hot/cold water mixing faucet, as shown and described.

DESCRIPTION

FIG. 1 is a front elevation view of my hot/cold water mixing faucet;

FIG. 2 is a left side view thereof;

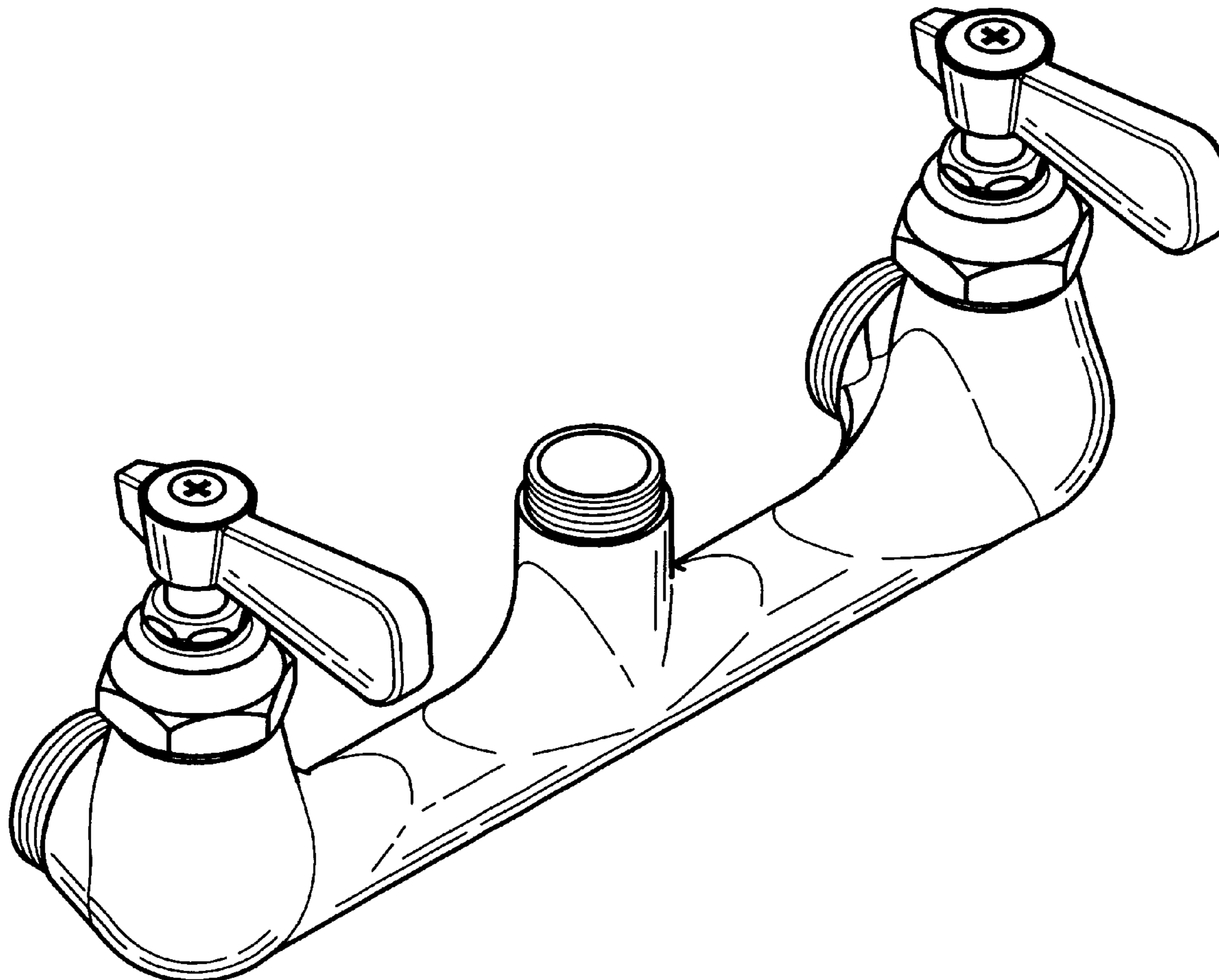
FIG. 3 is a right side view thereof;

FIG. 4 is a top plan view thereof;

FIG. 5 is a bottom plan view thereof; and,

FIG. 6 is a perspective view of a hot/cold water mixing faucet showing my new design.

1 Claim, 4 Drawing Sheets



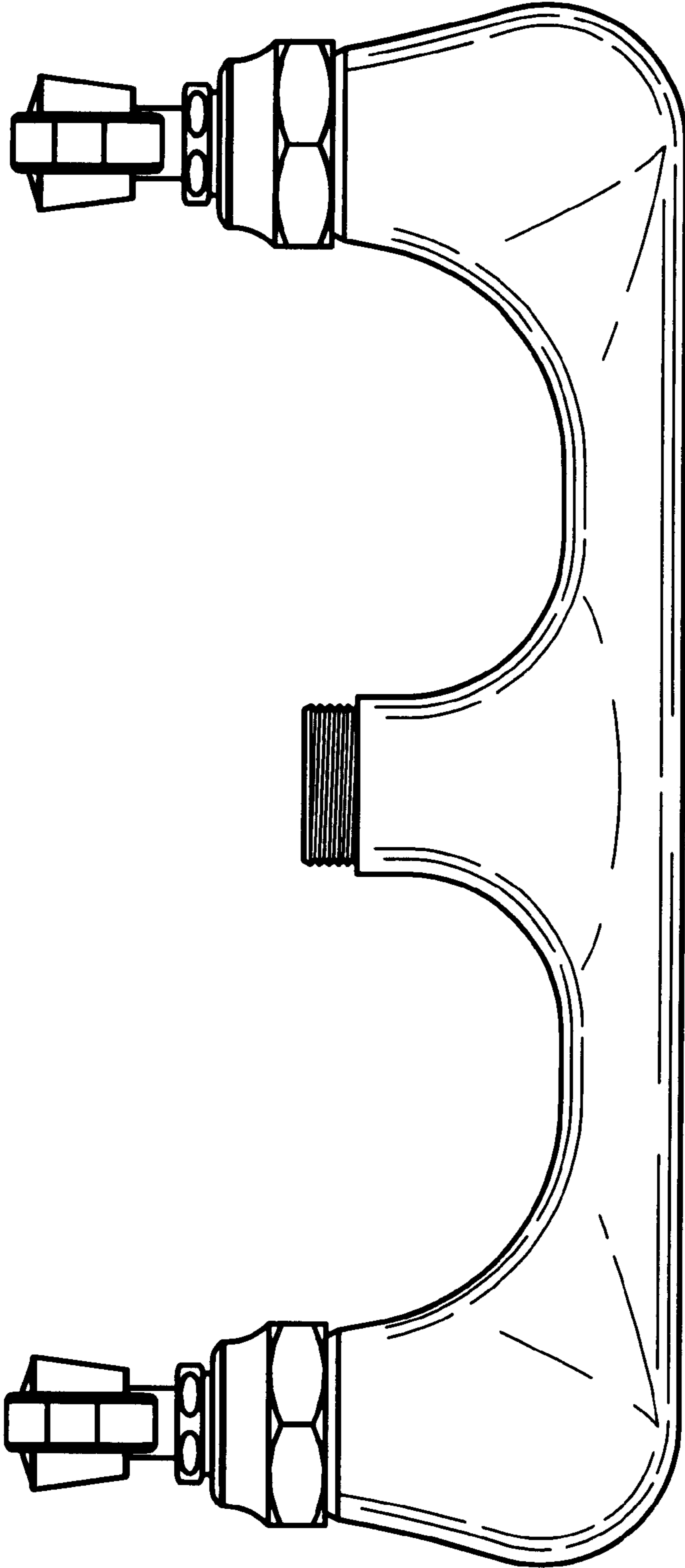


FIG. 1

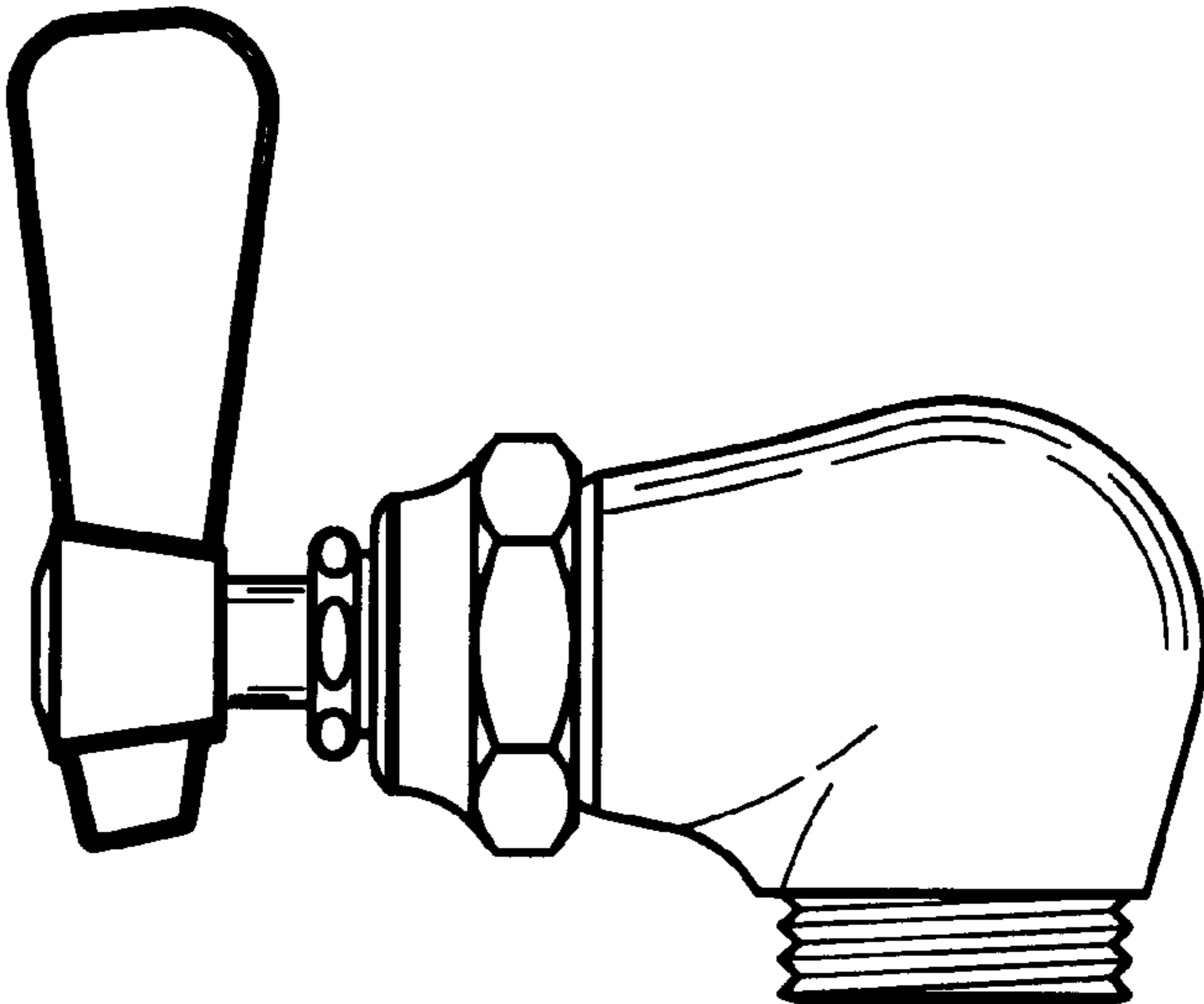


FIG. 3

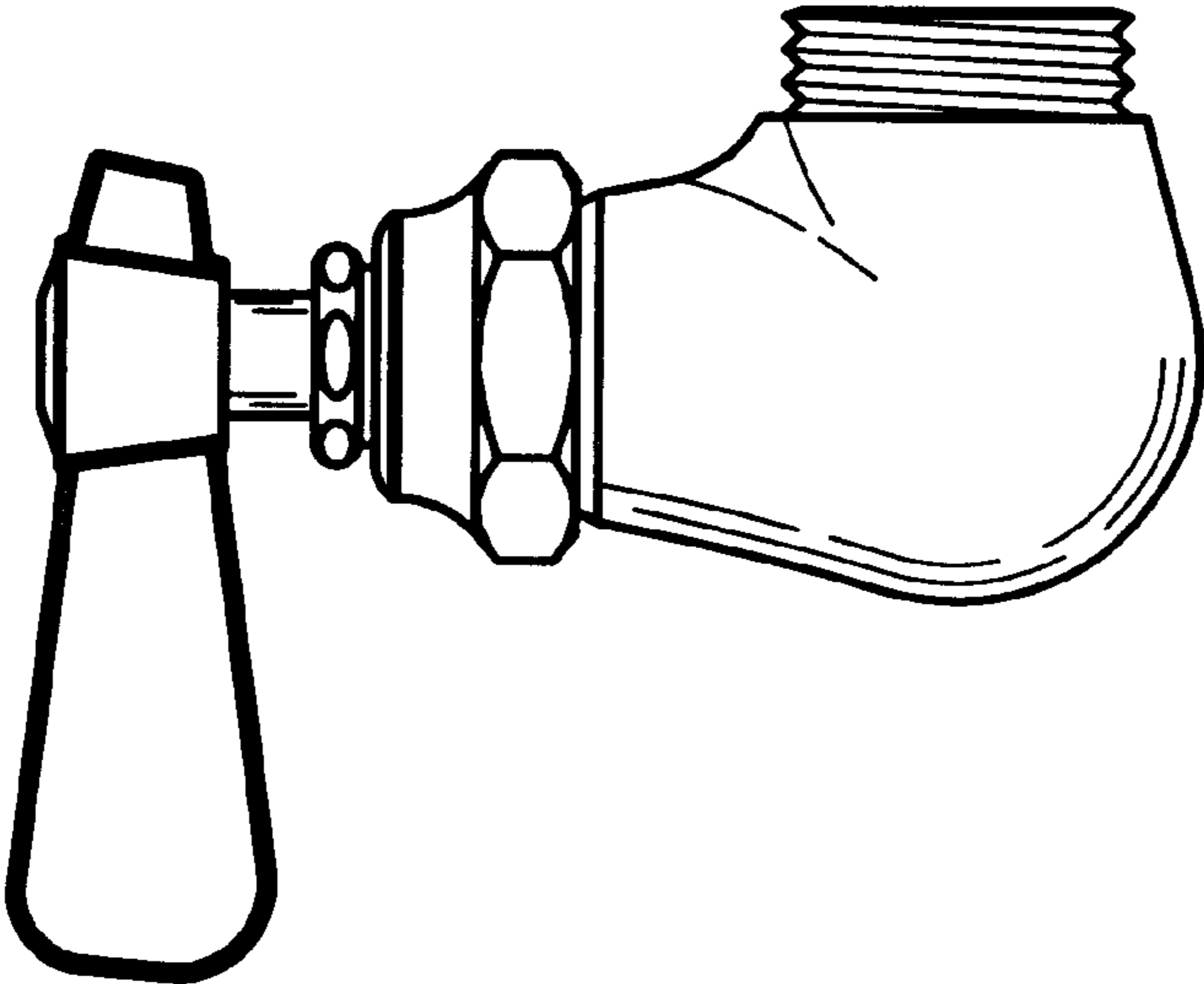


FIG. 2

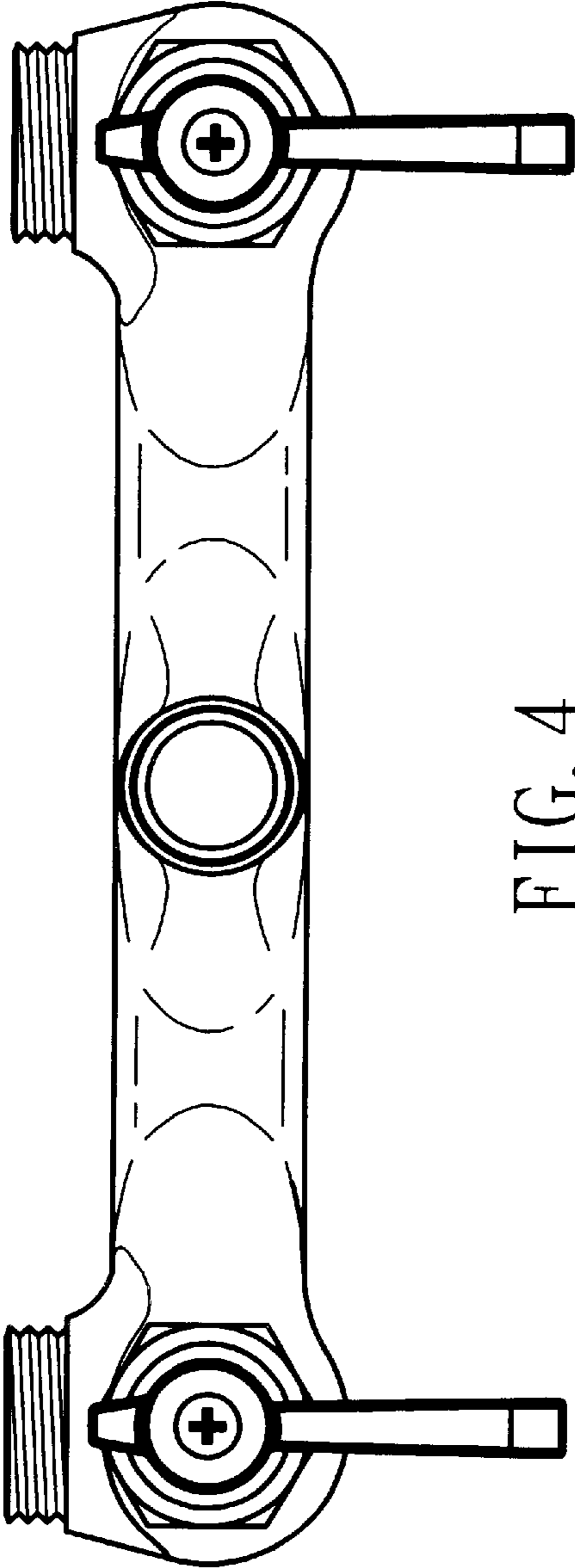


FIG. 4

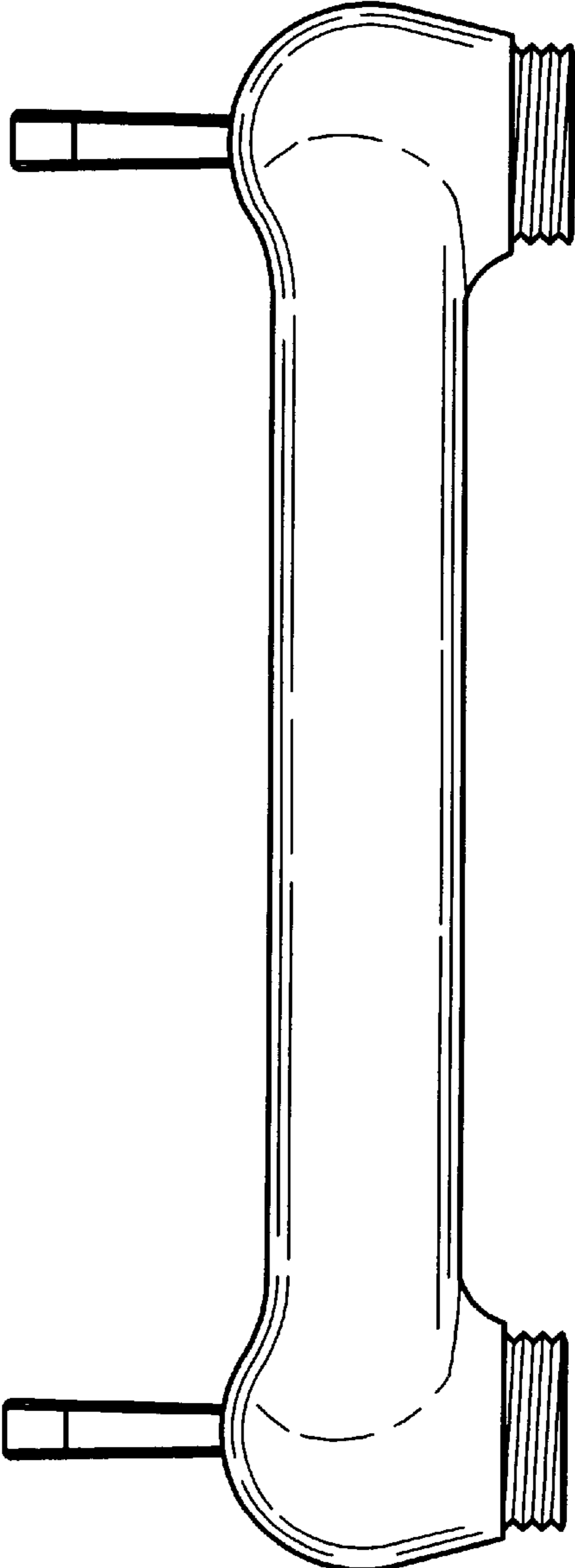


FIG. 5

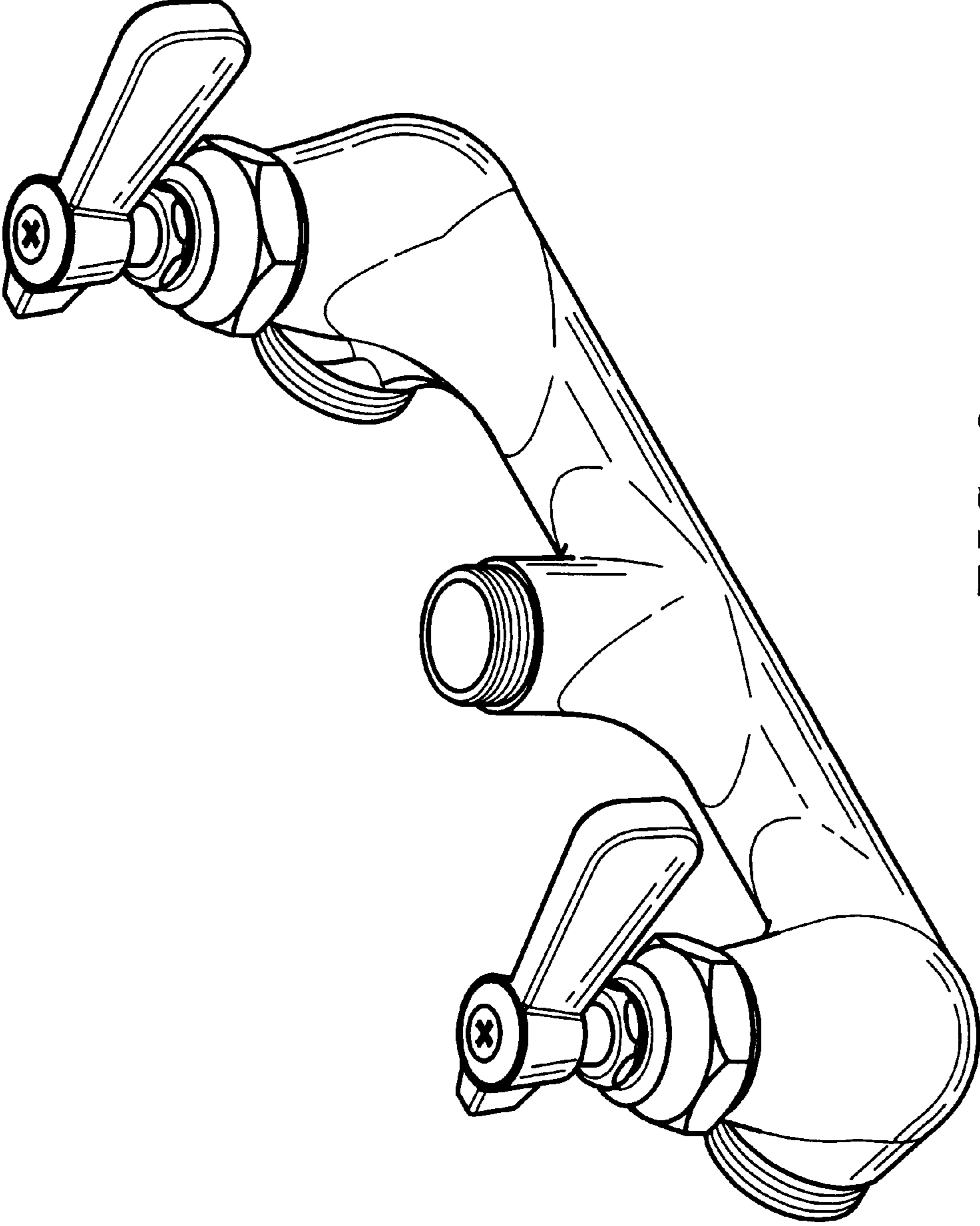


FIG. 6