



US00D522619S

(12) **United States Design Patent**  
**Scaramucci et al.**

(10) **Patent No.:** **US D522,619 S**  
(45) **Date of Patent:** **\*\* Jun. 6, 2006**

(54) **VALVE GEAR OPERATOR**

2003/0079779 A1 \* 5/2003 Baumann ..... 137/270  
2005/0199198 A1 \* 9/2005 Morin et al. .... 123/90.11

(75) Inventors: **John P. Scaramucci**, Oklahoma City, OK (US); **William D. Filler**, Oklahoma City, OK (US)

\* cited by examiner

(73) Assignee: **Valve Innovations, L.L.C.**, Carson City, NV (US)

*Primary Examiner*—Ian Simmons  
*Assistant Examiner*—Maurice Stevens  
(74) *Attorney, Agent, or Firm*—Dunlap, Coddling & Rogers, P.C.

(\*\*) Term: **14 Years**

(57) **CLAIM**

(21) Appl. No.: **29/214,737**

The ornamental design for a valve gear operator, as shown and described.

(22) Filed: **Oct. 7, 2004**

**DESCRIPTION**

(51) **LOC (8) Cl.** ..... **23-01**

(52) **U.S. Cl.** ..... **D23/249**

(58) **Field of Classification Search** ..... D23/233–250;  
477/111; 123/198 F, 90.11; 307/64, 68; D15/1–5,  
D15/199; 137/554, 556, 557, 560, 992, 884;  
251/11–12, 128, 214, 129.04, 243, 331, 15,  
251/58, 63.5, 30.01

FIG. 1 is a perspective view of a gear operator showing our new design with a handle shown in broken lines and mounted to a valve also shown in broken lines.

FIG. 2 is a front elevational view thereof.

FIG. 3 is a rear elevational view thereof.

FIG. 4 is a side elevational view thereof.

FIG. 5 is a side elevational view a side opposite that shown in FIG. 4.

FIG. 6 is a top plan view thereof; and,

FIG. 7 is a bottom plan view thereof.

The broken lines shown in FIG. 1 are for purposes of illustrating environment only and form no part of the claimed design.

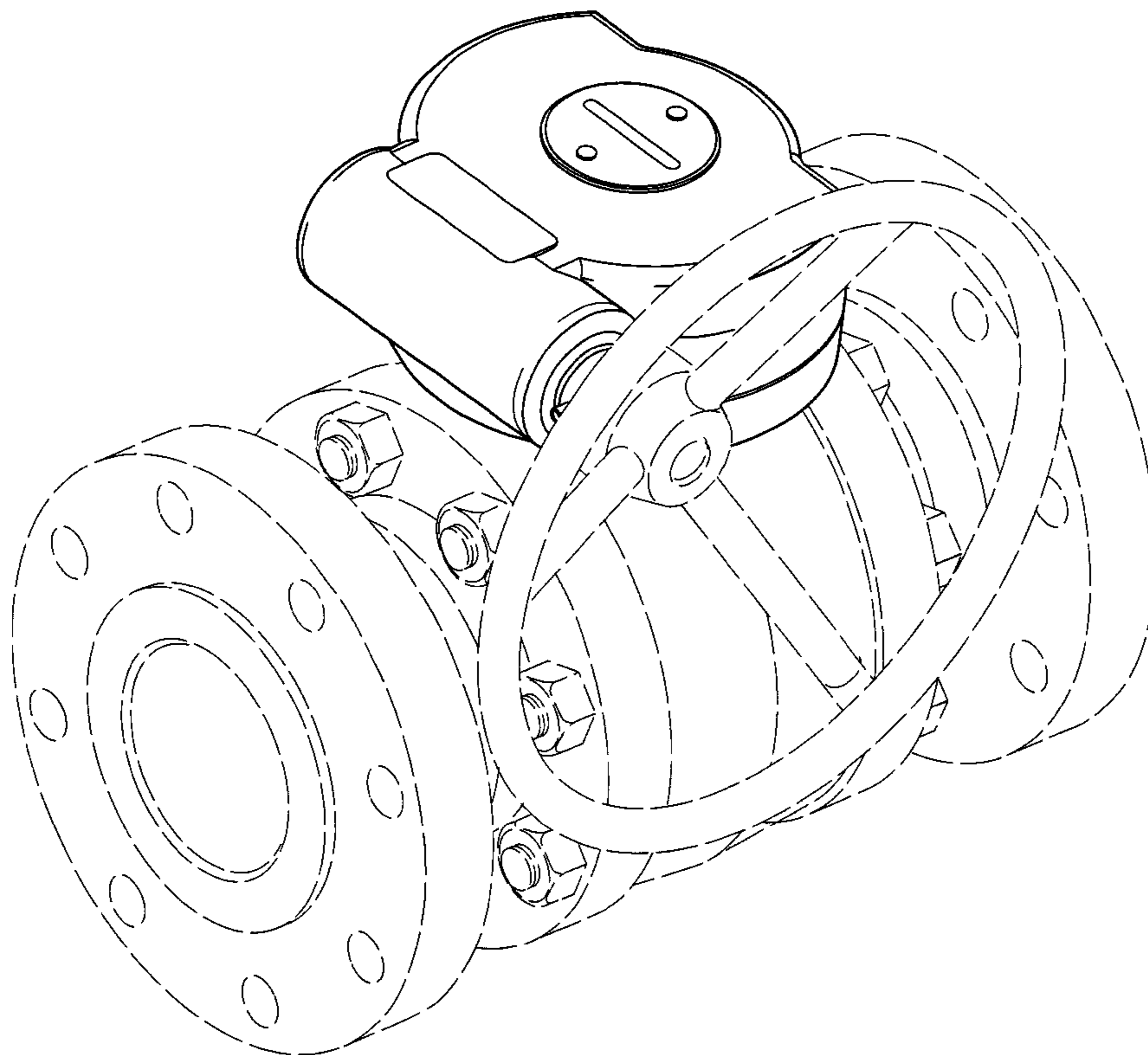
See application file for complete search history.

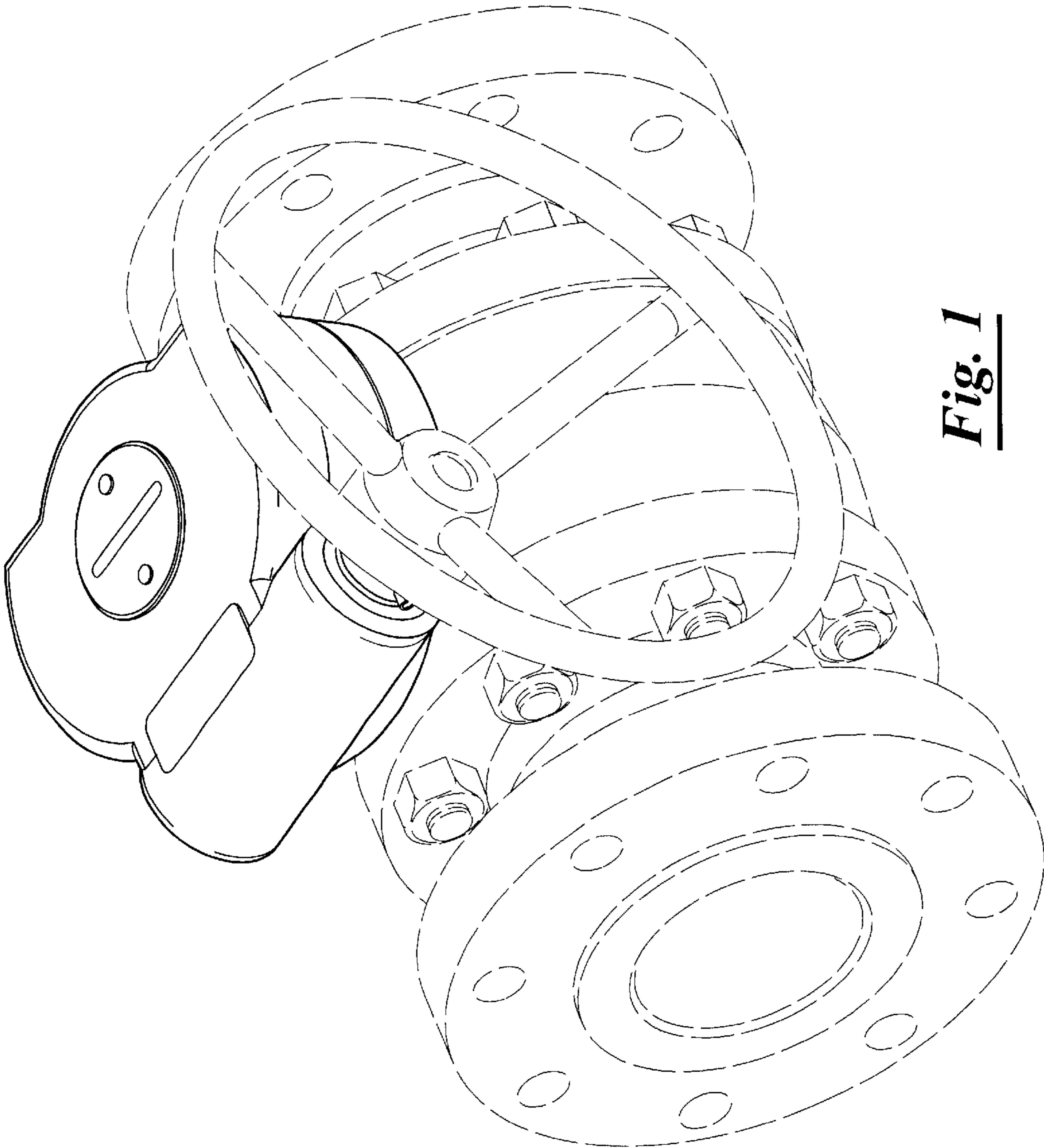
(56) **References Cited**

**U.S. PATENT DOCUMENTS**

3,160,077 A \* 12/1964 Ribeiro et al. .... 92/13.5  
4,879,901 A \* 11/1989 Leon ..... 73/168  
D400,967 S \* 11/1998 Schreiner et al. .... D23/233  
D479,576 S \* 9/2003 Wright ..... D23/233

**1 Claim, 4 Drawing Sheets**





***Fig. 1***

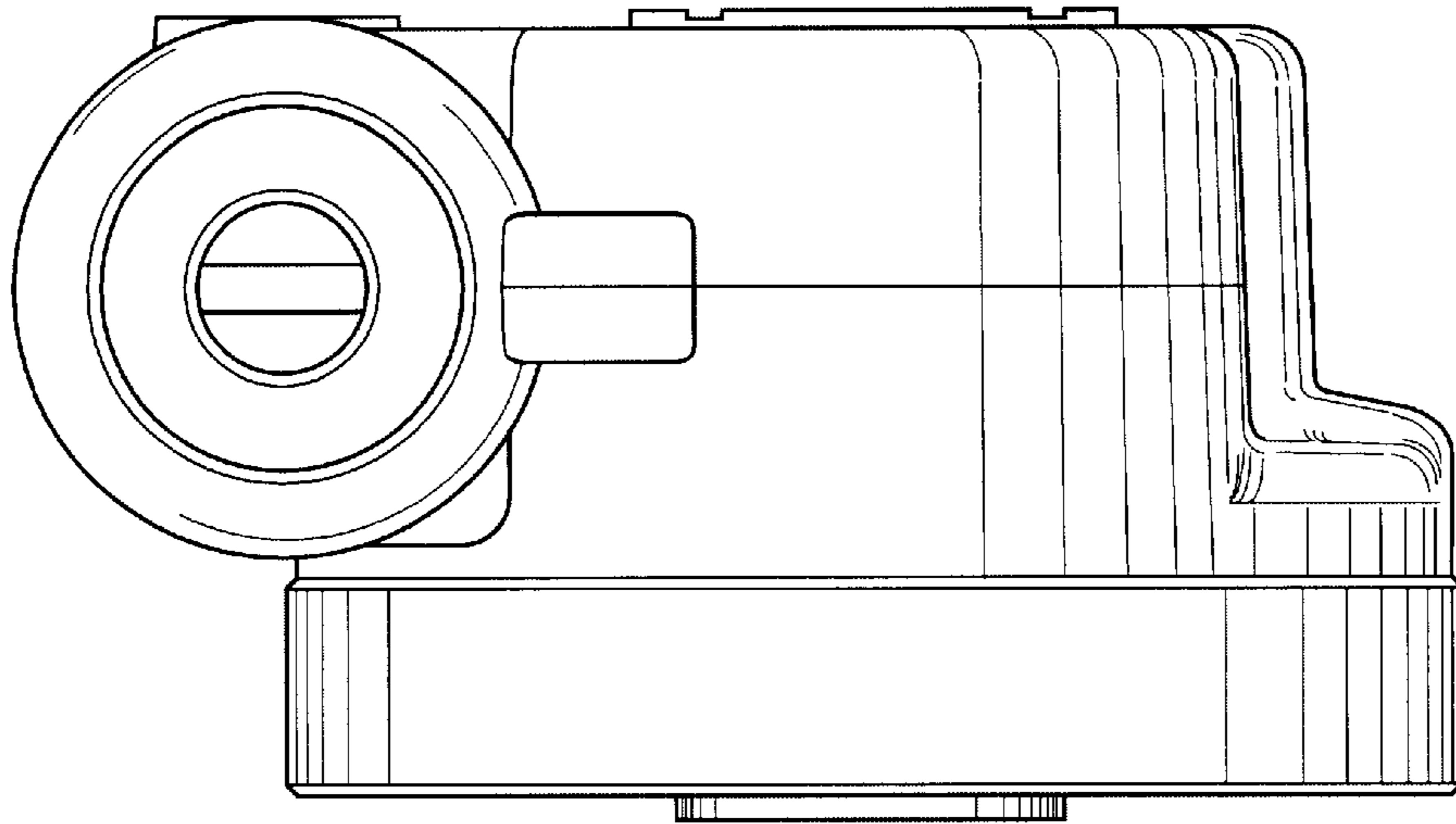


Fig. 2

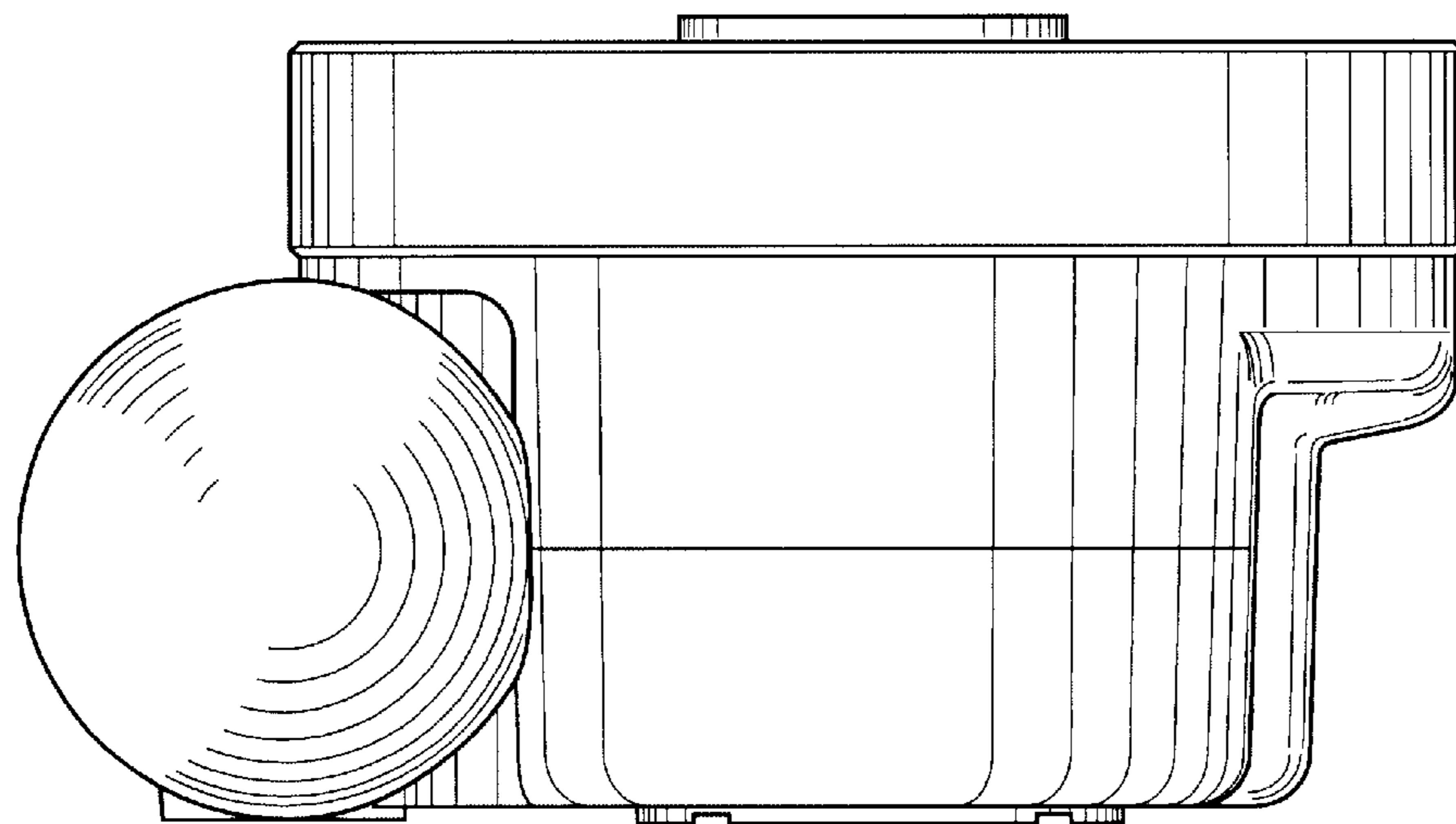


Fig. 3

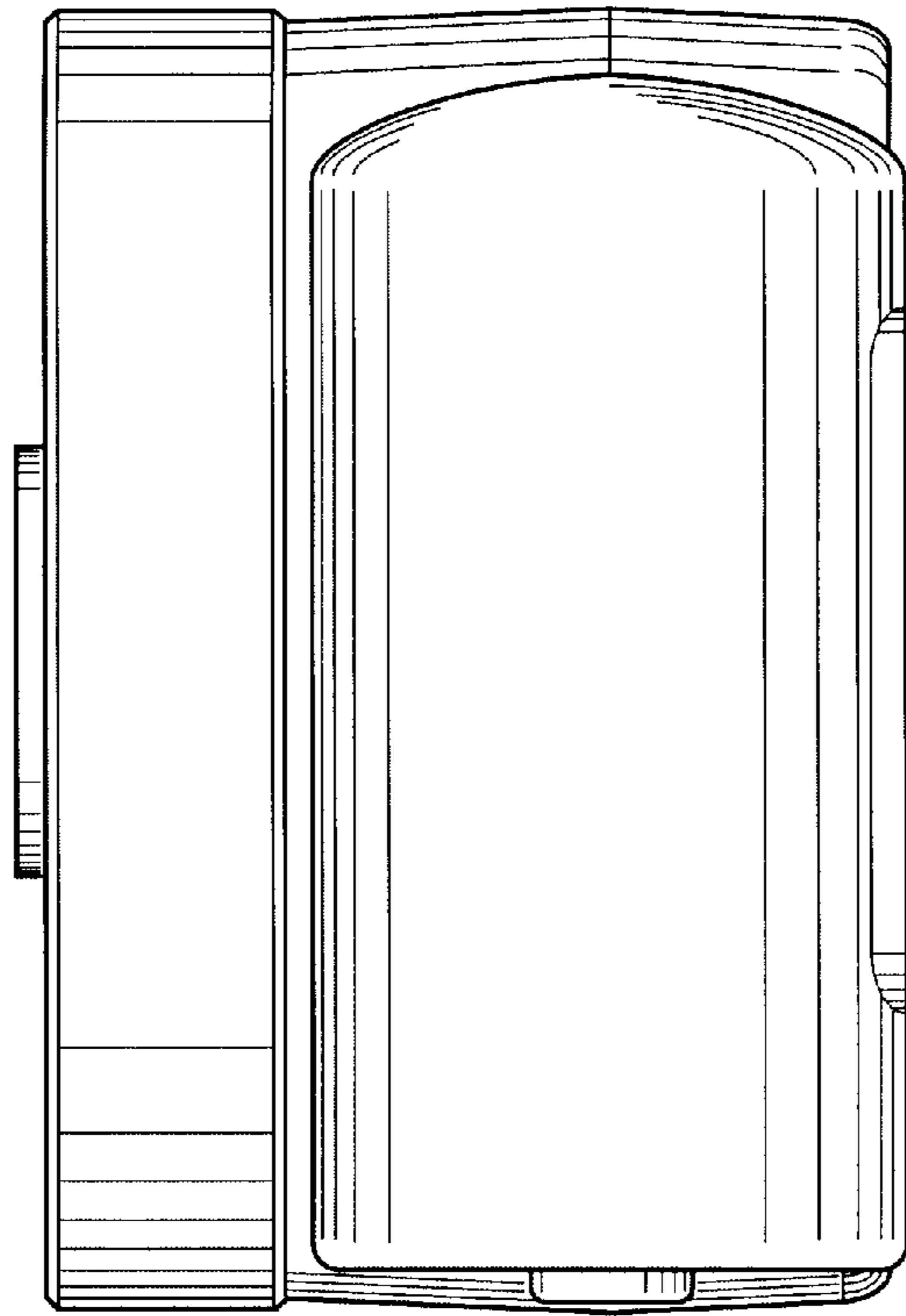


Fig. 4

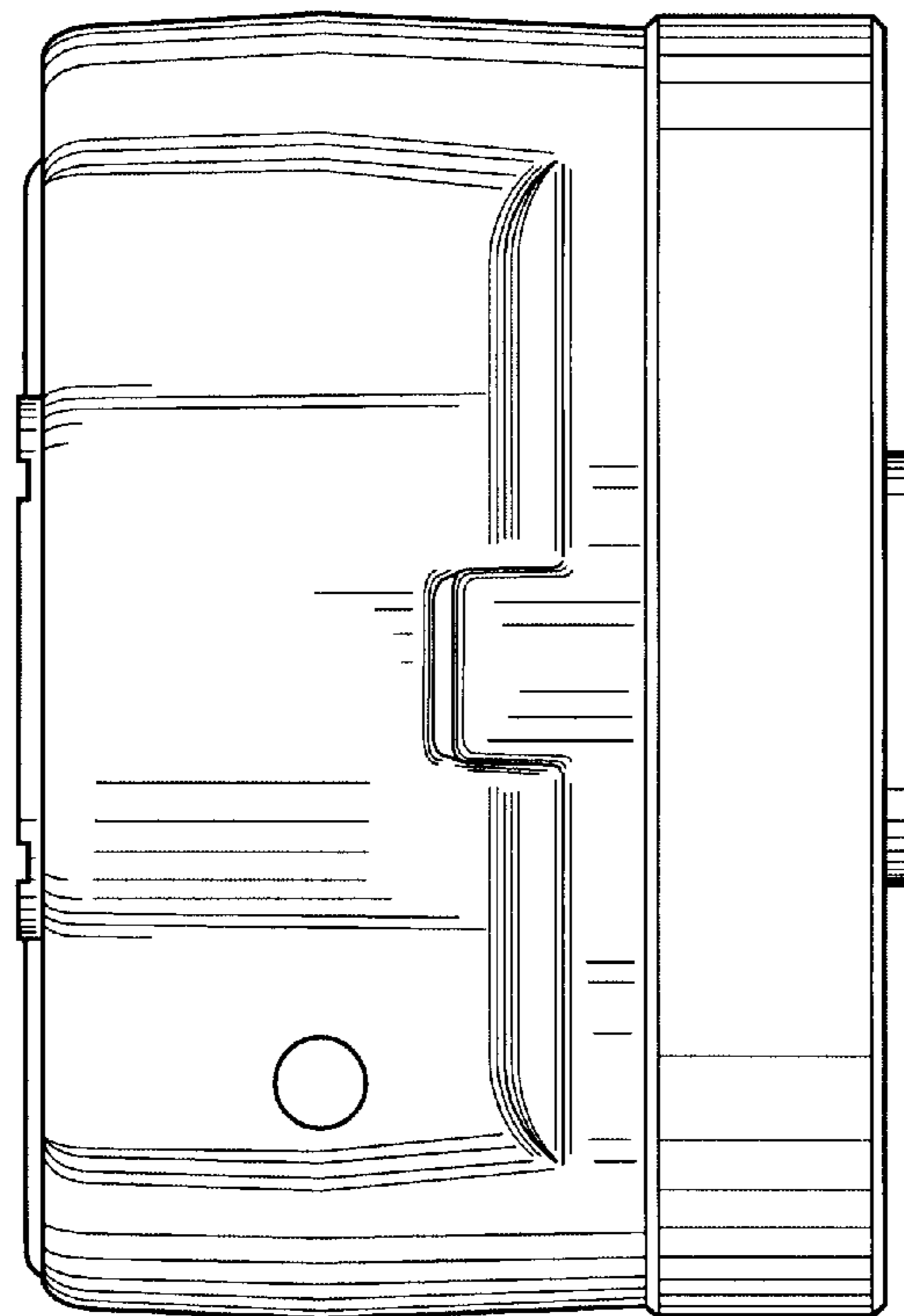


Fig. 5

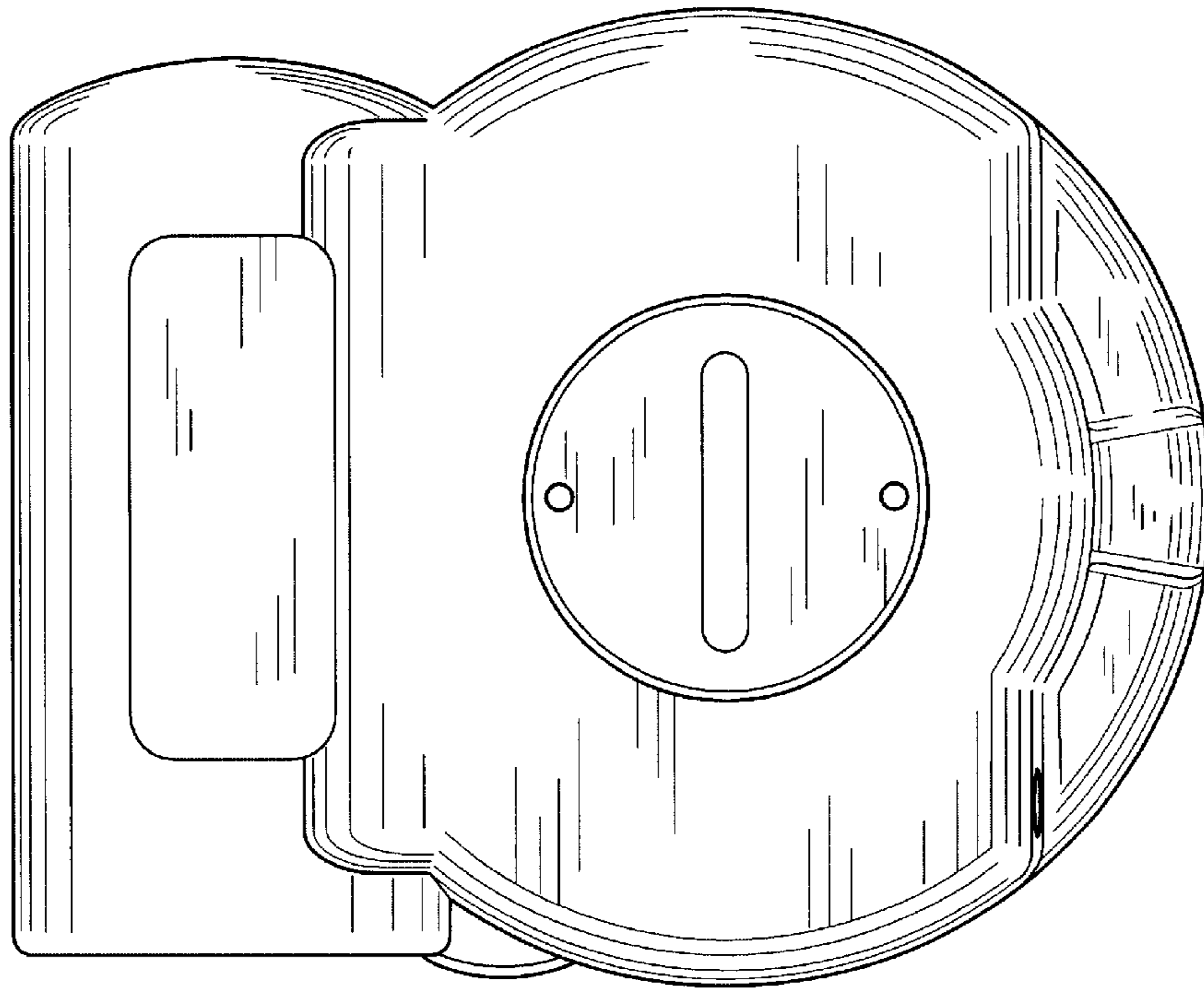


Fig. 6

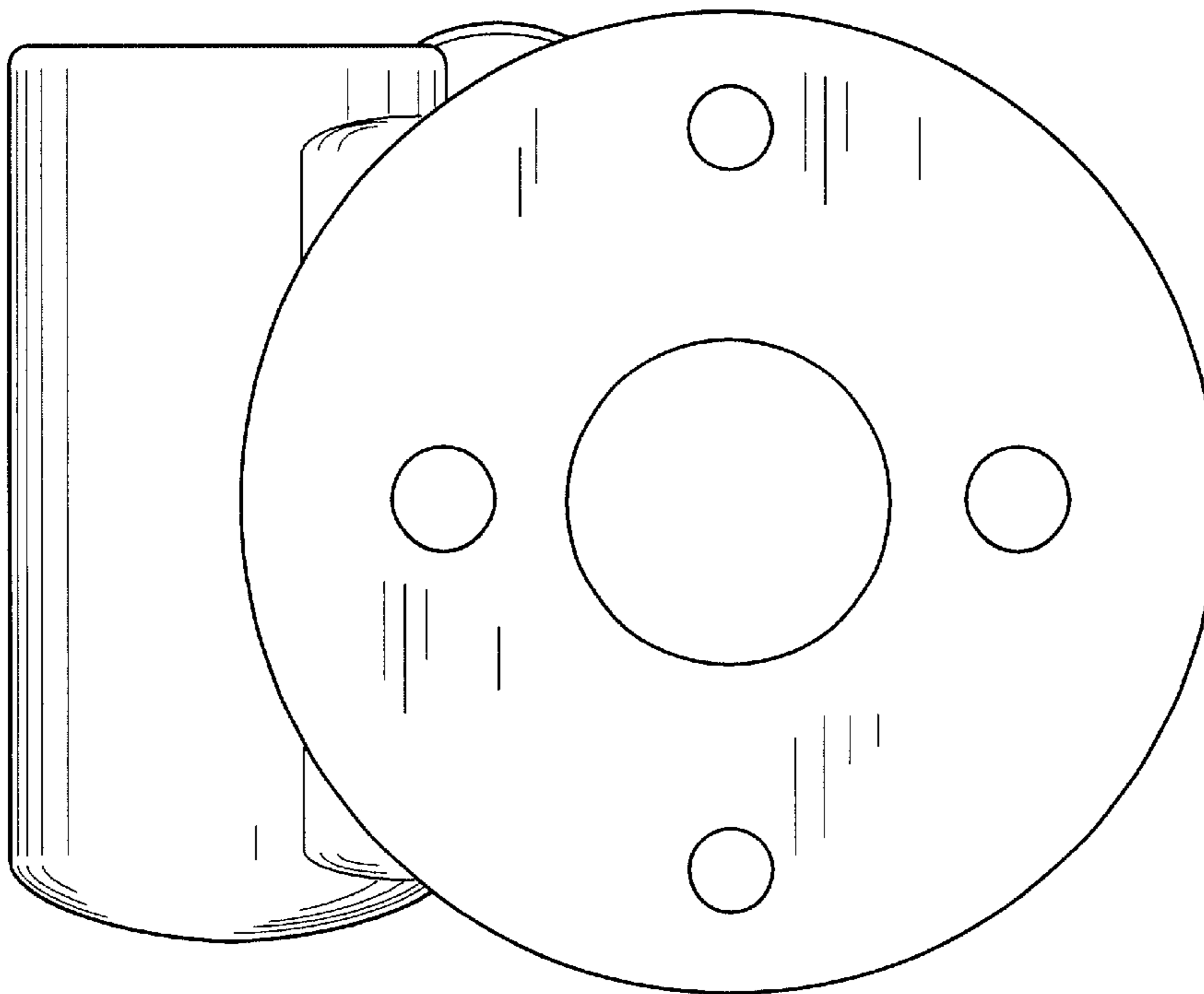


Fig. 7