



US00D522617S

(12) **United States Design Patent**  
**Egee**

(10) **Patent No.:** **US D522,617 S**  
(45) **Date of Patent:** **\*\* \*Jun. 6, 2006**

(54) **BRIDGE-WALL FAUCET**

(75) Inventor: **Paul Egee**, Southbury, CT (US)

(73) Assignee: **American Standard International Inc.**, New York, NY (US)

(\* ) Notice: This patent is subject to a terminal disclaimer.

(\*\*) Term: **14 Years**

(21) Appl. No.: **29/213,384**

(22) Filed: **Sep. 16, 2004**

(51) **LOC (8) Cl.** ..... **23-01**

(52) **U.S. Cl.** ..... **D23/241; D23/242**

(58) **Field of Classification Search** ..... **D23/238-257; 4/675-678; 137/801**

See application file for complete search history.

(56) **References Cited**

**U.S. PATENT DOCUMENTS**

D65,364 S	*	8/1924	Bickley	.....	D23/240
D77,024 S	*	11/1928	Mueller	.....	D23/240
D312,118 S	*	11/1990	Son	.....	D23/238
D410,069 S	*	5/1999	Lobermeier	.....	D23/243
D476,063 S	*	6/2003	Haug et al.	.....	D23/238

**OTHER PUBLICATIONS**

American Standard Heritage Two-Handle Wall-Mount Sink Faucet 2001, printed Apr. 22, 2005 from www.faucet.com.\*

\* cited by examiner

*Primary Examiner*—Louis S. Zarfaz

*Assistant Examiner*—Gregory Andoll

(57) **CLAIM**

The ornamental design for a bridge-wall faucet, as shown and described.

**DESCRIPTION**

FIG. 1 is a perspective view of a bridge-wall faucet showing my new design;

FIG. 2 is a front elevational view thereof;

FIG. 3 is a top plan view thereof;

FIG. 4 is a left side elevational view thereof, the right side view being a mirror image of the left side;

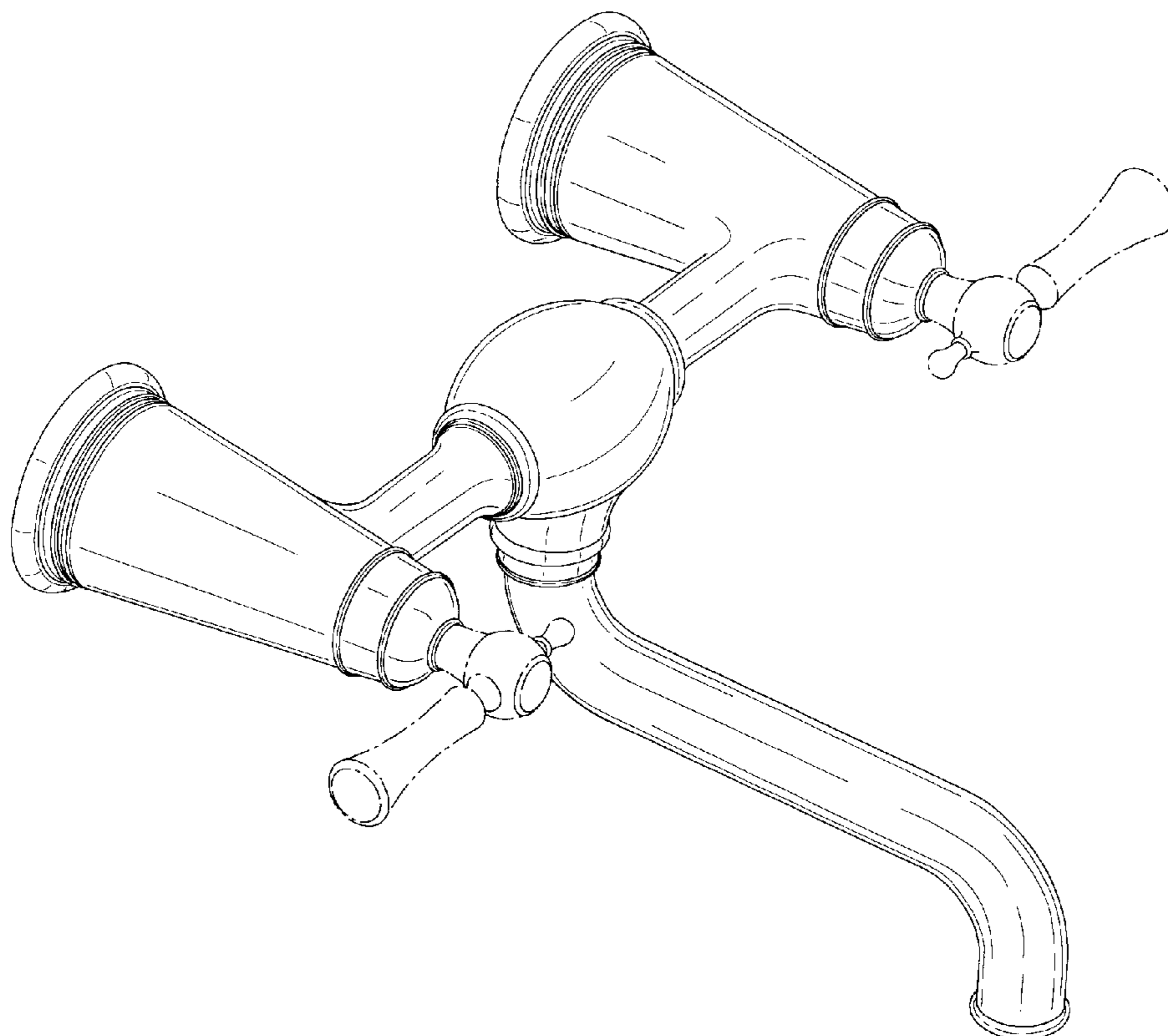
FIG. 5 is a bottom plan view;

FIG. 6 is a rear elevational view thereof; and,

FIG. 7 is a perspective view of a bridge-wall faucet showing an alternative handle design.

The broken lines in the Figures are for illustrative purposes only and form no part of the claimed design.

**1 Claim, 7 Drawing Sheets**



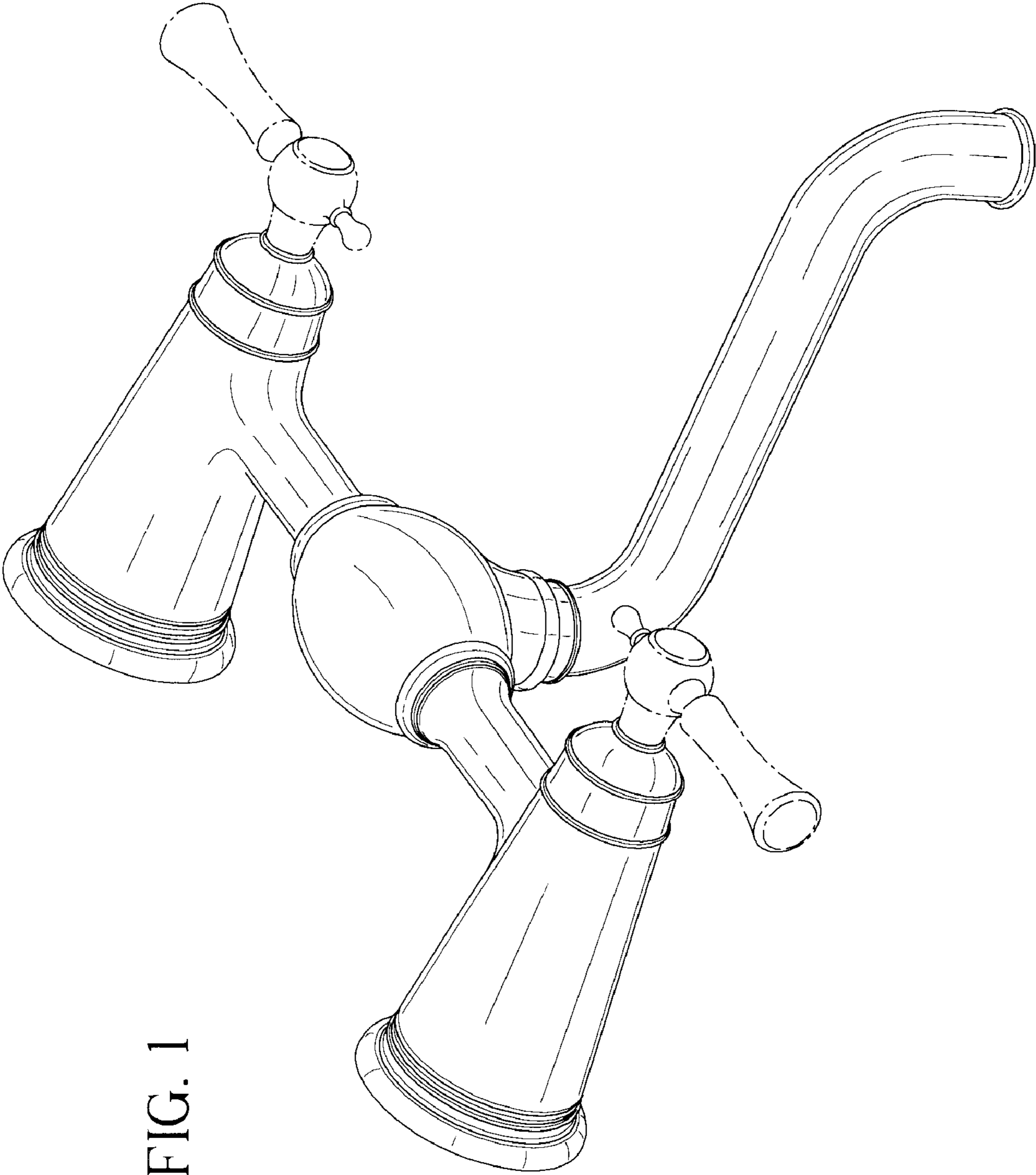


FIG. 1

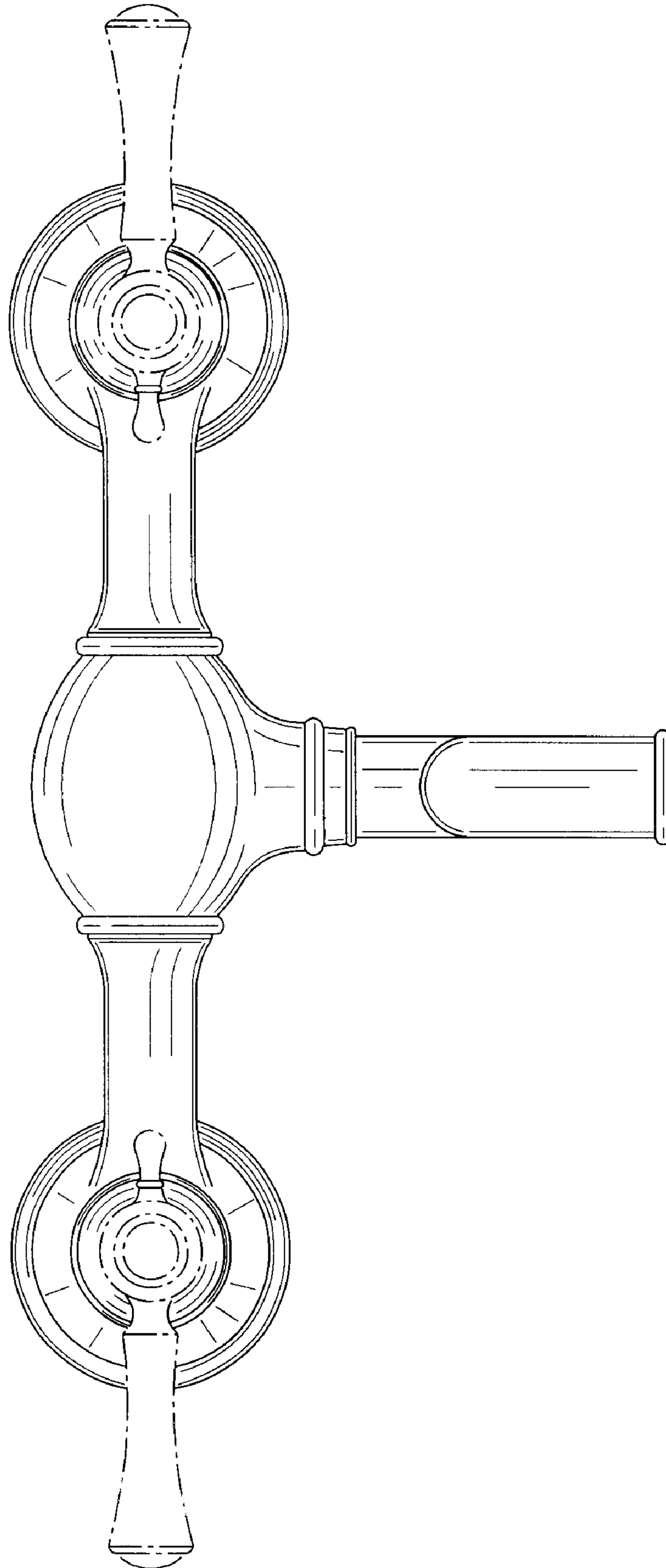


FIG. 2

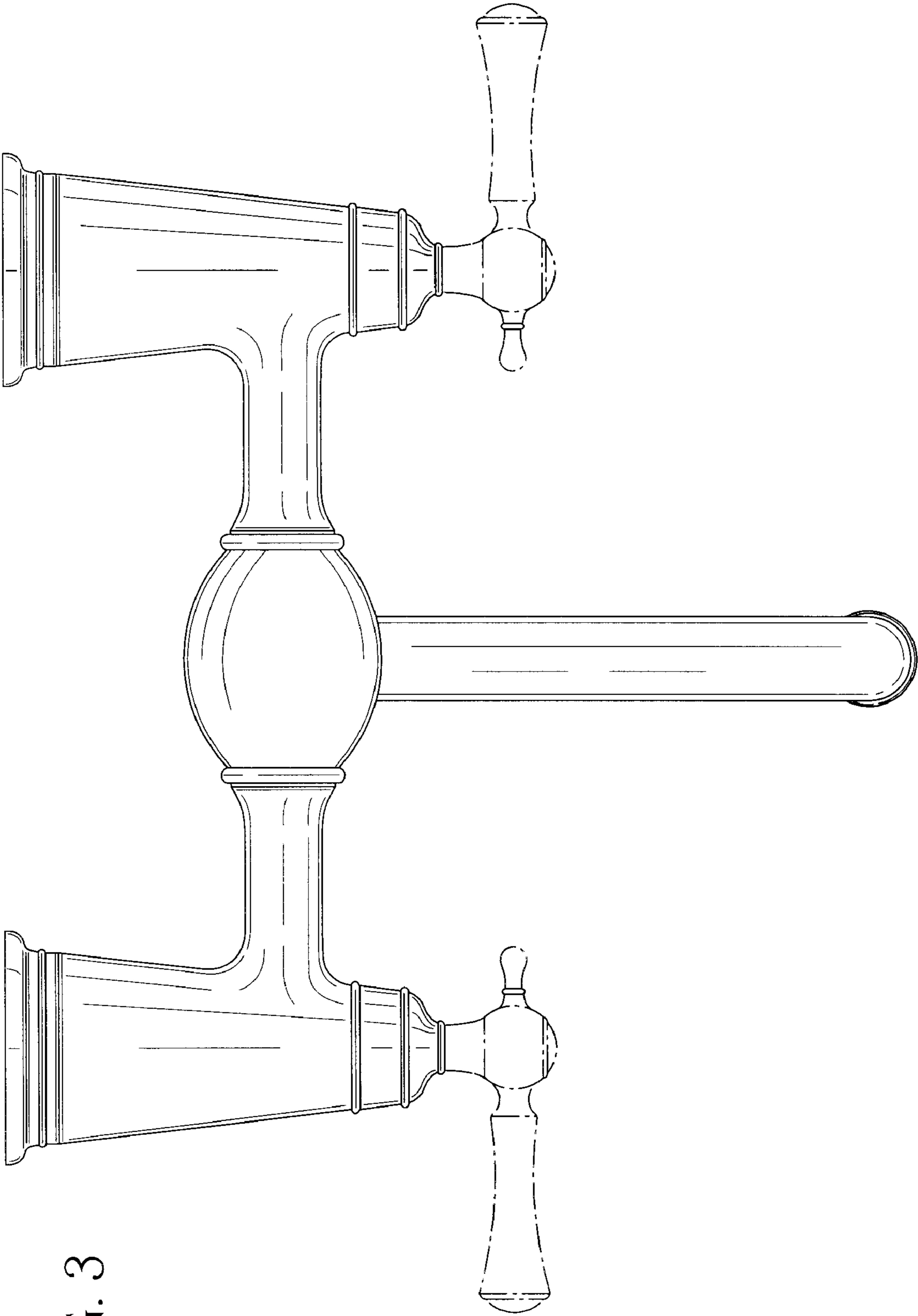
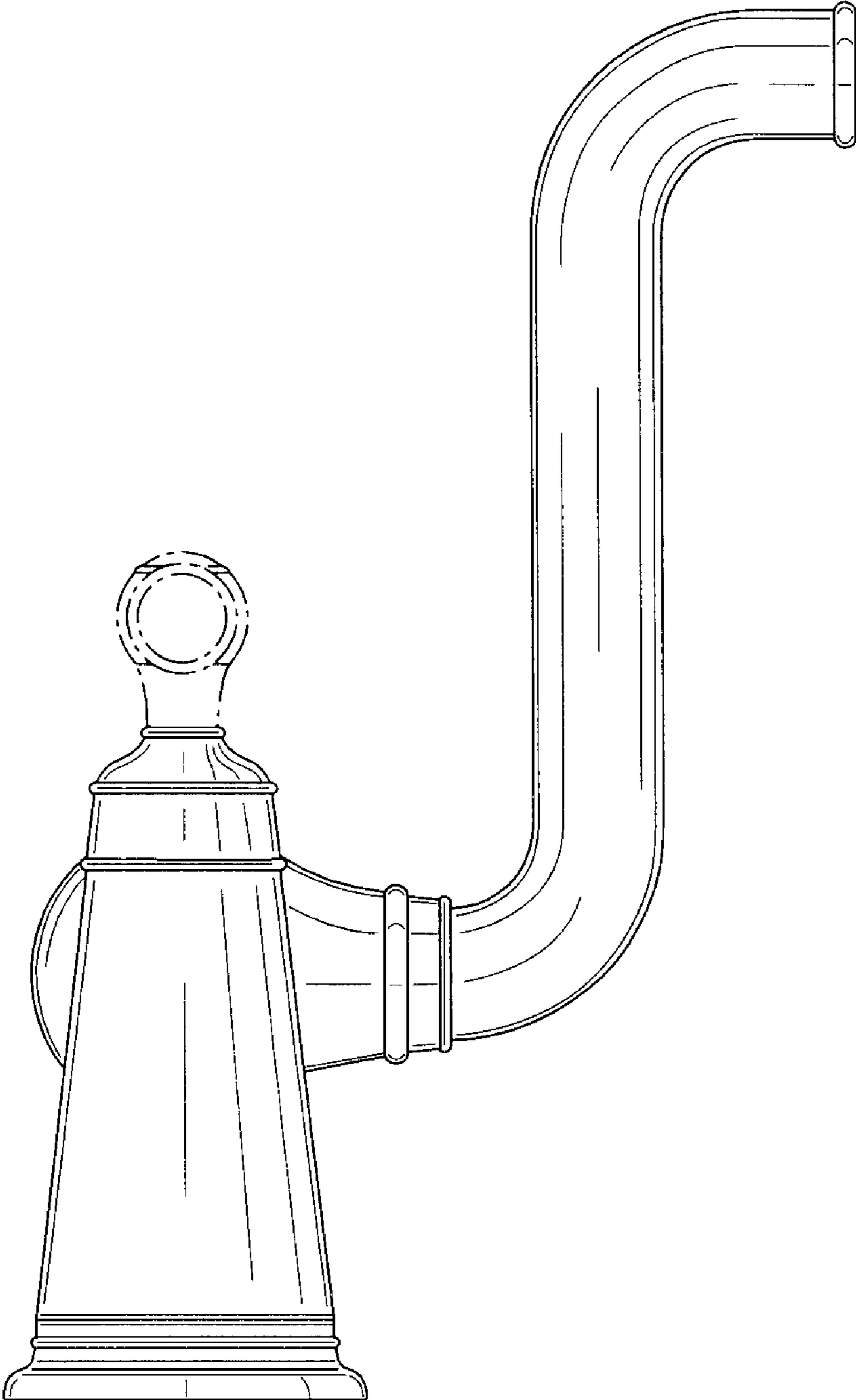


FIG. 3

FIG. 4



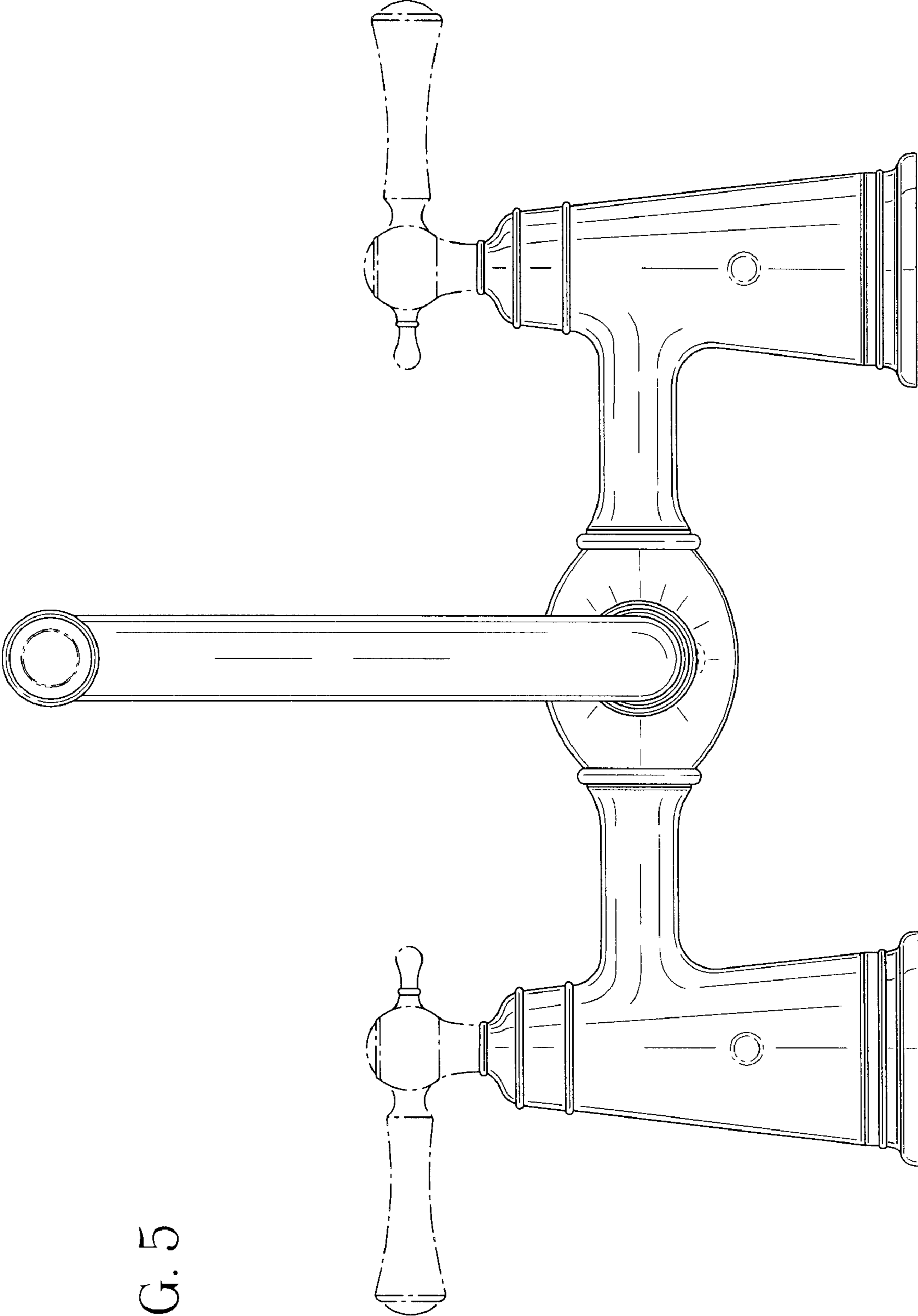


FIG. 5

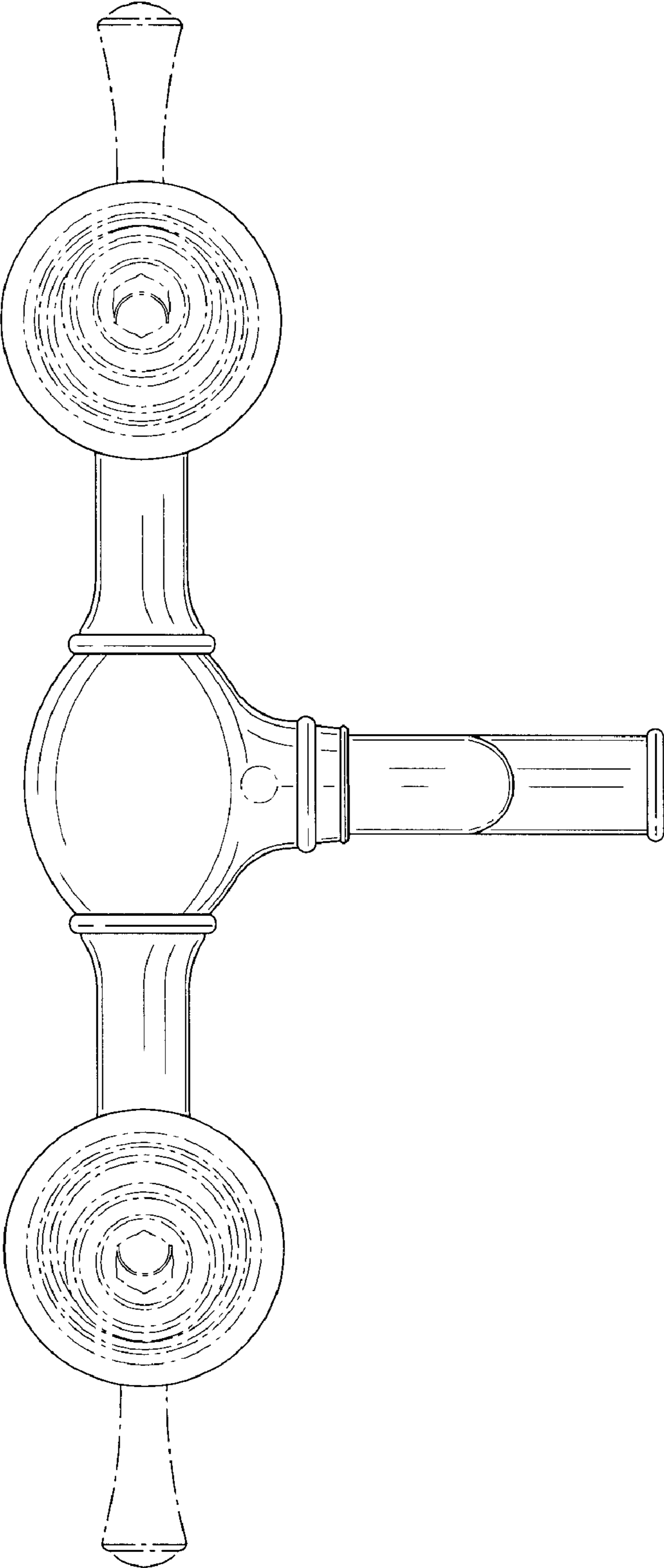


FIG. 6

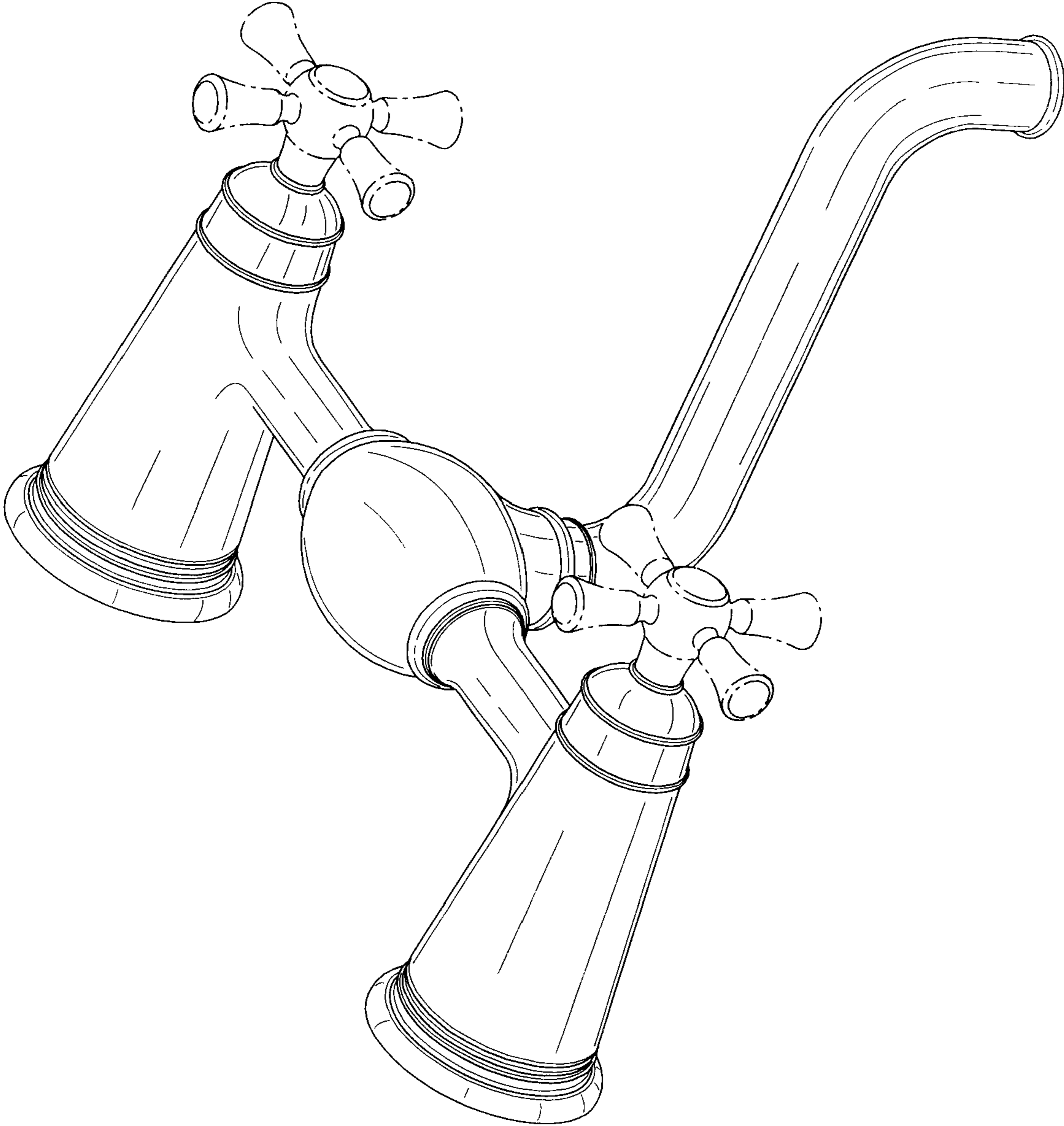


FIG. 7