



US00D522616S

(12) **United States Design Patent**
Minnick et al.

(10) **Patent No.:** **US D522,616 S**
(45) **Date of Patent:** **** Jun. 6, 2006**

(54) **PLUMBING ADAPTOR FOR AIR ADMITTANCE VALVE**

D454,940 S * 3/2002 Hoenig D23/259
D470,577 S * 2/2003 Knight et al. D23/266

(75) Inventors: **Michael W. Minnick**, Westlake, OH (US); **Michael E. Schindley**, Medina Township, OH (US)

OTHER PUBLICATIONS

RectorSeal Air Admittance Valves literature, 2 pages, date unknown.

(73) Assignee: **Oatey Co.**, Cleveland, OH (US)

* cited by examiner

(**) Term: **14 Years**

Primary Examiner—Ian Simmons

Assistant Examiner—Maurice Stevens

(21) Appl. No.: **29/216,351**

(74) *Attorney, Agent, or Firm*—Renner, Otto, Boisselle & Sklar, LLP

(22) Filed: **Nov. 2, 2004**

(51) **LOC (8) Cl.** **23-01**

(57) **CLAIM**

(52) **U.S. Cl.** **D23/233**

The ornamental design for a plumbing adaptor for air admittance valve, as shown and described.

(58) **Field of Classification Search** D23/233–257,
D23/262–263, 266; D8/350–353; 4/675–678;
137/801

DESCRIPTION

See application file for complete search history.

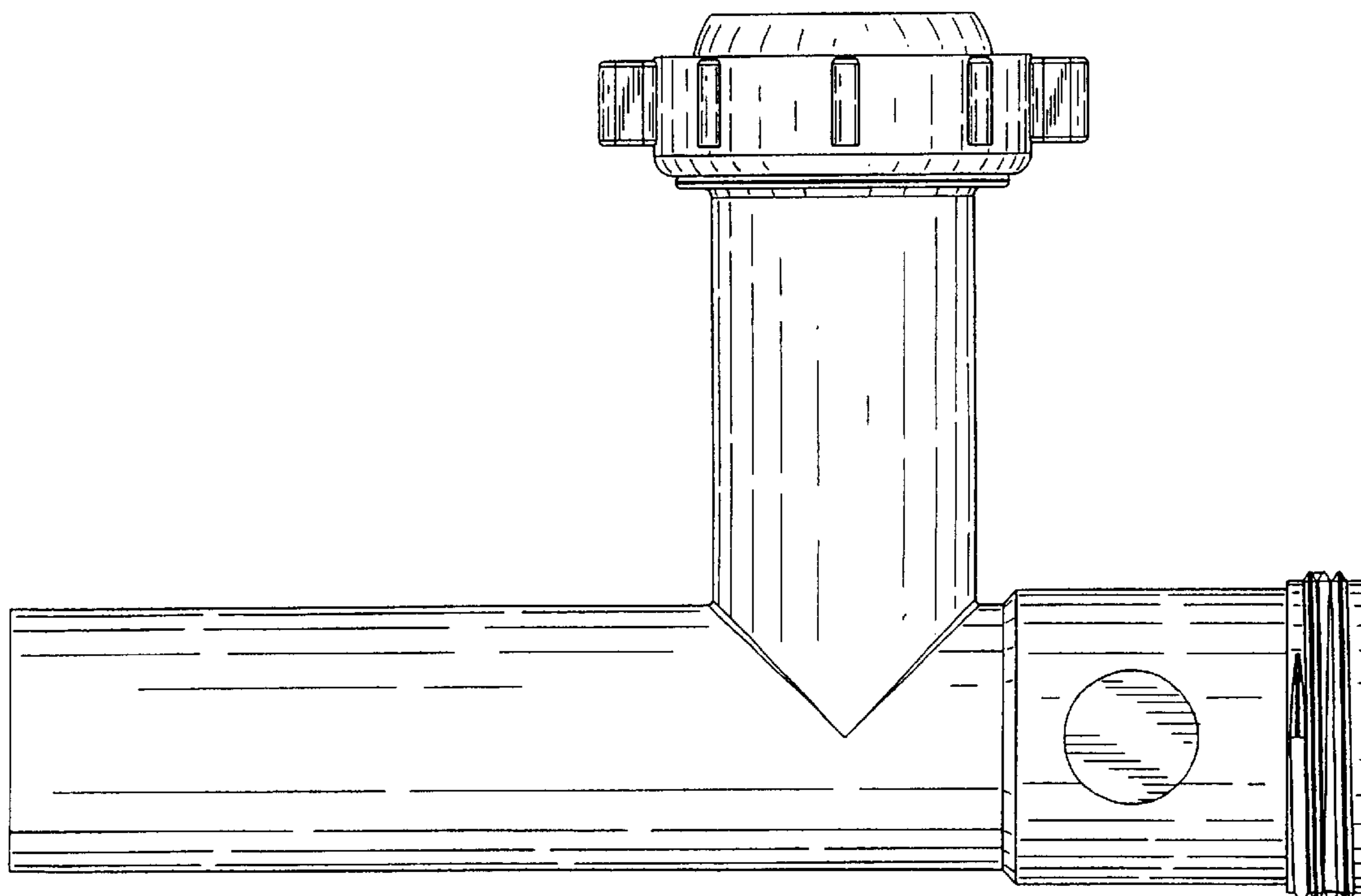
FIG. 1 is a front side elevation view of a plumbing adaptor showing our new design, the back side being a mirror image; FIG. 2 is a top plan view thereof; FIG. 3 is a bottom plan view thereof; FIG. 4 is a right end elevation view thereof; and, FIG. 5 is a left end elevation view thereof.

(56) **References Cited**

U.S. PATENT DOCUMENTS

2,121,558 A * 6/1938 Coe et al. 29/890.15
D343,889 S * 2/1994 Stonecypher D23/263
D395,485 S * 6/1998 Deaso, Sr. D23/245
D431,634 S * 10/2000 Mantz D23/263

1 Claim, 3 Drawing Sheets



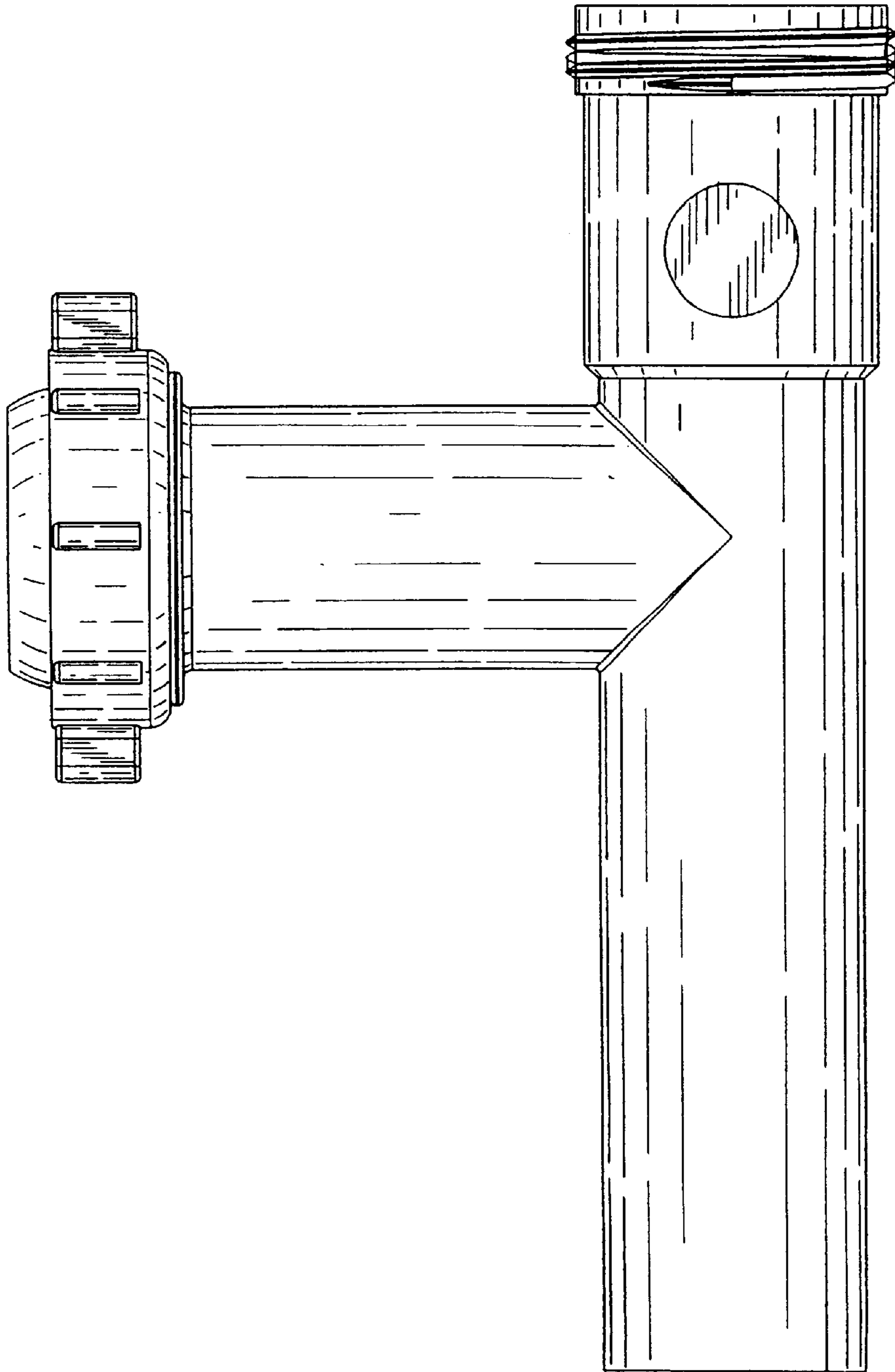


FIG. 1

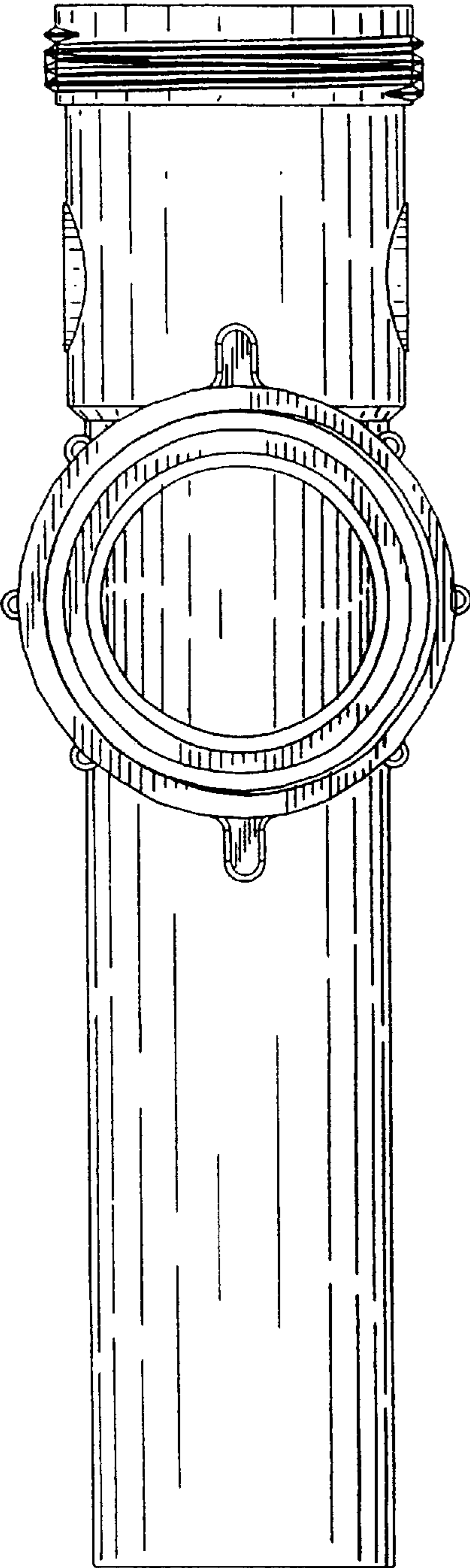


FIG. 2

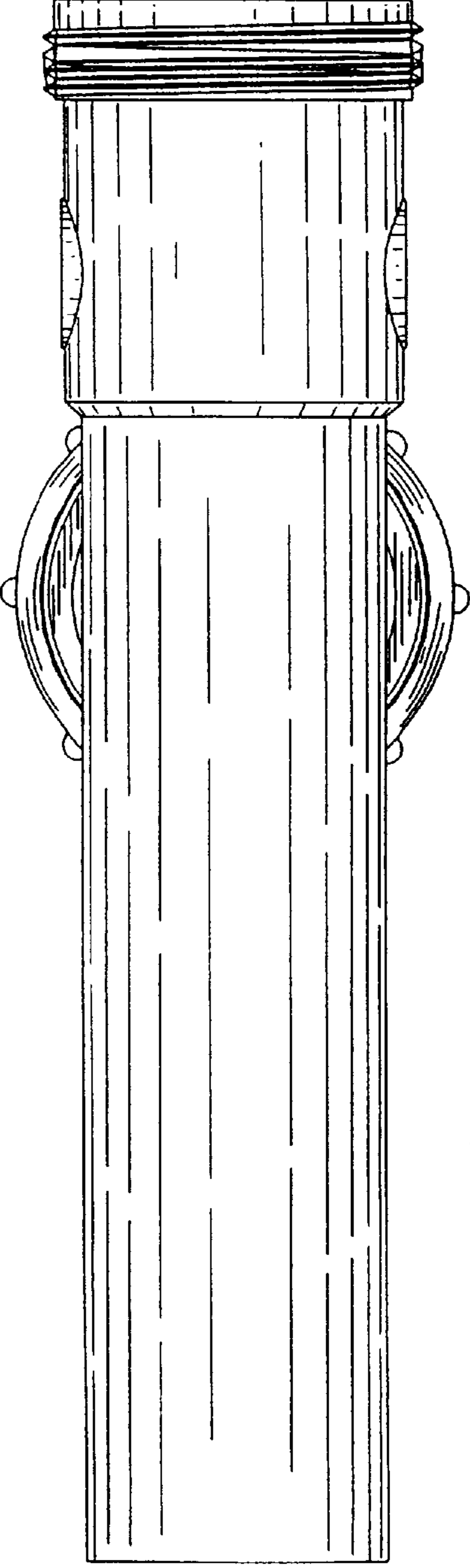


FIG. 3

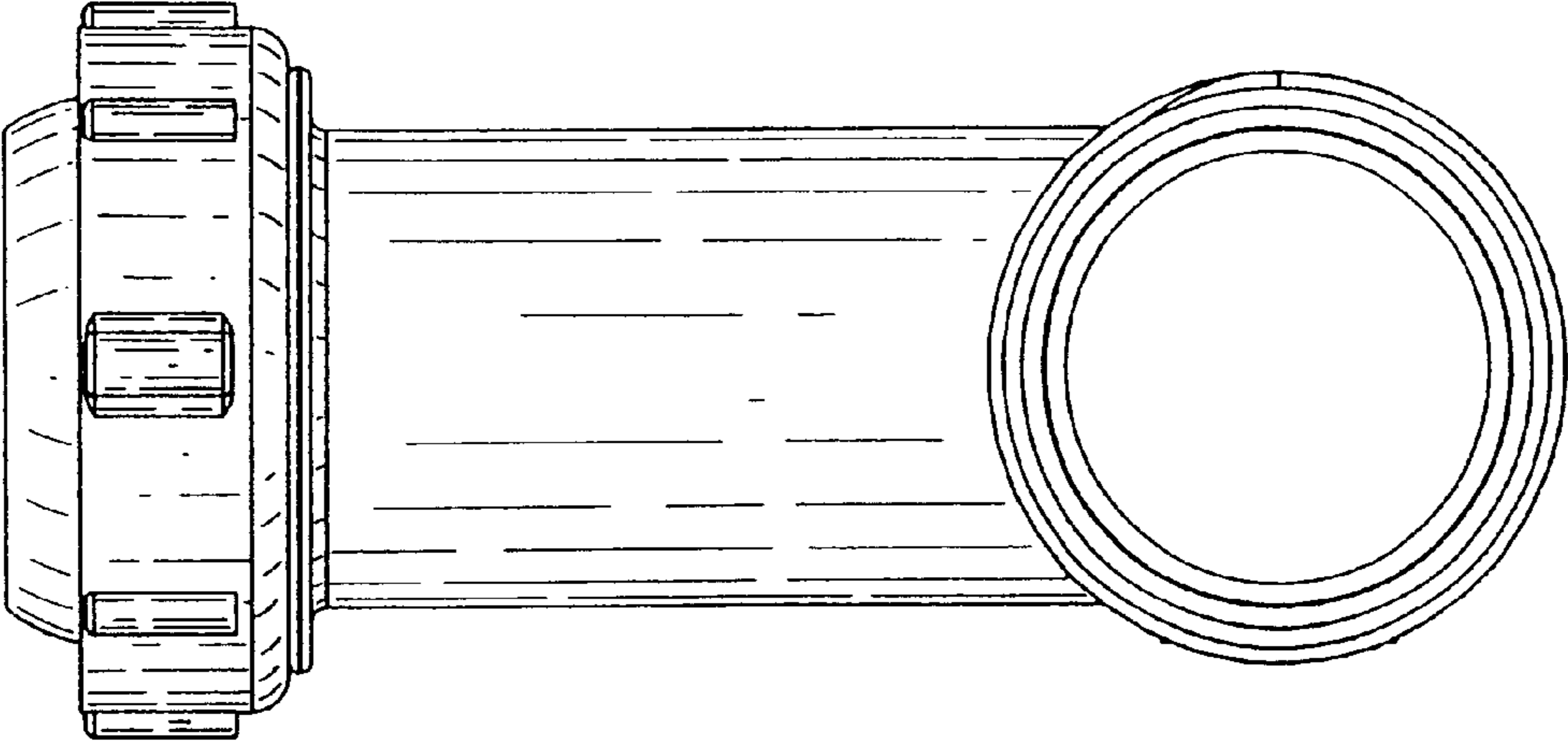


FIG. 4

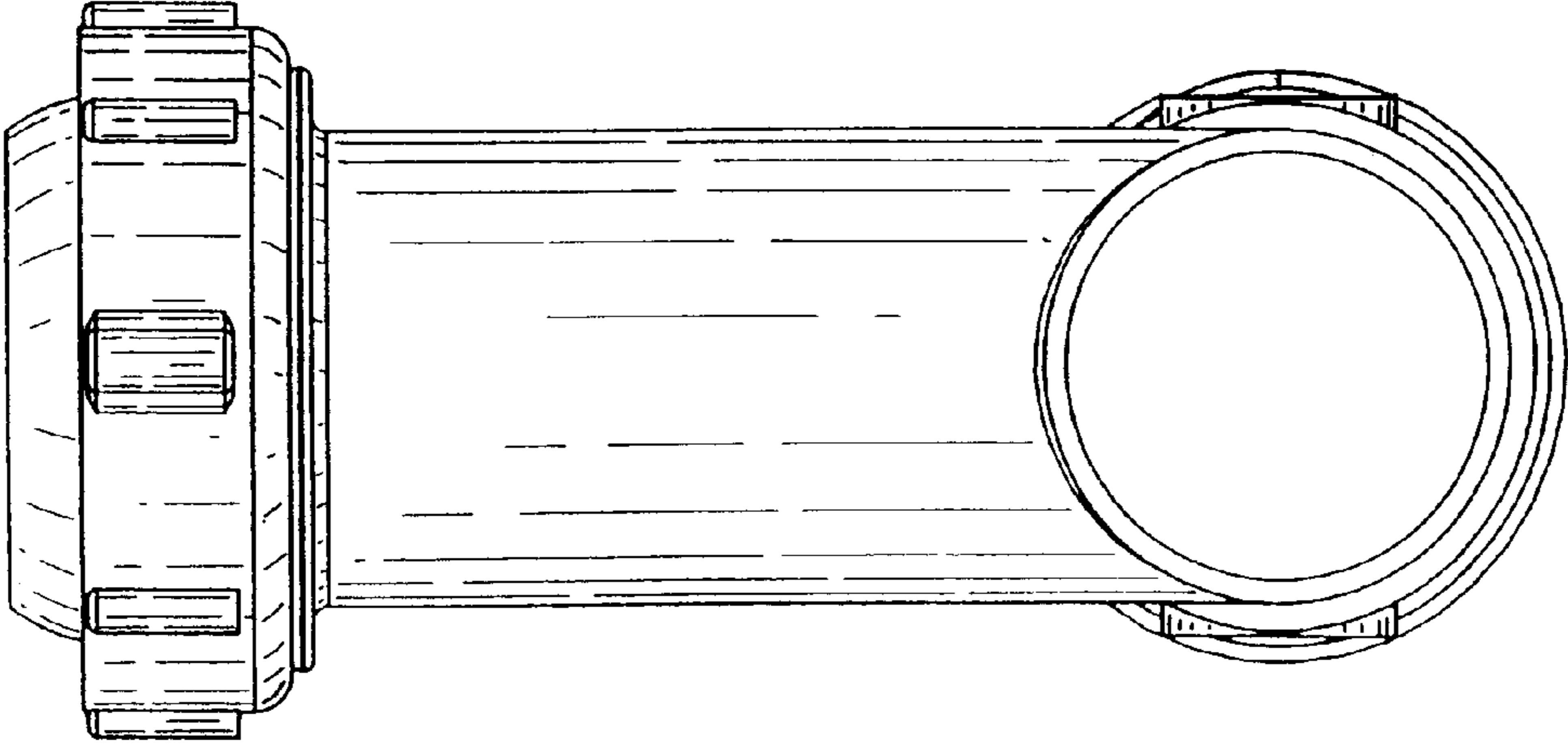


FIG. 5