



US00D522615S

(12) **United States Design Patent** (10) **Patent No.:** **US D522,615 S**
Kleffmann et al. (45) **Date of Patent:** **** Jun. 6, 2006**

(54) **SERVICE UNIT**

(75) Inventors: **Jan Kleffmann**, Esslingen (DE);
Karoline Schmidt, Esslingen (DE)

(73) Assignee: **Festo AG & Co.**, Esslingen (DE)

(**) Term: **14 Years**

(21) Appl. No.: **29/214,452**

(22) Filed: **Oct. 1, 2004**

(30) **Foreign Application Priority Data**

Apr. 7, 2004 (EM) 162722

(51) **LOC (8) Cl.** **23-01**

(52) **U.S. Cl.** **D23/233**

(58) **Field of Classification Search** D23/233-237,
D23/244-249; D15/7; 307/11, 42; 137/557,
137/549

See application file for complete search history.

(56) **References Cited**

U.S. PATENT DOCUMENTS

D277,024 S *	1/1985	Fechtner et al.	D23/245
D400,211 S	10/1998	Thallemer et al.		
D402,023 S	12/1998	Thallemer et al.		
D426,616 S *	6/2000	Hui-Chen	D23/233
6,169,338 B1	1/2001	Stoll et al.		
D494,252 S *	8/2004	Kline	D23/233
2004/0051381 A1 *	3/2004	Garner et al.	307/11

OTHER PUBLICATIONS

Products Catalog 2001, Compressed Air Preparation/Tubing and Fittings, Festo AG & Co., vol. 3, 2001 Issue, 36th Edition.

* cited by examiner

Primary Examiner—Ian Simmons

Assistant Examiner—Maurice Stevens

(74) *Attorney, Agent, or Firm*—Hoffmann & Baron, LLP

(57) **CLAIM**

The ornamental design for a service unit, as shown and described.

DESCRIPTION

FIG. 1 is a front perspective view of a service unit showing our new design;

FIG. 2 is a top plan view thereof;

FIG. 3 is a front elevational view thereof;

FIG. 4 is a left side elevational view thereof;

FIG. 5 is a right side elevational view thereof opposite to that shown in FIG. 4;

FIG. 6 is a bottom plan view thereof; and,

FIG. 7 is a back elevational view thereof opposite to that shown in FIG. 3.

The subject matter shown in broken lines is for illustrative purposes only and forms no part of the claimed design.

1 Claim, 7 Drawing Sheets

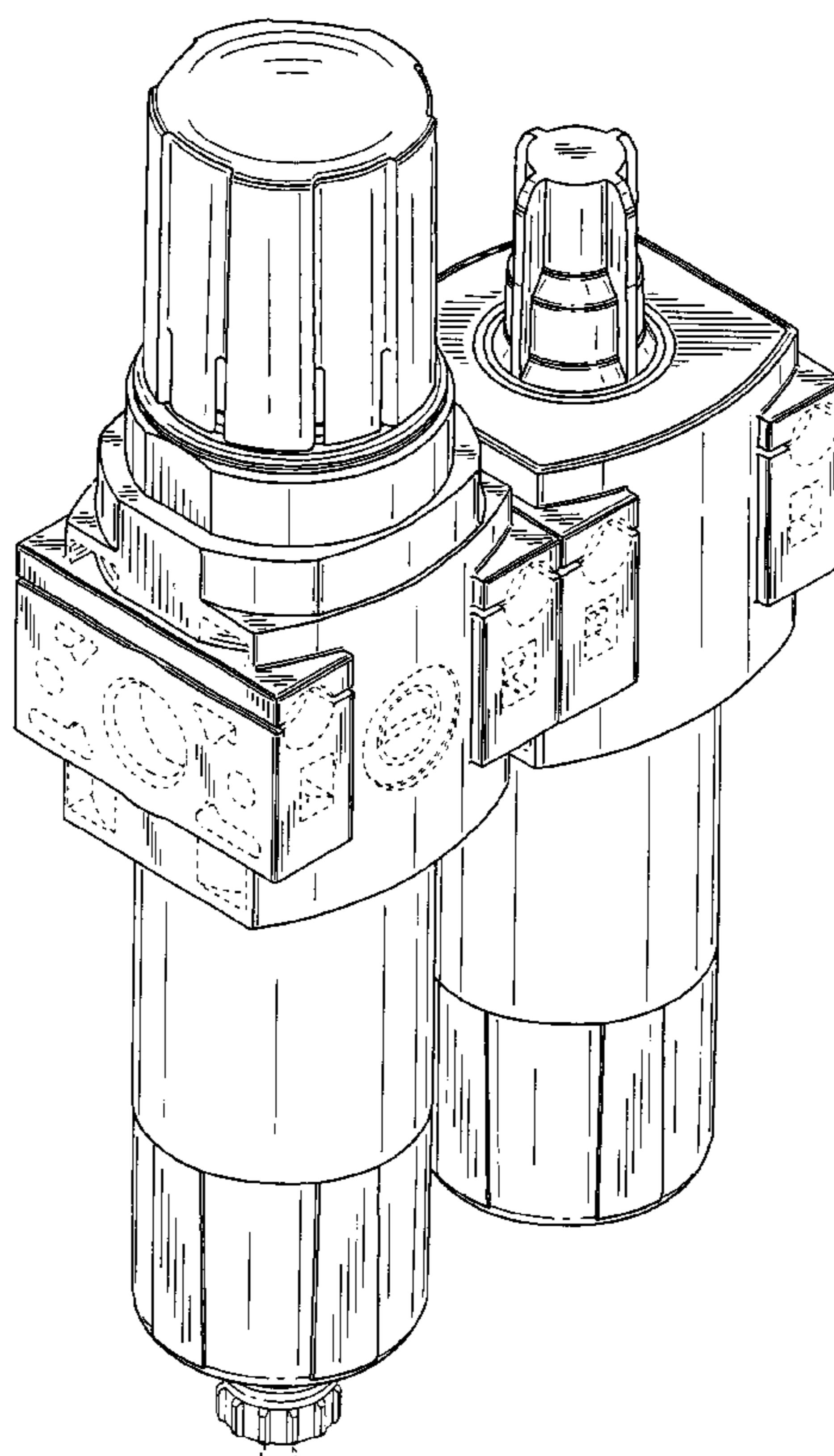


FIG. 1

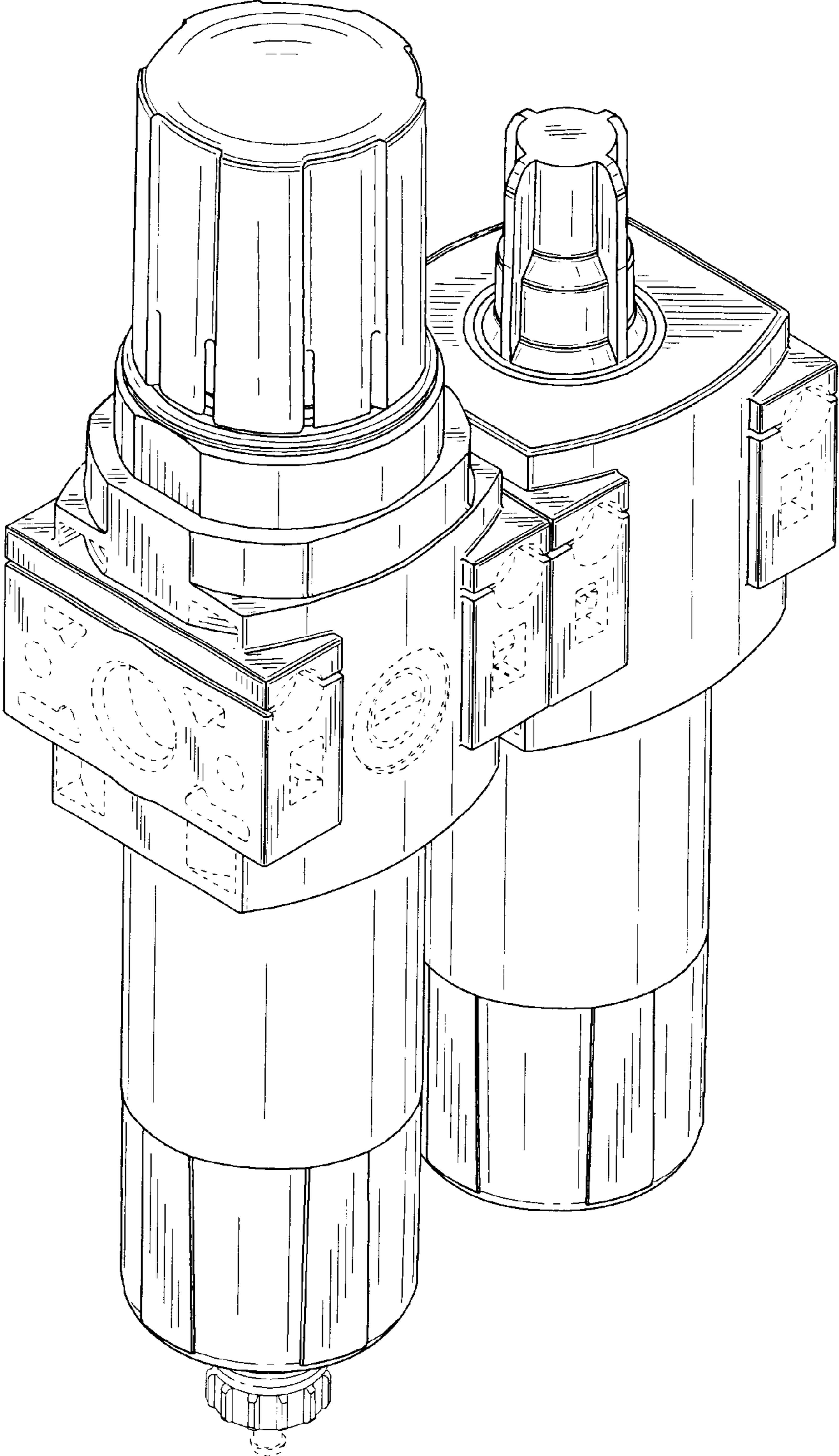


FIG. 2

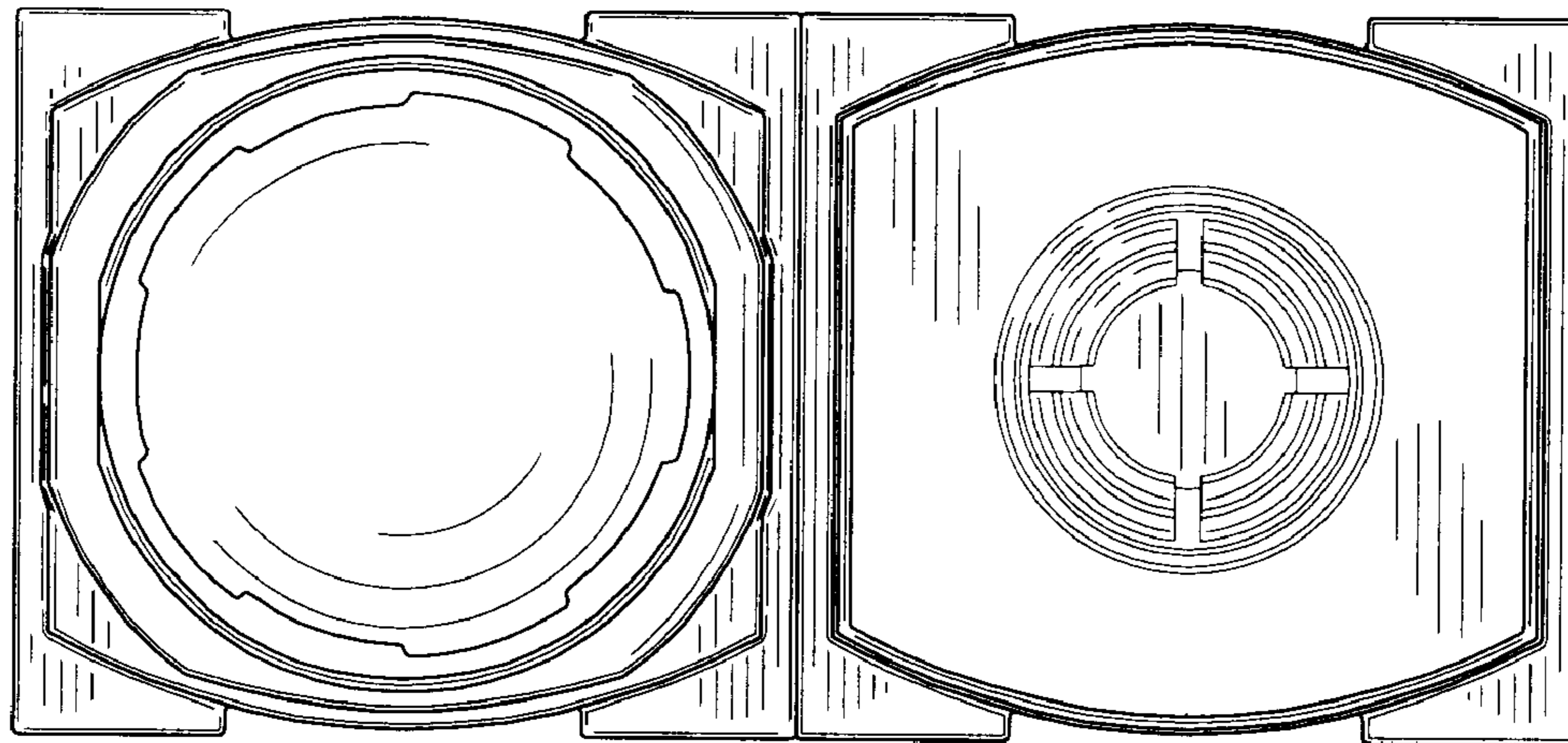


FIG. 3

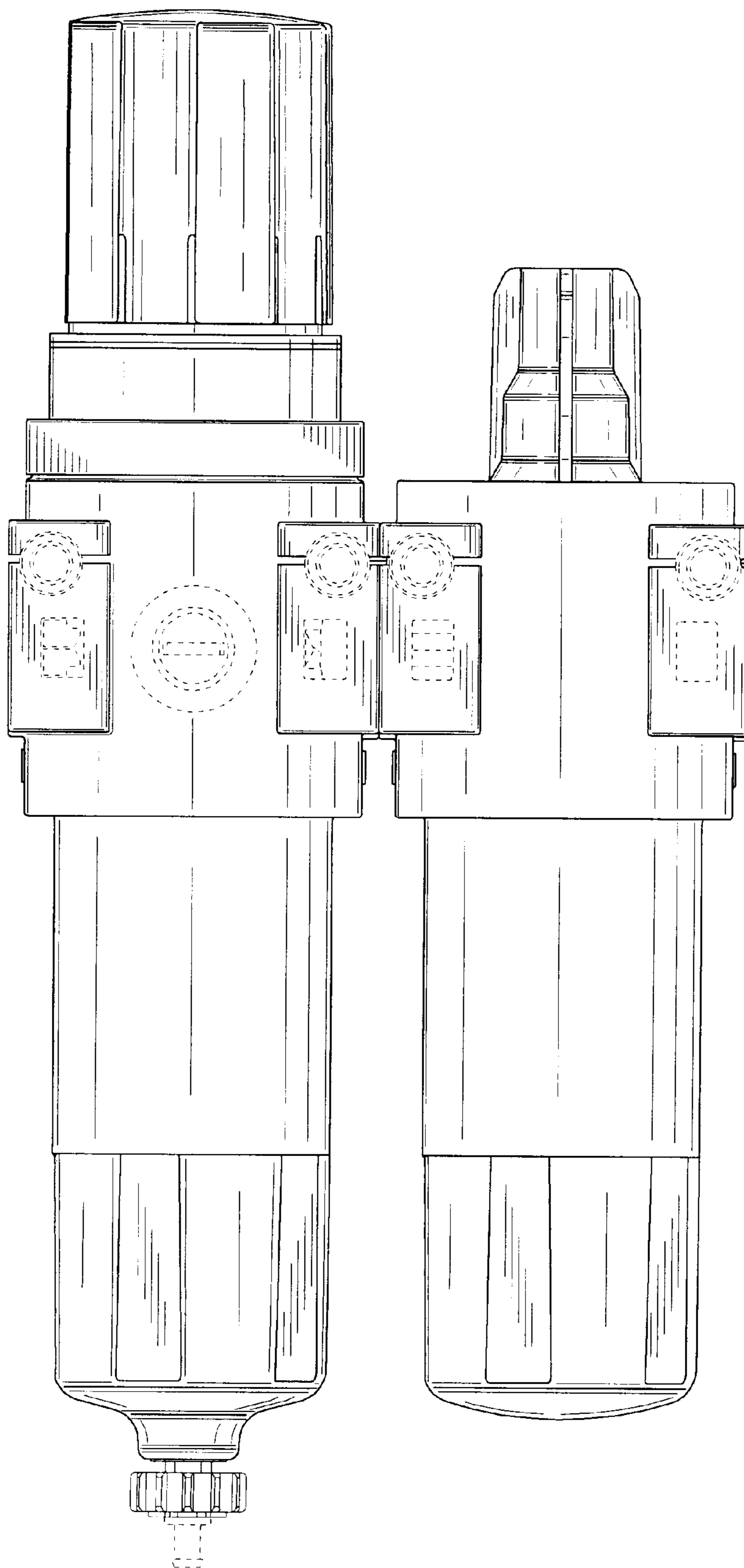


FIG. 4

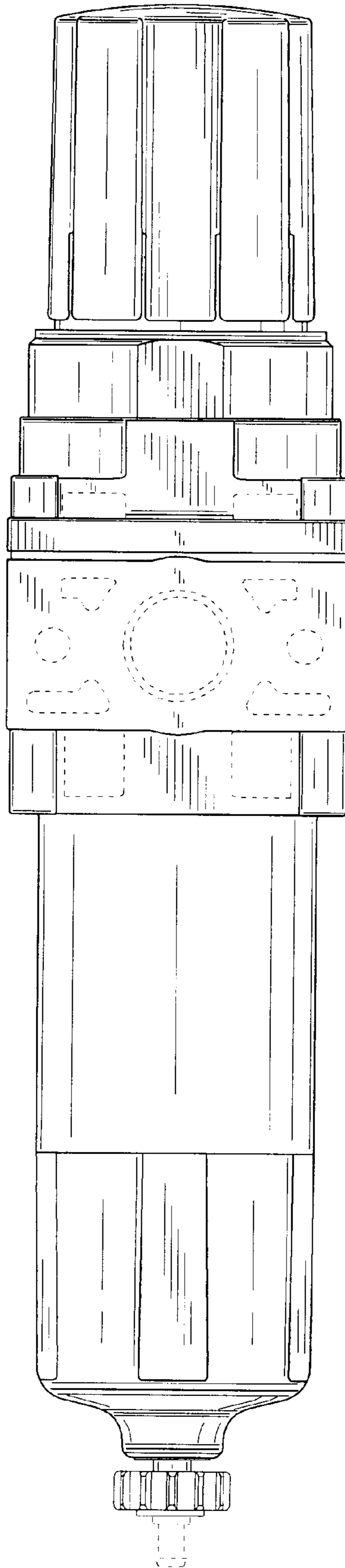


FIG. 5

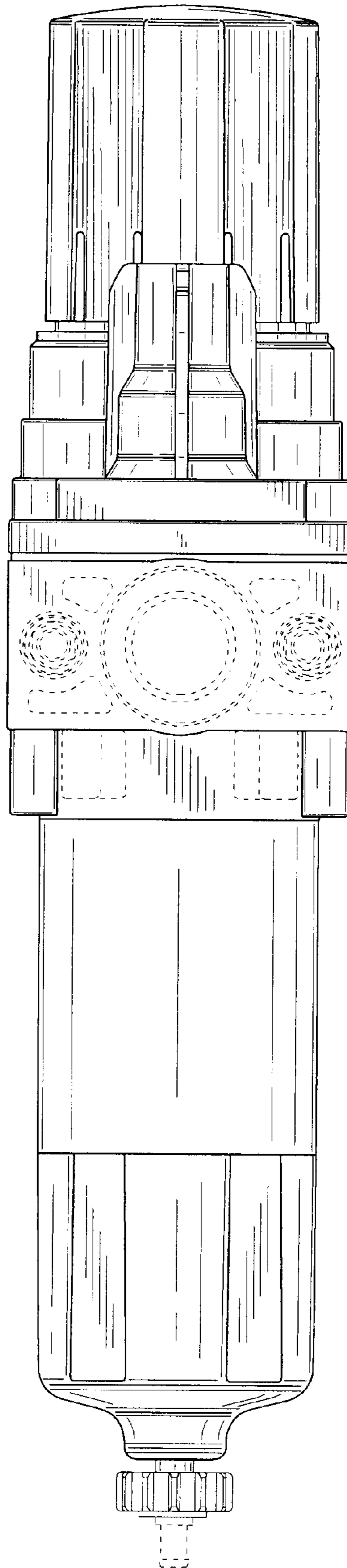


FIG. 6

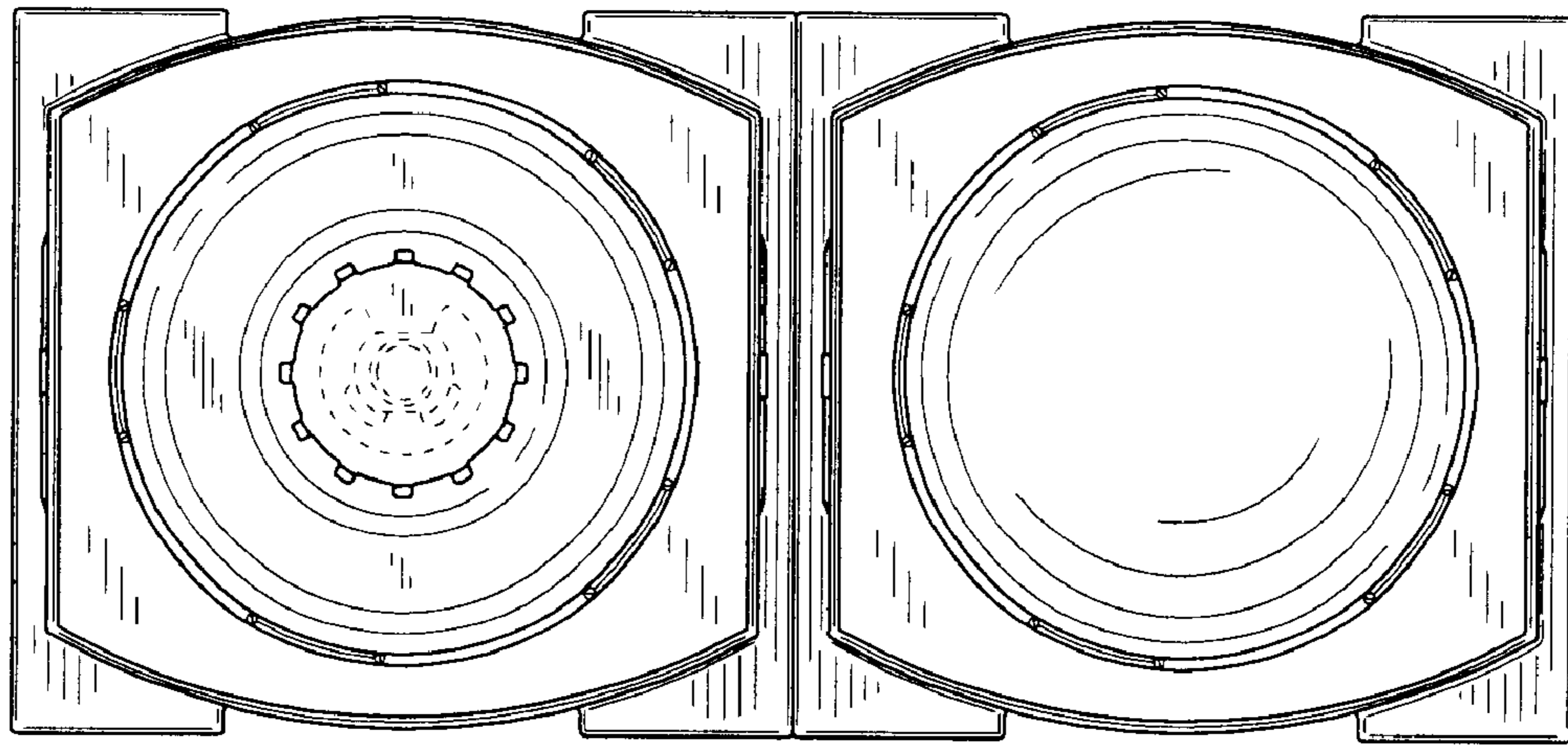


FIG. 7

