

US00D522614S

(12) **United States Design Patent**  
**Ko**

(10) **Patent No.:** **US D522,614 S**

(45) **Date of Patent:** **\*\* Jun. 6, 2006**

(54) **SPRINKLER HEAD**

(75) **Inventor:** **Shi Chia Ko**, Changhua Hsien (TW)

(73) **Assignee:** **Chung Cheng Faucet Co., Ltd.**,  
Changhua Hsien (TW)

(\*\*) **Term:** **14 Years**

(21) **Appl. No.:** **29/223,261**

(22) **Filed:** **Feb. 14, 2005**

(51) **LOC (8) Cl.** ..... **23-01**

(52) **U.S. Cl.** ..... **D23/229; D23/213**

(58) **Field of Classification Search** ..... **D23/213,**  
**D23/229, 230; 239/282, 283, 460**

See application file for complete search history.

(56) **References Cited**

**U.S. PATENT DOCUMENTS**

2,948,477 A \* 8/1960 Fraser ..... 239/109  
D295,889 S \* 5/1988 Haug et al. .... D23/229

D409,277 S \* 5/1999 Gottwald ..... D23/229

D417,258 S \* 11/1999 Green et al. .... D23/229

D444,208 S \* 6/2001 Ouano et al. .... D23/229

D509,281 S \* 9/2005 Berghane et al. .... D23/229

\* cited by examiner

*Primary Examiner*—Robin Webster

(74) *Attorney, Agent, or Firm*—Troxell Law Office, PLLC

(57) **CLAIM**

The ornamental design for the “sprinkler head,” as shown and described.

**DESCRIPTION**

FIG. 1 is a perspective view of a sprinkler head showing my new design;

FIG. 2 is a front view thereof;

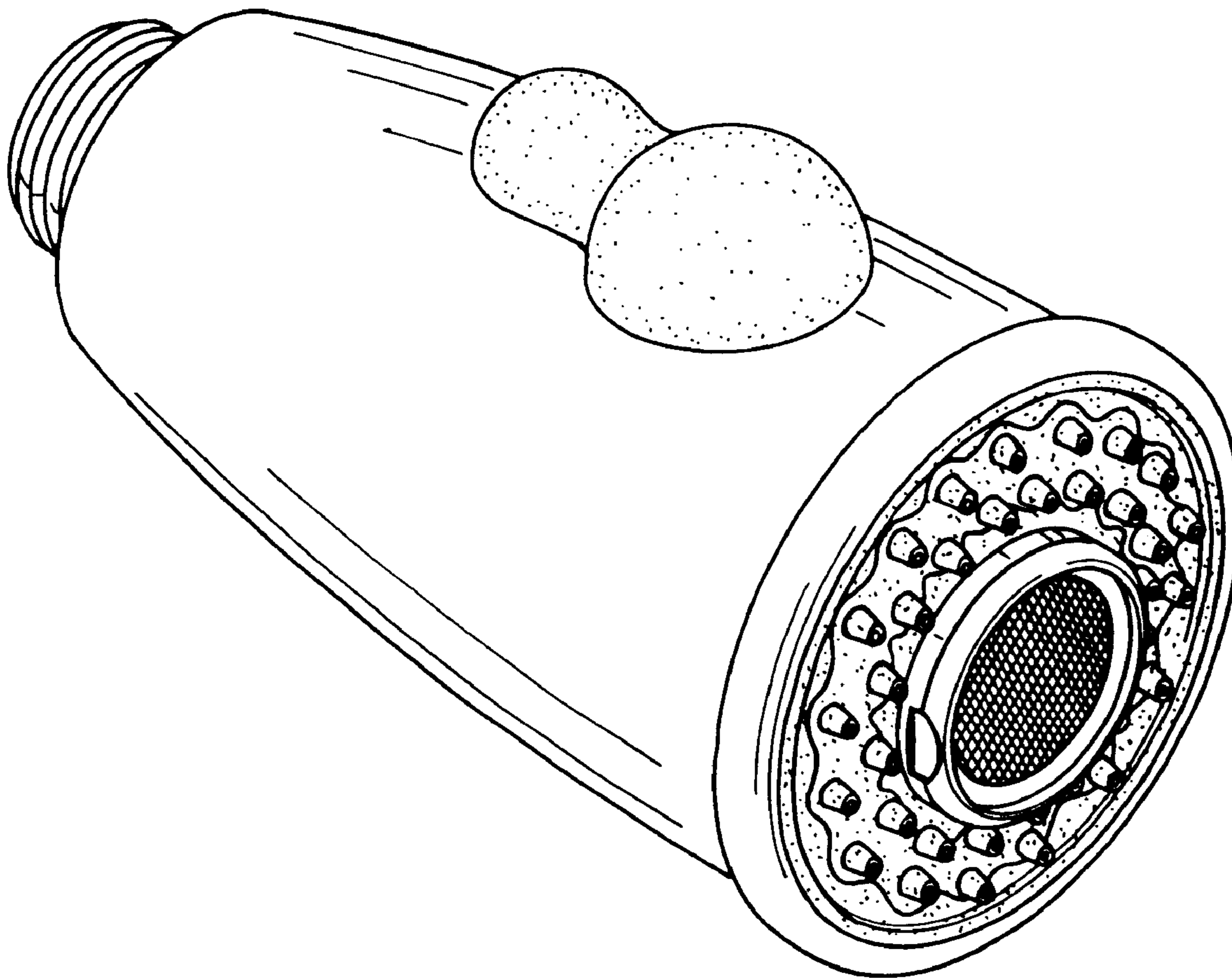
FIG. 3 is a rear view thereof;

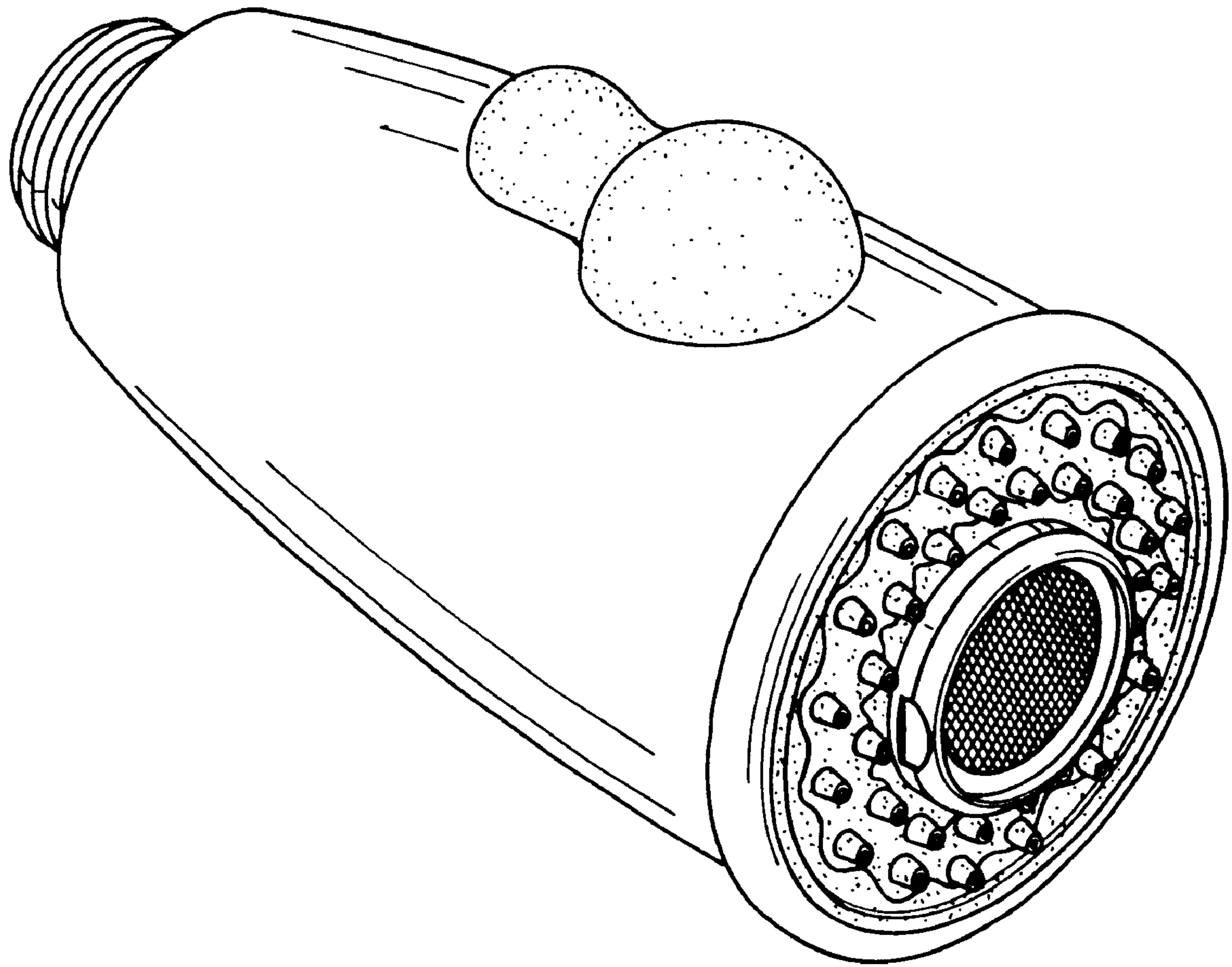
FIG. 4 is a left side and right side view thereof;

FIG. 5 is a top view thereof; and,

FIG. 6 is a bottom view thereof.

**1 Claim, 3 Drawing Sheets**





**FIG. 1**

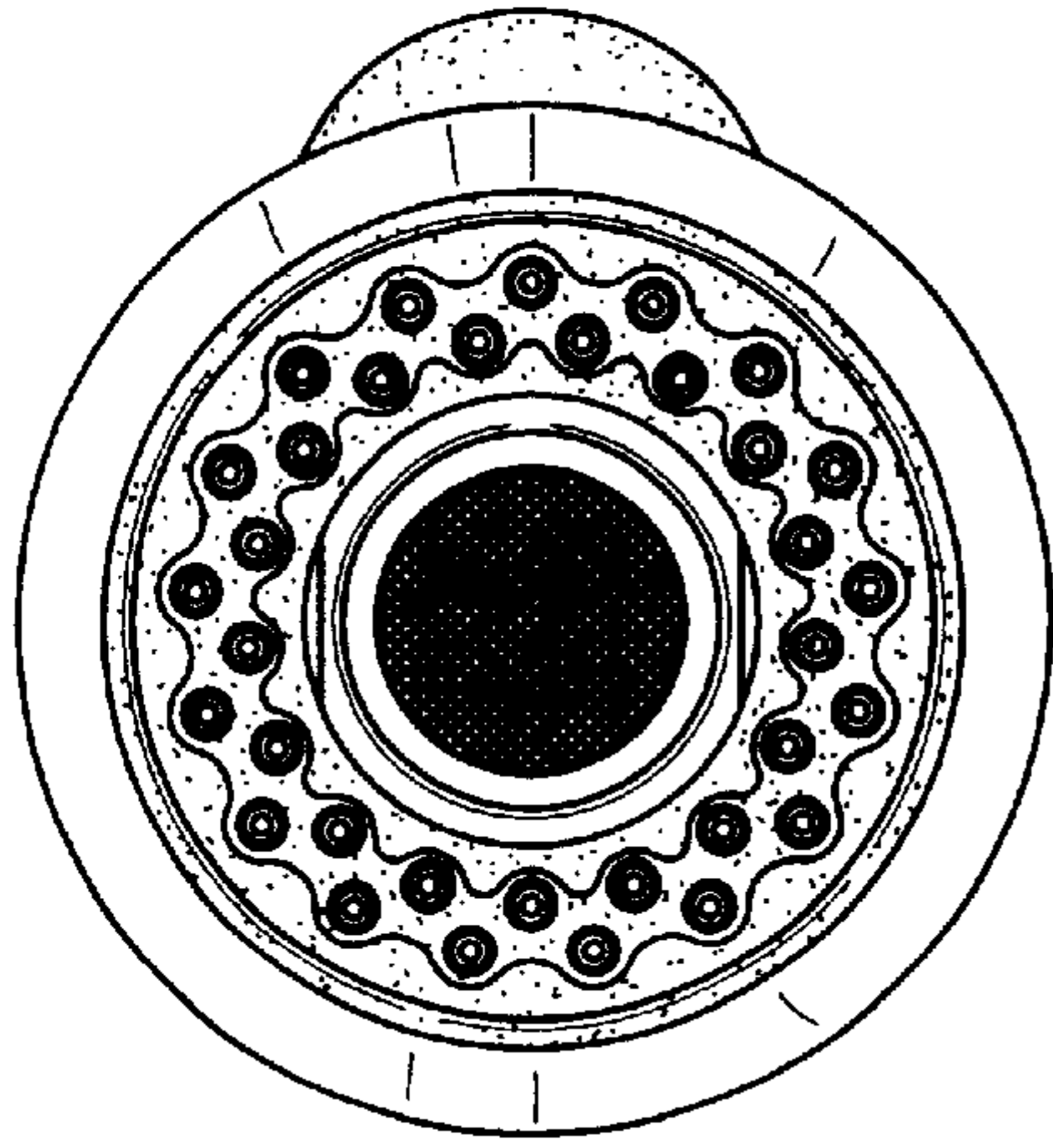


FIG. 2

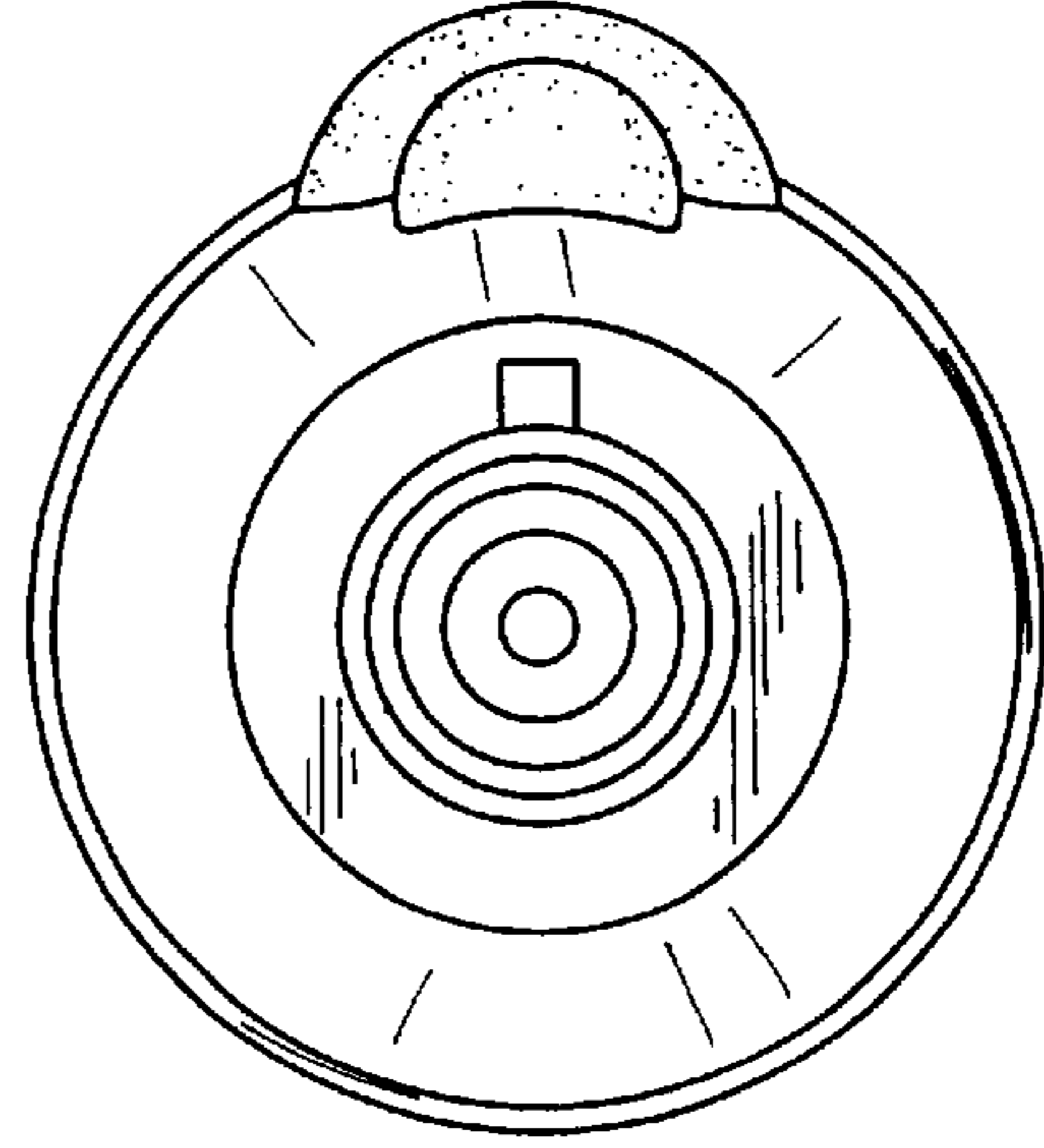


FIG. 3

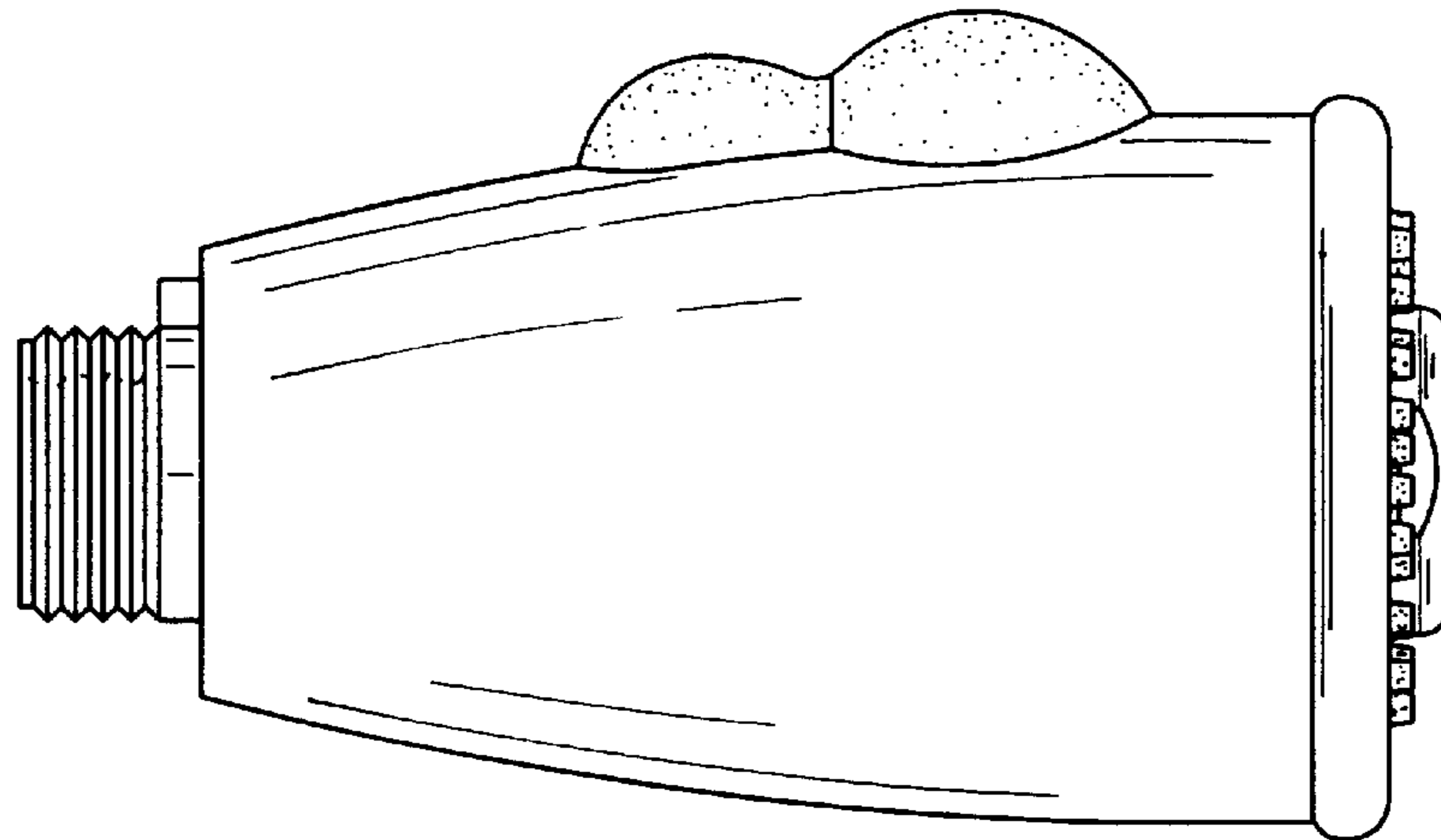


FIG. 4

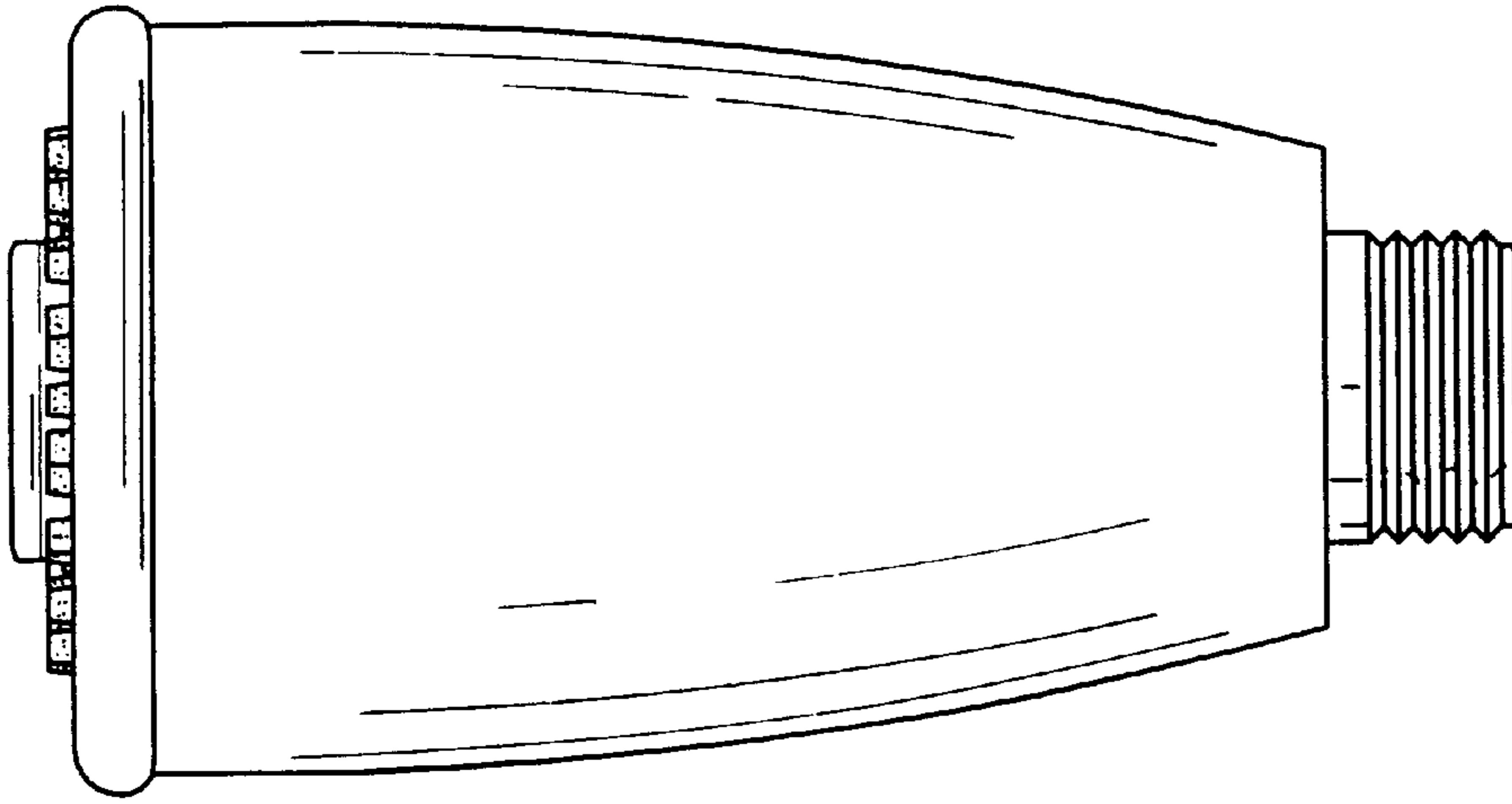


FIG. 6

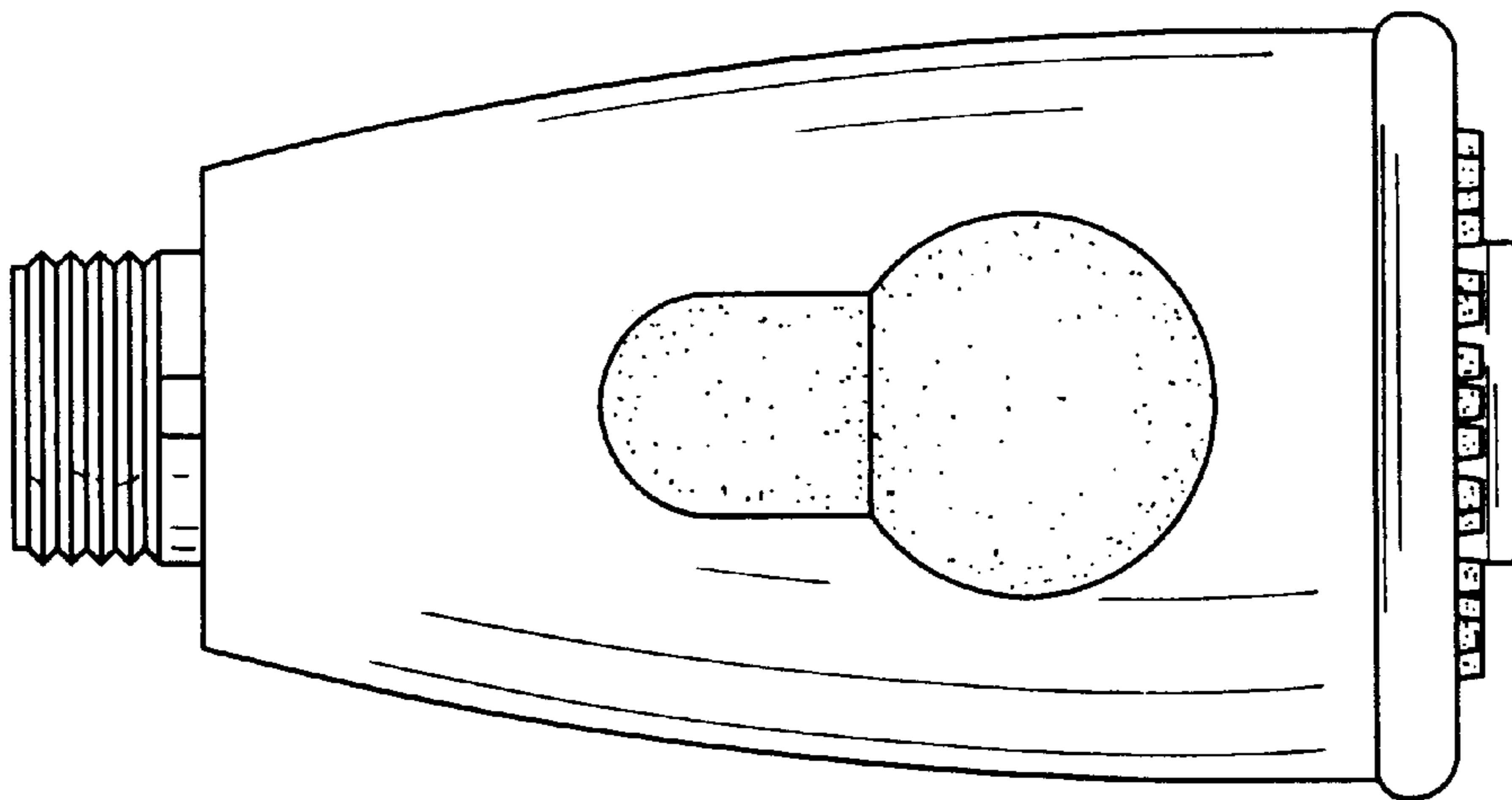


FIG. 5