



US00D522612S

(12) **United States Design Patent**
Eilmus et al.

(10) **Patent No.:** **US D522,612 S**
(45) **Date of Patent:** **** Jun. 6, 2006**

(54) **HANDLE FOR PLUMBING FITTING**

(75) Inventors: **Niels J. Eilmus**, Sheboygan, WI (US);
Kristina J. Genslak, St. Joseph, MI (US)

(73) Assignee: **Kohler Co.**, Kohler, WI (US)

(**) Term: **14 Years**

(21) Appl. No.: **29/222,976**

(22) Filed: **Feb. 7, 2005**

(51) **LOC (8) Cl.** **23-01**

(52) **U.S. Cl.** **D23/223**

(58) **Field of Classification Search** D23/213,
D23/223, 226, 229; 239/394, 525-6, 460,
239/587.1

See application file for complete search history.

(56) **References Cited**

U.S. PATENT DOCUMENTS

D457,598 S	*	5/2002	Storti et al.	D23/223
D484,945 S	*	1/2004	Ouyoung	D23/213
D498,816 S	*	11/2004	Egee	D23/213
D500,837 S	*	1/2005	Pinkston et al.	D23/213

OTHER PUBLICATIONS

Brasstech website page, showing Hand Shower #283, dated Aug. 31, 2004.

Brasstech website page, showing Hand Shower #283-2, dated Aug. 31, 2004.

Brasstech website page, showing picture of Hand Shower, dated Aug. 31, 2004.

Kohler U.S. Appl. No. 29/194,578, filed Nov. 26, 2003, showerhead.

* cited by examiner

Primary Examiner—Robin Webster

(74) *Attorney, Agent, or Firm*—Quarles & Brady LLP

(57) **CLAIM**

The ornamental design for a handle for plumbing fitting, as shown and described.

DESCRIPTION

In a preferred embodiment, the nature of this product is as a handle for a plumbing fitting such as a hand shower primary useful for washing the human body.

FIG. 1 is a right, top, front perspective view according to our new design of a handle for a plumbing fitting, such as a hand shower having a shower head as shown in phantom;

FIG. 2 is a right side elevational view thereof, the left side elevational view being a mirror image of the right side shown;

FIG. 3 is a front elevational view thereof;

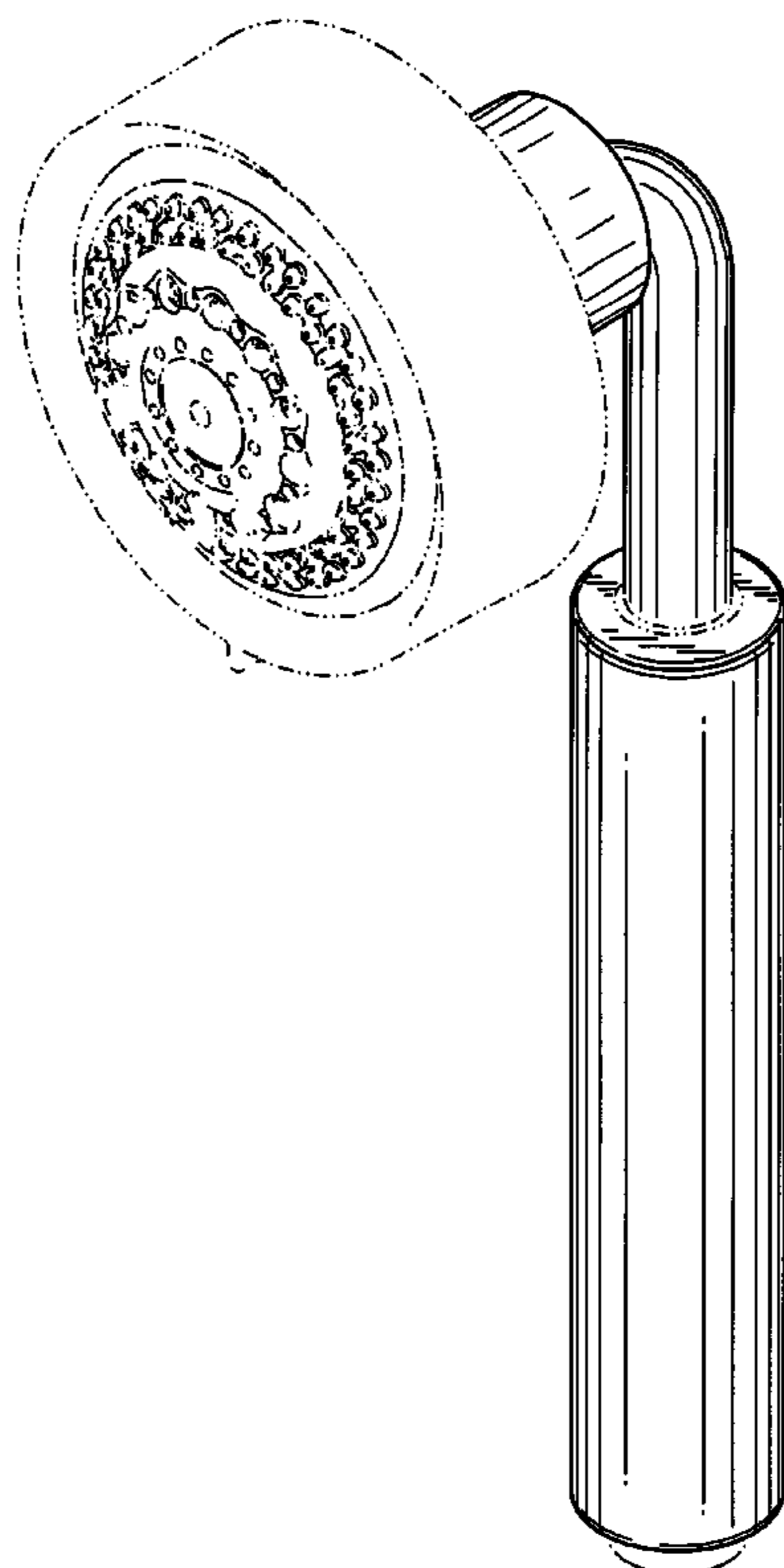
FIG. 4 is a rear elevational view thereof;

FIG. 5 is a top plan view thereof; and,

FIG. 6 is a bottom plan view thereof.

The broken line representations of shower head environment in the figures, handle end structure in FIGS. 1-4 and 6, and of openings in FIGS. 1, 4 and 5 are for the purpose of illustration only, and form no part of the claimed design.

1 Claim, 4 Drawing Sheets



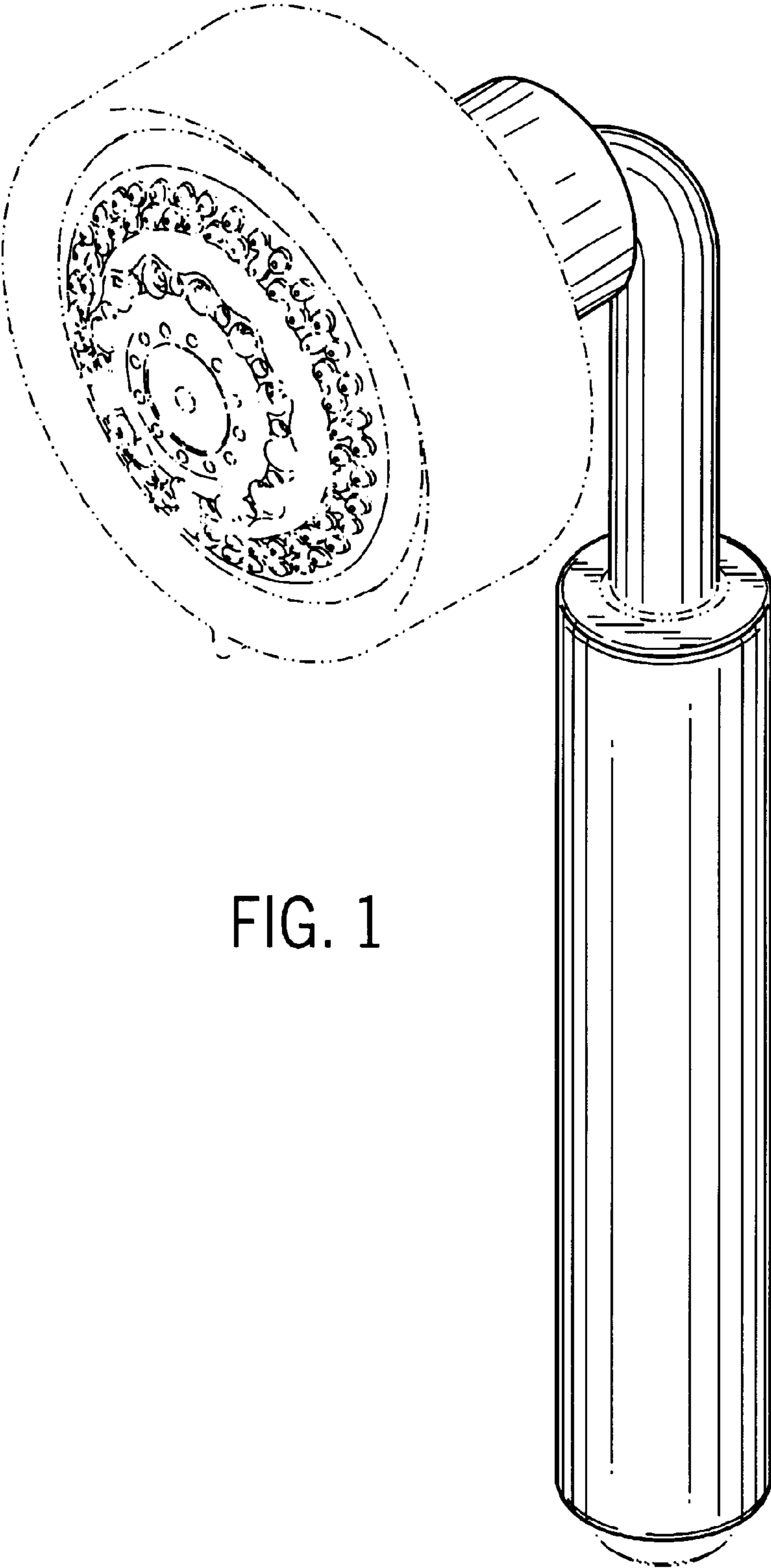


FIG. 1

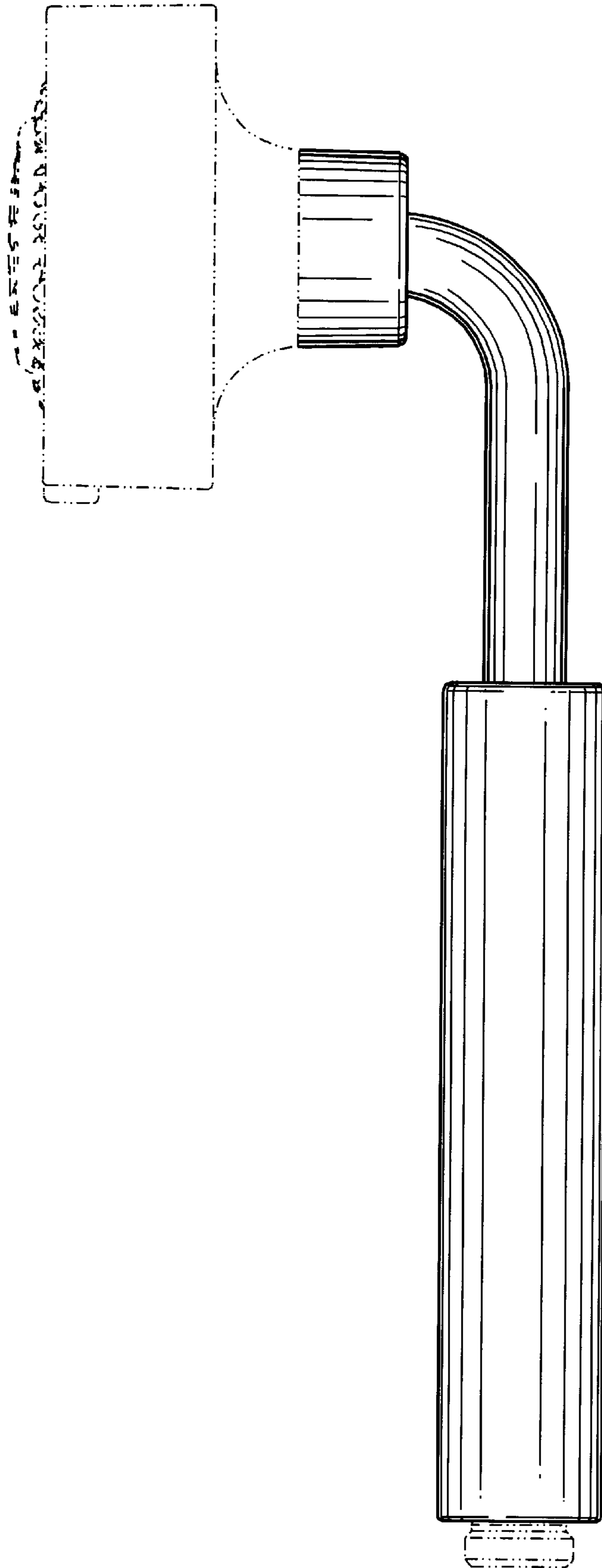


FIG. 2

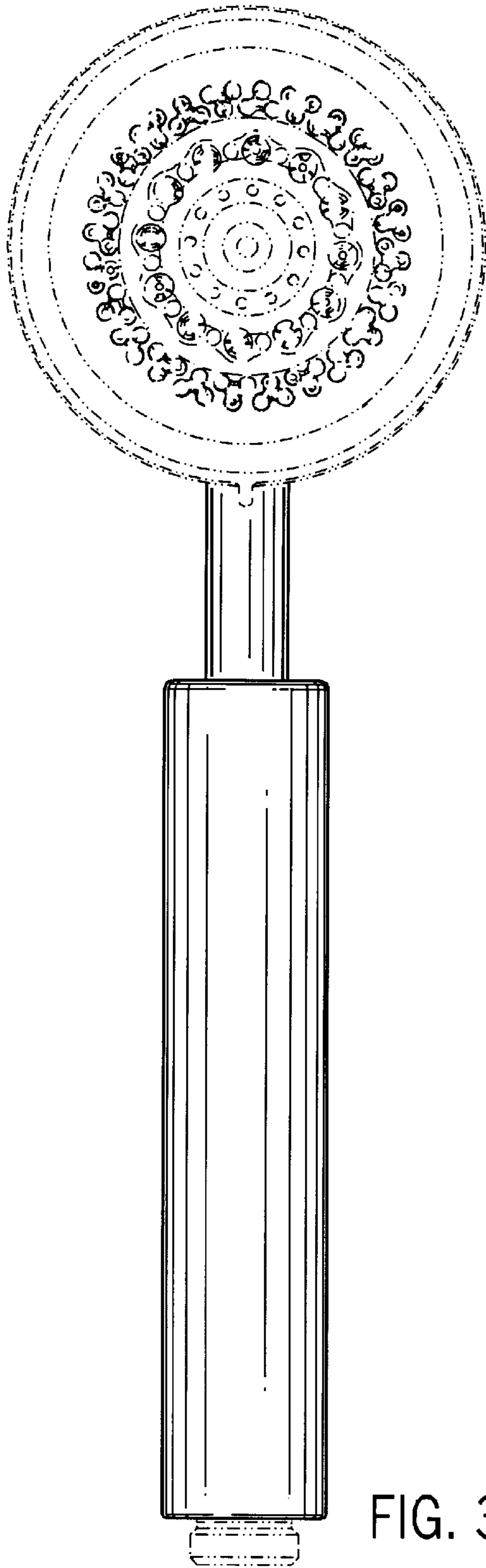


FIG. 3

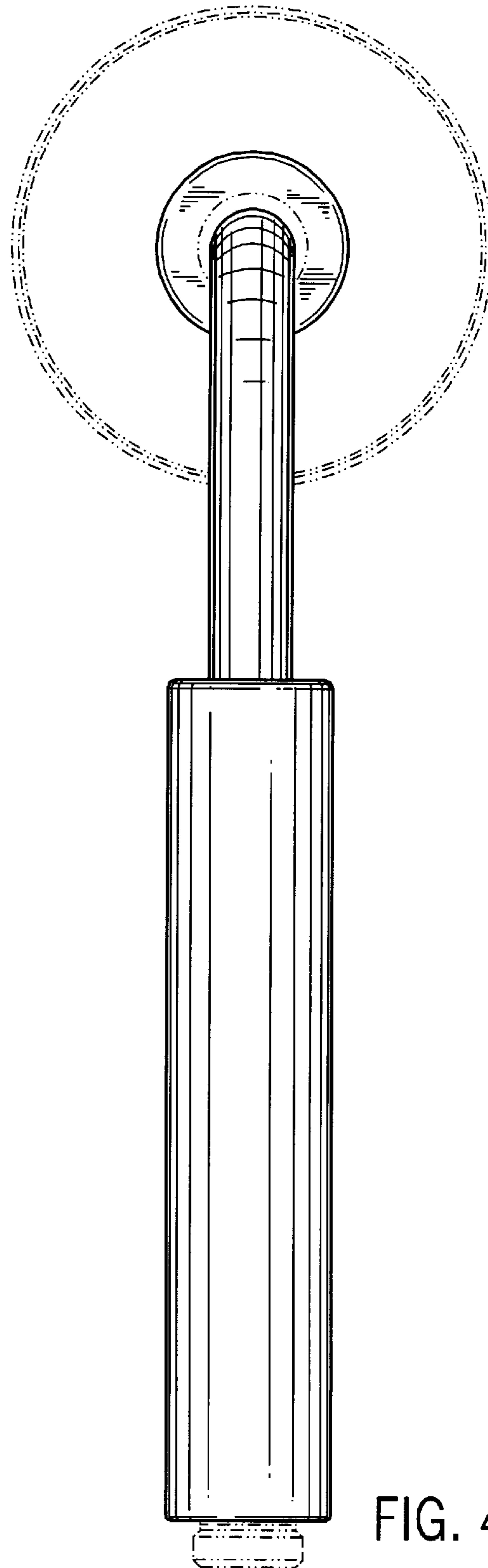


FIG. 4

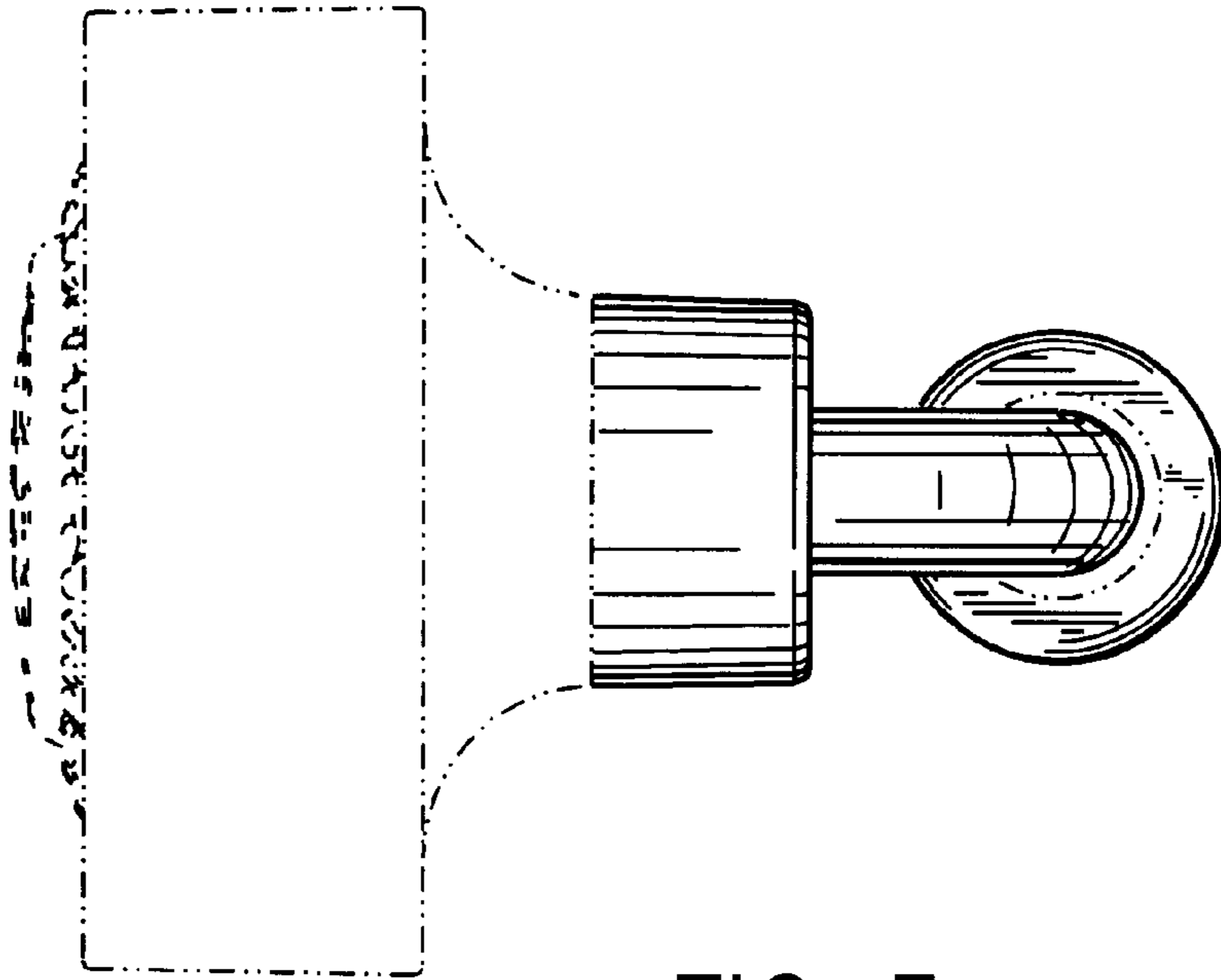


FIG. 5

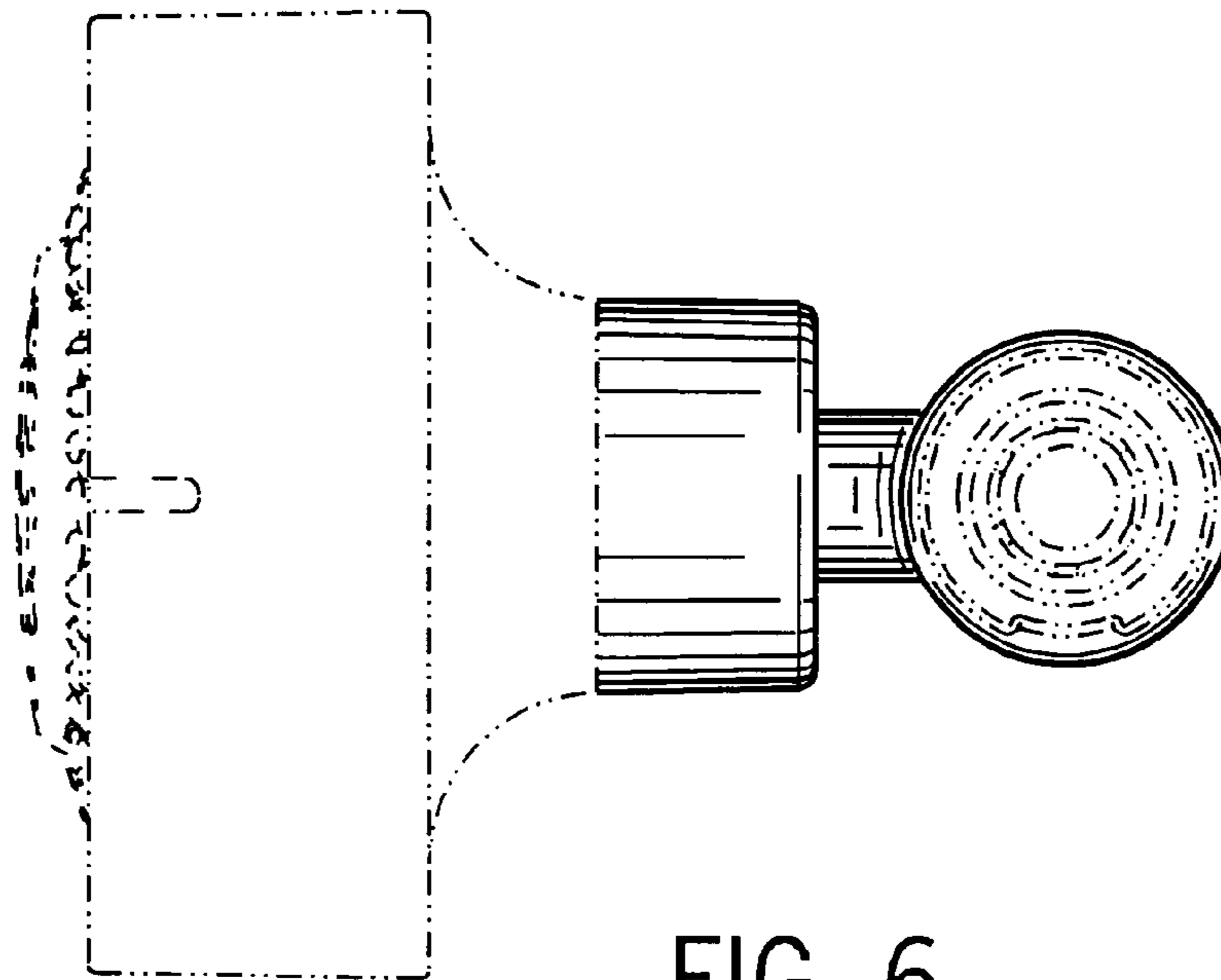


FIG. 6