



US00D522611S

(12) **United States Design Patent** (10) **Patent No.:** **US D522,611 S**
Carder, Sr. et al. (45) **Date of Patent:** **** Jun. 6, 2006**

(54) **COVER FOR FUEL DISPENSING NOZZLE**

(75) Inventors: **Mervin L. Carder, Sr.**, Fenton, MO (US); **Mervin L. Carder, Jr.**, Manchester, MO (US); **E. Leonard Poli**, High Ridge, MO (US)

(73) Assignee: **M. Carder Industries, Inc.**, Fenton, MO (US)

(**) Term: **14 Years**

(21) Appl. No.: **29/221,038**

(22) Filed: **Jan. 10, 2005**

Related U.S. Application Data

(62) Division of application No. 11/013,283, filed on Dec. 15, 2004.

(51) **LOC (8) Cl.** **23-01**

(52) **U.S. Cl.** **D23/213**

(58) **Field of Classification Search** D23/213, D23/223, 226, 227; 141/392; 137/377, 379
See application file for complete search history.

(56) **References Cited**

U.S. PATENT DOCUMENTS

D205,434	S	*	8/1966	Sutcliffe	D23/227
3,474,837	A		10/1969	Carder et al.		
D223,915	S	*	6/1972	Brown et al.	D23/226
4,465,209	A		8/1984	Wilder		
D358,452	S		5/1995	Karrick		
D366,310	S	*	1/1996	Fell	D23/227
D396,265	S	*	7/1998	Alvern	D23/227
5,806,217	A		9/1998	Alvern		
5,960,842	A	*	10/1999	Alvern et al.	141/392
6,592,955	B1		7/2003	Dupont et al.		

OTHER PUBLICATIONS

M. Carder Industries, Inc. M. Carder Petroleum Equipment [online], [retrieved on Jan. 10, 2005]. Retrieved from the Internet: <URL: http://www.mcarder.com/nozzles/view.nhtml_profile=nozzles_UID=10012>.

OPW Fueling Components Automatic Nozzles and Accessories [online], [retrieved on Jan. 10, 2005]. Retrieved from the Internet: <URL: http://www.opw-fc.com/product_detail.aspx?pid=134>.

OPW Fueling Components Automatic Nozzles and Accessories [online], [retrieved on Jan. 10, 2005]. Retrieved from the Internet: <URL: http://www.opw-fc.com/product_category.aspx?cid=7>.

* cited by examiner

Primary Examiner—Robin Webster

(74) *Attorney, Agent, or Firm*—Polster, Lieder, Woodruff & Lucchesi, LC

(57) **CLAIM**

The ornamental design for a cover for fuel dispensing nozzle, as shown and described.

DESCRIPTION

FIG. 1 is a view in perspective of a cover for fuel dispensing nozzle in accordance with the present invention.

FIG. 2 is another view in perspective of the cover for fuel dispensing nozzle.

FIG. 3 is a view in right side elevation of the cover for fuel dispensing nozzle, the broken lines indicating a fuel dispensing nozzle to which the cover is applied, the nozzle forming no part of the design.

FIG. 4 is a view in right side elevation of the cover for fuel dispensing nozzle, the left side elevation being a mirror image thereof.

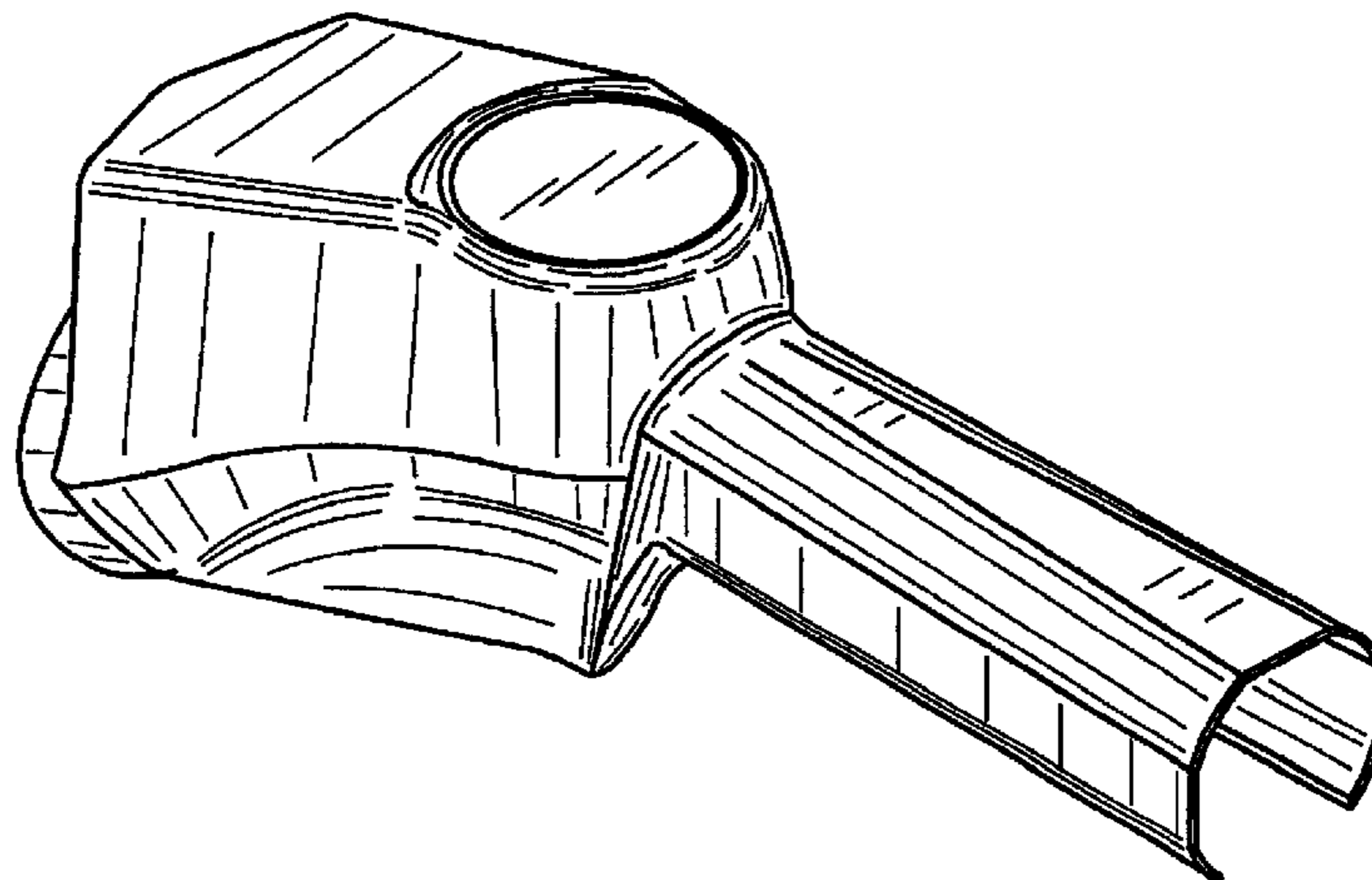
FIG. 5 is a view in front elevation of the cover for fuel dispensing nozzle.

FIG. 6 is a view in rear elevation of the cover for fuel dispensing nozzle.

FIG. 7 is a view in top plan of the cover for fuel dispensing nozzle; and,

FIG. 8 is a view in bottom plan of the cover for fuel dispensing nozzle.

1 Claim, 2 Drawing Sheets



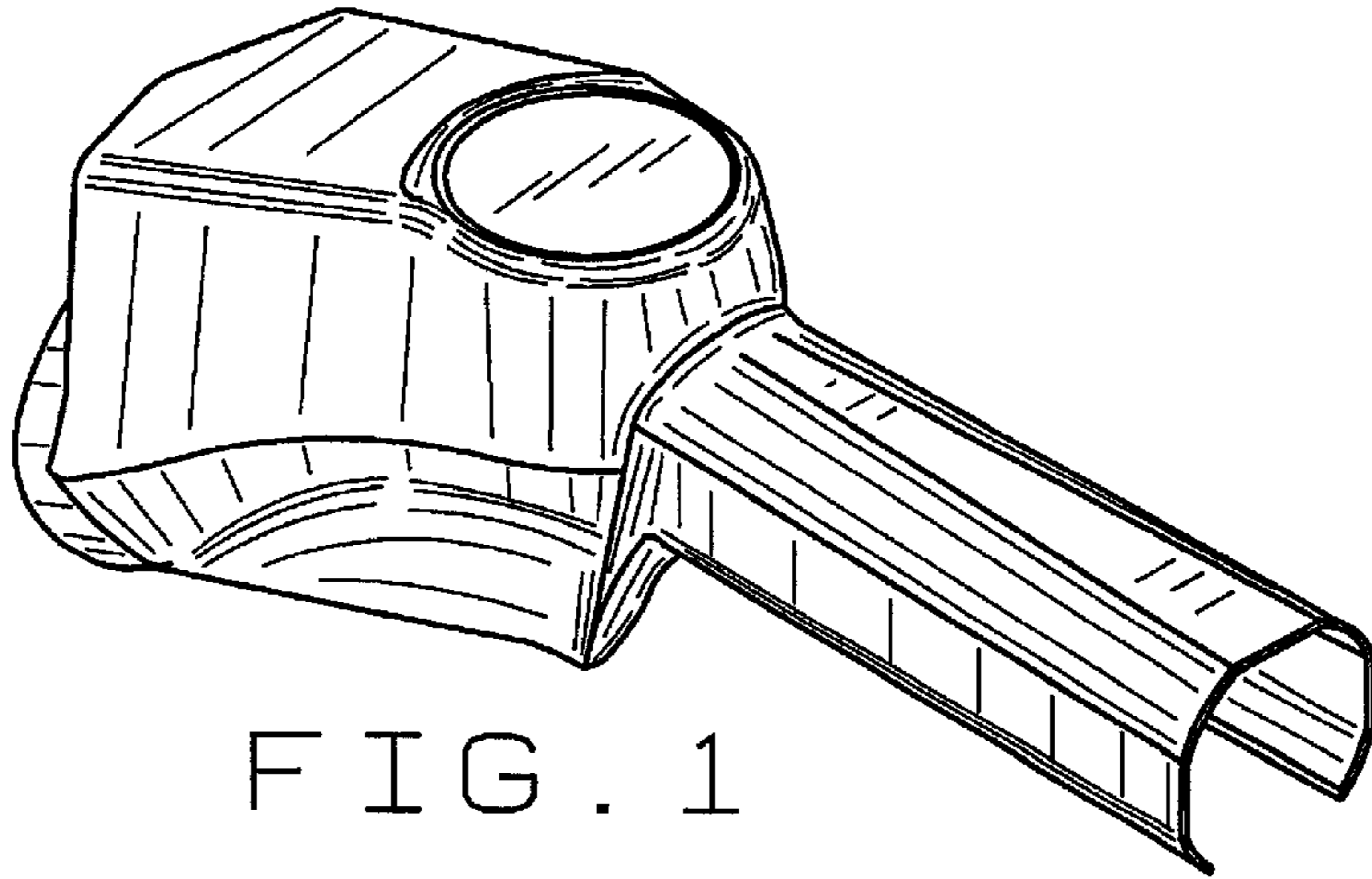


FIG. 1

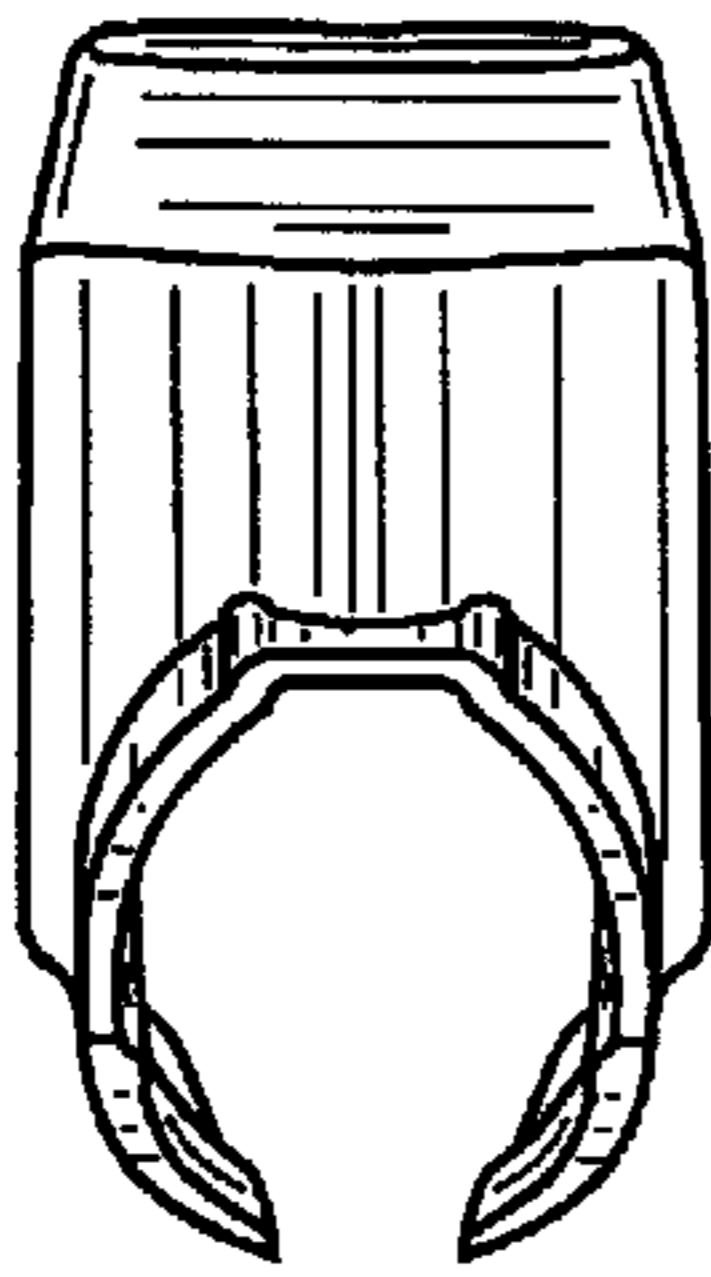


FIG. 5

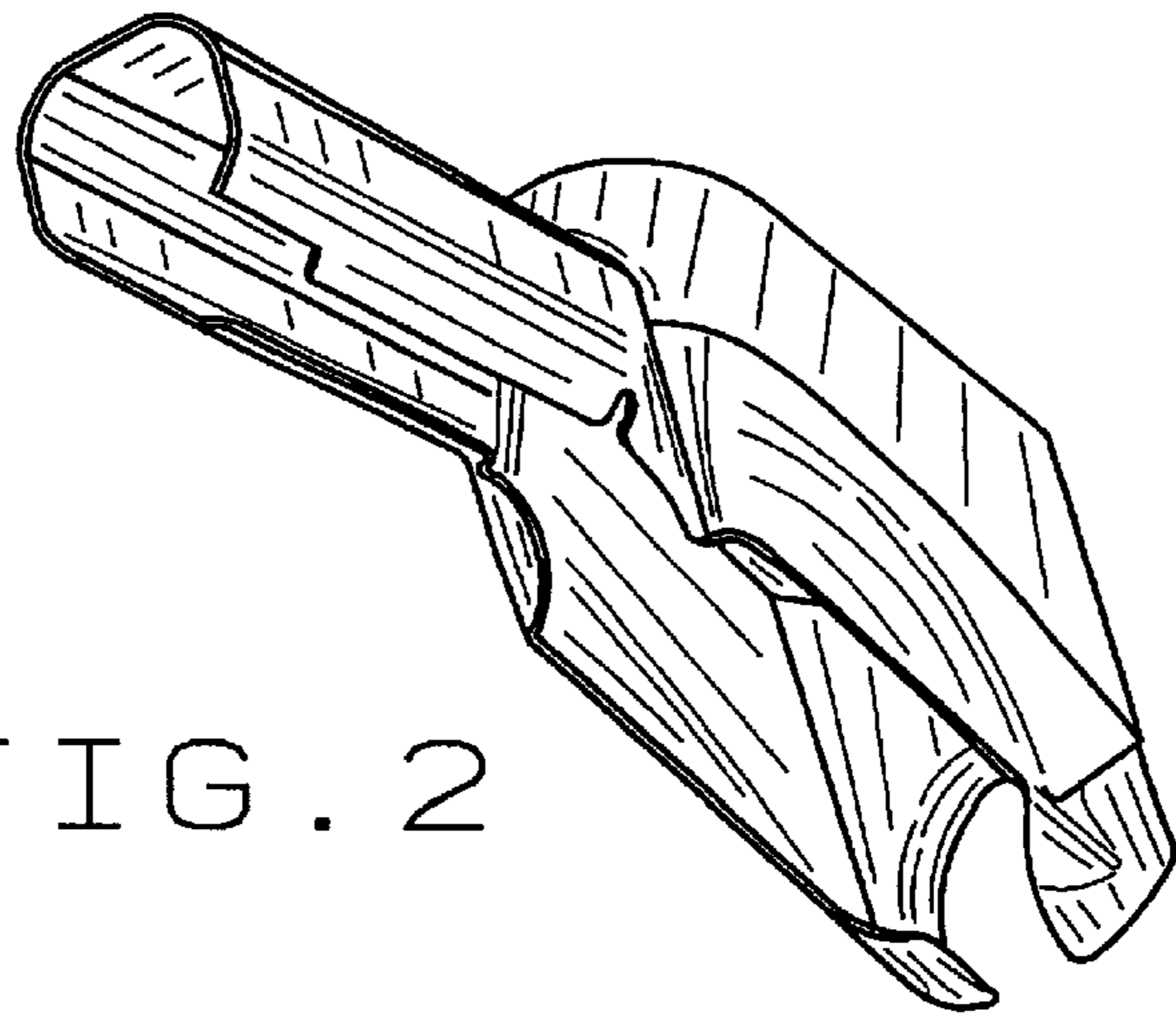


FIG. 2

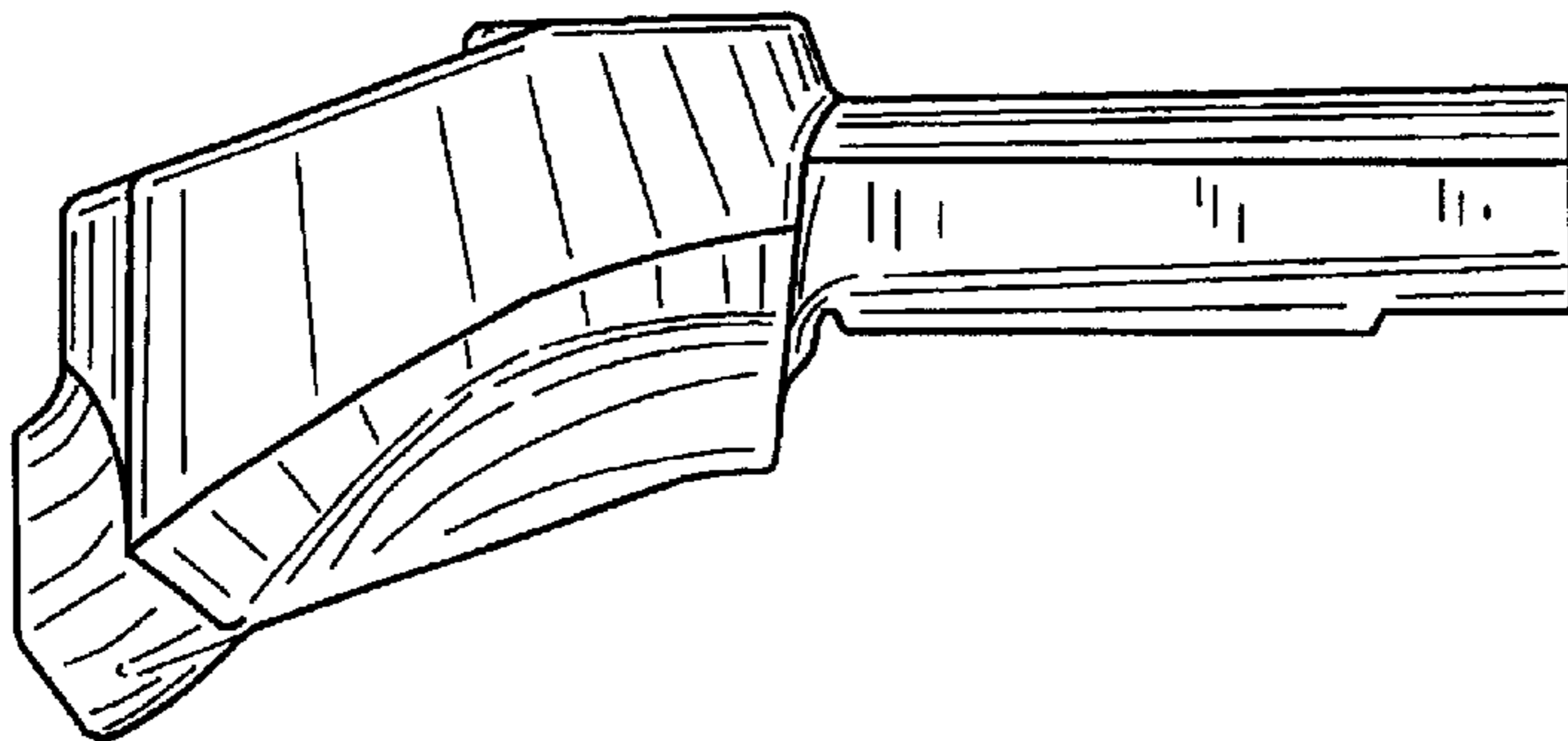


FIG. 4

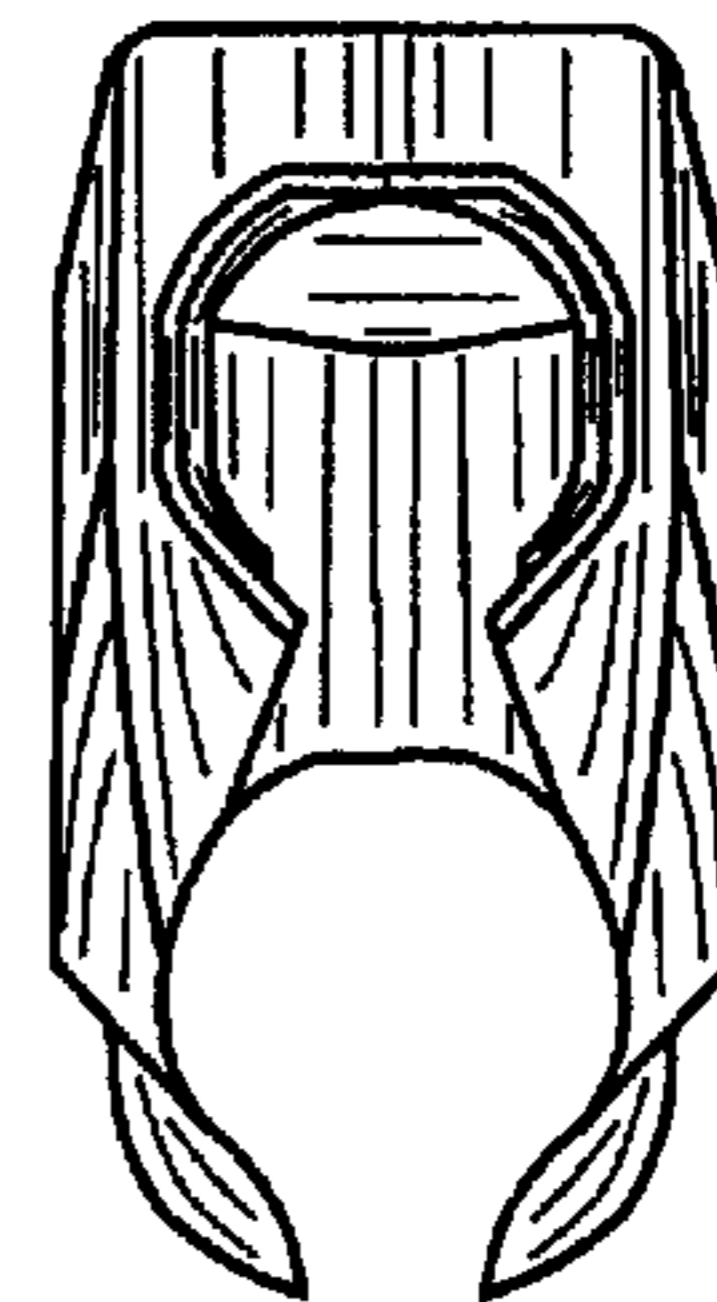


FIG. 6

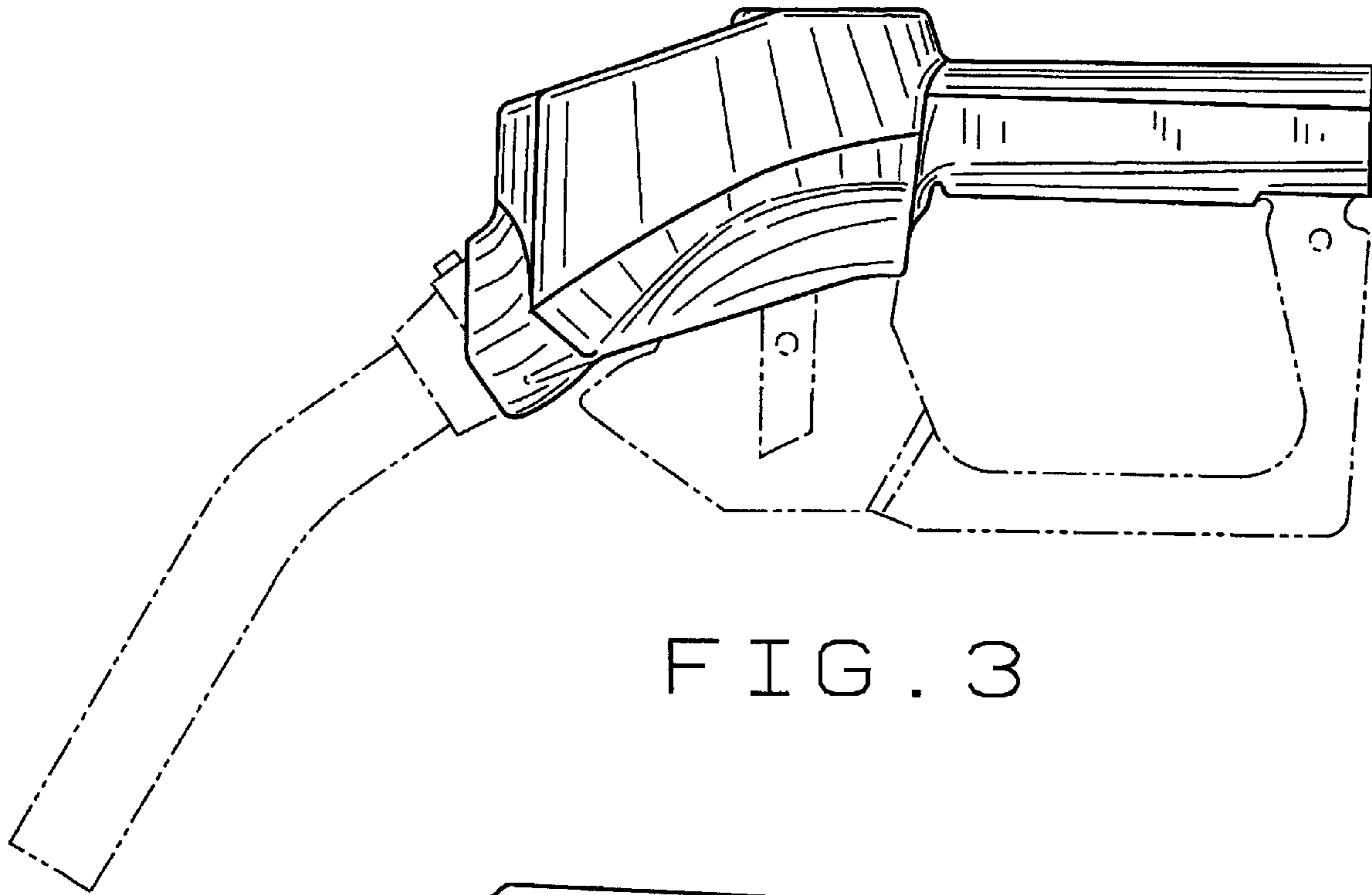


FIG. 3

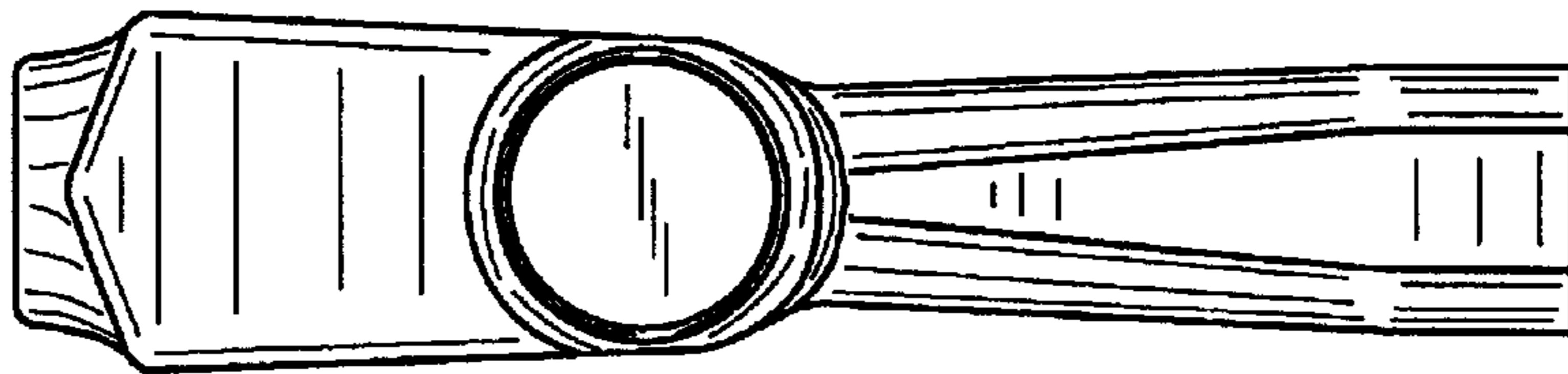


FIG. 7

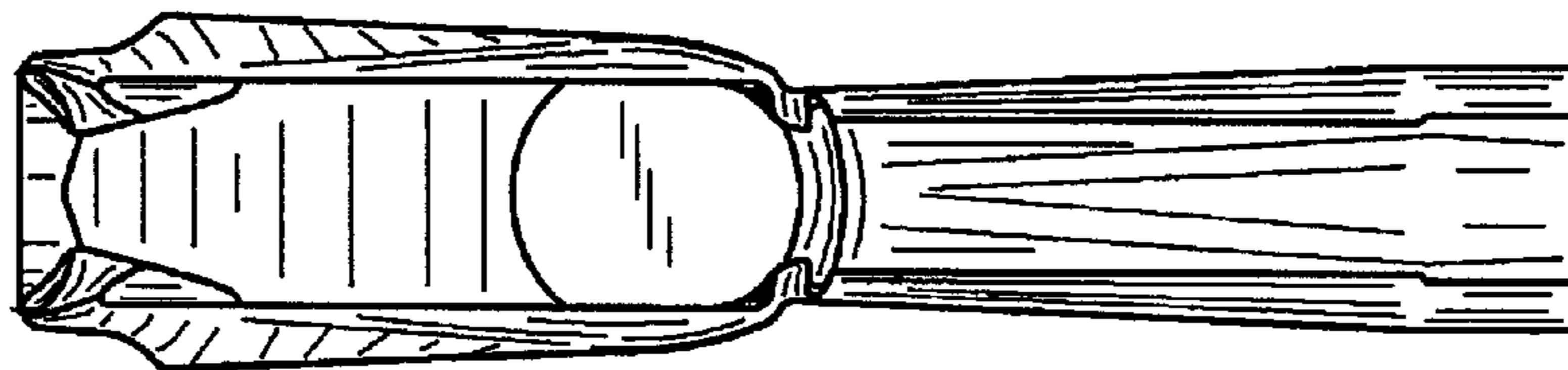


FIG. 8