

US00D522610S

(12) **United States Design Patent**  
**Caruana et al.**

(10) **Patent No.:** **US D522,610 S**

(45) **Date of Patent:** **\*\* Jun. 6, 2006**

(54) **GAS CHAMBER ORIFICE**

(75) Inventors: **Joseph Raymond Caruana**, Glenmore Park (AU); **William Rees Barratt**, Alexandria (AU)

(73) Assignee: **Hydrological Services Pty. Ltd.**, Warwick Farm (AU)

(\*\*) Term: **14 Years**

(21) Appl. No.: **29/189,859**

(22) Filed: **Sep. 11, 2003**

(51) **LOC (8) Cl.** ..... **23-01**

(52) **U.S. Cl.** ..... **D23/213**

(58) **Field of Classification Search** ..... D23/213,  
D23/223, 226, 228, 229, 230, 231, 214, 224,  
D23/222.17; 239/380, 381; 374/148; D10/52  
See application file for complete search history.

(56) **References Cited**

**U.S. PATENT DOCUMENTS**

- 2,579,150 A \* 12/1951 Leopold et al. .... 374/148
- 4,151,957 A \* 5/1979 Gecewicz et al. .... 239/381
- 4,588,130 A \* 5/1986 Trenary et al. .... 239/381
- D302,201 S \* 7/1989 Hengesbach ..... D23/213

- D403,048 S \* 12/1998 Allah ..... D23/228
- D462,109 S \* 8/2002 Adams ..... D23/213
- D510,610 S \* 10/2005 Bailey et al. .... D23/223

**OTHER PUBLICATIONS**

Hydrological Services Pty. Ltd, Bulletin, date unknown, 3 pages.

\* cited by examiner

*Primary Examiner*—Paula A. Greene

(74) *Attorney, Agent, or Firm*—Stephen C. Beuerle; Procopio Cory Hargreaves & Savitch

(57) **CLAIM**

The ornamental design for gas chamber orifice, substantially as shown and described.

**DESCRIPTION**

FIG. 1 is a front view of gas chamber orifice showing our new design;

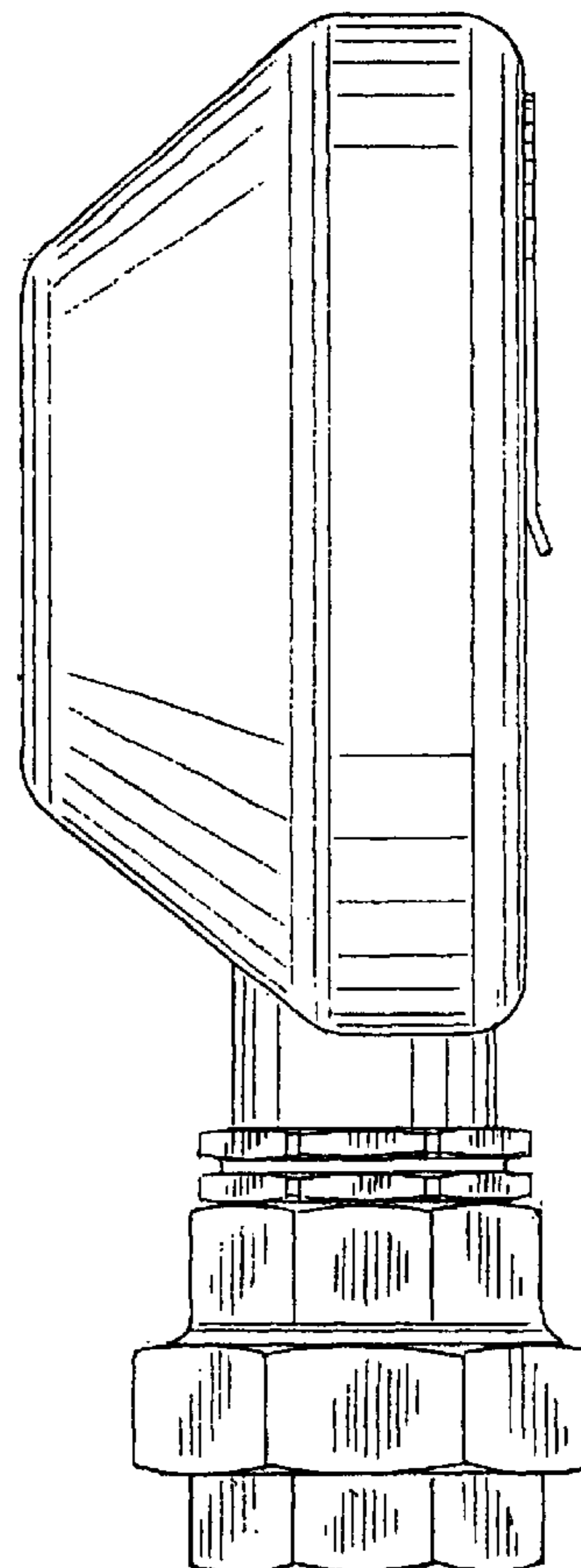
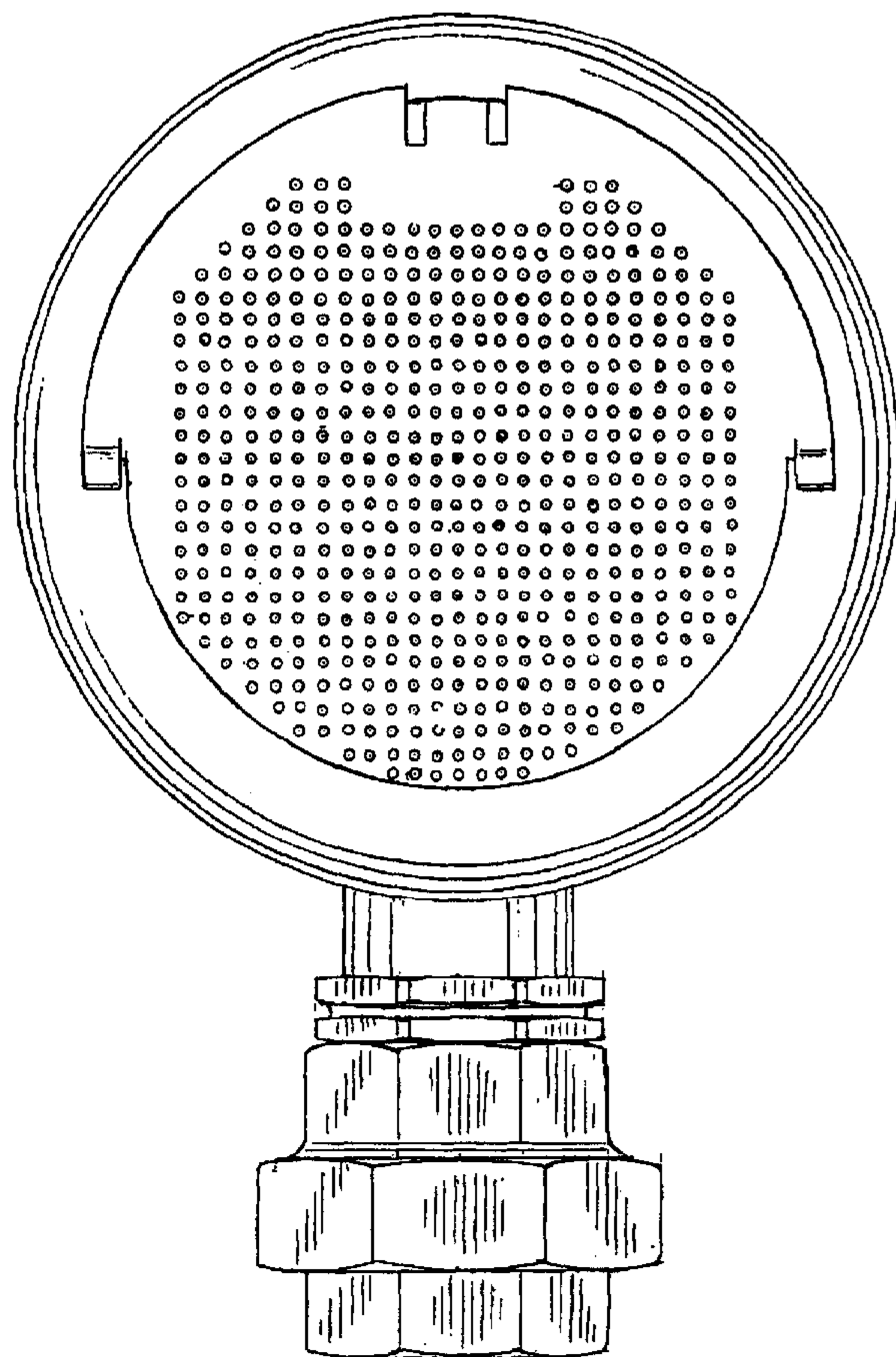
FIG. 2 is a side elevational view, the opposite side being a mirror image thereof;

FIG. 3 is a top plan view thereof;

FIG. 4 is a rear view thereof; and,

FIG. 5 is a bottom plan view thereof.

**1 Claim, 2 Drawing Sheets**



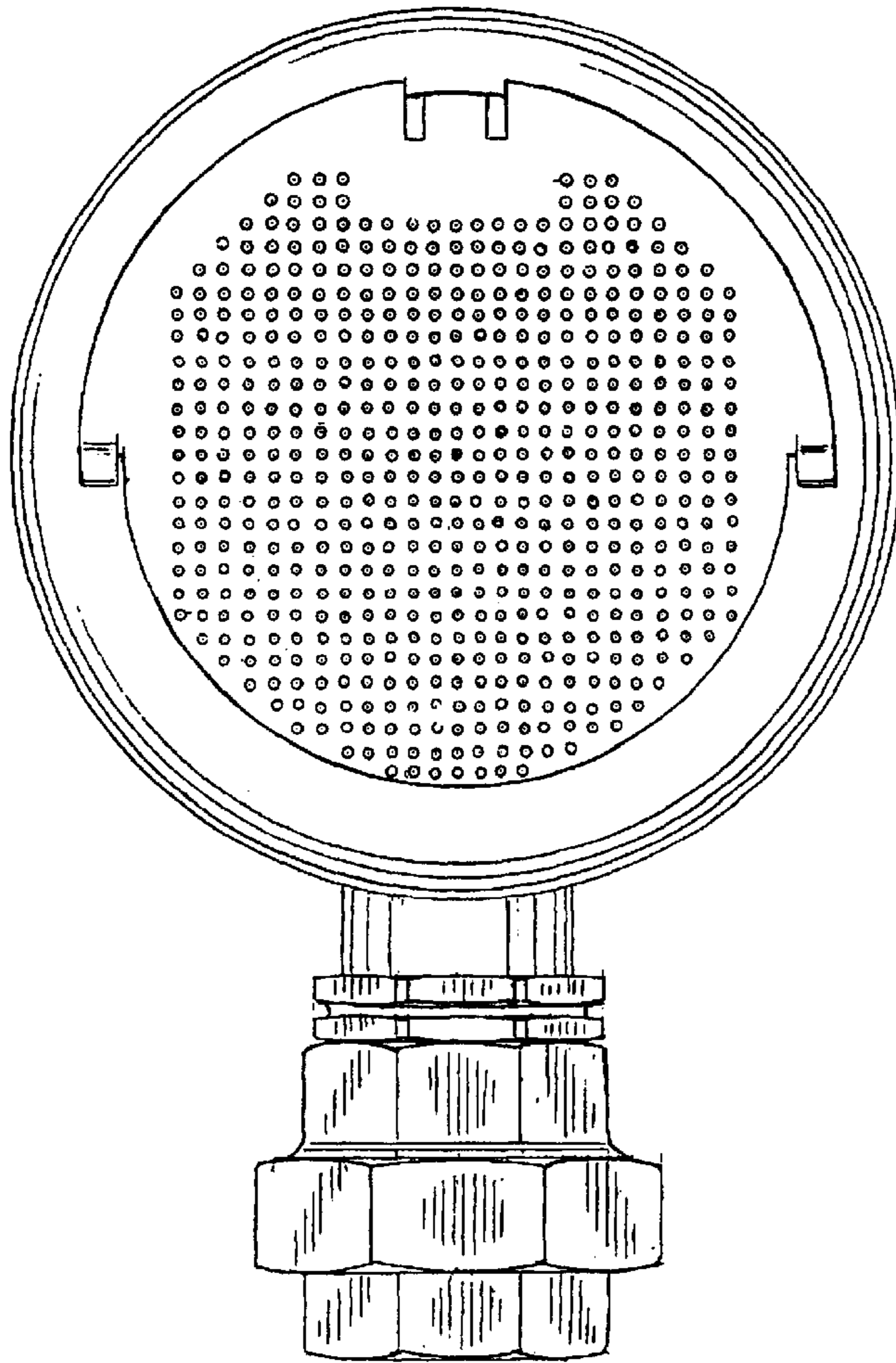


FIG. 1

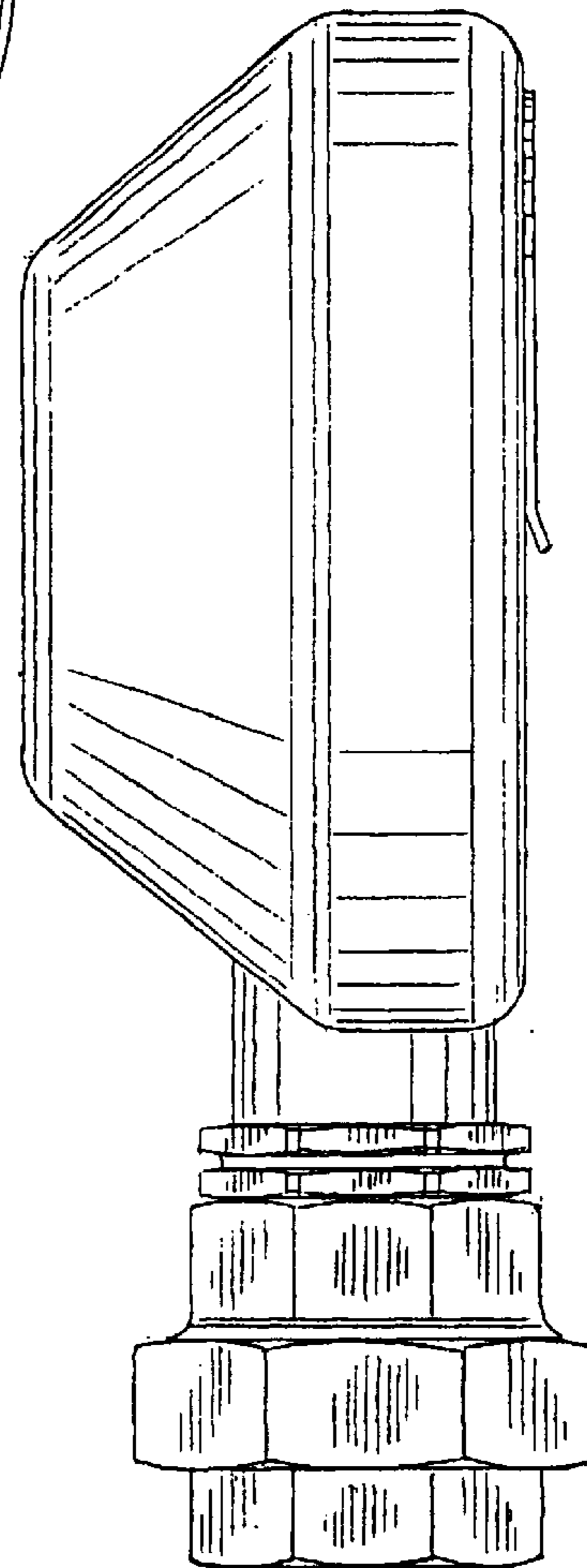


FIG. 2

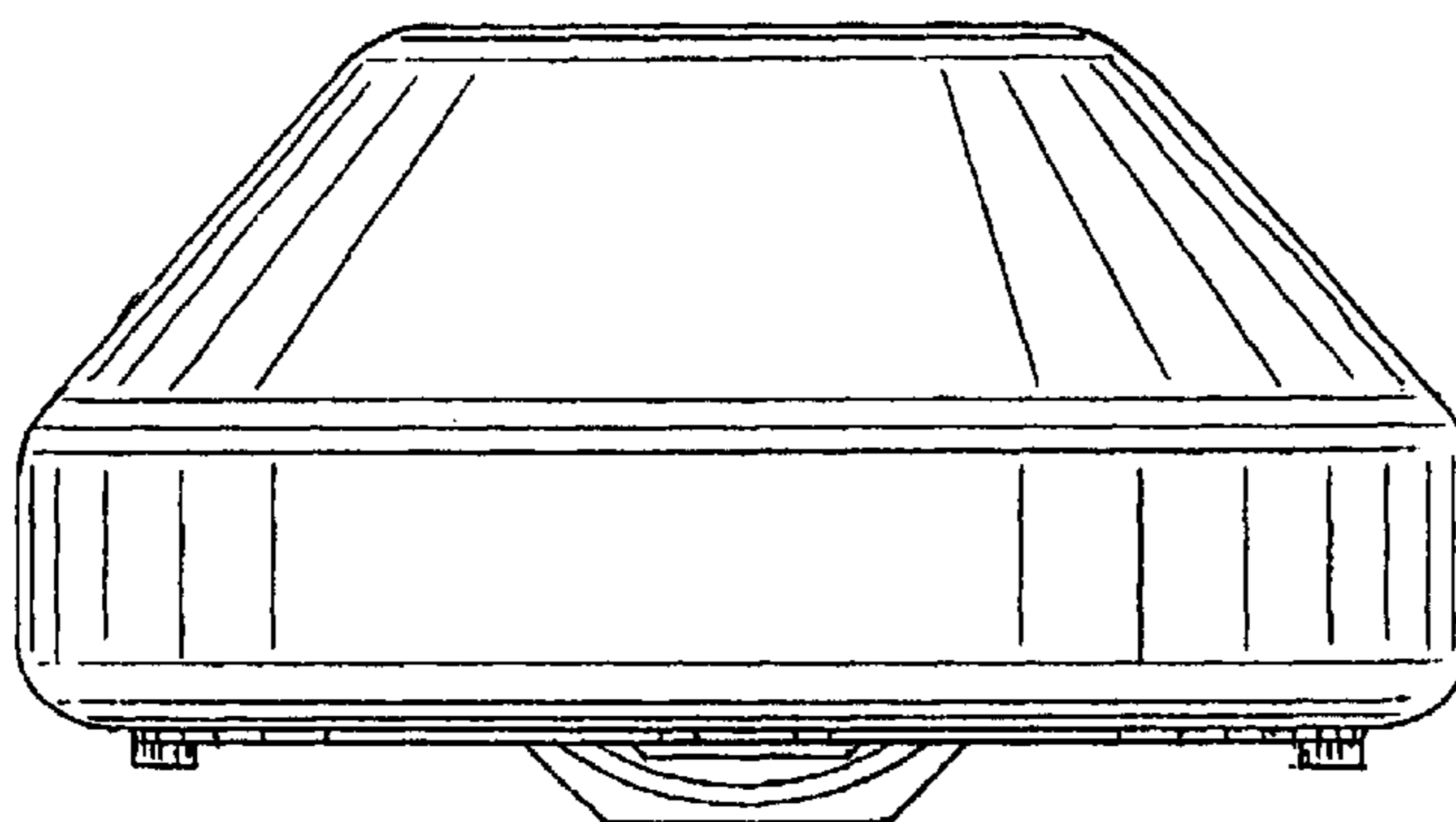


FIG. 3

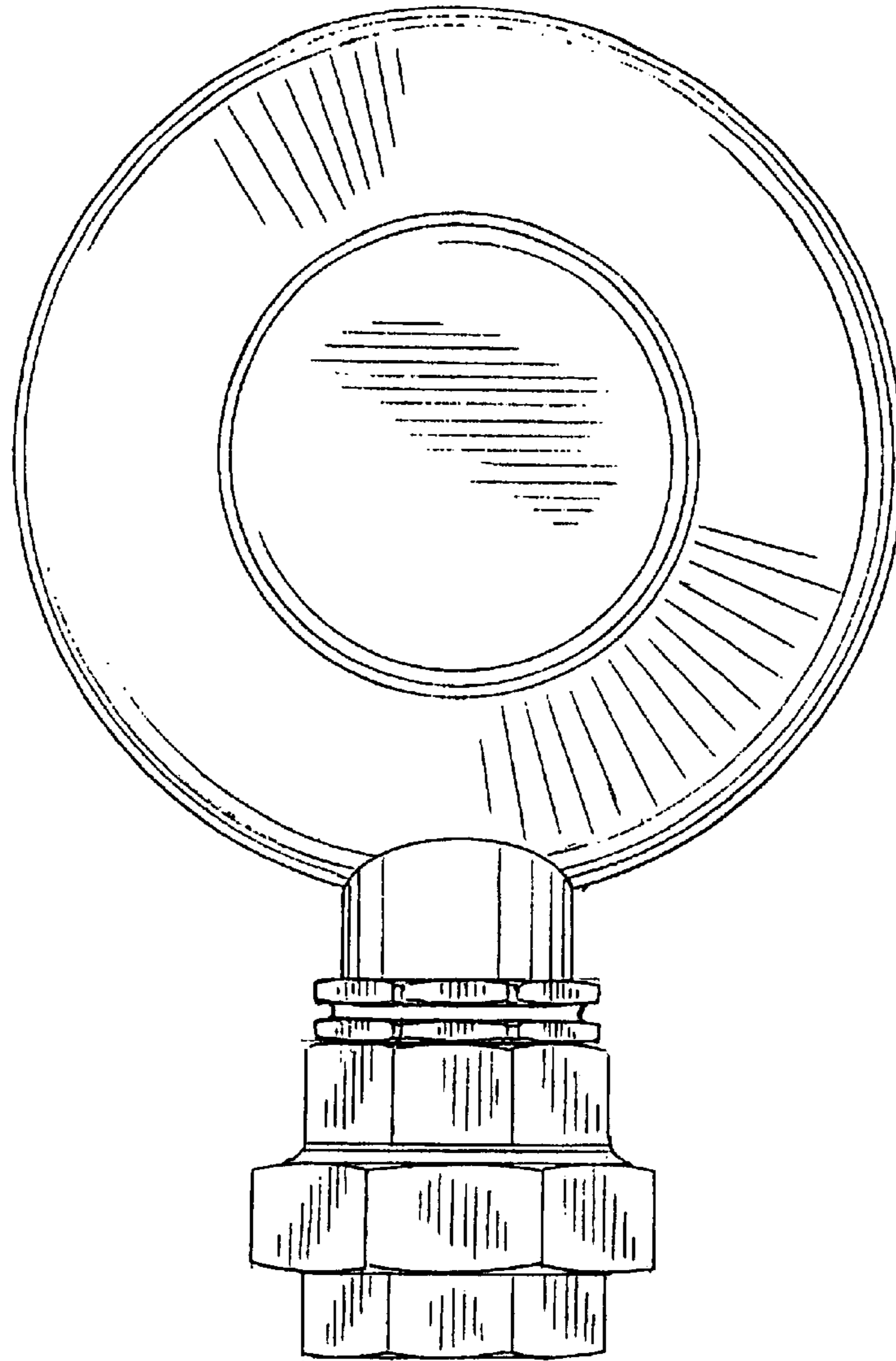


FIG. 4

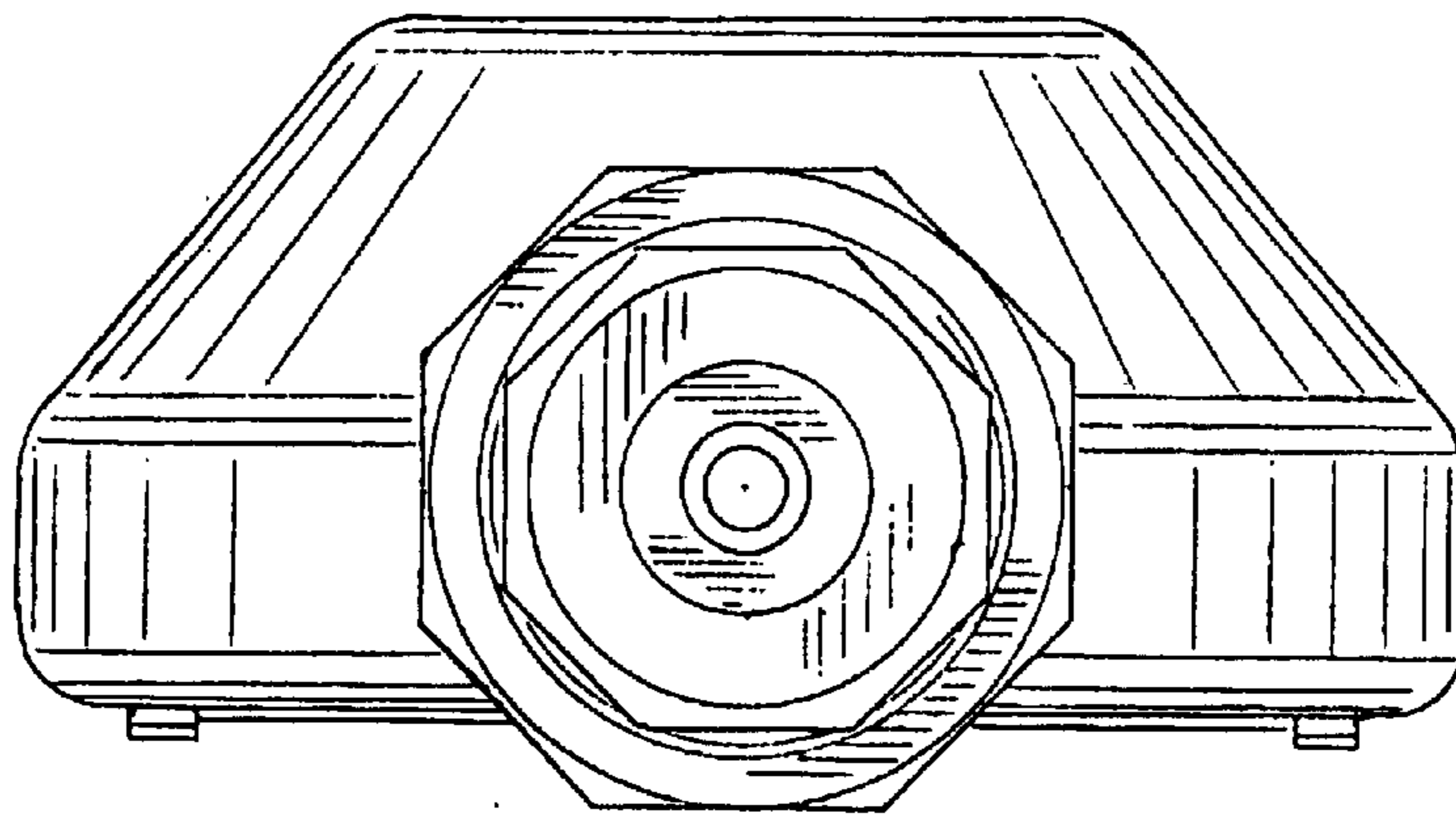


FIG. 5