

US00D522605S

(12) **United States Design Patent**
Bishirjian

(10) **Patent No.:** **US D522,605 S**

(45) **Date of Patent:** **** Jun. 6, 2006**

(54) **PERSONAL CANOPY**

(76) Inventor: **Charles A. Bishirjian**, 1161-9 Sheridan Rd., NE., Atlanta, GA (US) 30324

(**) Term: **14 Years**

(21) Appl. No.: **29/209,113**

(22) Filed: **Jul. 9, 2004**

(51) **LOC (8) Cl.** **21-04**

(52) **U.S. Cl.** **D21/837**

(58) **Field of Classification Search** D21/834,
D21/835, 836, 837, 838, 839; 135/87, 96,
135/98; D3/5

See application file for complete search history.

(56) **References Cited**

U.S. PATENT DOCUMENTS

4,836,231	A	*	6/1989	Peterson	135/98
D336,504	S	*	6/1993	Castro	D21/837
5,441,067	A	*	8/1995	James et al.	135/96
5,441,068	A	*	8/1995	Rasch et al.	135/98
D443,409	S	*	6/2001	Pilz et al.	D3/5
6,401,739	B1	*	6/2002	Bright et al.	135/98
6,405,742	B1	*	6/2002	Driscoll	135/96
6,422,252	B1	*	7/2002	Pilz et al.	135/98
D497,479	S	*	10/2004	Yu	D3/5
6,845,780	B1	*	1/2005	Bishirjian	135/96
D502,800	S	*	3/2005	Snyders	D3/5
2002/0129847	A1	*	9/2002	Ma	135/98

* cited by examiner

Primary Examiner—Holly Baynham

Assistant Examiner—Cynthia M. Chin

(74) *Attorney, Agent, or Firm*—Charles J. Prescott

(57) **CLAIM**

The ornamental design for a personal canopy, as shown and described.

DESCRIPTION

FIG. 1. is a rear elevation in one orientation of deployment of a personal canopy with the canopy support extended showing my new design;

FIG. 2 is a frontal perspective view thereof;

FIG. 3 is a rear perspective view thereof in another orientation of deployment;

FIG. 4 is a rear perspective view thereof in yet another orientation of deployment;

FIG. 5 is a top perspective view thereof;

FIG. 6 is a lower frontal perspective view thereof in still another orientation of deployment;

FIG. 7 is a rear perspective view thereof in still another orientation of deployment;

FIG. 8 is a frontal perspective view thereof in an orientation of partial deployment;

FIG. 9 is a rear perspective view of FIG. 8;

FIG. 10 is a side elevation view in a stored orientation;

FIG. 11 is a side elevation view in another stored orientation;

FIG. 12 is a front elevation view of FIG. 11; and,

FIG. 13 is a frontal perspective view of FIG. 11.

The broken lines are for illustrative purposes only and form no part of the claimed design.

1 Claim, 13 Drawing Sheets

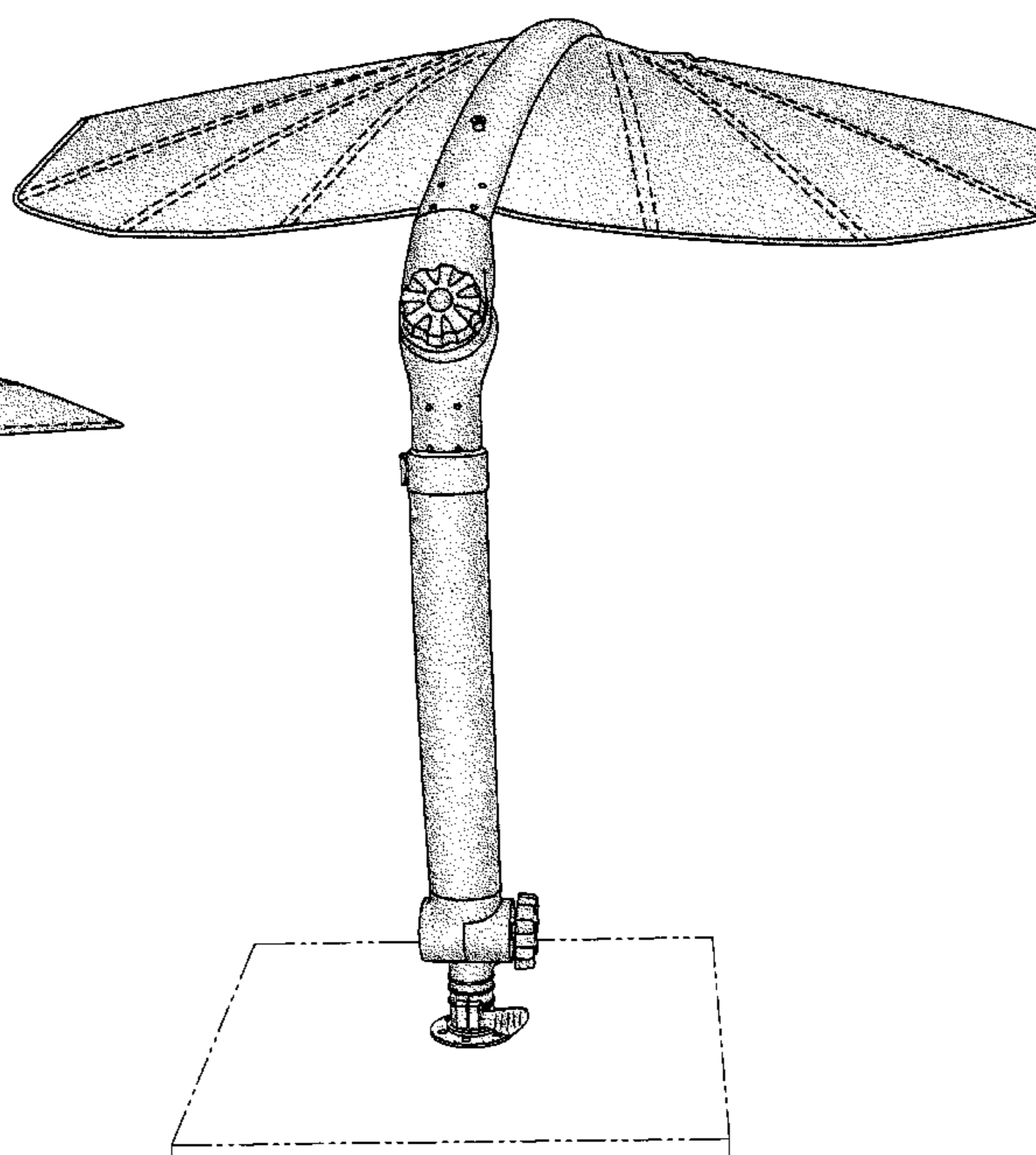
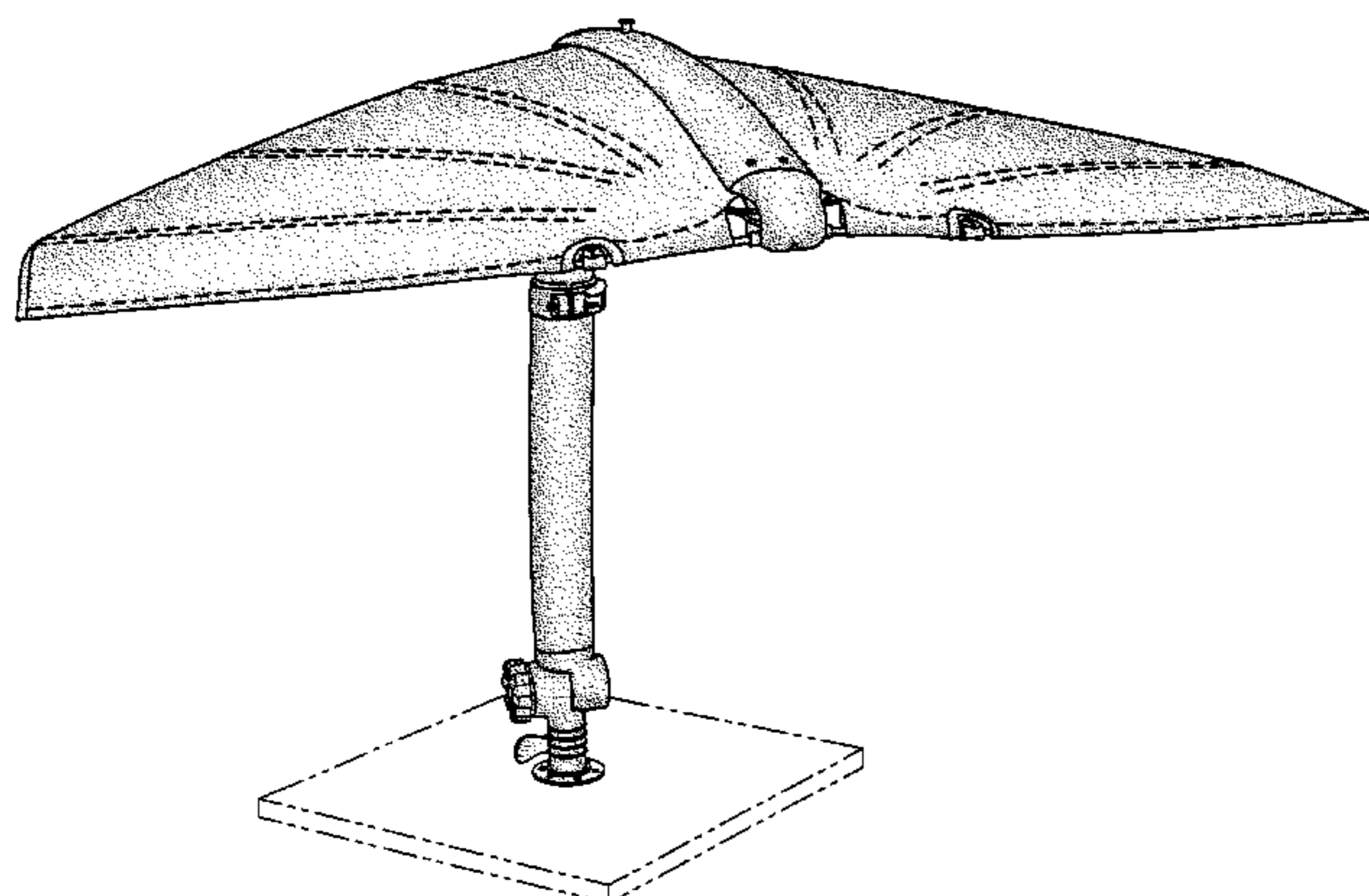


FIG. 1

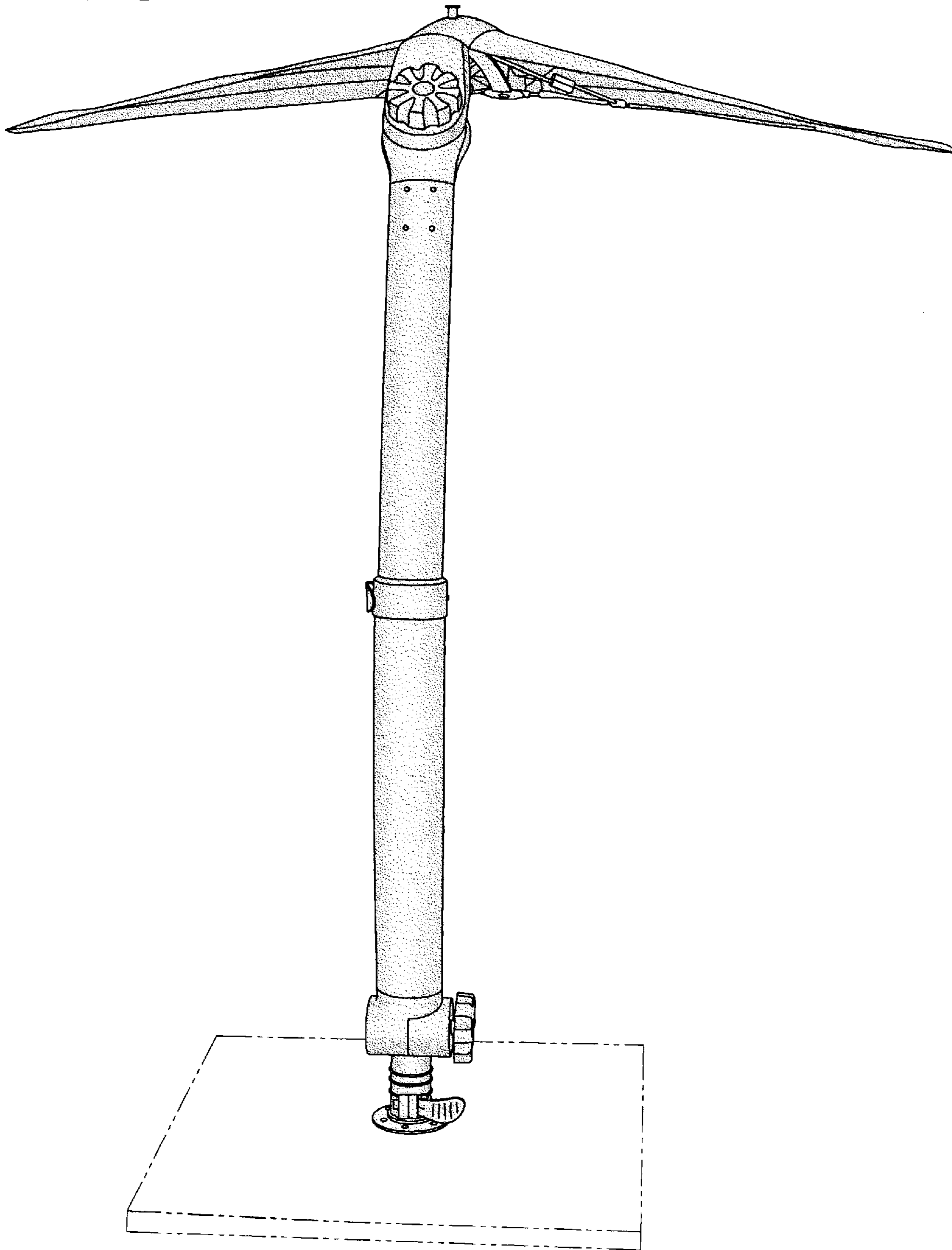


FIG. 2

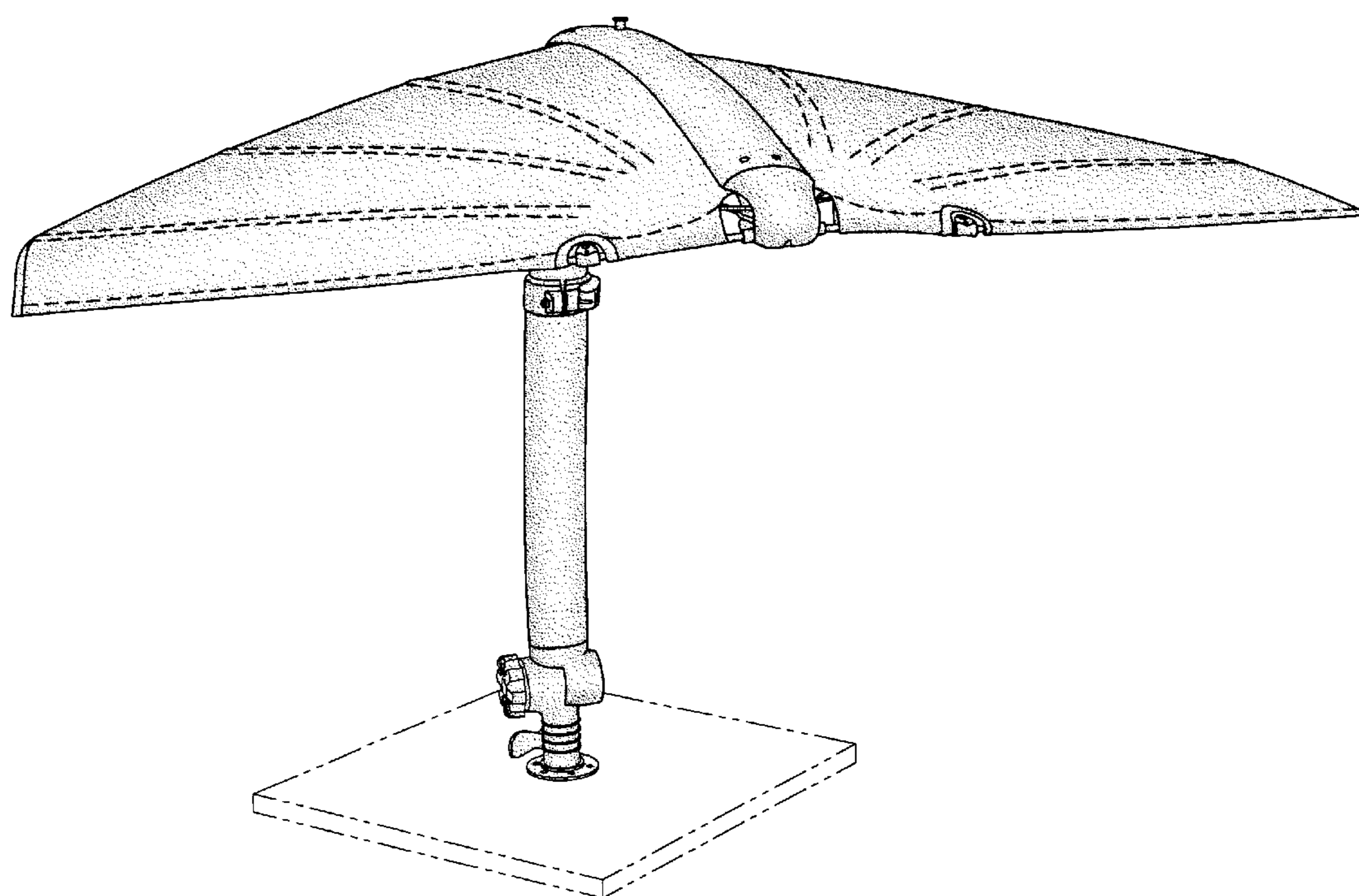


FIG. 3

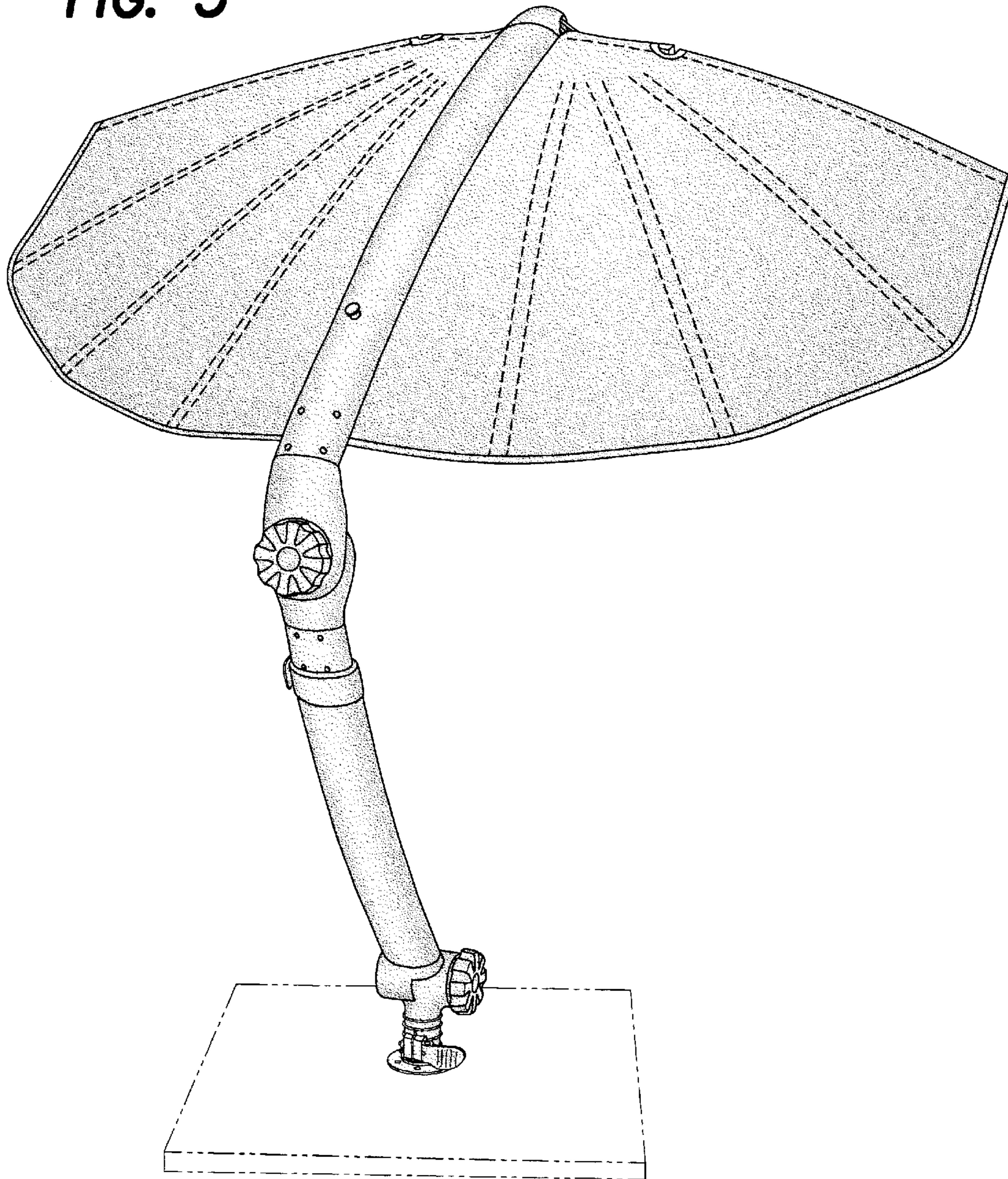


FIG. 4

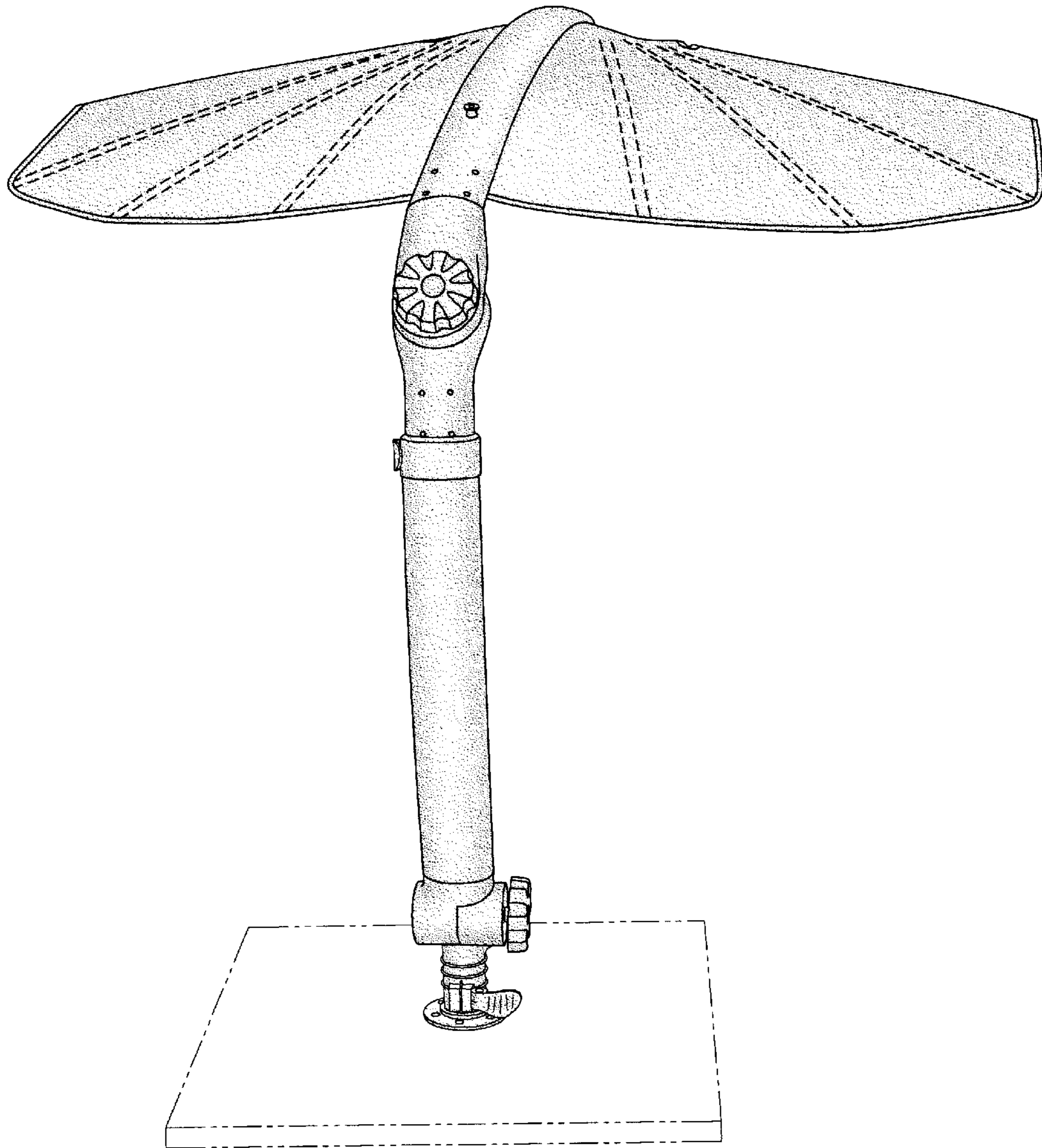


FIG. 5

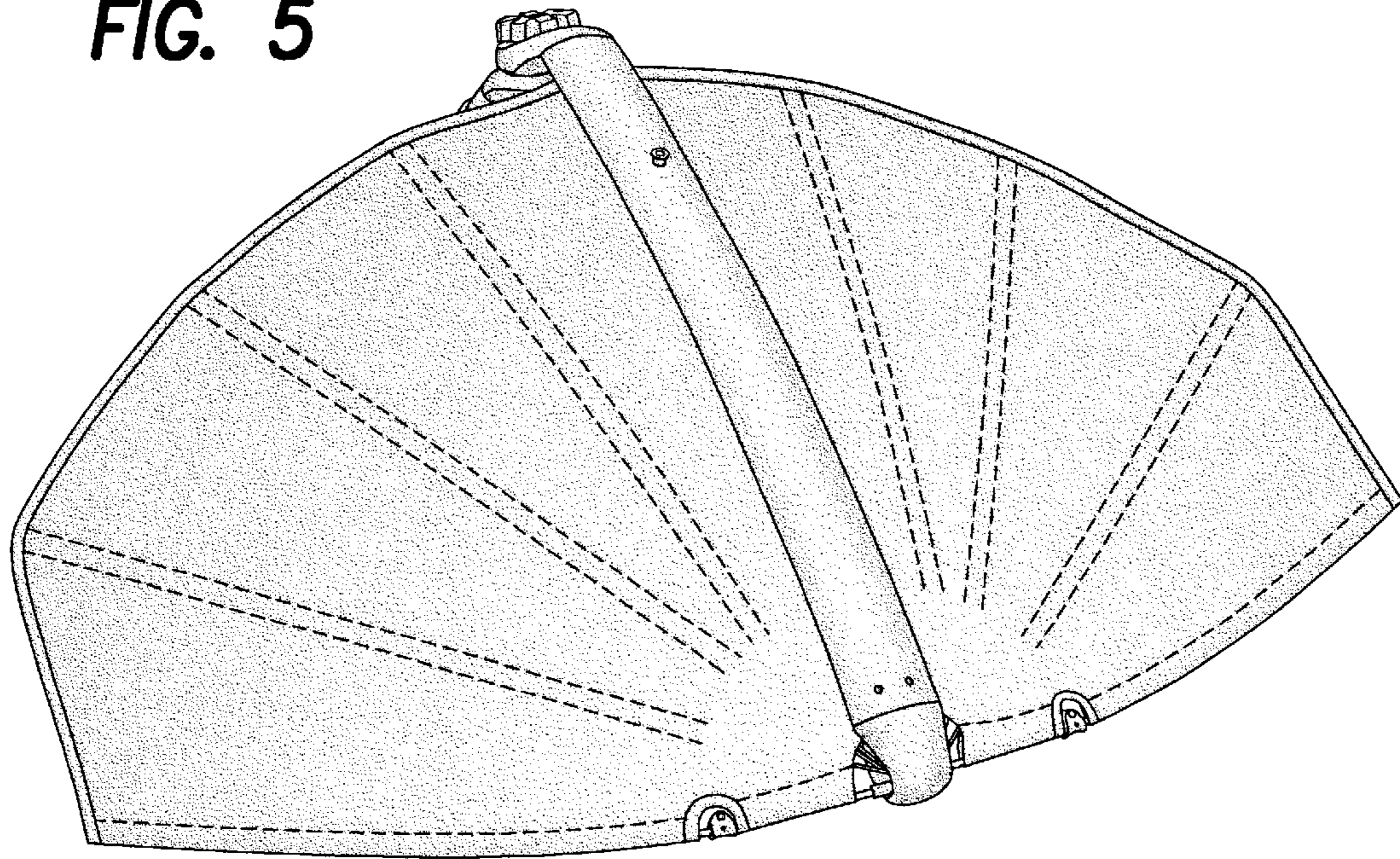


FIG. 6



FIG. 7

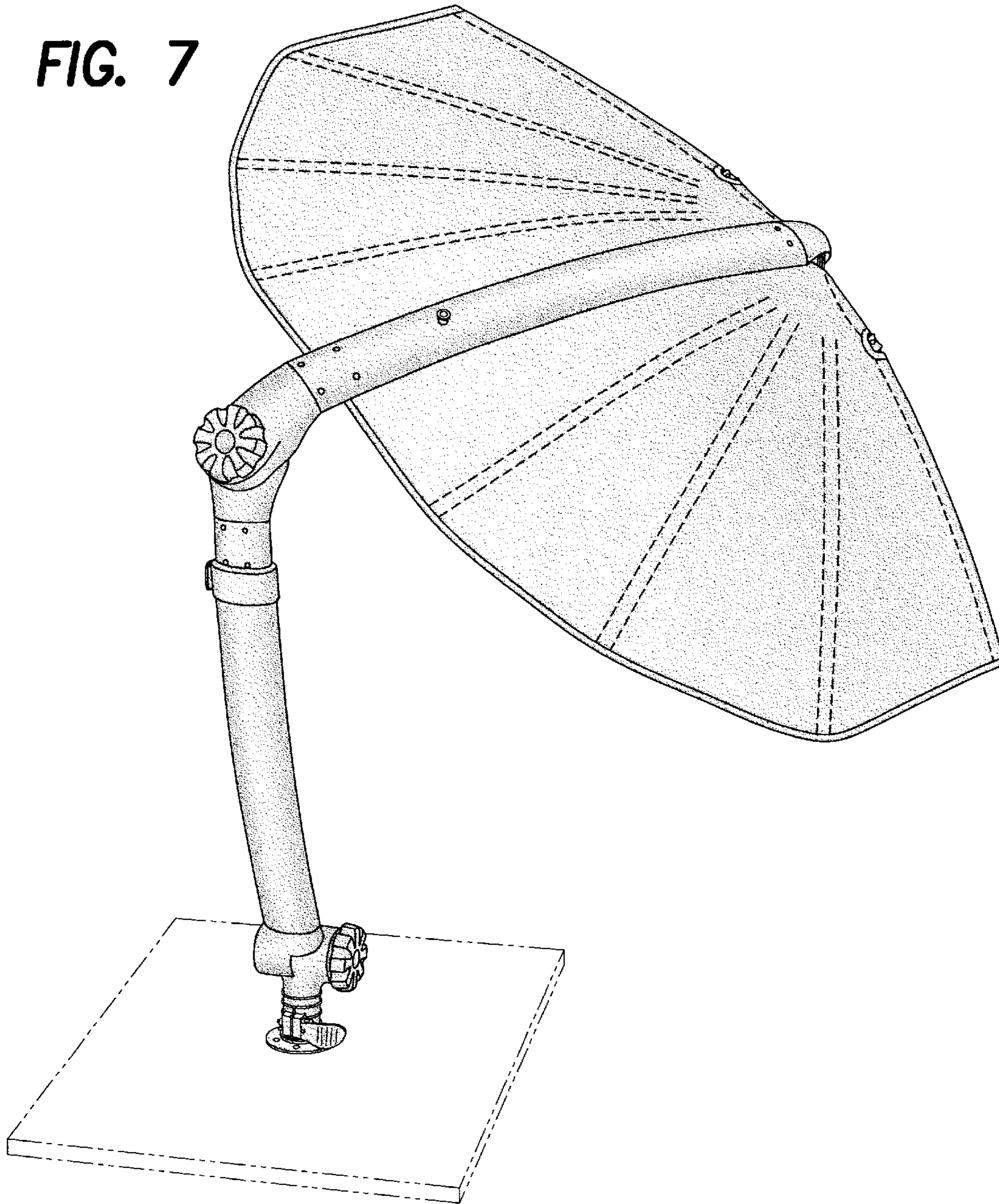
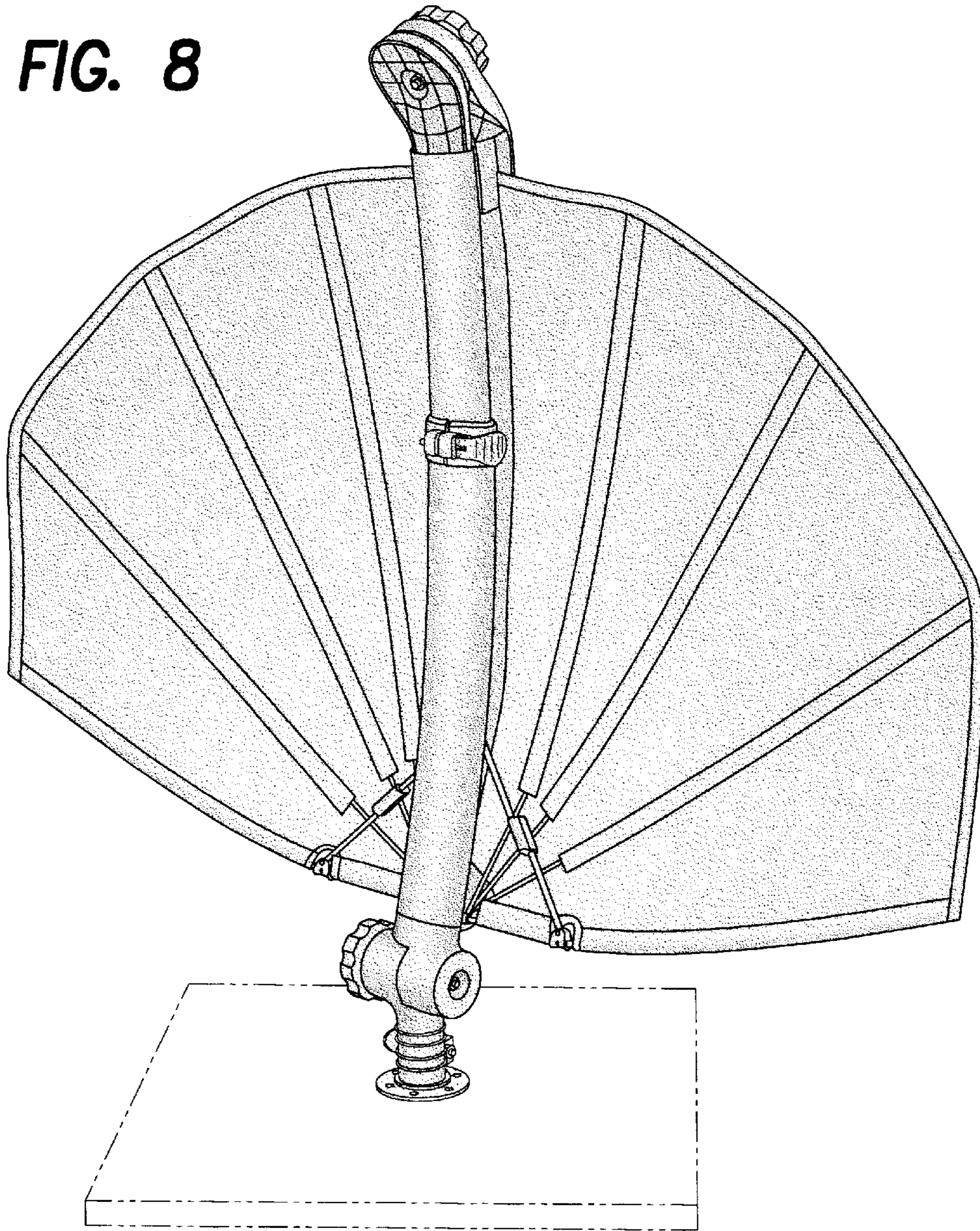


FIG. 8



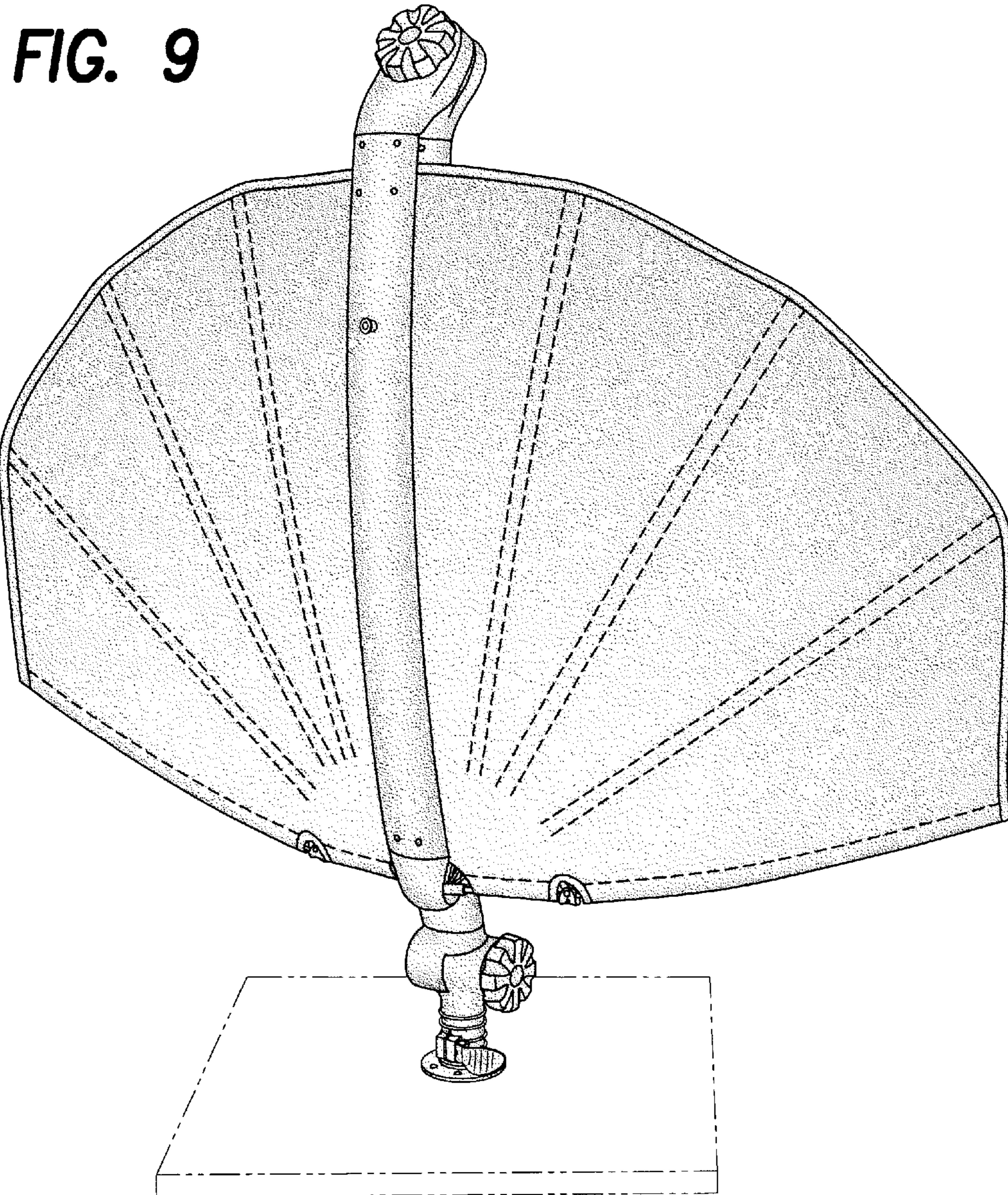


FIG. 10

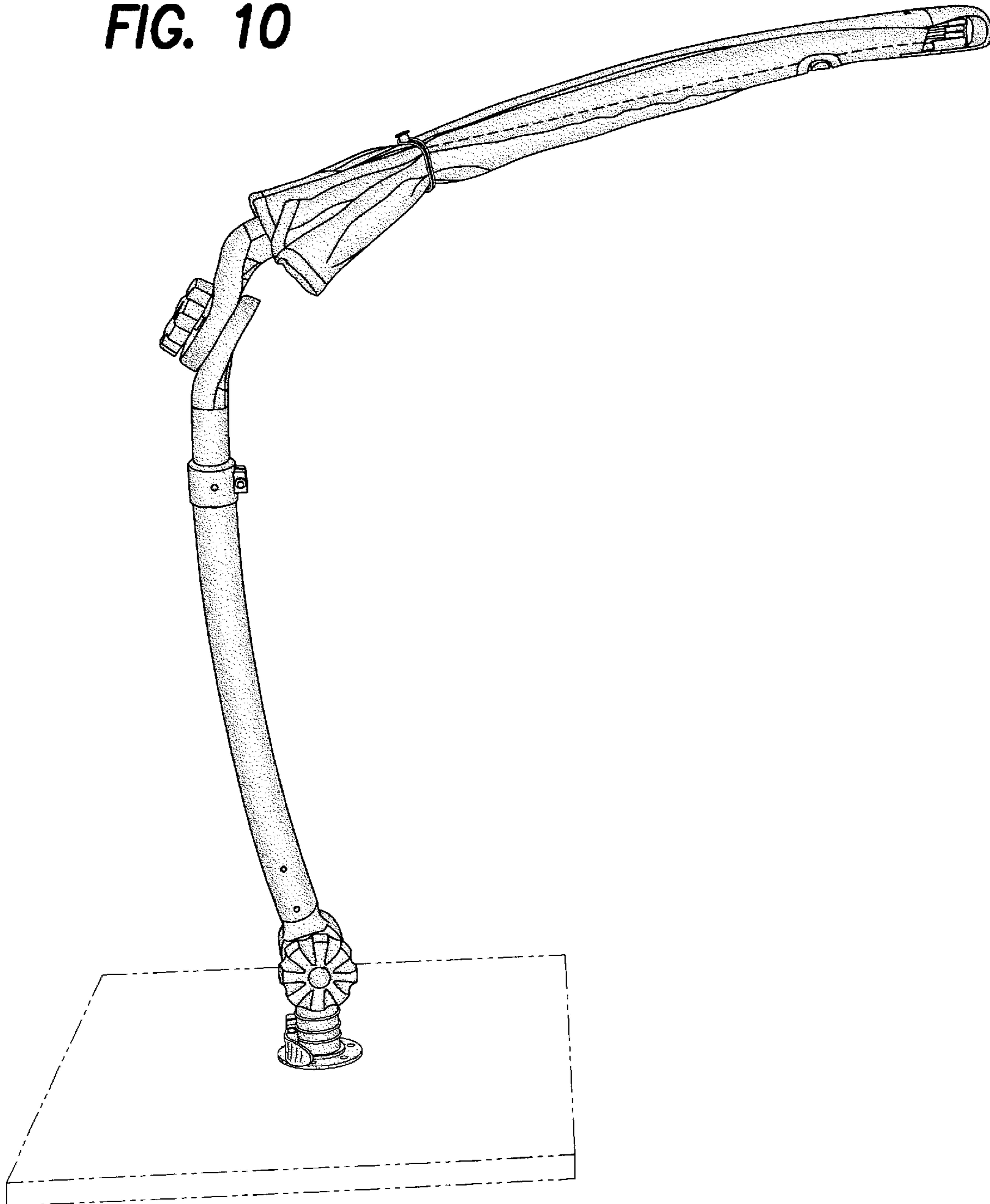


FIG. 11

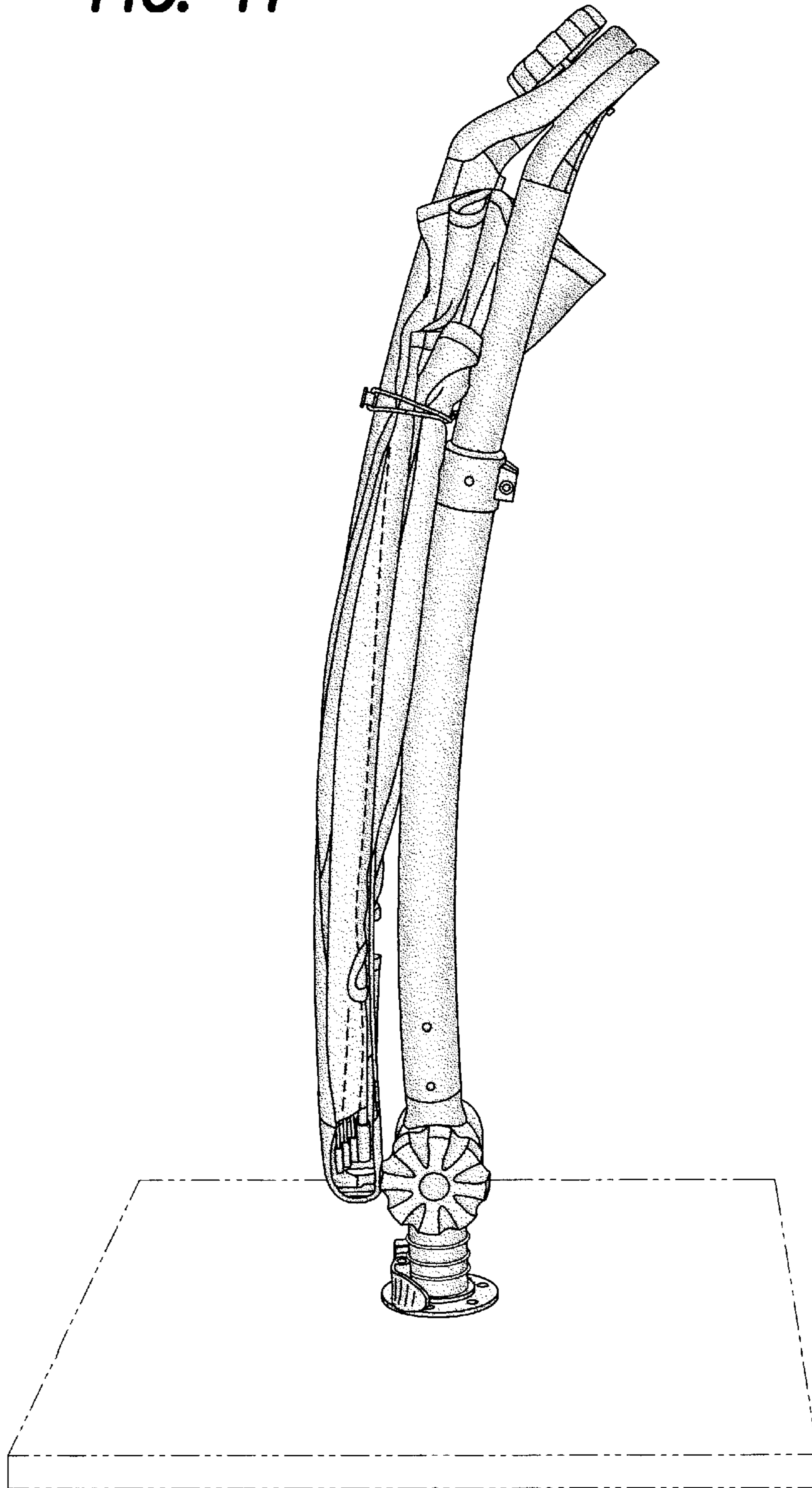


FIG. 12

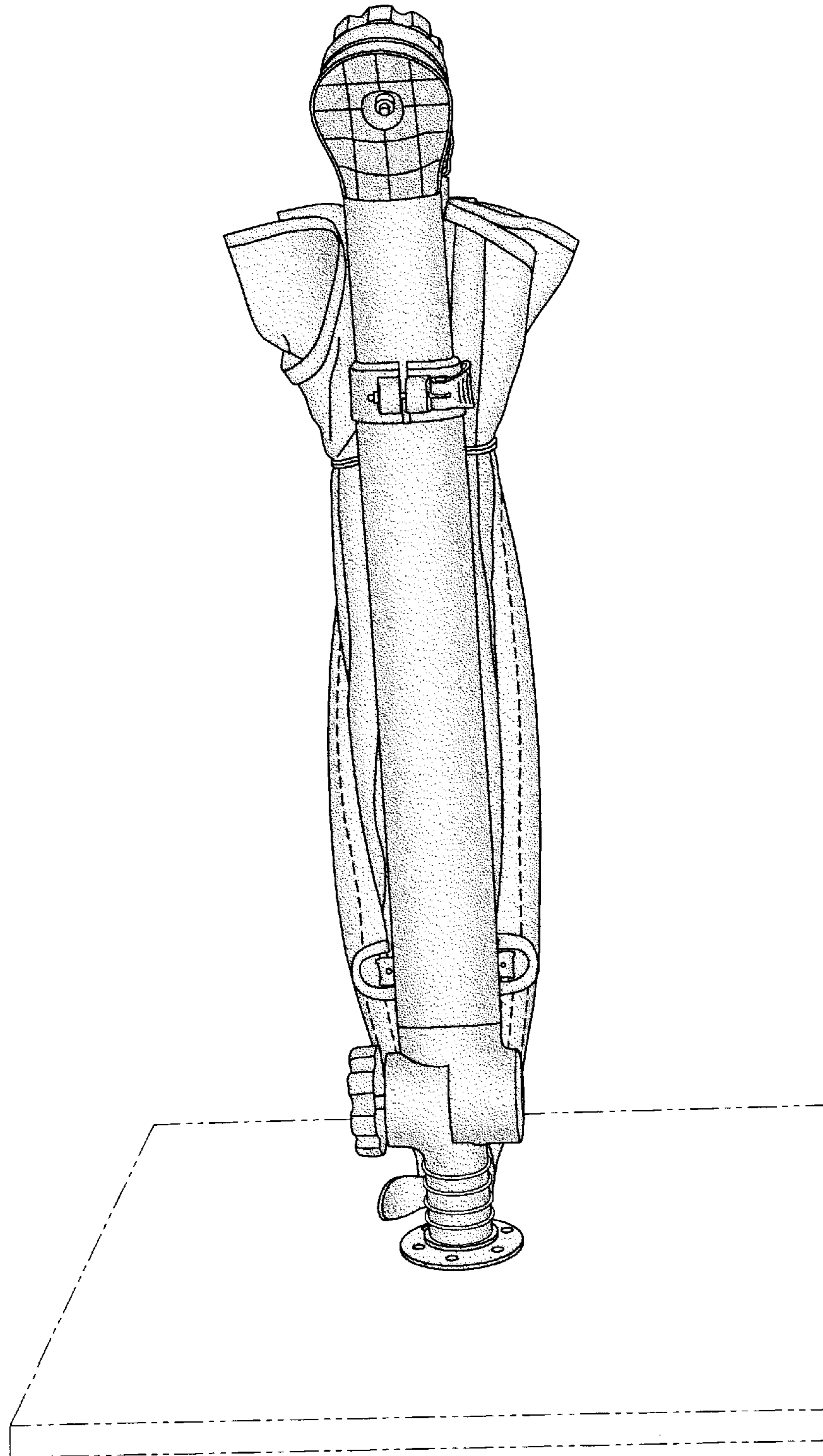


FIG. 13

