



US00D522604S

(12) **United States Design Patent**  
**Rieber**

(10) **Patent No.:** **US D522,604 S**  
(45) **Date of Patent:** **\*\* Jun. 6, 2006**

(54) **SLIDE**  
(75) Inventor: **Frederick M. Rieber**, Alum Bank, PA  
(US)  
(73) Assignee: **Solowave Investments Limited** (CA)  
(\*\*) Term: **14 Years**

D410,059 S 5/1999 Zeilinger  
D410,060 S \* 5/1999 Zeilinger ..... D21/818  
D427,272 S 6/2000 Sutton et al.  
D435,881 S \* 1/2001 Gardner et al. .... D21/827  
D436,224 S \* 1/2001 Gardner et al. .... D21/827  
6,342,015 B1 1/2002 Robertson et al.  
D460,511 S 7/2002 Van Deusen  
D483,089 S \* 12/2003 Johnson et al. .... D21/818

(21) Appl. No.: **29/229,869**  
(22) Filed: **May 13, 2005**  
(51) **LOC (8) Cl.** ..... **21-02**  
(52) **U.S. Cl.** ..... **D21/818**  
(58) **Field of Classification Search** ..... D21/811,  
D21/814, 818-827; 472/116, 117  
See application file for complete search history.

\* cited by examiner

*Primary Examiner*—Mitchell Siegel  
(74) *Attorney, Agent, or Firm*—Hall, Vande Sande & Pequinot

(57) **CLAIM**

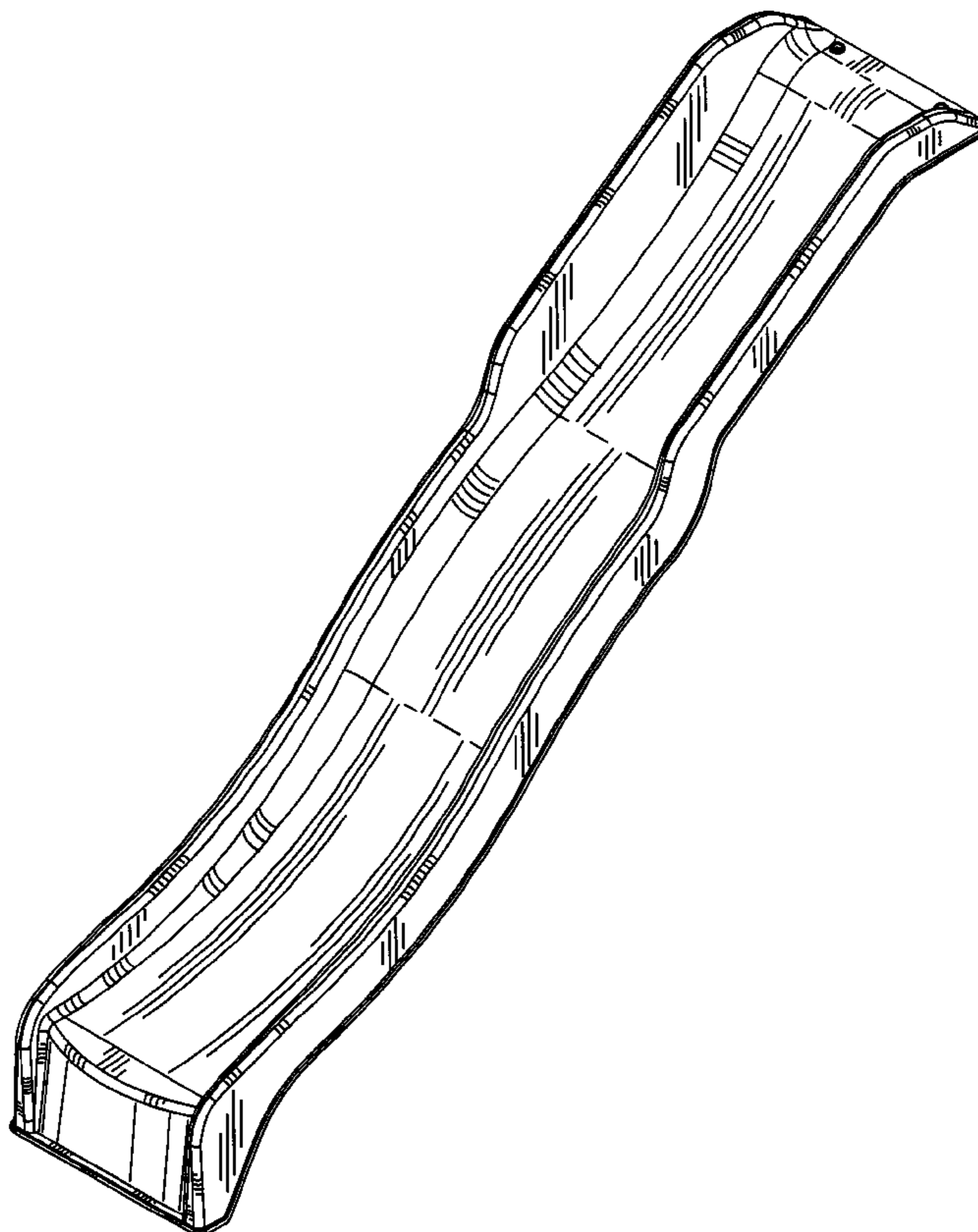
The ornamental design for a slide, as shown and described.

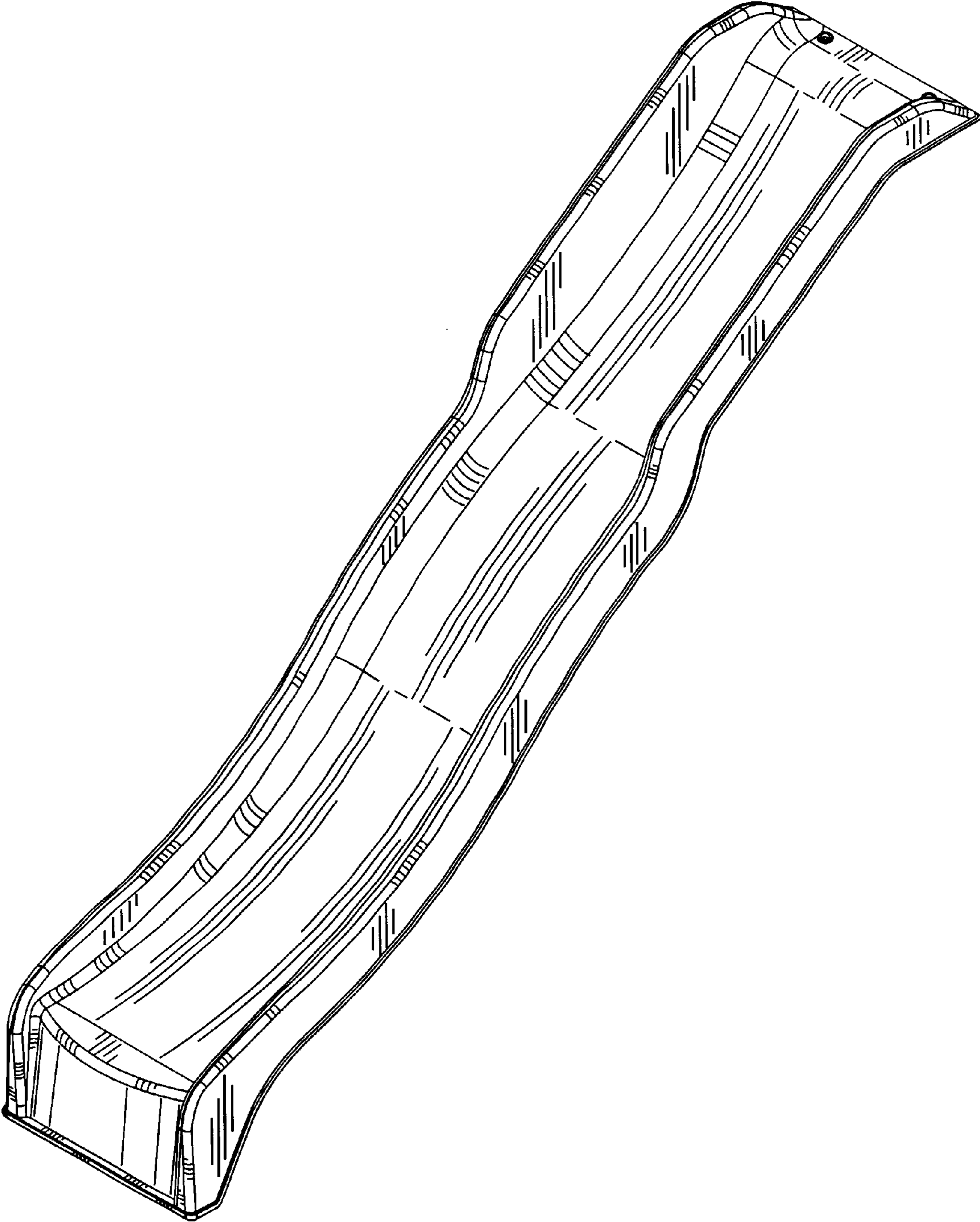
**DESCRIPTION**

FIG. 1 is a perspective view of a front side, a left side, and a top side of the slide;  
FIG. 2 is a perspective view of a rear side, a right side, and a bottom side thereof;  
FIG. 3 is an elevation view of the right side thereof;  
FIG. 4 is an elevation view of the front side thereof;  
FIG. 5 is an elevation view of the rear side thereof;  
FIG. 6 is a top view thereof; and,  
FIG. 7 is a bottom view thereof.  
The left side is a mirror image of the right side.

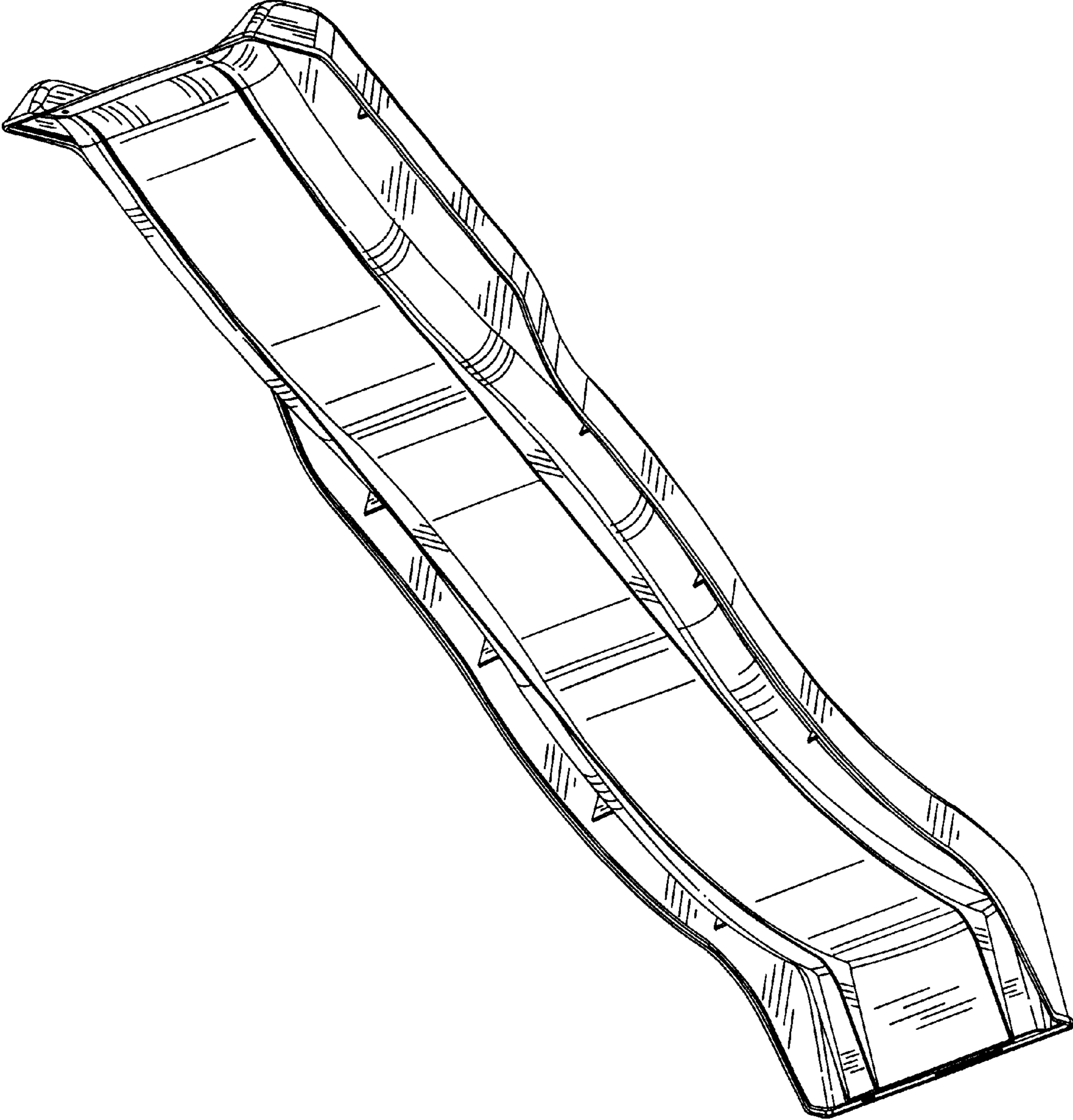
(56) **References Cited**  
U.S. PATENT DOCUMENTS  
3,302,949 A 2/1967 Wolfe  
3,343,793 A 9/1967 Waser  
D330,743 S \* 11/1992 Mercer ..... D21/818  
D336,674 S \* 6/1993 Baer ..... D21/818  
D363,521 S 10/1995 Gilles  
D384,722 S \* 10/1997 Siragusa et al. .... D21/818  
D388,148 S 12/1997 Sutton et al.  
D392,363 S 3/1998 Jonas  
5,860,867 A 1/1999 Van Deusen  
D409,708 S 5/1999 Zeilinger

**1 Claim, 5 Drawing Sheets**

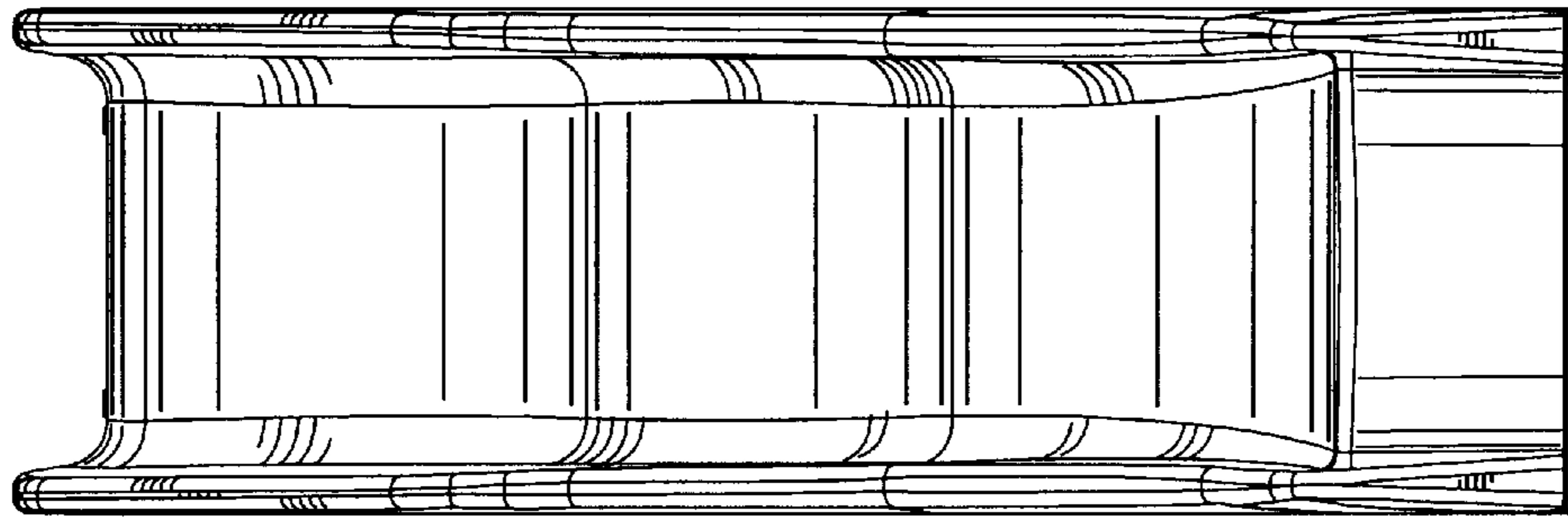




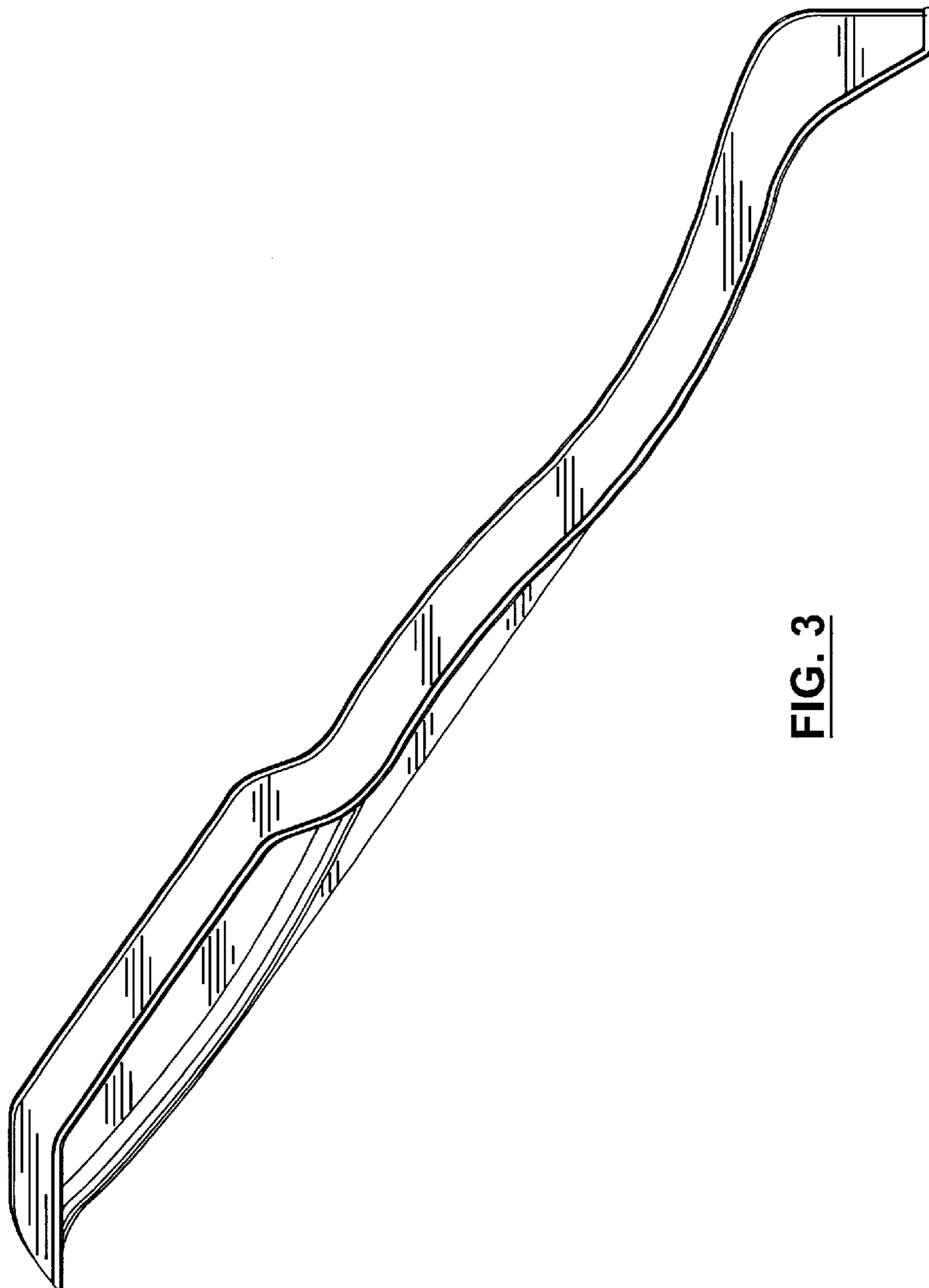
**FIG. 1**



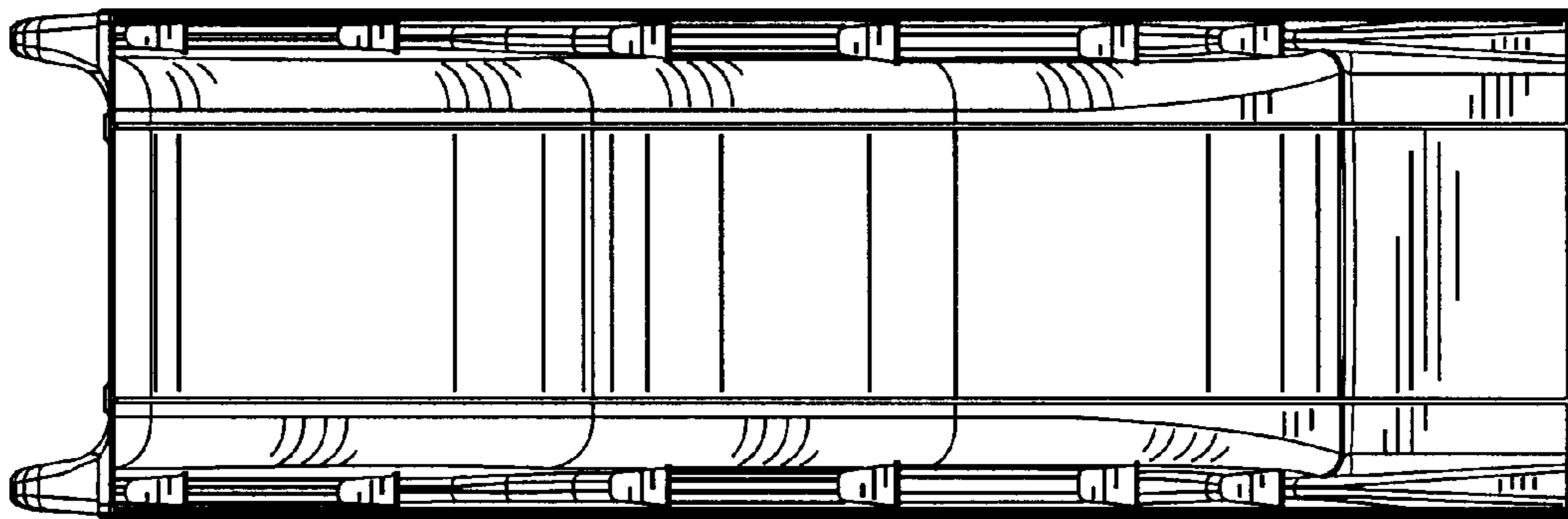
**FIG. 2**



**FIG. 4**



**FIG. 3**



**FIG. 5**

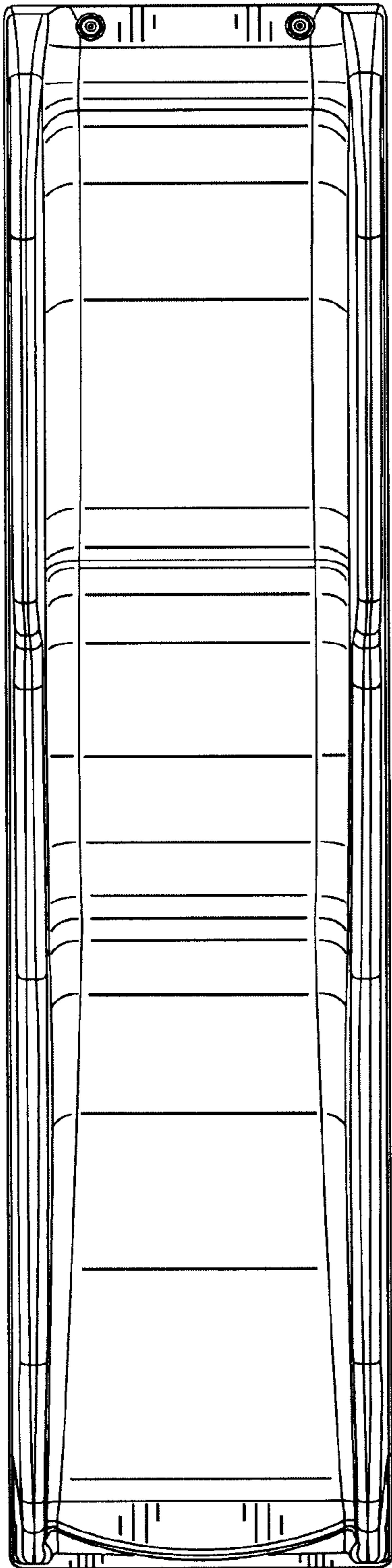


FIG. 6

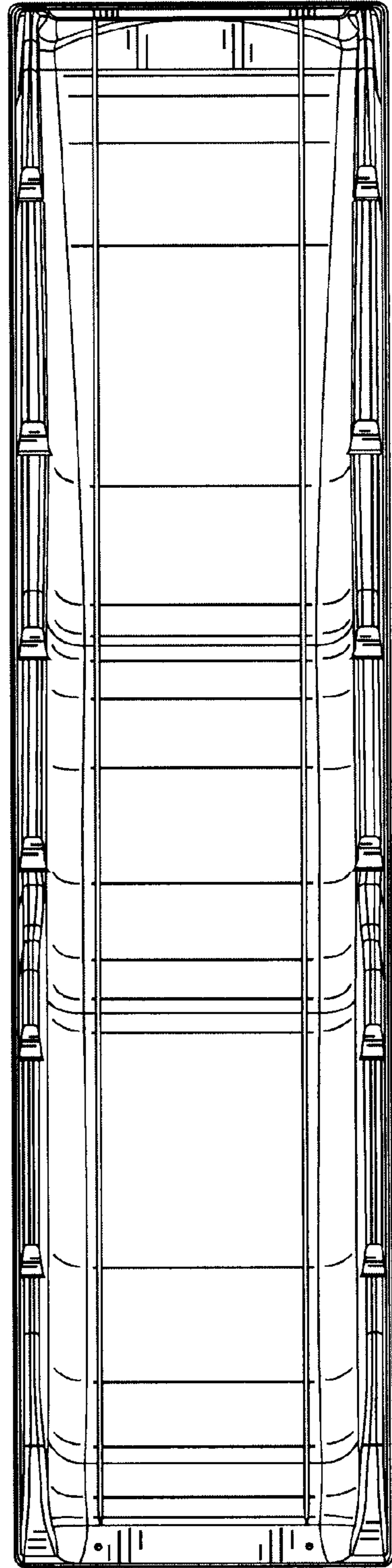


FIG. 7