



US00D522600S

(12) **United States Design Patent**
Lee

(10) **Patent No.:** **US D522,600 S**

(45) **Date of Patent:** **** Jun. 6, 2006**

(54) **GOLF PUTTER**

(76) Inventor: **Myung Cheul Lee**, 5536 Molina Rd.,
North Vancouver (CA), V7R 4P4

(**) Term: **14 Years**

(21) Appl. No.: **29/226,836**

(22) Filed: **Apr. 4, 2005**

(51) **LOC (8) Cl.** **21-02**

(52) **U.S. Cl.** **D21/746**

(58) **Field of Classification Search** D21/736-746;
473/324-331, 340, 341, 251-256, 241
See application file for complete search history.

(56) **References Cited**

U.S. PATENT DOCUMENTS

2,919,922	A	*	1/1960	Skelly	473/241
2,976,046	A	*	3/1961	McCullough, Jr.	473/241
D228,929	S	*	10/1973	Hoglund	D21/743
5,209,470	A	*	5/1993	Cimaroli et al.	473/241
D377,675	S	*	1/1997	Abel	D21/745
5,842,932	A	*	12/1998	Goddard	473/240
5,935,015	A	*	8/1999	Spiegel	473/226
D422,328	S	*	4/2000	Lannoch	D21/743
D483,824	S	*	12/2003	Tang et al.	D21/738
D494,236	S	*	8/2004	Shmoldas et al.	D21/736

D497,402 S * 10/2004 Moore D21/736
6,863,617 B1 * 3/2005 Park 473/226

* cited by examiner

Primary Examiner—Mitchell Siegel

(74) *Attorney, Agent, or Firm*—Park Law Firm; John K. Park

(57) **CLAIM**

The ornamental design for a golf putter, as shown and described.

DESCRIPTION

FIG. 1 is a perspective view of a golf putter showing my new design;

FIG. 2 is another perspective view thereof;

FIG. 3 is a front elevational view thereof;

FIG. 4 is a rear elevation view thereof;

FIG. 5 is a top plan view thereof;

FIG. 6 is a bottom plan view thereof; and,

FIG. 7 is a side elevational view thereof, the opposite side being a mirror image.

The broken lines showing of FIGS. 1-4 and 7 are for illustration purpose only and therefore establish no part of the claimed design.

1 Claim, 7 Drawing Sheets

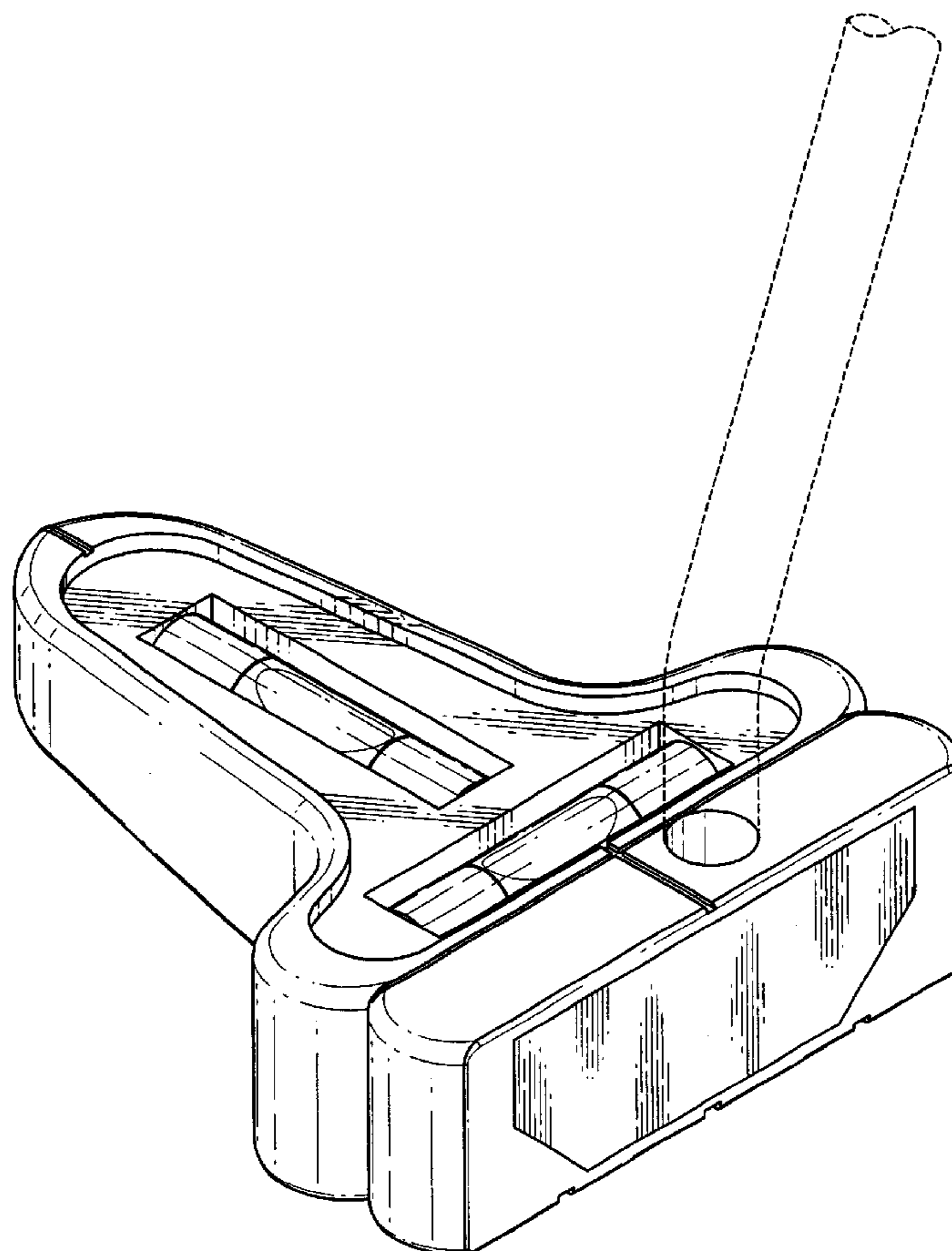


FIG. 1

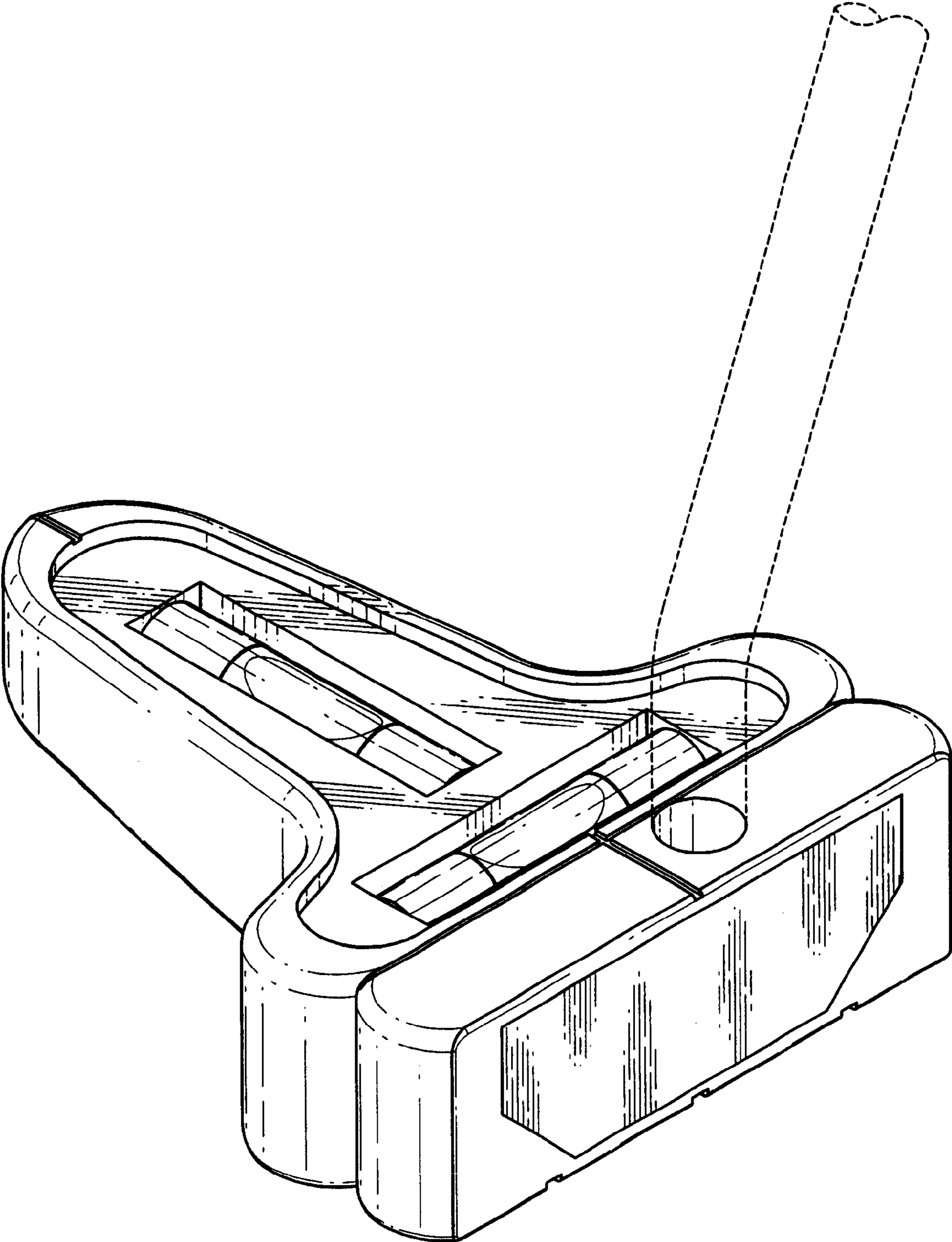


FIG. 2

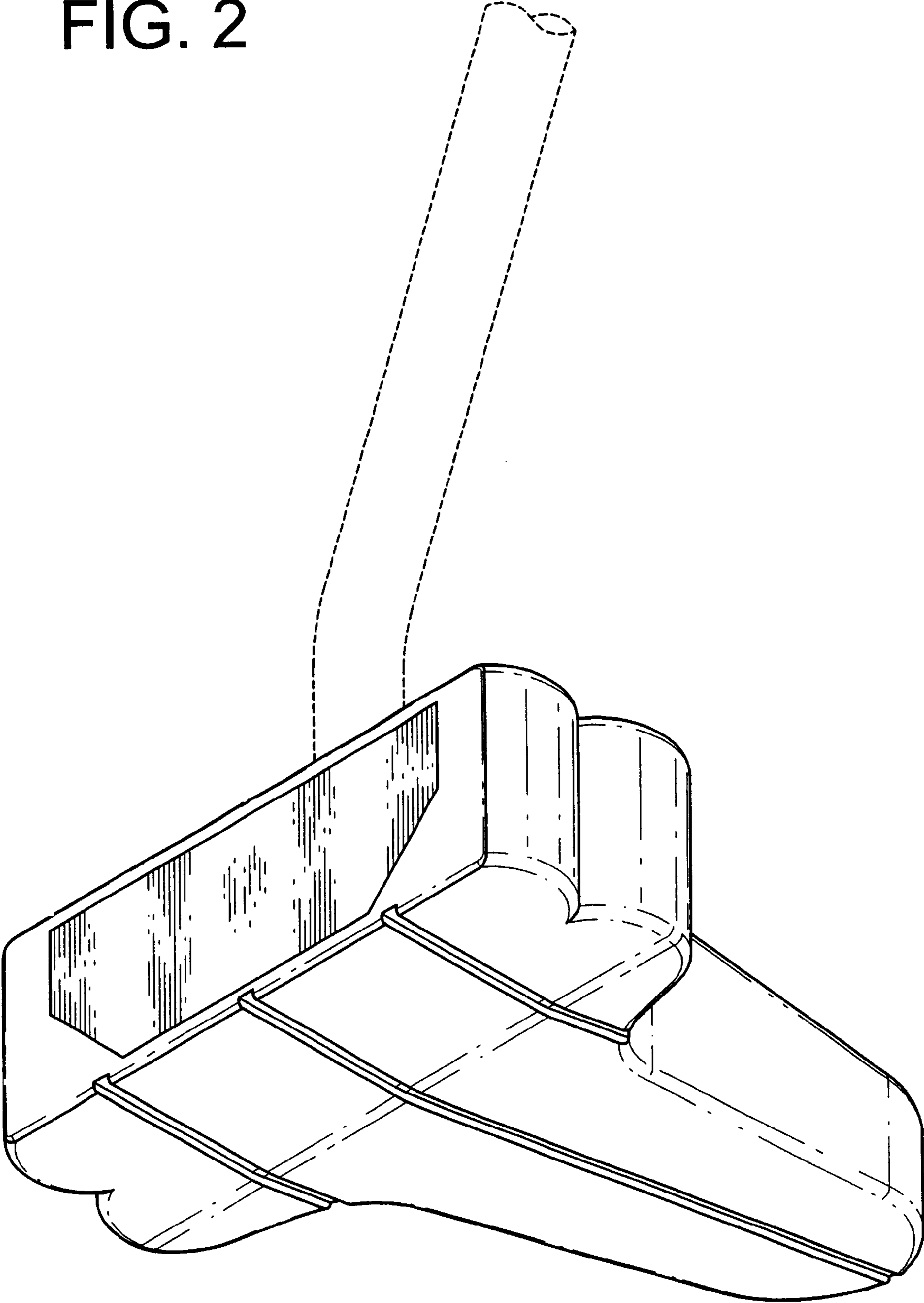


FIG. 3

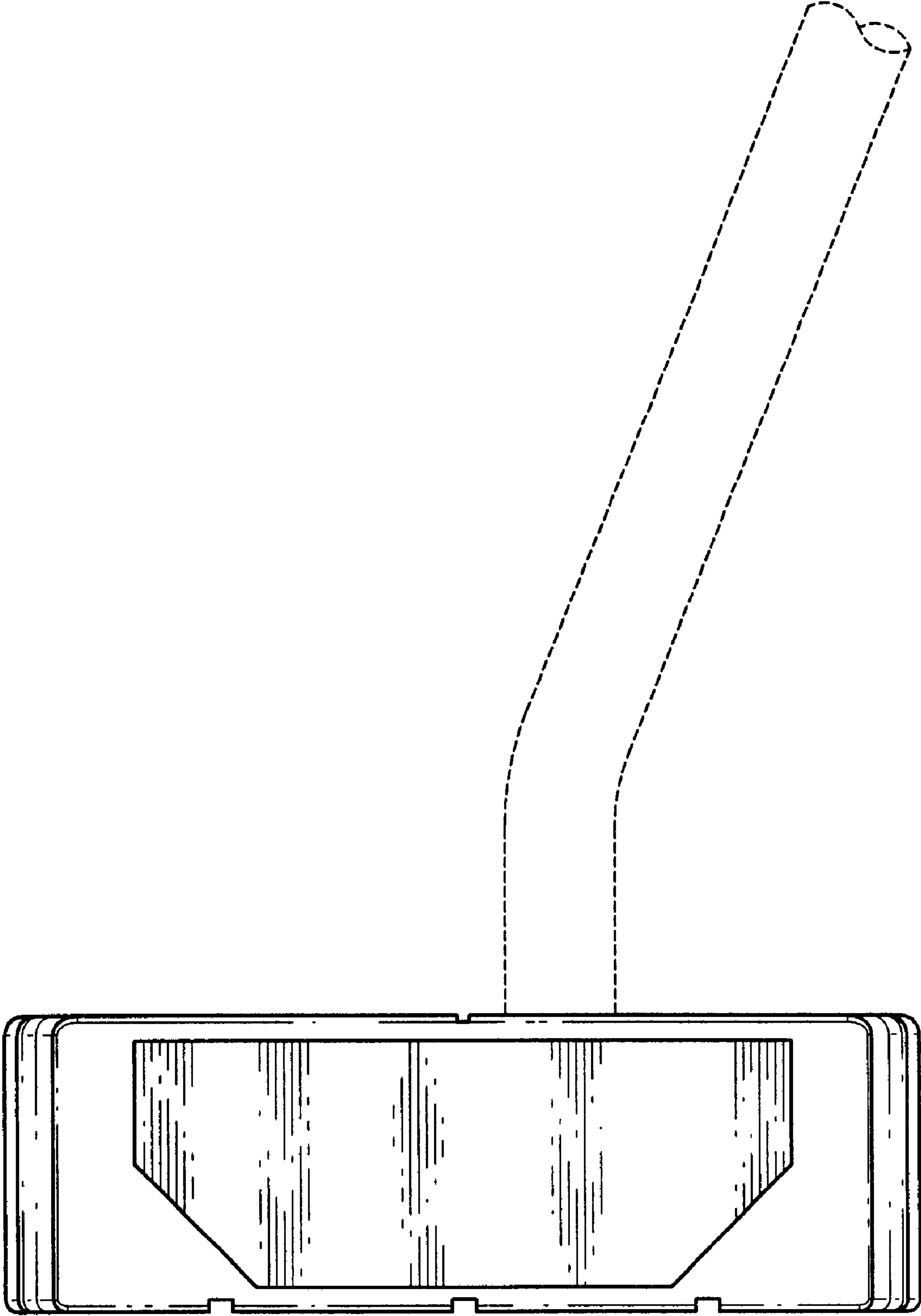


FIG. 4

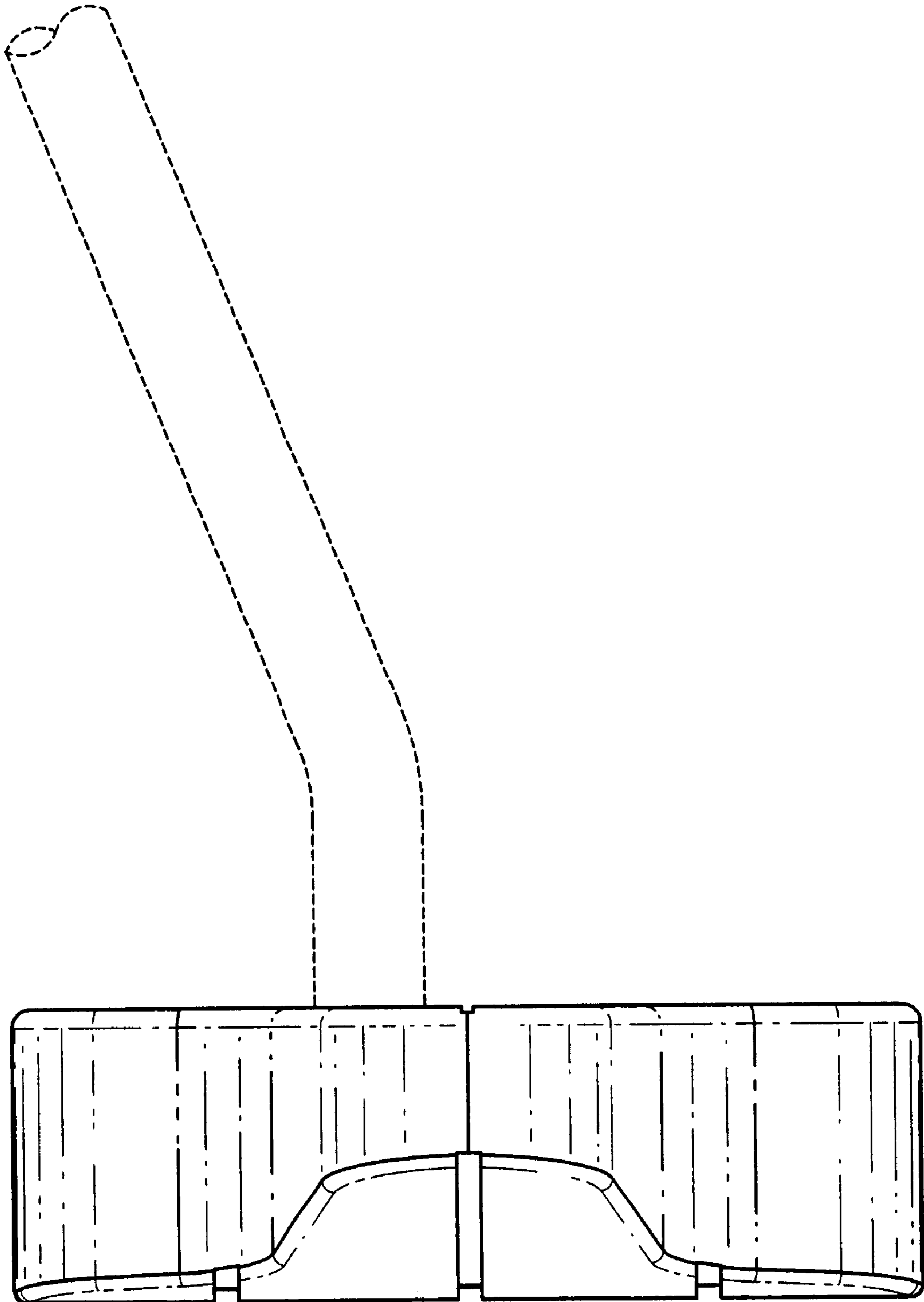


FIG. 5

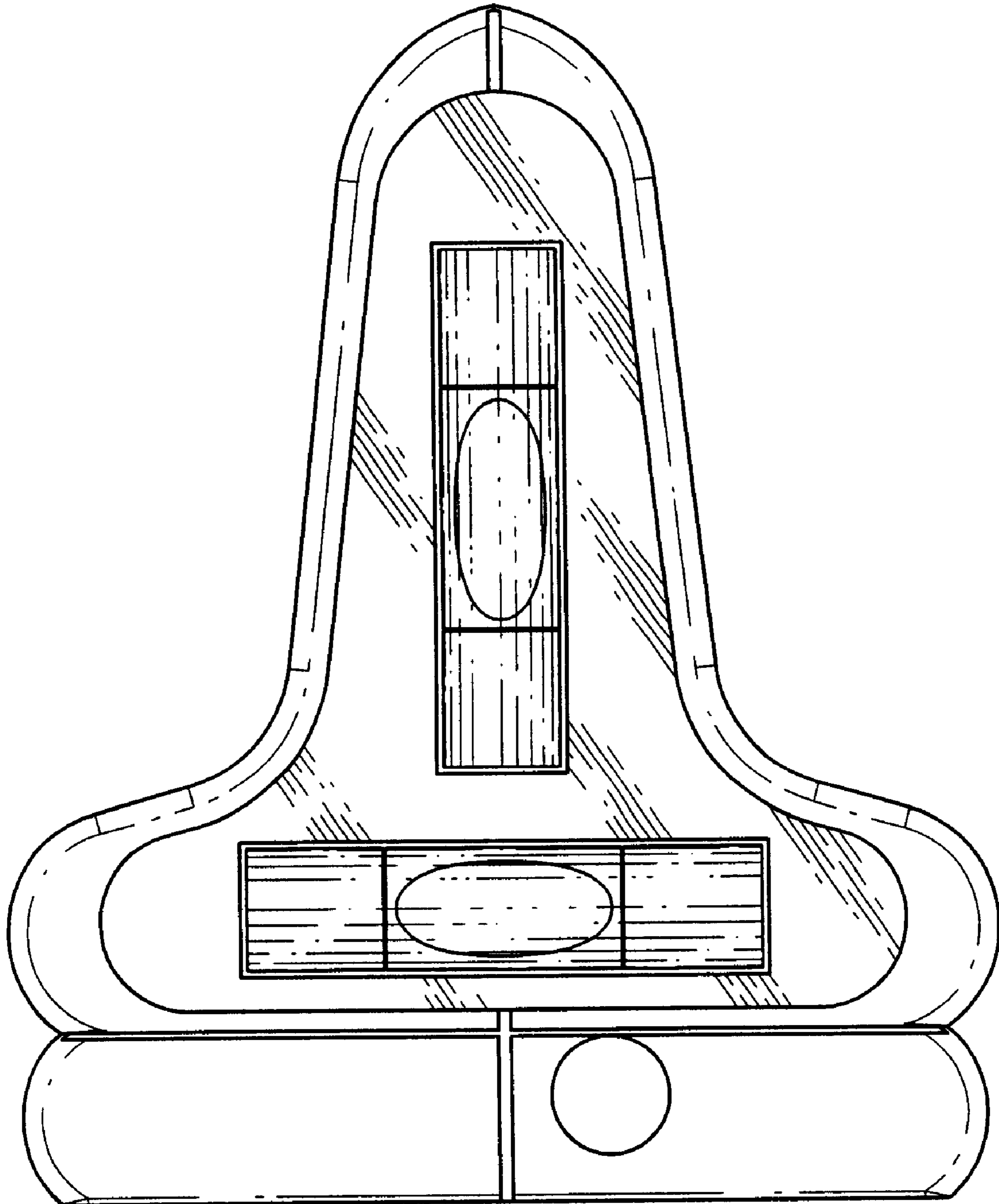


FIG. 6

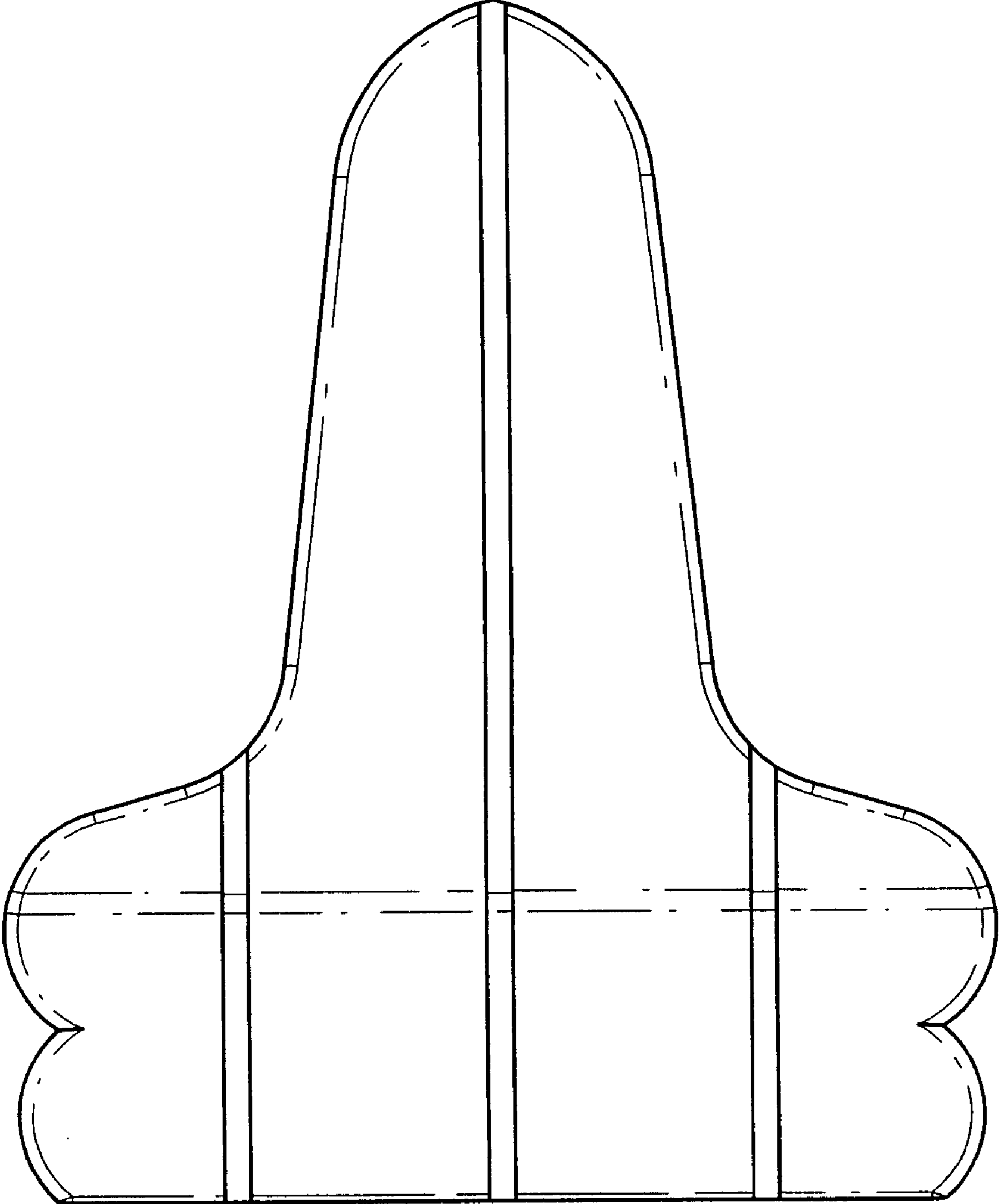


FIG. 7

