

US00D522598S

(12) **United States Design Patent**
Solheim et al.

(10) **Patent No.: US D522,598 S**
(45) **Date of Patent: ** *Jun. 6, 2006**

- (54) **GOLF PUTTER HEAD**
- (75) Inventors: **John A. Solheim**, Phoenix, AZ (US);
David D. Jones, Glendale, AZ (US);
Derek W. Haines, Evans, GA (US);
John K. Solheim, Anthem, AZ (US)
- (73) Assignee: **Karsten Manufacturing Corporation**,
Phoenix, AZ (US)
- (*) Notice: This patent is subject to a terminal dis-
claimer.
- (**) Term: **14 Years**
- (21) Appl. No.: **29/219,572**

- 5,160,141 A 11/1992 Crews
- D334,039 S 3/1993 Tanaka
- 5,213,332 A 5/1993 Fahy et al.
- D341,405 S 11/1993 Solheim
- 5,482,281 A 1/1996 Anderson
- D379,484 S 5/1997 Solheim
- 5,630,765 A 5/1997 Moore
- D380,029 S 6/1997 Anderson
- D399,911 S 10/1998 Nicolette et al.
- 5,830,078 A 11/1998 McMahan
- D402,722 S 12/1998 Rollinson
- 5,842,935 A 12/1998 Nelson
- D405,137 S 2/1999 Nelson
- 5,871,407 A 2/1999 Tseng
- D410,717 S 6/1999 Anderson
- D411,271 S 6/1999 Nelson

(Continued)

(22) Filed: **Dec. 16, 2004**

Primary Examiner—Mitchell Siegel
(74) *Attorney, Agent, or Firm*—Darrell F. Marquette

Related U.S. Application Data

- (63) Continuation-in-part of application No. 29/192,498, filed on
Oct. 23, 2003, now Pat. No. Des. 500,110.
- (51) **LOC (8) Cl.** **21-02**
- (52) **U.S. Cl.** **D21/742**
- (58) **Field of Classification Search** D21/736–746,
D21/759; 473/324–331, 251–256, 340, 341
See application file for complete search history.

(57) **CLAIM**

The ornamental design for a golf putter head, as shown and
described.

DESCRIPTION

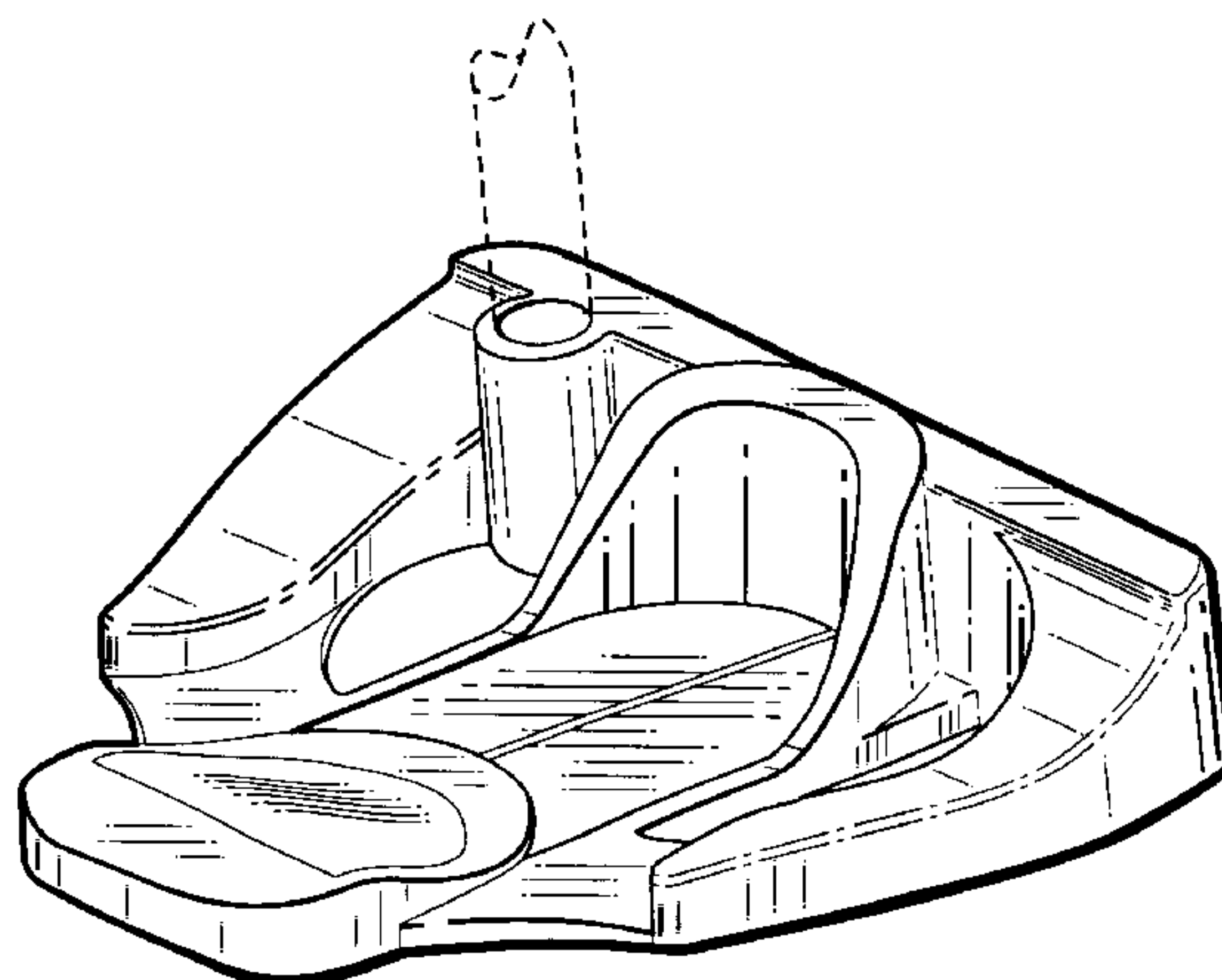
FIG. 1 is a perspective view of a golf putter head showing
our new design;
FIG. 2 is a rear elevational view of the golf putter head
shown in FIG. 1;
FIG. 3 is a front elevational view of the golf putter head
shown in FIG. 1;
FIG. 4 is a toe end view of the golf putter head shown in
FIG. 1;
FIG. 5 is a heel end view of the golf putter head shown in
FIG. 1;
FIG. 6 is a top view of the golf putter head shown in FIG.
1; and,
FIG. 7 is a bottom view of the golf putter head shown in FIG.
1.
The broken line showing of a shaft portion in FIGS. 1–5 is
for illustrative purposes only and forms no part of the
claimed design.

(56) **References Cited**

U.S. PATENT DOCUMENTS

- D58,209 S 6/1921 Bacheller
- D163,083 S 5/1951 Belline
- 2,954,231 A 9/1960 MacIntyre
- D218,178 S 7/1970 Solheim
- D230,869 S 3/1974 Winter
- D234,980 S 4/1975 Swash
- D235,668 S 7/1975 Swash
- 4,010,958 A 3/1977 Long
- D255,373 S 6/1980 Solheim
- 4,444,395 A 4/1984 Reiss
- D282,952 S 3/1986 Mattingly
- 4,815,739 A 3/1989 Donica
- 5,058,895 A 10/1991 Igarashi
- 5,116,047 A 5/1992 Phelan

1 Claim, 2 Drawing Sheets



US D522,598 S

Page 2

U.S. PATENT DOCUMENTS

5,916,035 A	6/1999	Caiozzo	D474,821 S	5/2003	Wells et al.
6,017,280 A	1/2000	Hubert	D484,935 S	1/2004	Tang
6,059,669 A	5/2000	Pearce	D485,321 S	1/2004	Breier et al.
6,080,070 A	6/2000	Whitley	D488,526 S	4/2004	Souza et al.
D437,017 S	1/2001	Ford	D493,857 S	8/2004	Cameron
D444,833 S	7/2001	Wells et al.	D496,417 S	9/2004	Tang
D449,865 S	10/2001	Fife, Jr. et al.	D496,418 S	9/2004	Tang
D451,973 S	12/2001	Wells et al.	6,796,911 B1	9/2004	Grace
6,350,208 B1	2/2002	Ford	D499,778 S	12/2004	Cameron
D460,990 S	7/2002	Jung	D500,109 S	12/2004	Solheim et al.
D461,860 S	8/2002	Tang	D500,110 S	12/2004	Solheim et al.
D472,949 S	4/2003	Serrano	6,837,801 B1	1/2005	Souza et al.

* cited by examiner

Fig.1

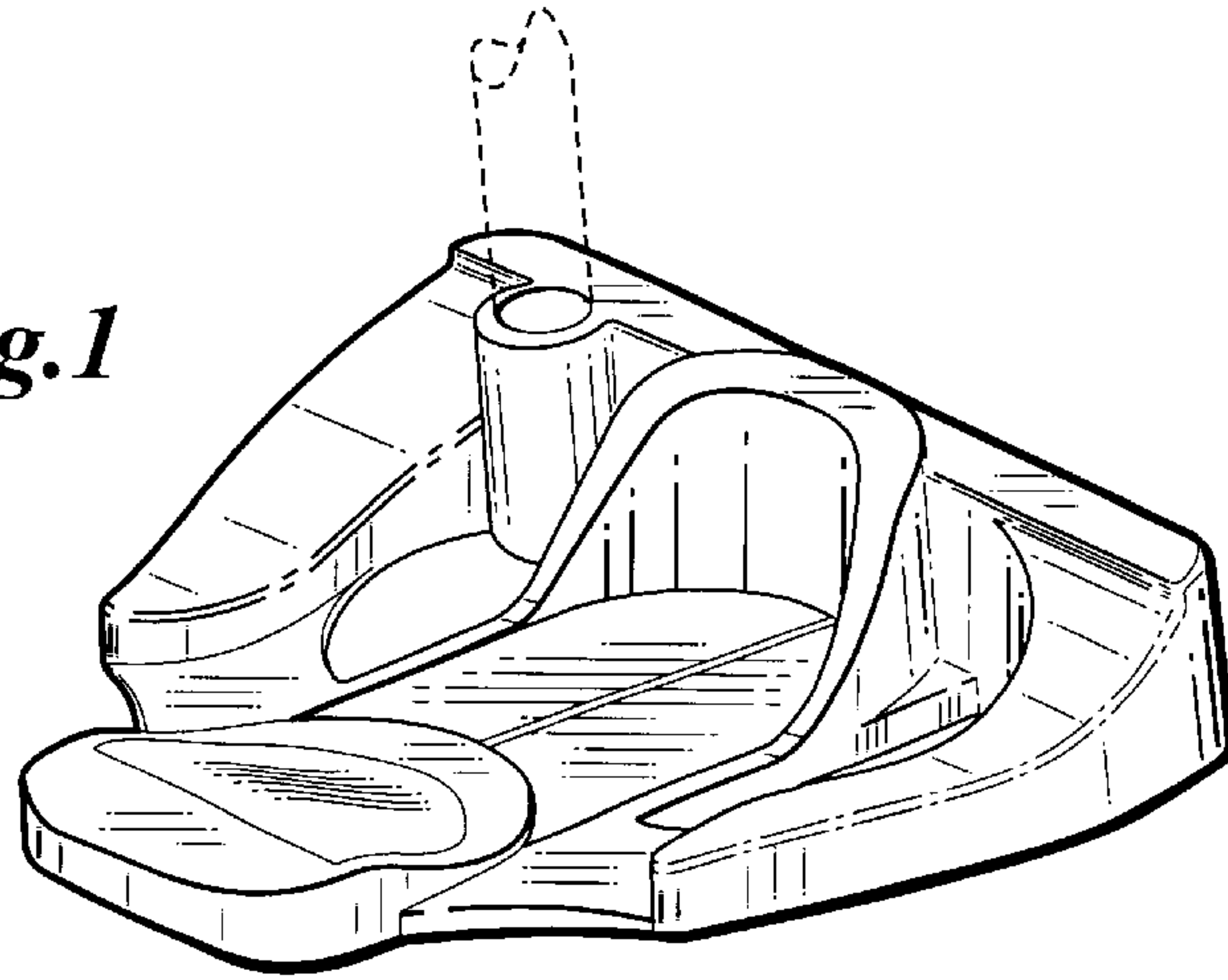


Fig.2

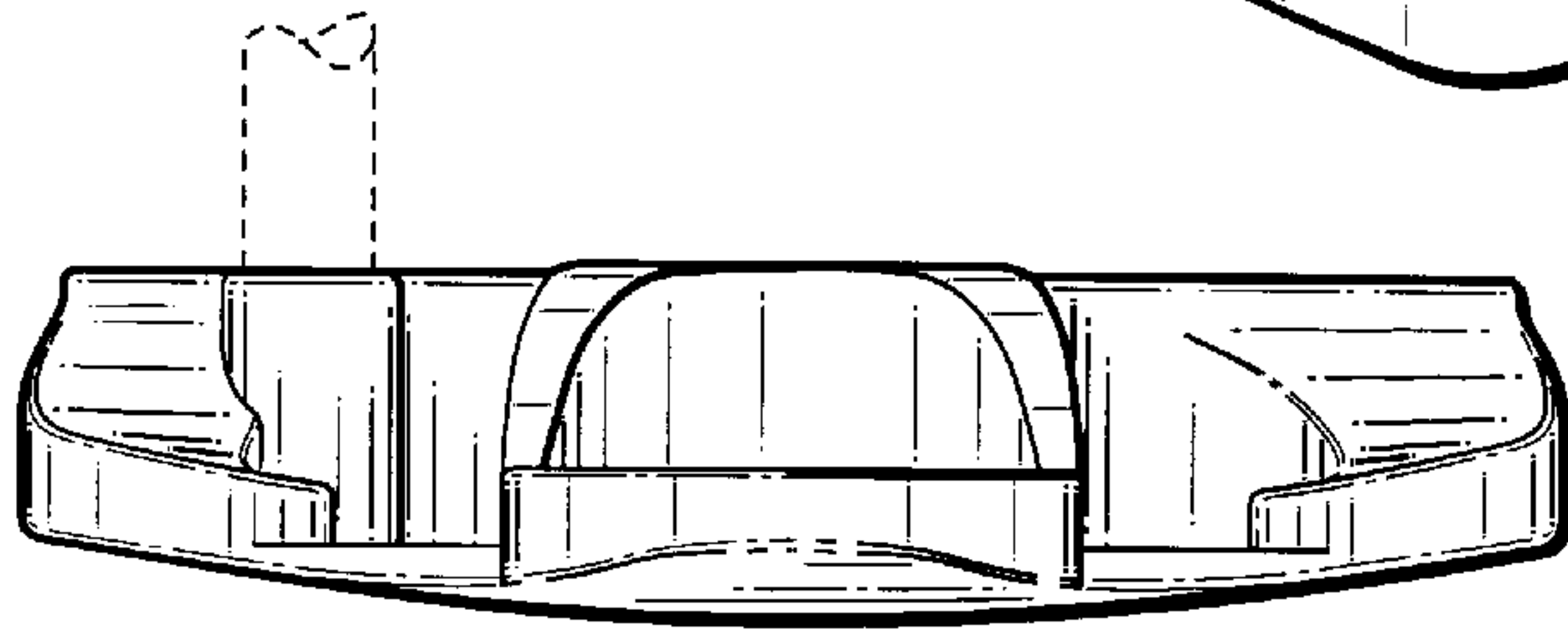


Fig.3

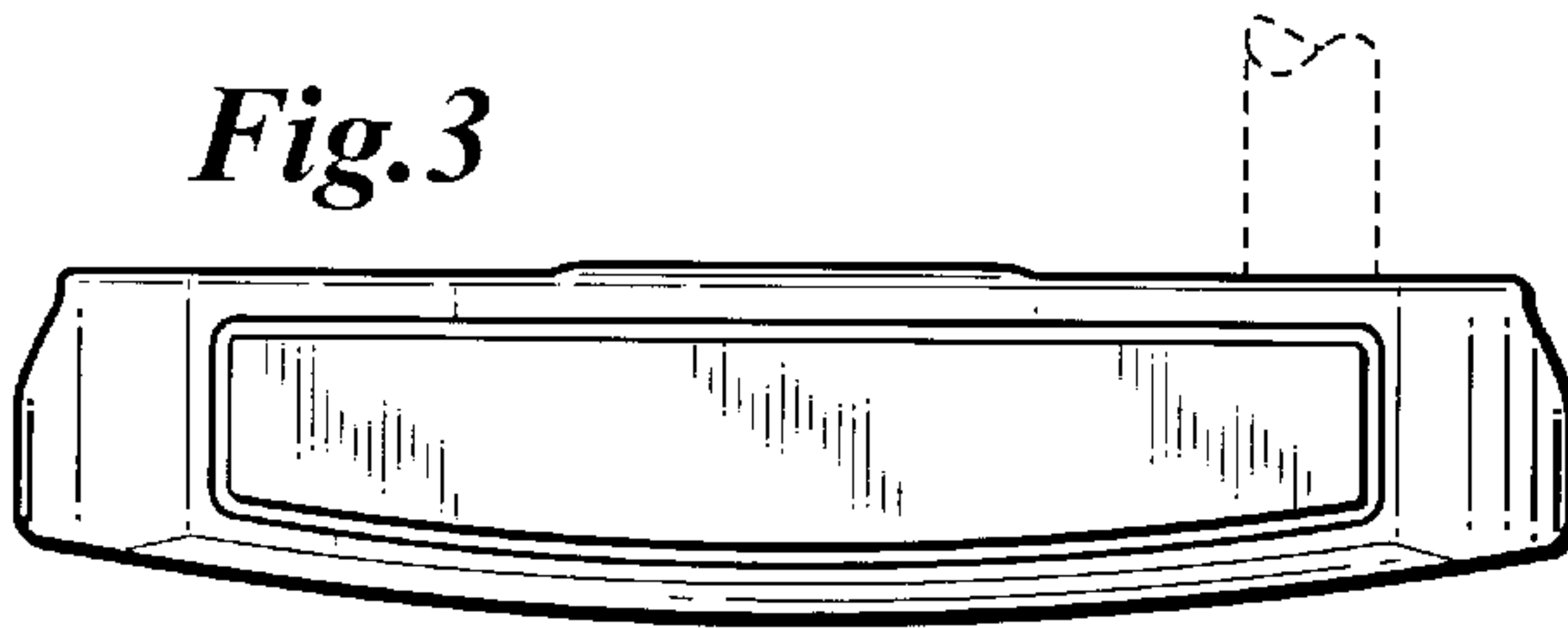


Fig.4

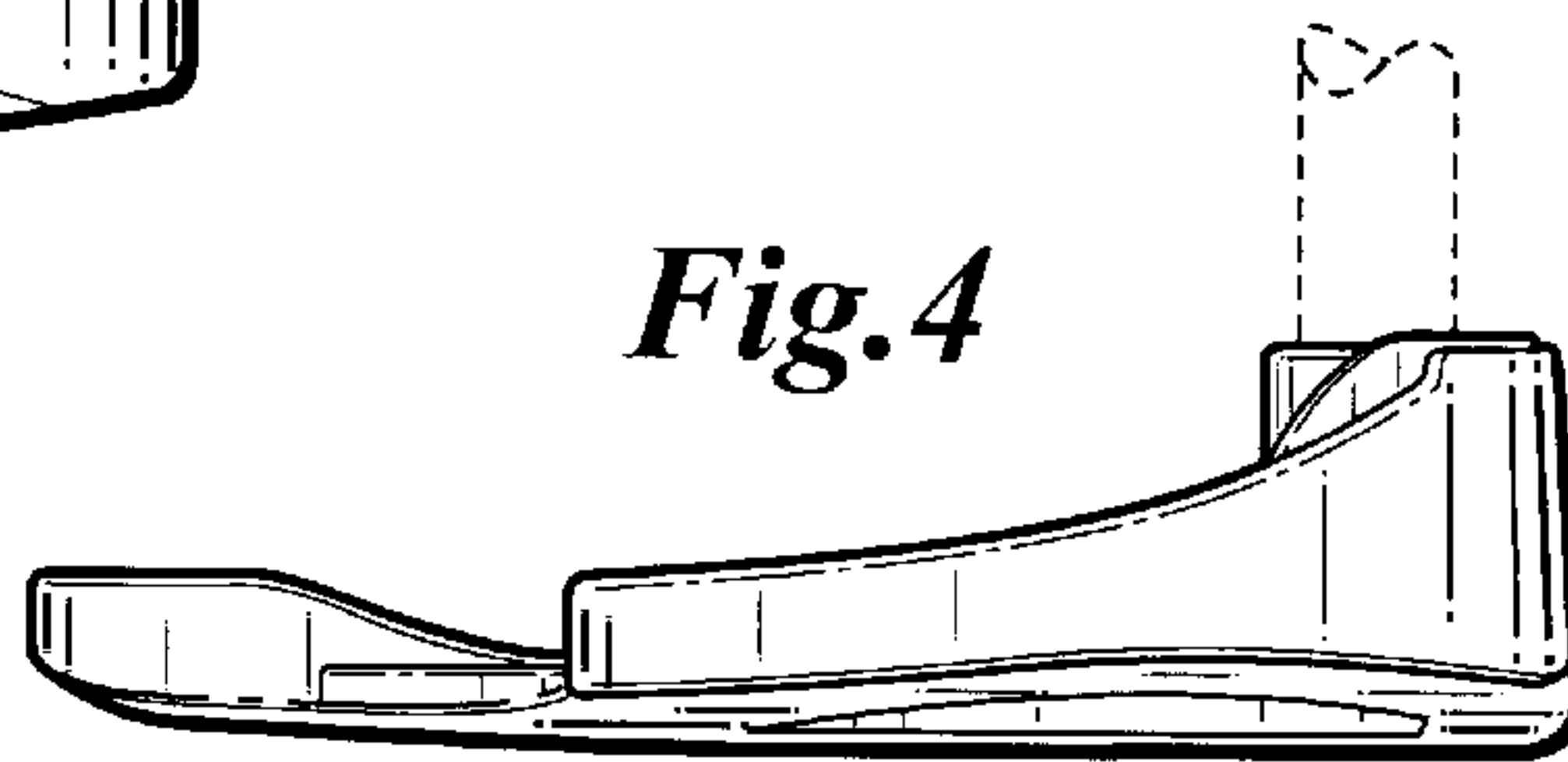


Fig.5

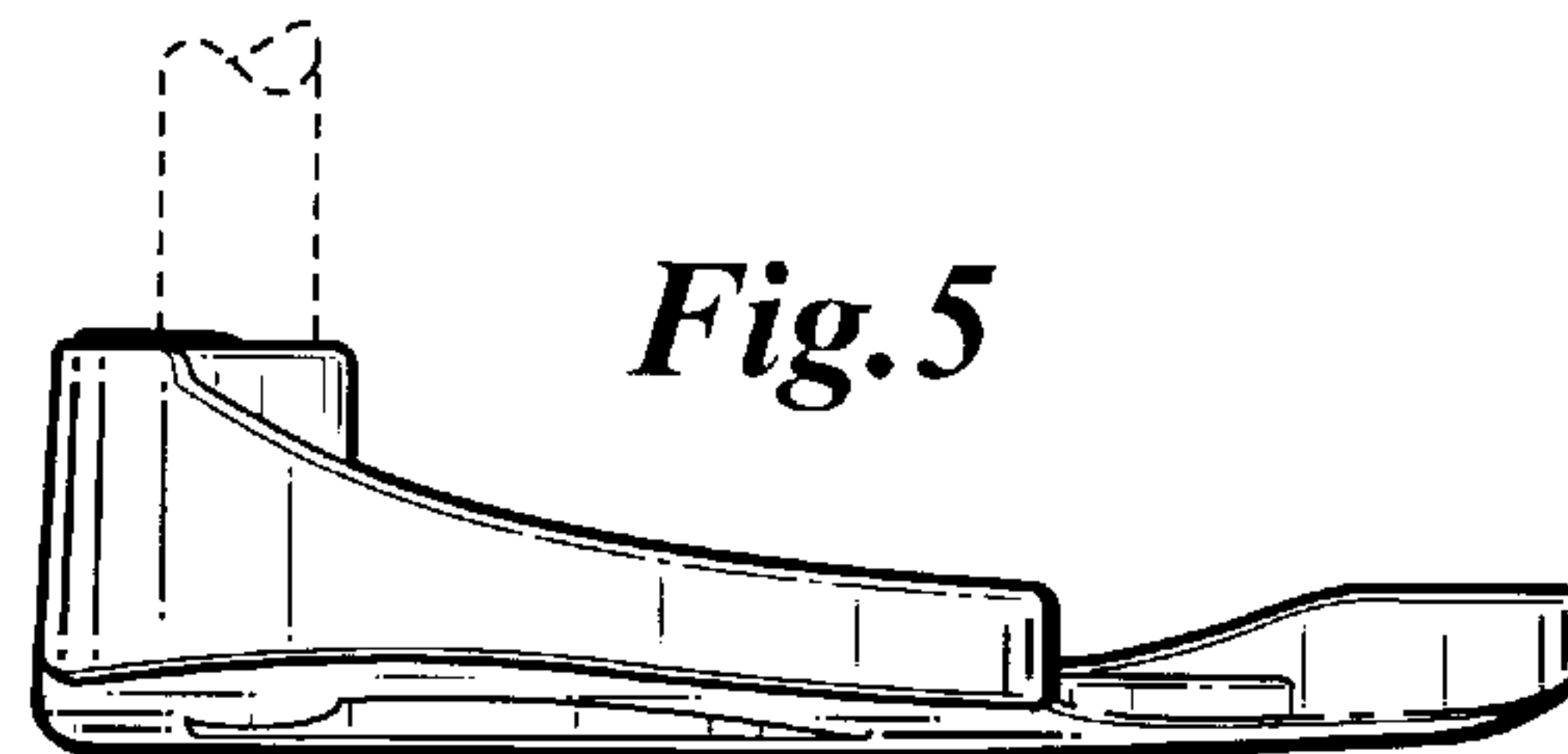


Fig. 6

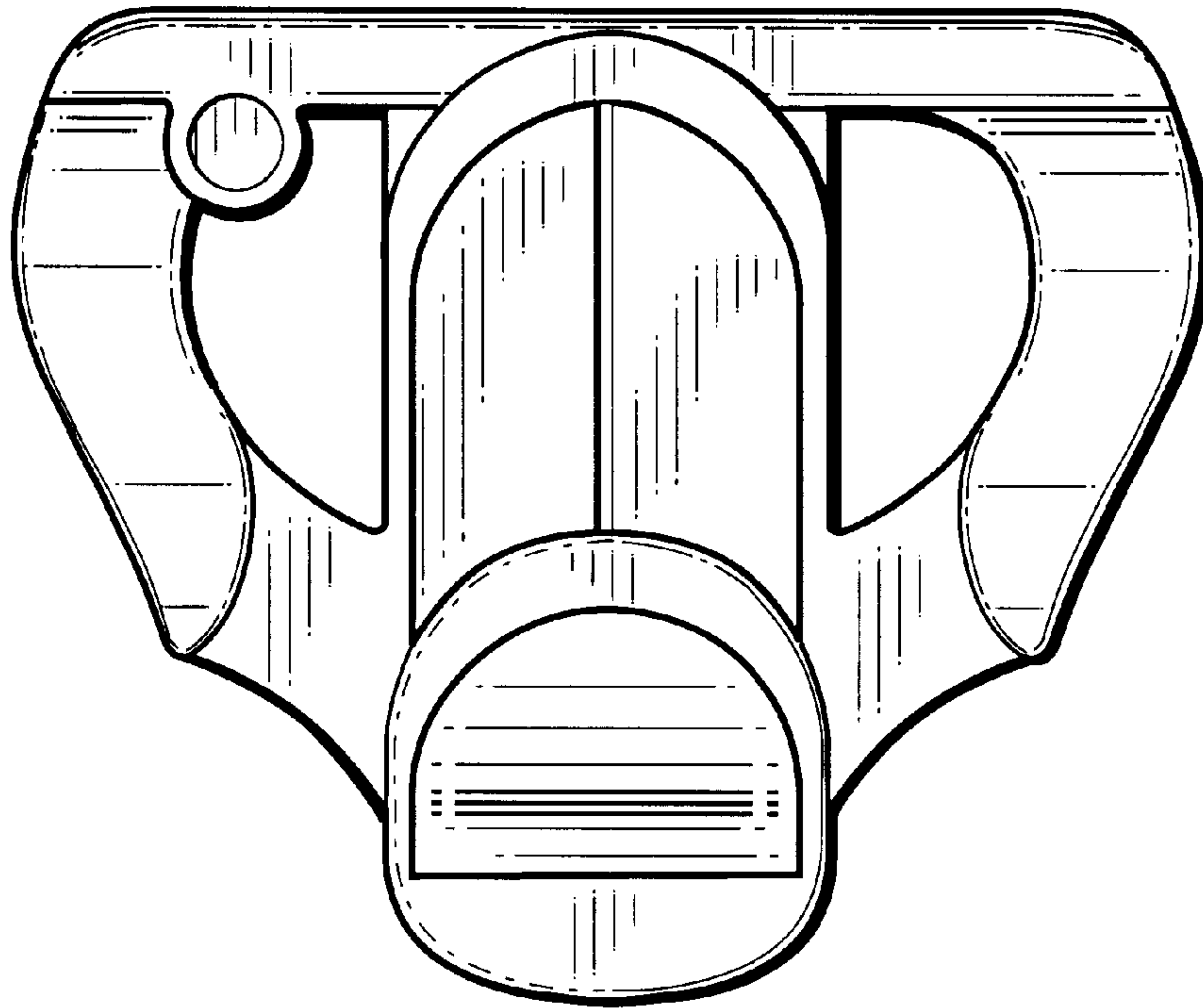


Fig. 7

