

US00D522590S

(12) **United States Design Patent**
Wood

(10) **Patent No.:** **US D522,590 S**
(45) **Date of Patent:** **** Jun. 6, 2006**

(54) **MAGNET DART**

(75) Inventor: **George W. Wood**, Minneapolis, MN
(US)

(73) Assignee: **Lockermate Corporation**, Minneapolis,
MN (US)

(**) Term: **14 Years**

(21) Appl. No.: **29/215,305**

(22) Filed: **Oct. 18, 2004**

(51) **LOC (8) Cl.** **21-01**

(52) **U.S. Cl.** **D21/387**

(58) **Field of Classification Search** D21/385-387,
D21/404; 273/348.2, 348.3; 473/570, 572,
473/578

See application file for complete search history.

(56) **References Cited**

U.S. PATENT DOCUMENTS

| | | | | | | |
|-----------|---|---|---------|---------------|-------|-----------|
| 1,774,765 | A | * | 9/1930 | Schoen | | 473/572 |
| 2,477,531 | A | | 7/1949 | Volman | | |
| 2,665,911 | A | | 1/1954 | Shore | | |
| 3,107,097 | A | * | 10/1963 | Warden | | 473/572 |
| 3,997,162 | A | * | 12/1976 | Scullin | | 273/348.3 |
| 4,119,316 | A | | 10/1978 | Kettlestrings | | |

| | | | | | | |
|-----------|----|---|---------|----------------|-------|-----------|
| D268,036 | S | * | 2/1983 | Cagan et al. | | D21/387 |
| 5,066,017 | A | * | 11/1991 | Kurland | | 473/572 |
| 5,358,253 | A | * | 10/1994 | Chen | | 273/348.2 |
| D361,797 | S | | 8/1995 | Kulik | | |
| 5,613,684 | A | | 3/1997 | Gittens et al. | | |
| D420,707 | S | | 2/2000 | Seymour | | |
| 6,062,997 | A | | 5/2000 | Seymour | | |
| 6,517,075 | B1 | | 2/2003 | Yoon | | 273/348.3 |
| 6,860,482 | B1 | | 3/2005 | Kim | | |

* cited by examiner

Primary Examiner—Sandra L. Morris

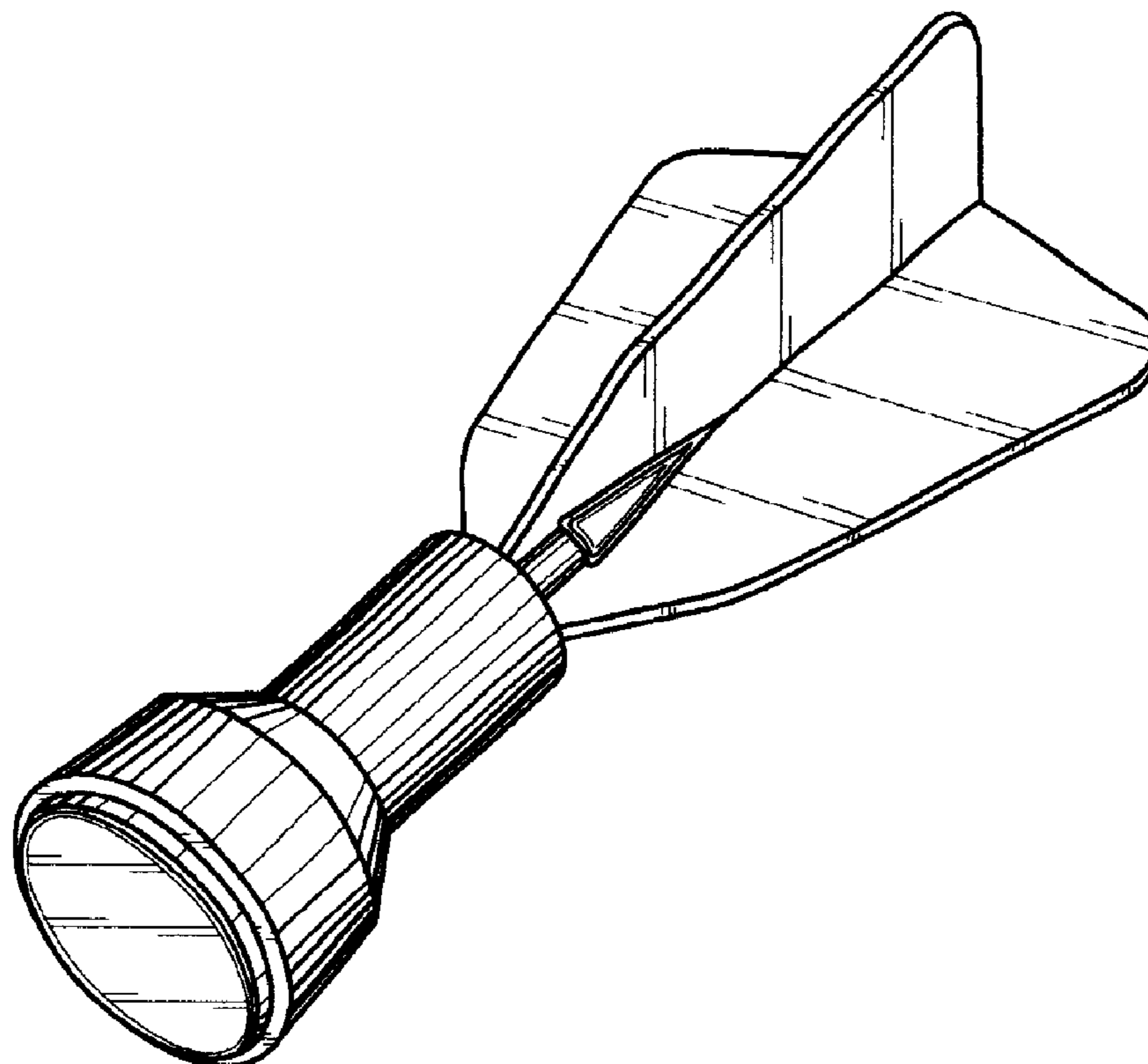
(57) **CLAIM**

I claim the ornamental design of a magnet dart, as shown and described.

DESCRIPTION

FIG. 1 is a perspective view of the magnet dart of my new design;
FIG. 2 is a side elevational view of the right side thereof;
FIG. 3 is a side elevational view of the left side thereof;
FIG. 4 is a top plan view thereof;
FIG. 5 is a bottom plan view thereof;
FIG. 6 is a front elevational view thereof; and,
FIG. 7 is a rear elevational view thereof.

1 Claim, 3 Drawing Sheets



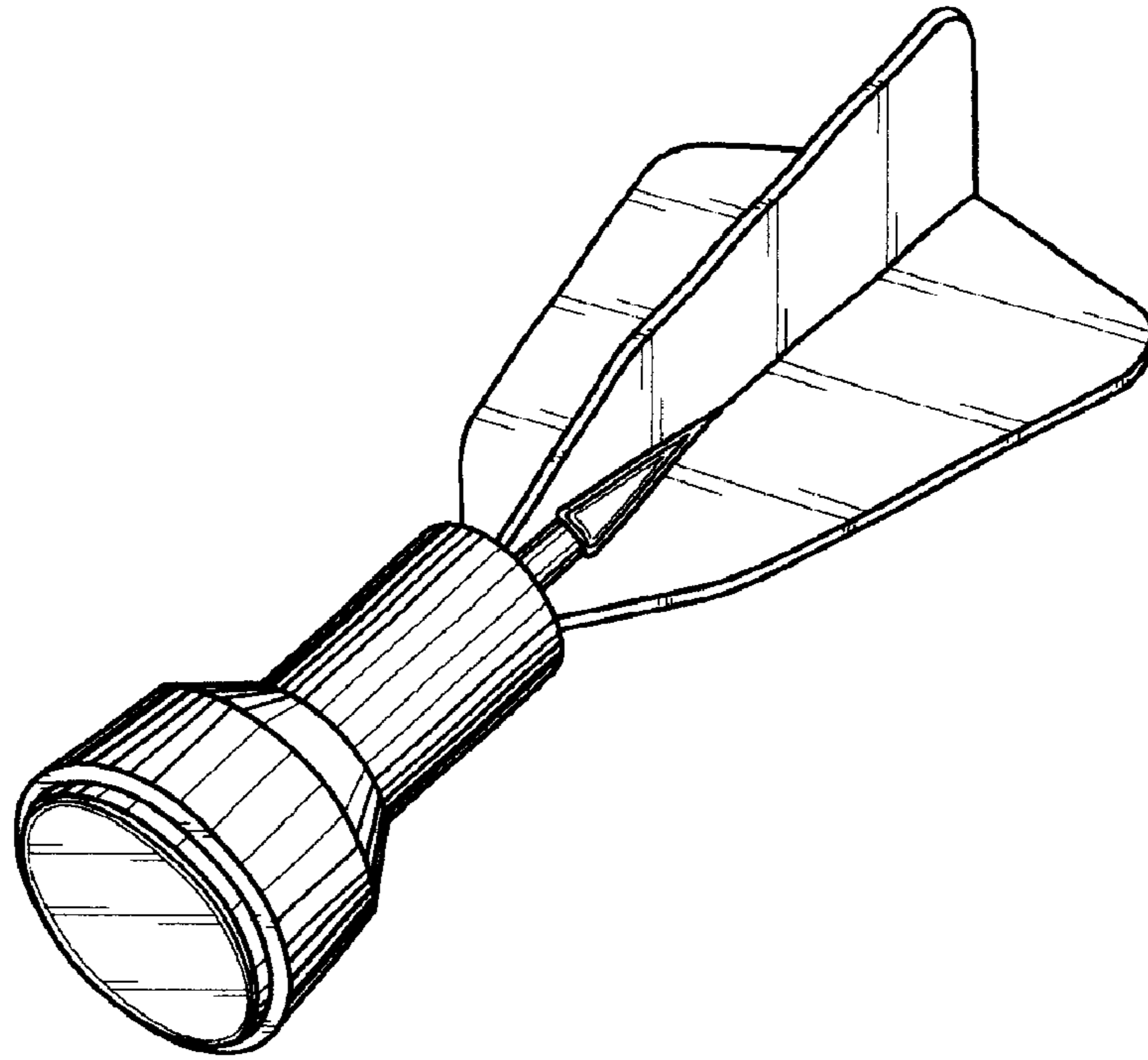


FIG. 1

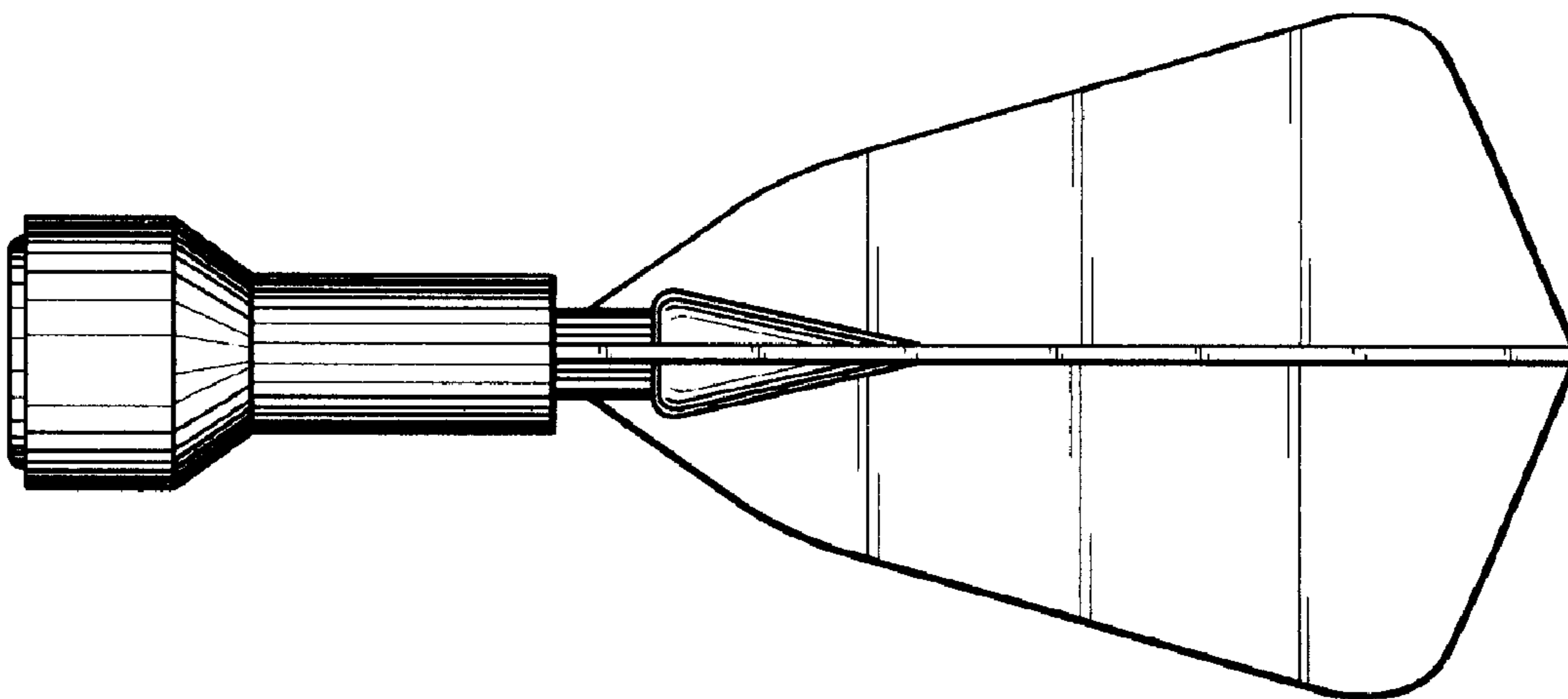


FIG. 2

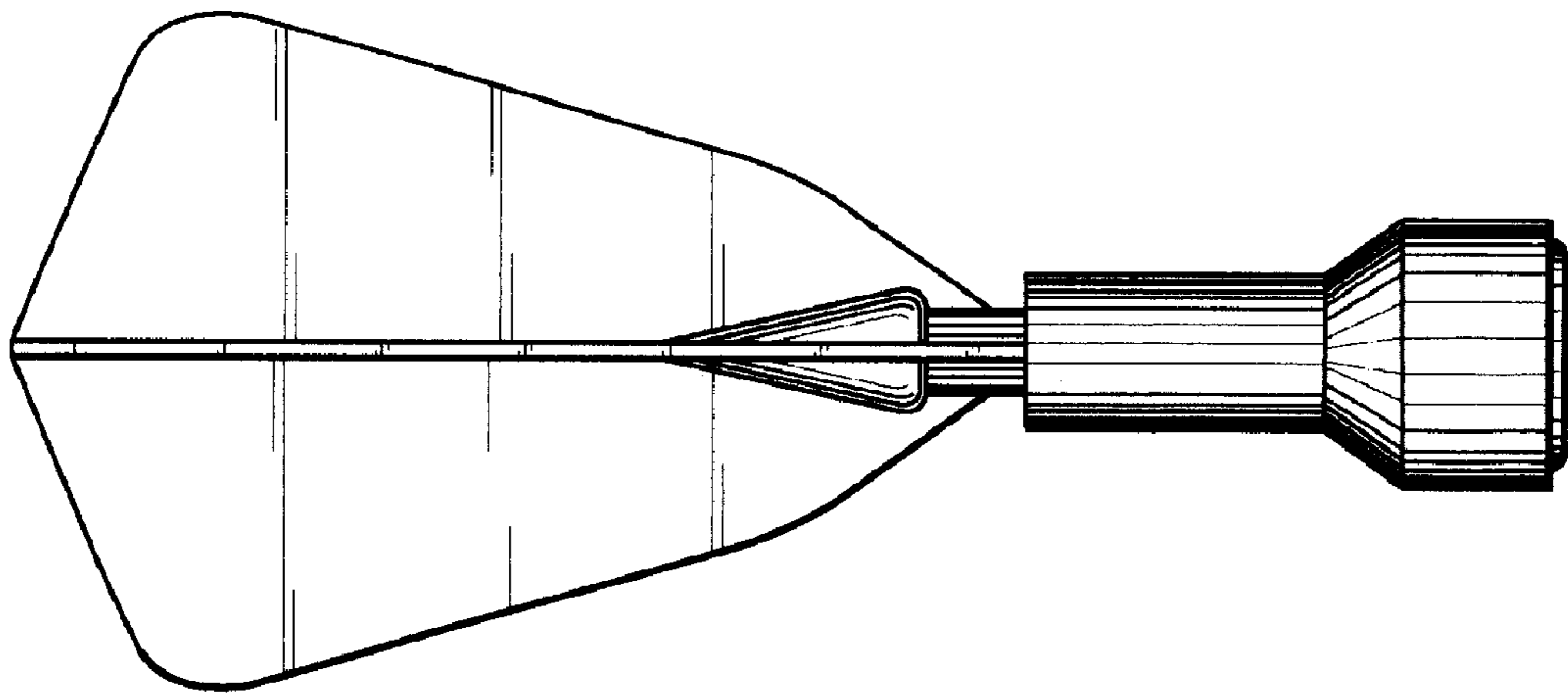


FIG. 3

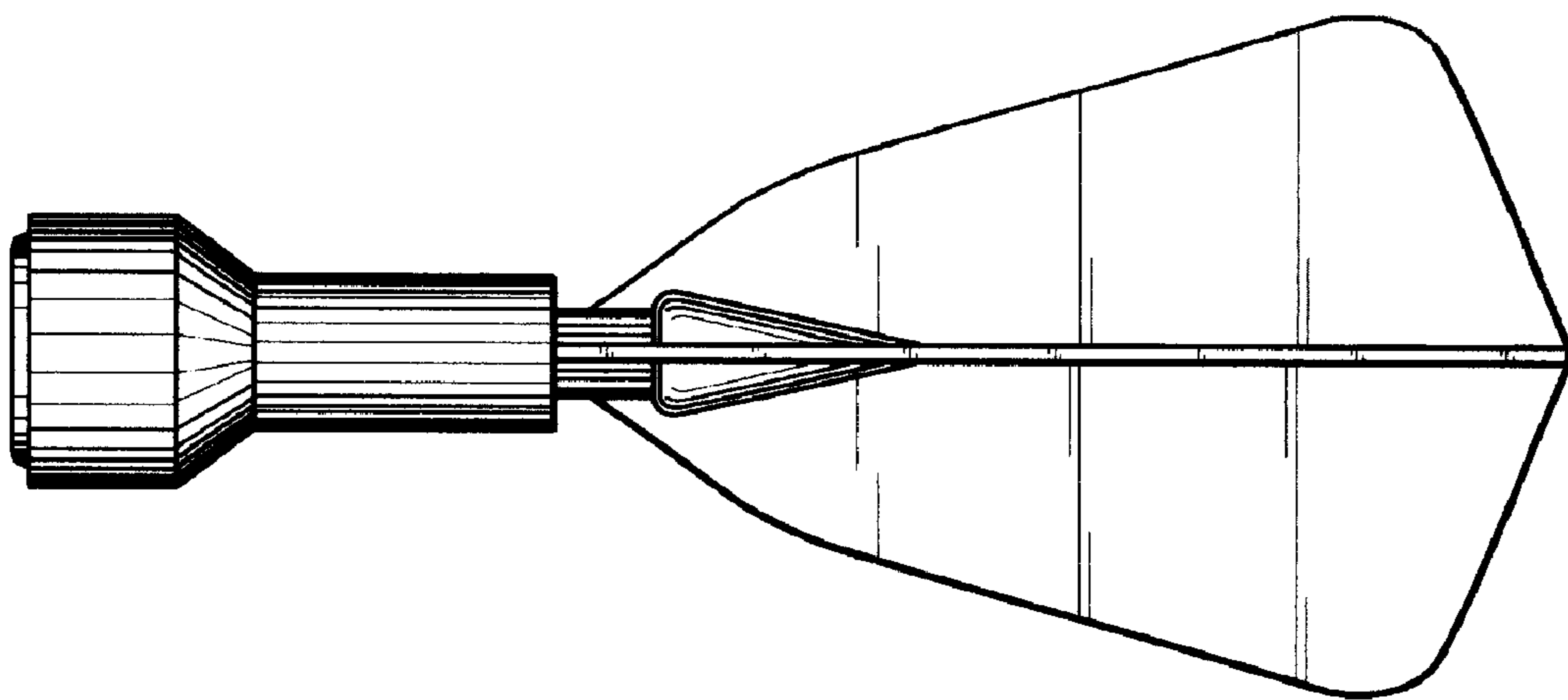


FIG. 4

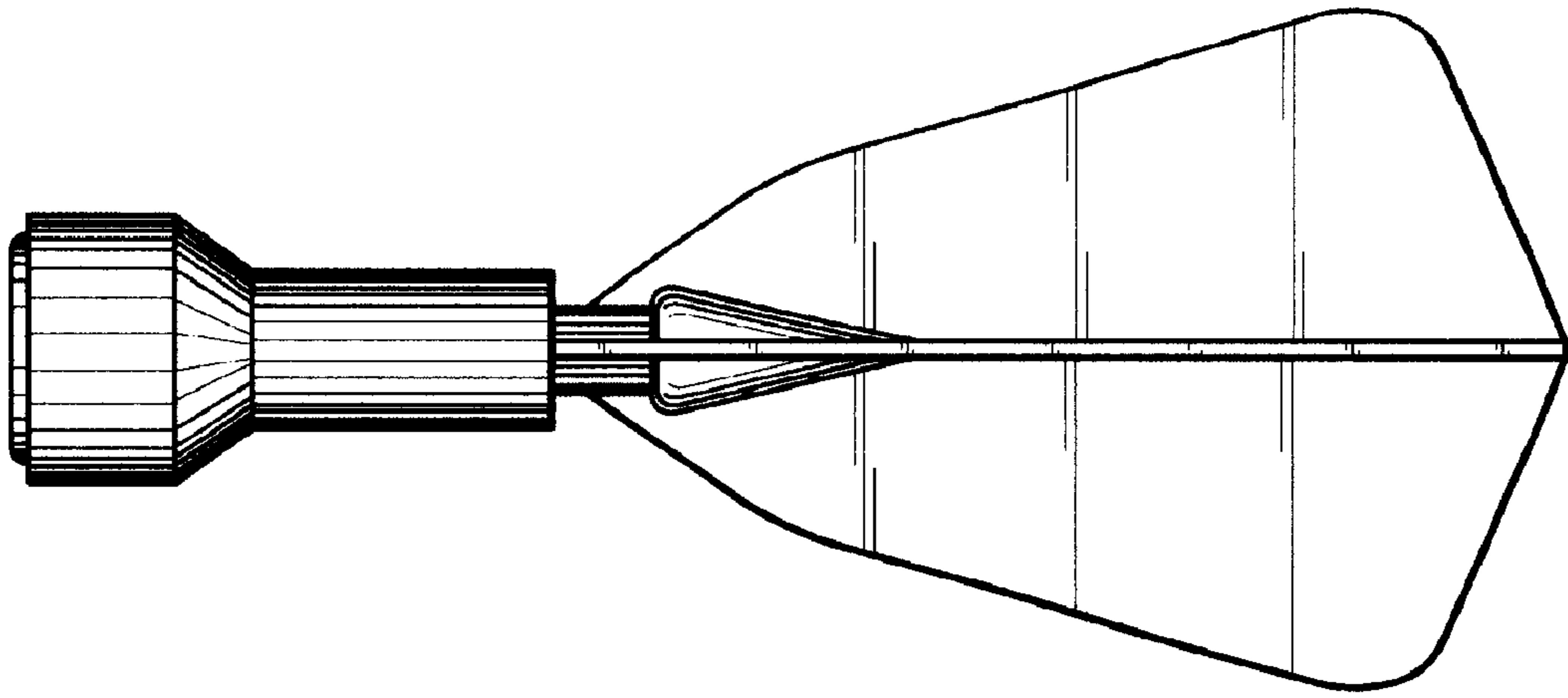


FIG. 5

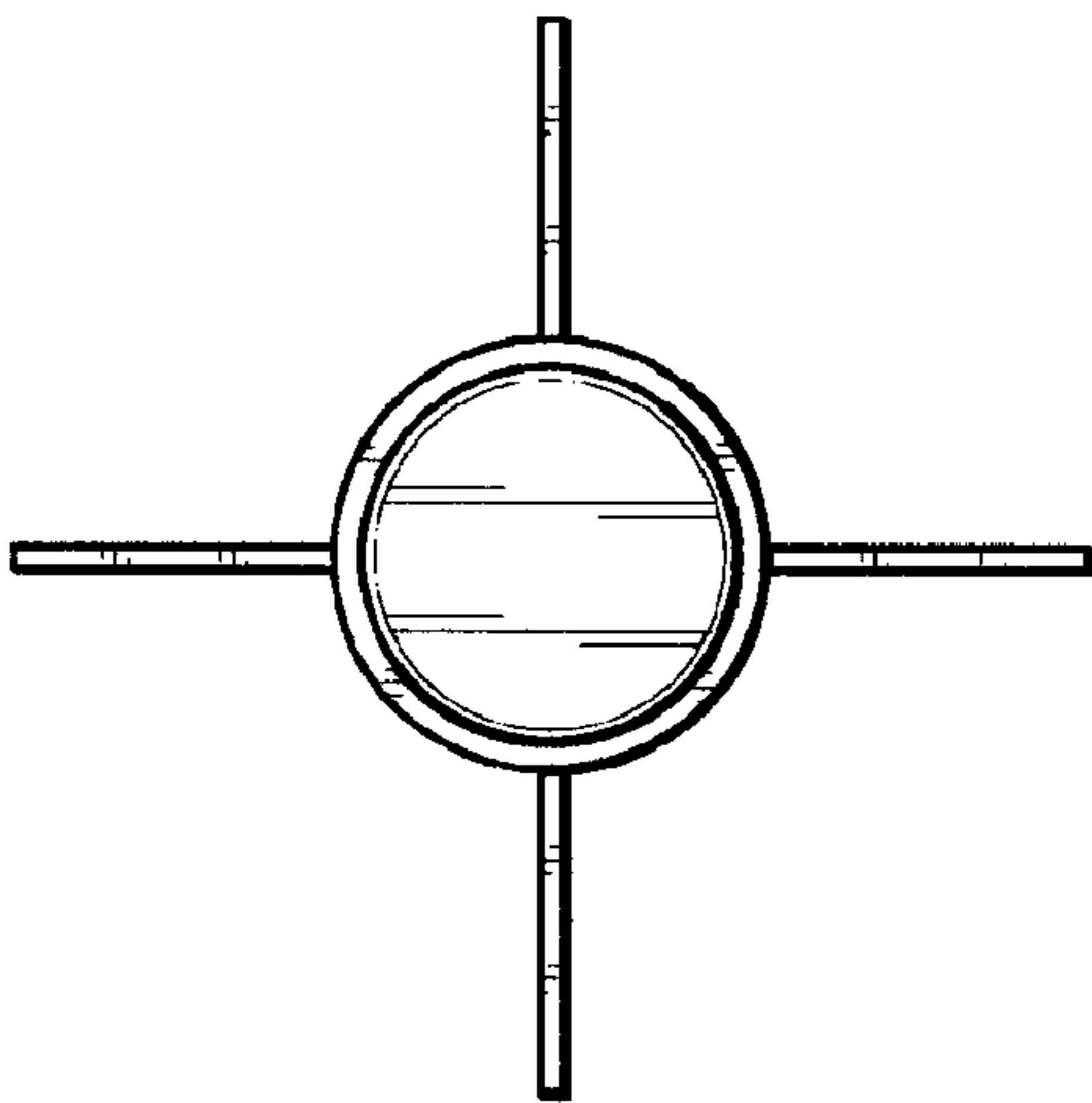


FIG. 6

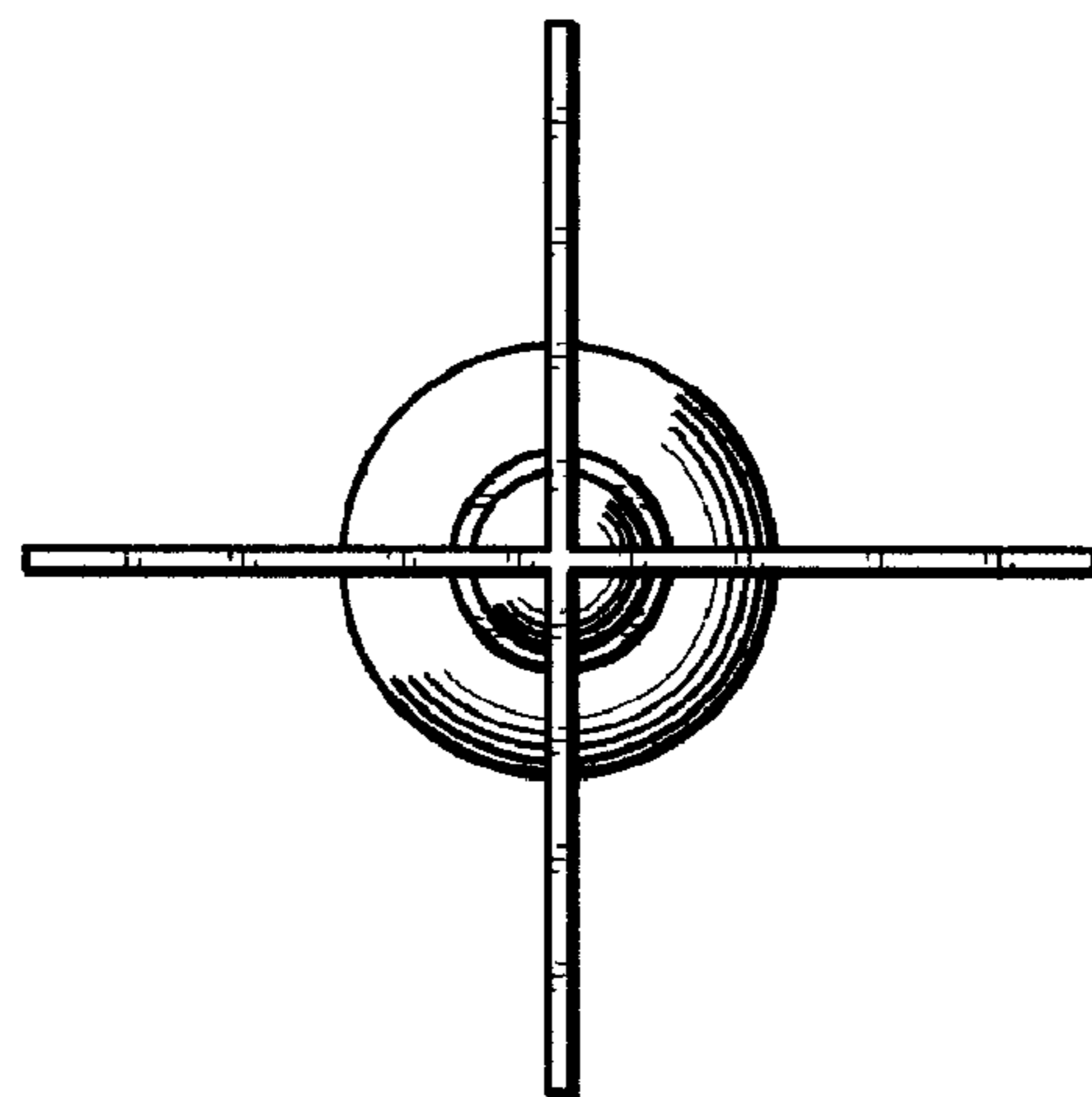


FIG. 7