

US00D522589S

(12) **United States Design Patent**
Myers

(10) **Patent No.:** **US D522,589 S**
(45) **Date of Patent:** **** Jun. 6, 2006**

(54) **SHAPED TOP BOX FOR GAMING MACHINES**

(75) Inventor: **Gordon H. Myers**, Reno, NV (US)

(73) Assignee: **Bally Gaming International, Inc.**, Las Vegas, NV (US)

(**) Term: **14 Years**

(21) Appl. No.: **29/214,363**

(22) Filed: **Sep. 30, 2004**

(51) **LOC (8) Cl.** **21-01**

(52) **U.S. Cl.** **D21/385; D21/369**

(58) **Field of Classification Search** D21/325,
D21/329, 369-371, 374, 385; 273/138.1;
463/16-17, 20, 25, 42, 46-47

See application file for complete search history.

(56) **References Cited**

U.S. PATENT DOCUMENTS

| | | | | | | |
|-----------|---|---|---------|-----------------|-------|---------|
| 5,813,914 | A | * | 9/1998 | McKay et al. | | 463/46 |
| D404,436 | S | * | 1/1999 | McGahn et al. | | D21/370 |
| D412,347 | S | * | 7/1999 | DeSimone et al. | | D21/370 |
| D450,096 | S | * | 11/2001 | Legras et al. | | D21/385 |

| | | | | | | |
|--------------|----|---|---------|-----------------|-------|--------|
| 6,923,718 | B1 | * | 8/2005 | Brossard | | 463/16 |
| 2004/0137979 | A1 | * | 7/2004 | Rose | | 463/16 |
| 2004/0192433 | A1 | * | 9/2004 | Johnson | | 463/20 |
| 2004/0192436 | A1 | * | 9/2004 | Seelig et al. | | 463/25 |
| 2004/0229674 | A1 | * | 11/2004 | Thomas | | 463/16 |
| 2004/0235556 | A1 | * | 11/2004 | Flemming et al. | | 463/20 |
| 2005/0009595 | A1 | * | 1/2005 | Boyd et al. | | 463/16 |
| 2005/0014547 | A1 | * | 1/2005 | Gomez et al. | | 463/16 |

* cited by examiner

Primary Examiner—Sandra L. Morris

(74) *Attorney, Agent, or Firm*—Russ F. Marsden

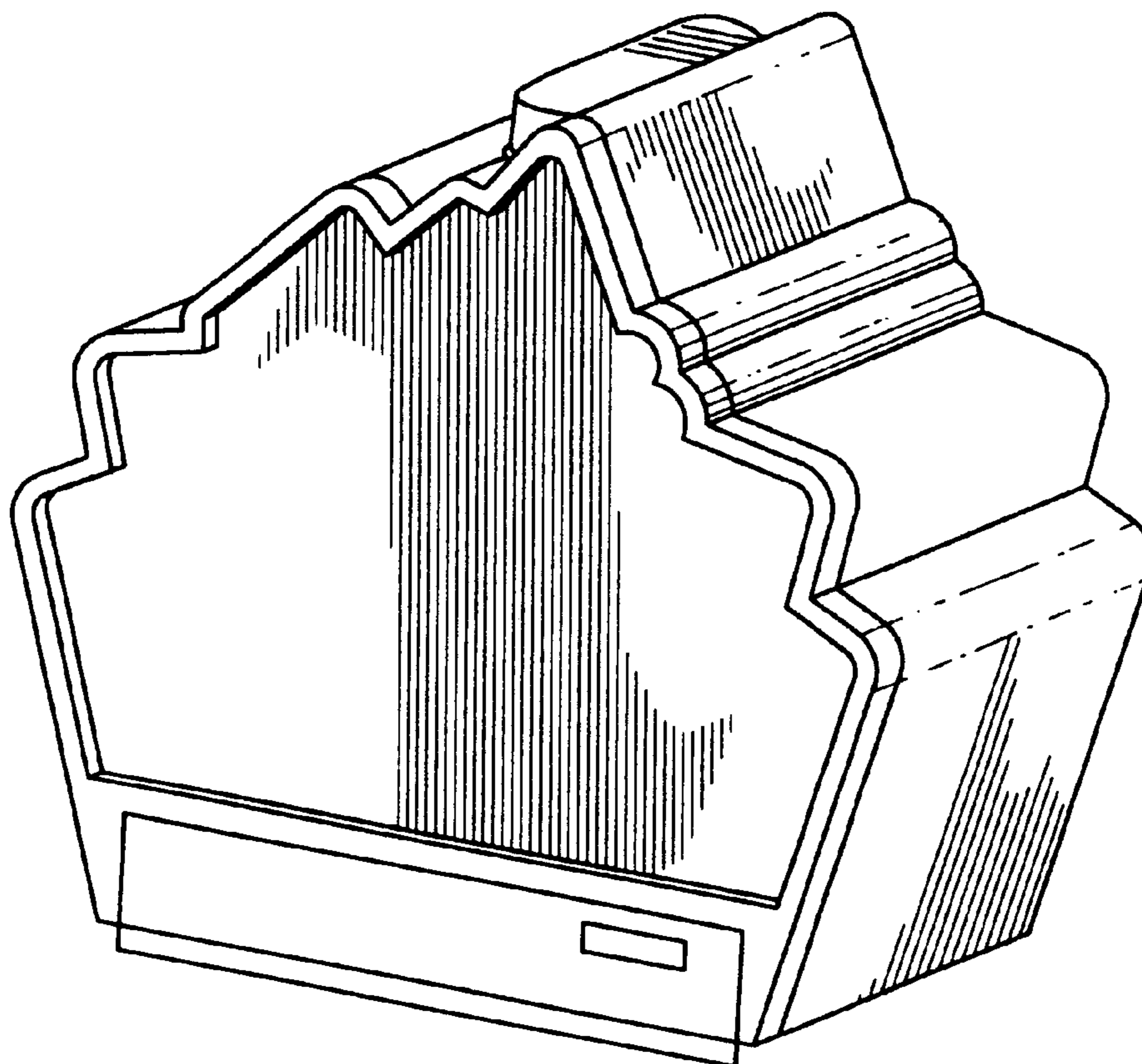
(57) **CLAIM**

The ornamental design for a shaped top box for gaming machines, as shown and described.

DESCRIPTION

FIG. 1 is a front elevational view of a shaped top box for gaming machines, showing my new design;
FIG. 2 is a top plan view thereof;
FIG. 3 is a left side elevational view thereof;
FIG. 4 is a right side elevational view thereof; and,
FIG. 5 is a perspective view thereof.

1 Claim, 2 Drawing Sheets



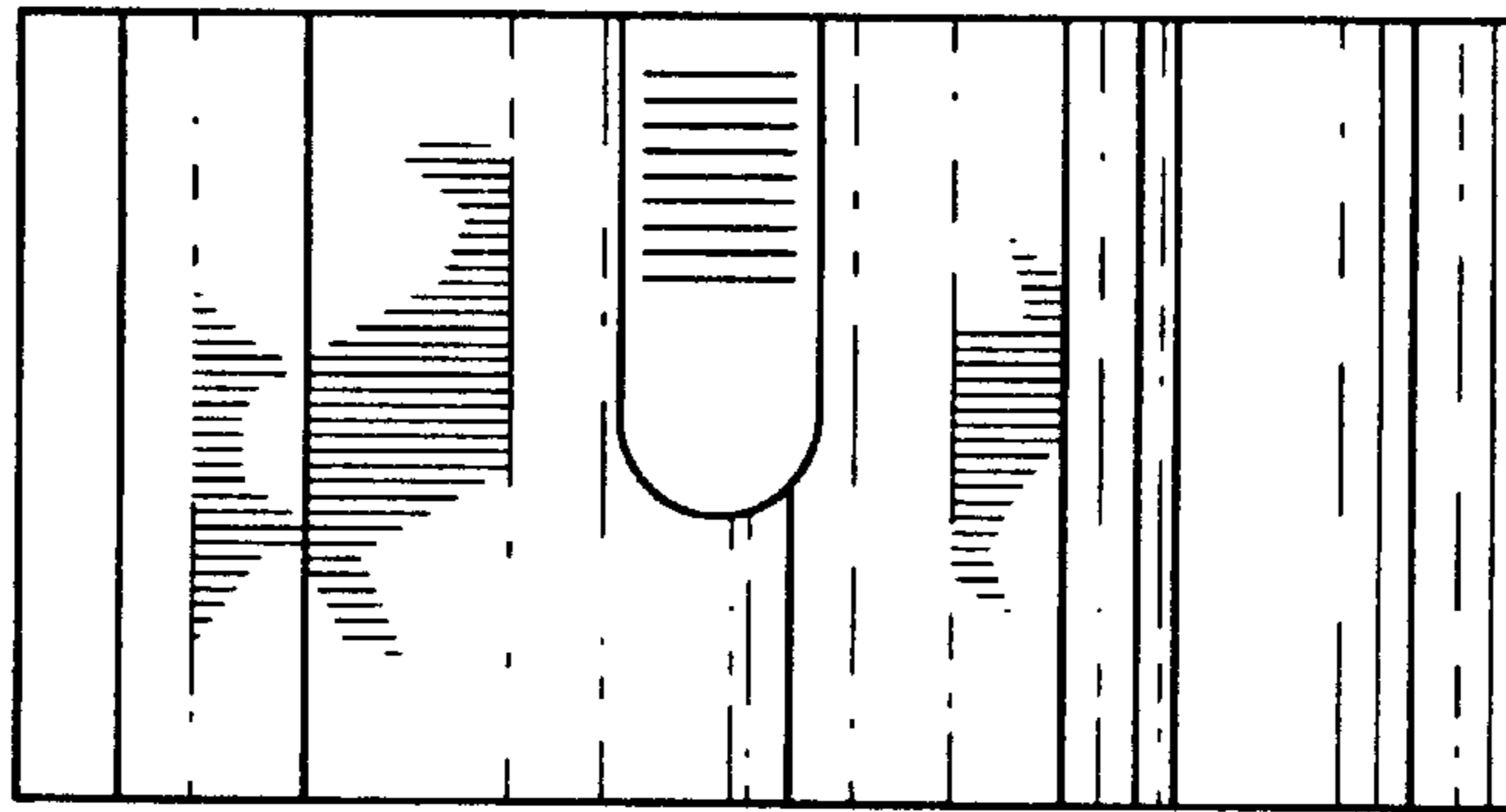


FIG. 2

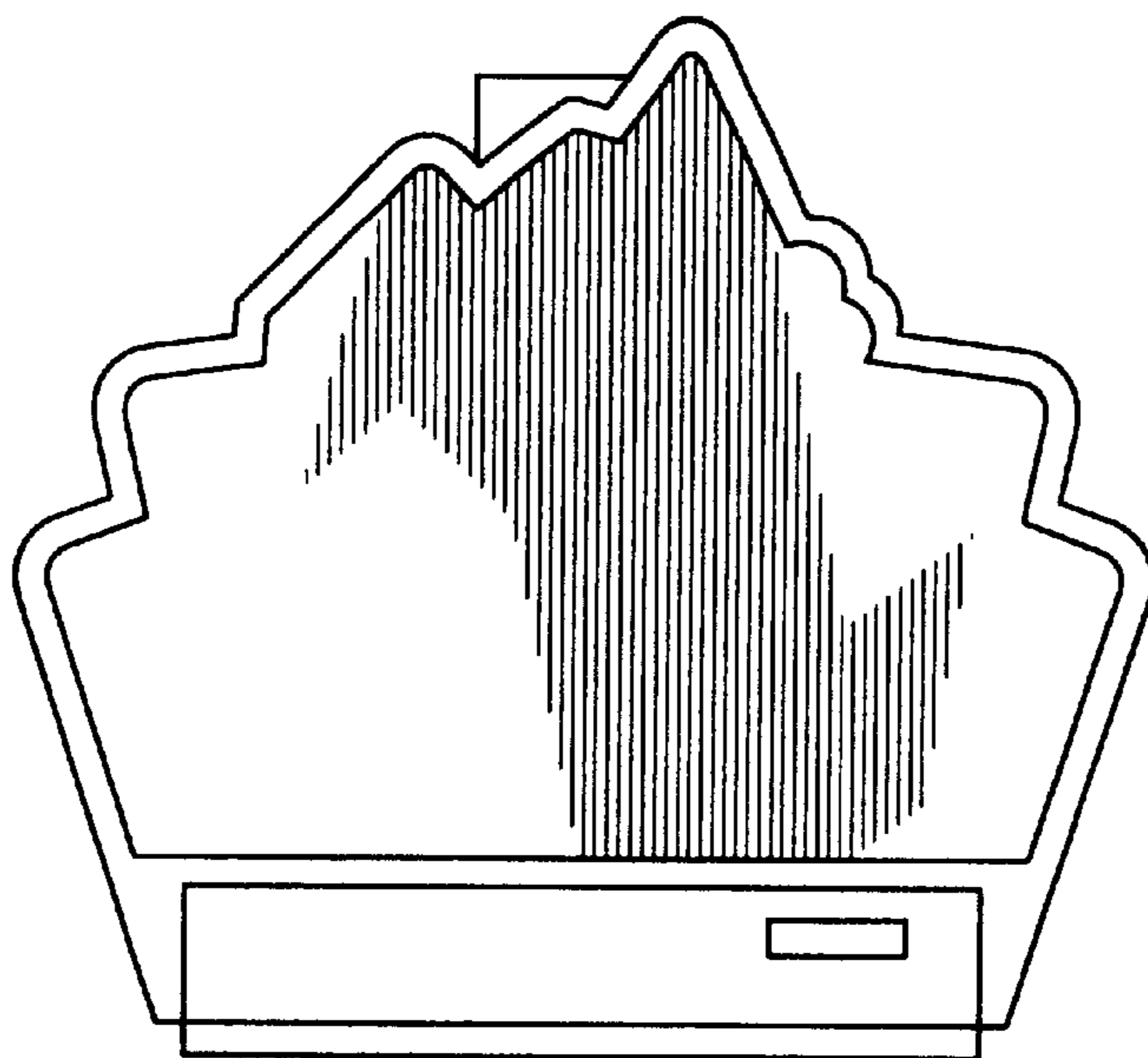


FIG. 1

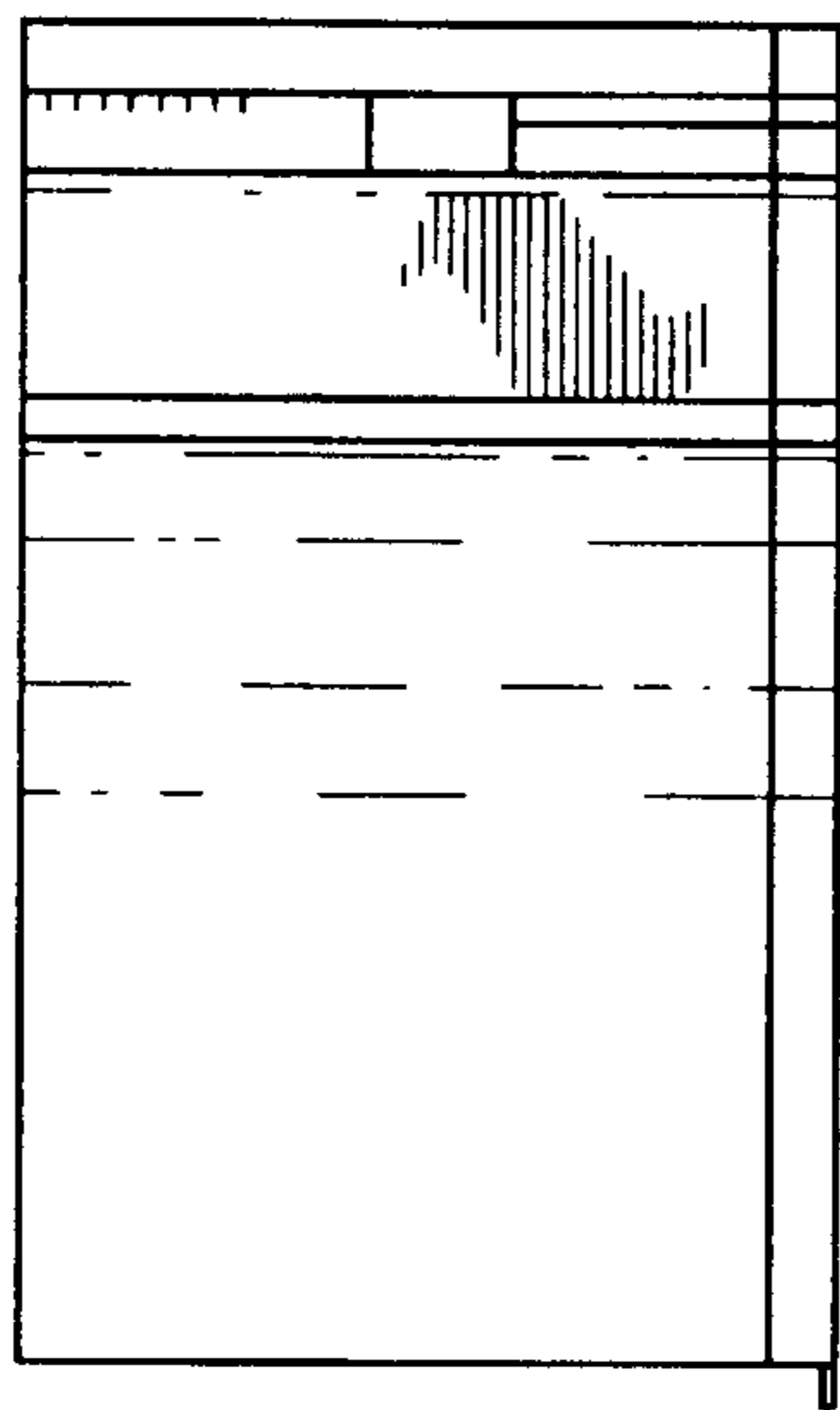


FIG. 3

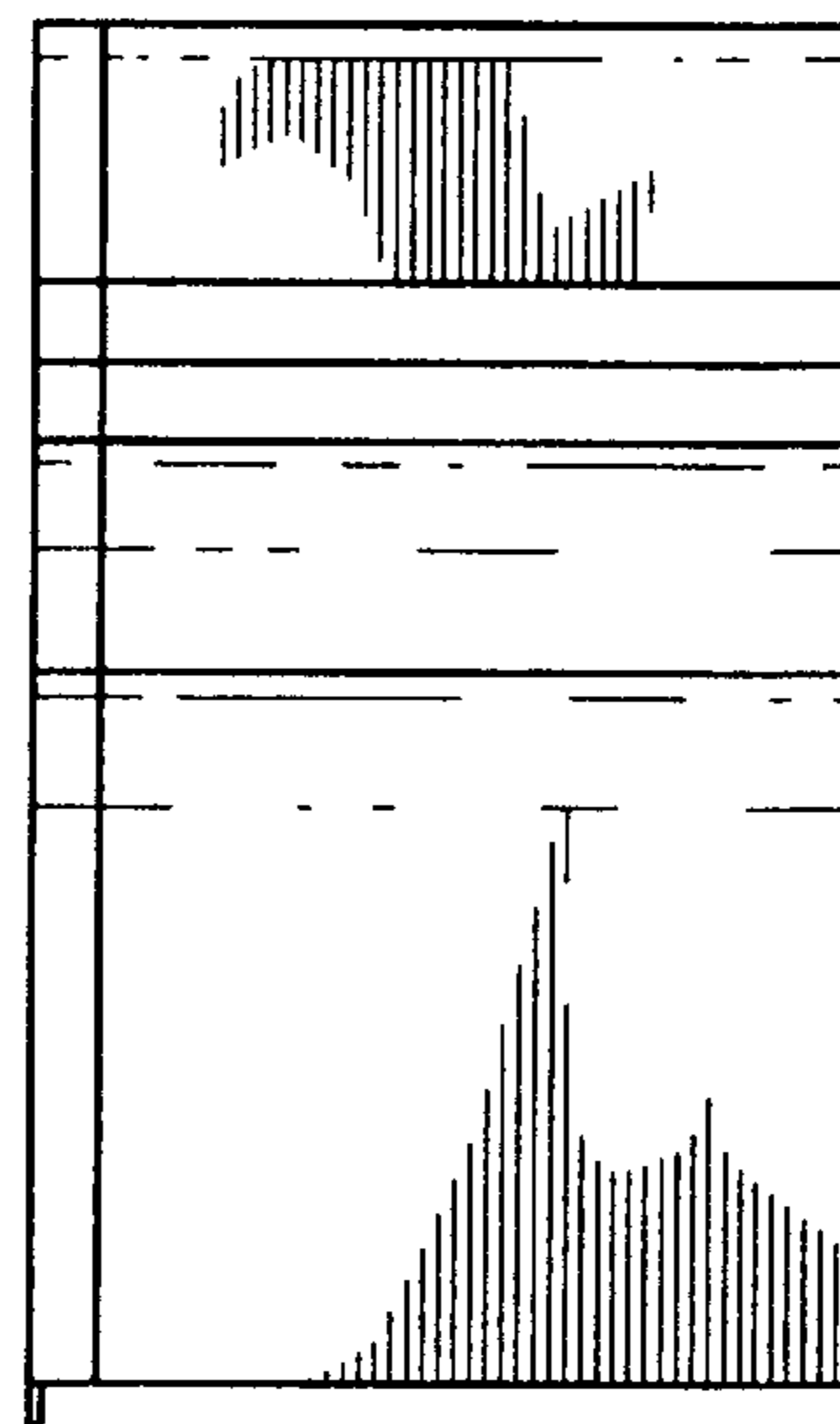


FIG. 4

FIG. 5

