

US00D522582S

(12) **United States Design Patent**
Shimizu et al.

(10) **Patent No.:** **US D522,582 S**
(45) **Date of Patent:** **** Jun. 6, 2006**

(54) **MARKING TAPE HOLDER**

(75) Inventors: **Kazuhisa Shimizu**, Tokyo (JP);
Kazuyuki Imaizumi, Hirakata (JP)

(73) Assignee: **Pentel Kabushiki Kaisha**, Tokyo (JP)

(**) Term: **14 Years**

(21) Appl. No.: **29/219,533**

(22) Filed: **Dec. 17, 2004**

(30) **Foreign Application Priority Data**

Jun. 18, 2004 (JP) 2004-018360

(51) **LOC (8) Cl.** **19-02**

(52) **U.S. Cl.** **D19/69**

(58) **Field of Classification Search** D19/66,
D19/67, 68, 69, 70; 156/523, 527, 540, 577;
206/411; 225/6, 25, 39, 77; 242/588, 588.1,
242/588.2, 588.3, 588.6, 598.5

See application file for complete search history.

(56) **References Cited**

U.S. PATENT DOCUMENTS

D279,992 S * 8/1985 Gribb D19/43
D309,755 S * 8/1990 Halm D19/66
D344,017 S * 2/1994 Lang et al. D9/727
5,346,580 A * 9/1994 Elges et al. 156/540

5,393,368 A * 2/1995 Stevens 156/577
5,655,554 A * 8/1997 Goldberg 132/314
D422,748 S * 4/2000 Lang D28/7
D456,953 S * 5/2002 Look D28/77
D475,747 S * 6/2003 Ono D19/69

* cited by examiner

Primary Examiner—Elizabeth A. Albert

(74) *Attorney, Agent, or Firm*—Adams & Wilks

(57) **CLAIM**

The ornamental design for a marking tape holder, as shown and described.

DESCRIPTION

FIG. 1 is a perspective view of a marking tape holder showing our new design;
FIG. 2 is a plan view thereof;
FIG. 3 is a front view thereof;
FIG. 4 is a bottom view thereof;
FIG. 5 is a rear view thereof;
FIG. 6 is a left side view thereof;
FIG. 7 is a right side view thereof;
FIG. 8 is a sectional view thereof taken along line 8—8 in FIG. 3; and,
FIG. 9 is a front view thereof with the cap removed for convenience of illustration.

1 Claim, 2 Drawing Sheets

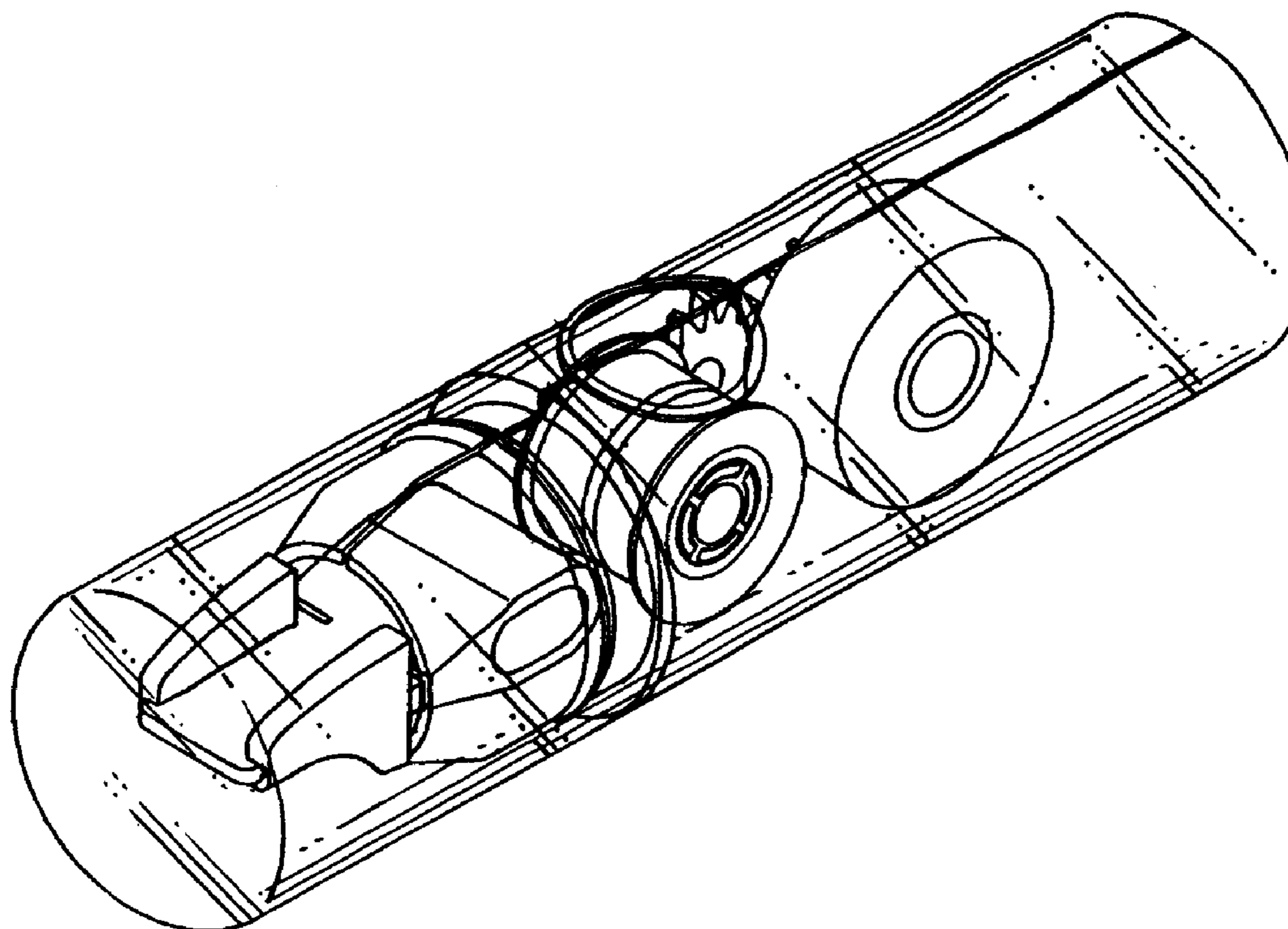


FIG. 1

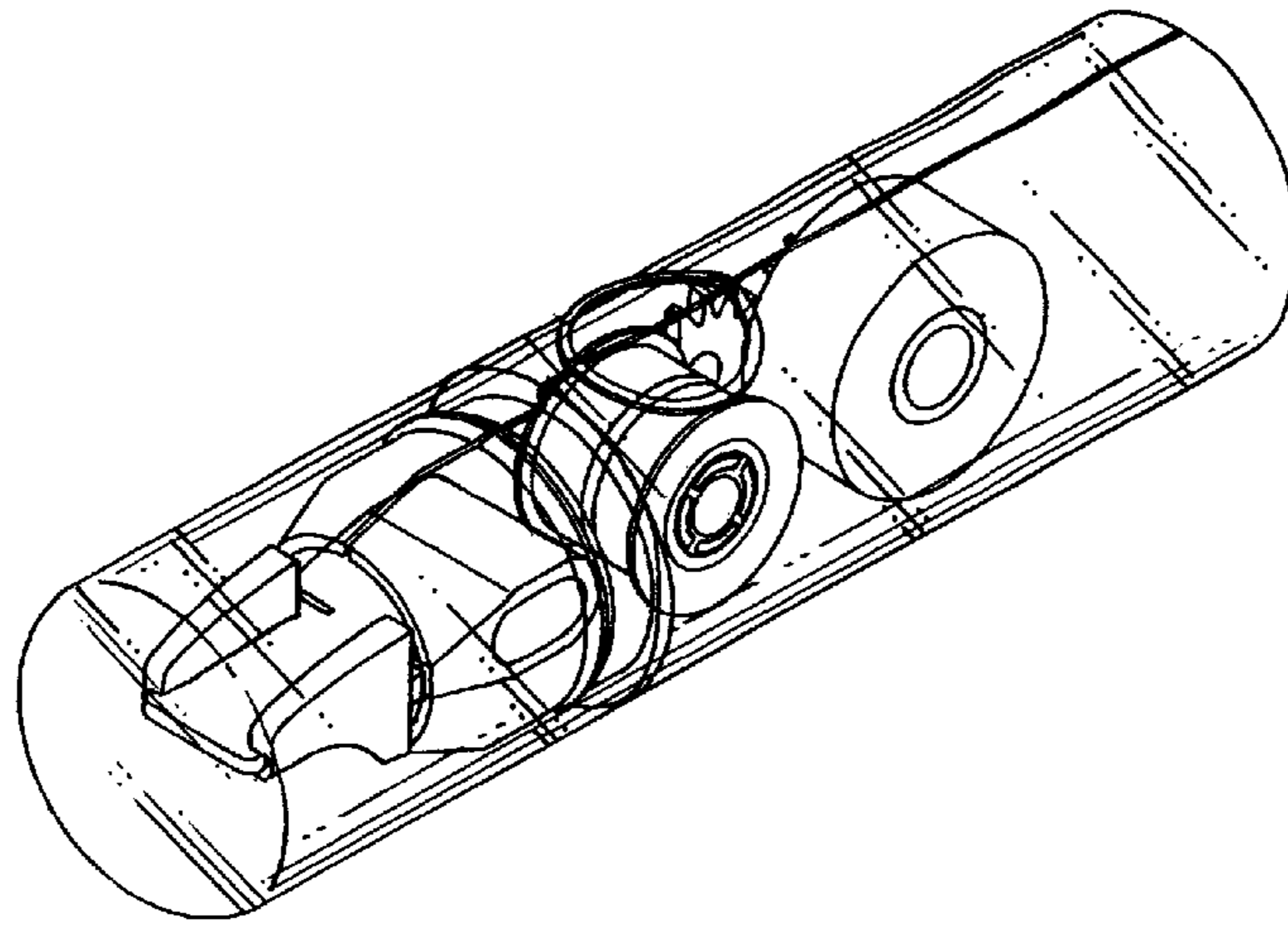


FIG. 2

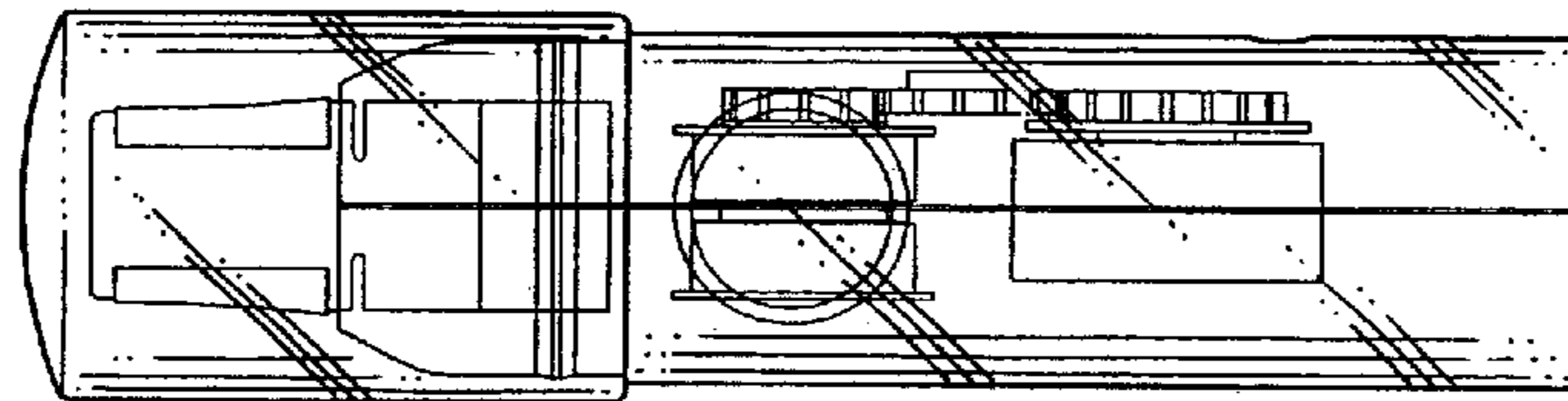


FIG. 3

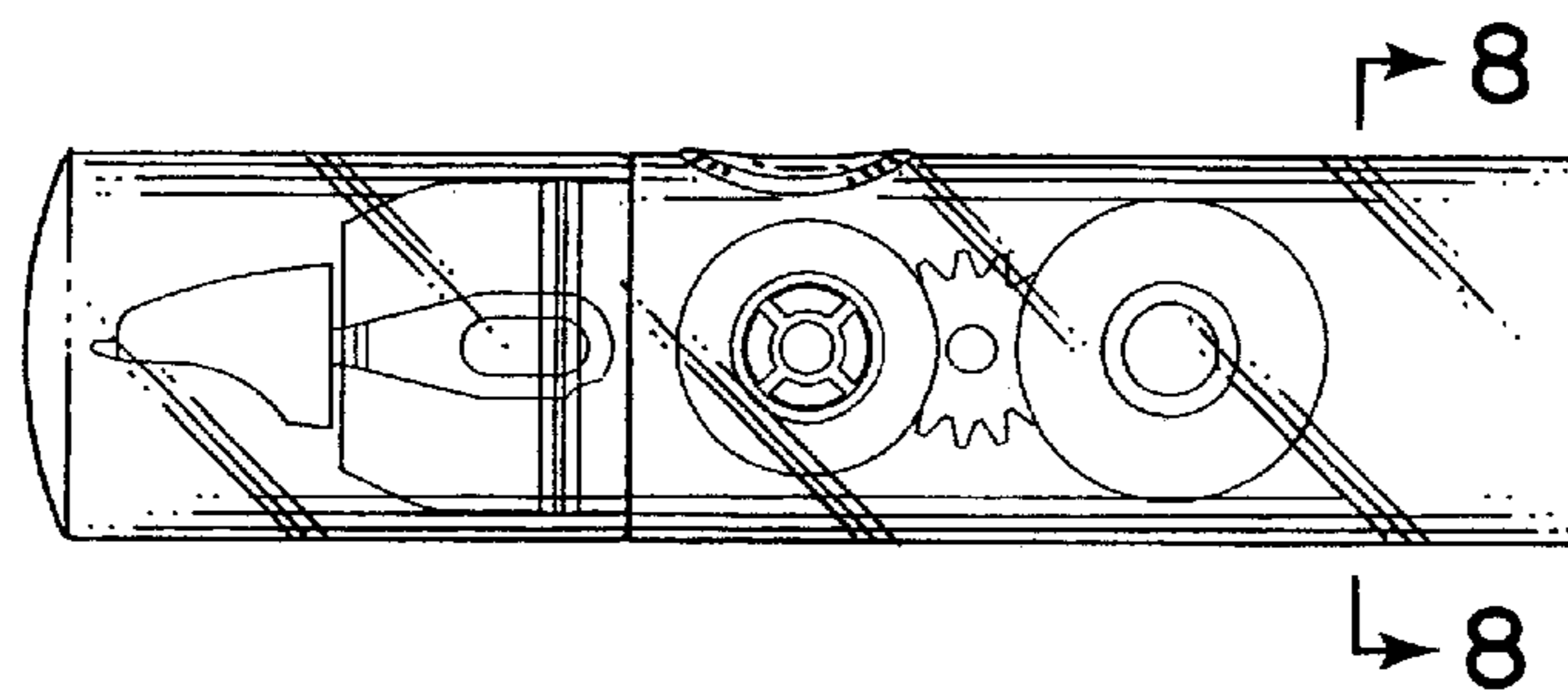


FIG. 4

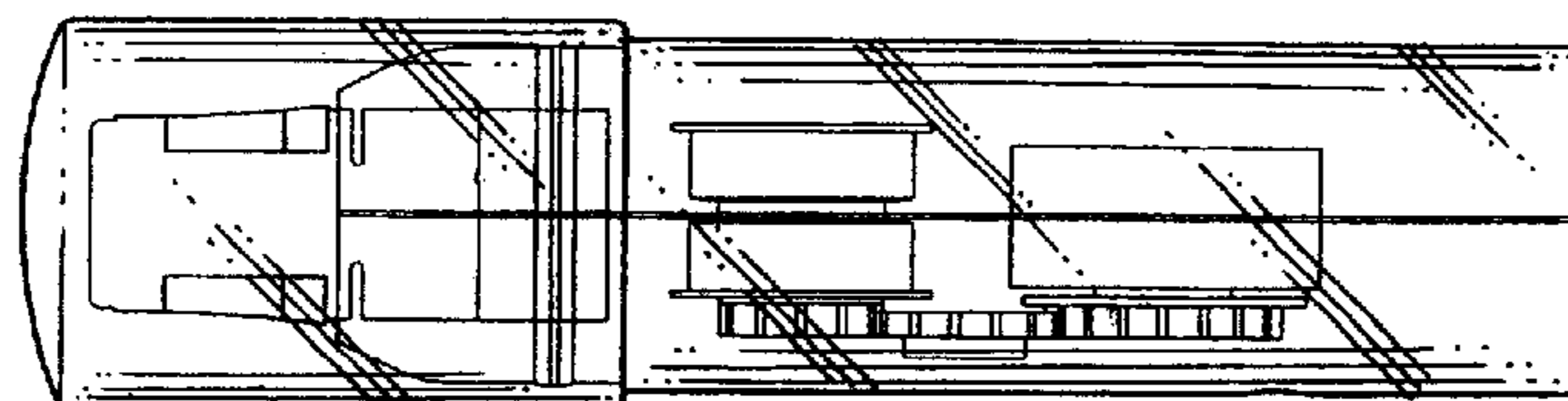


FIG. 5

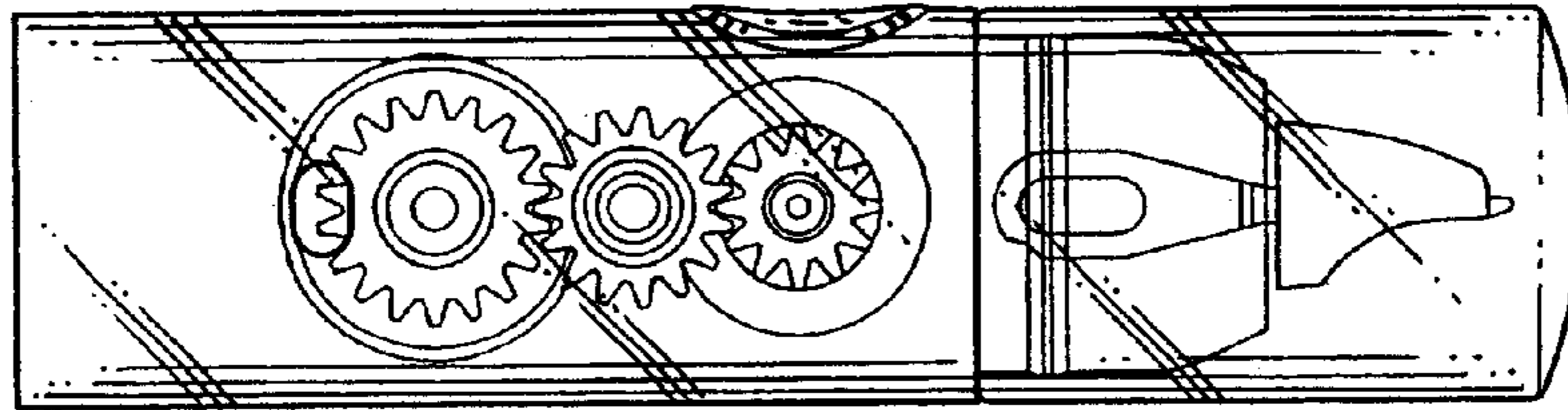


FIG. 6

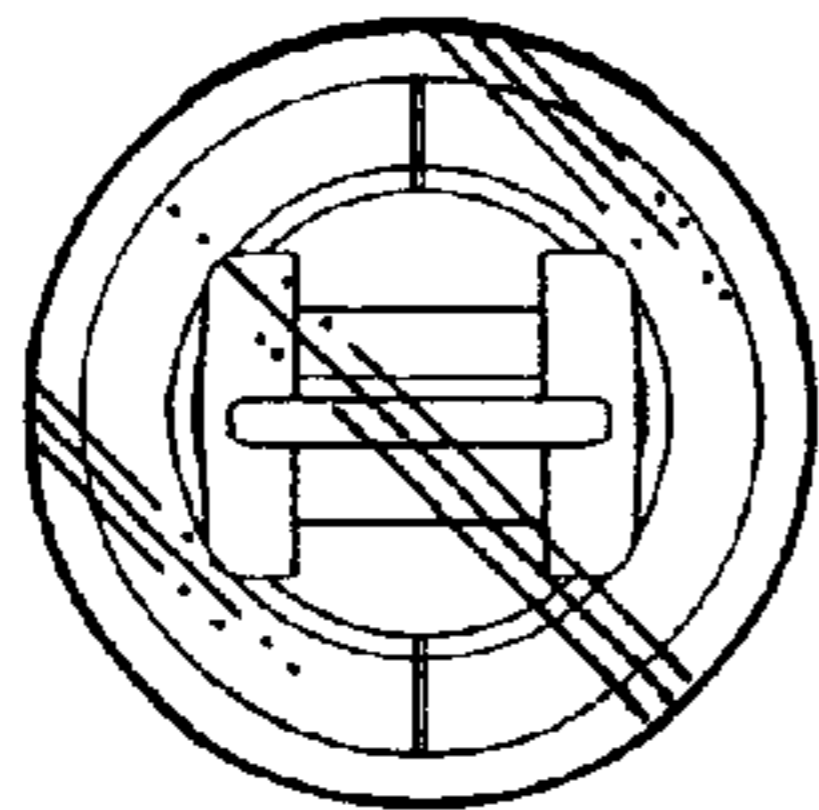


FIG. 7

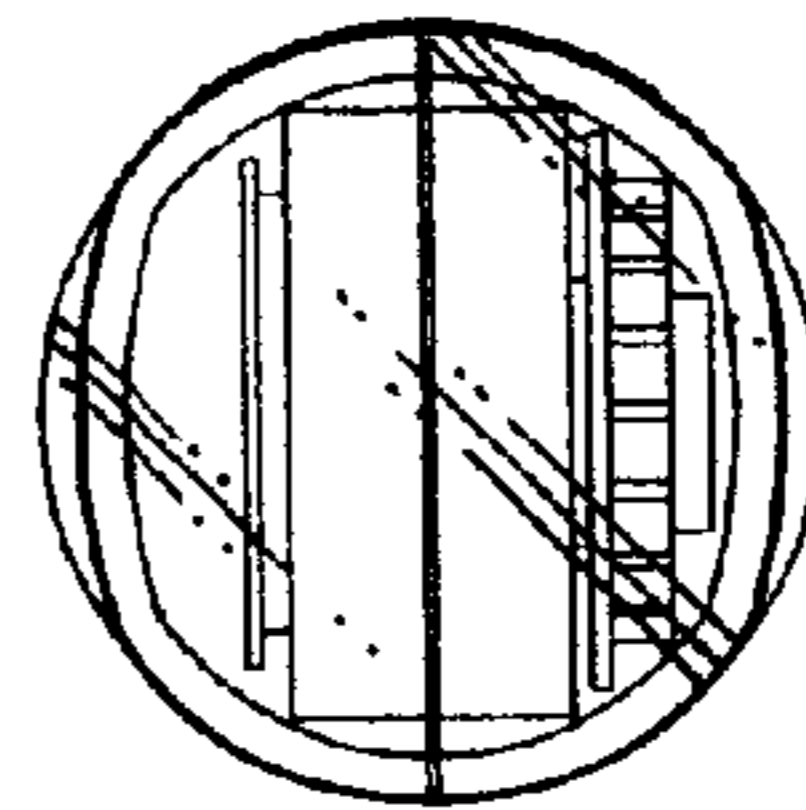


FIG. 8

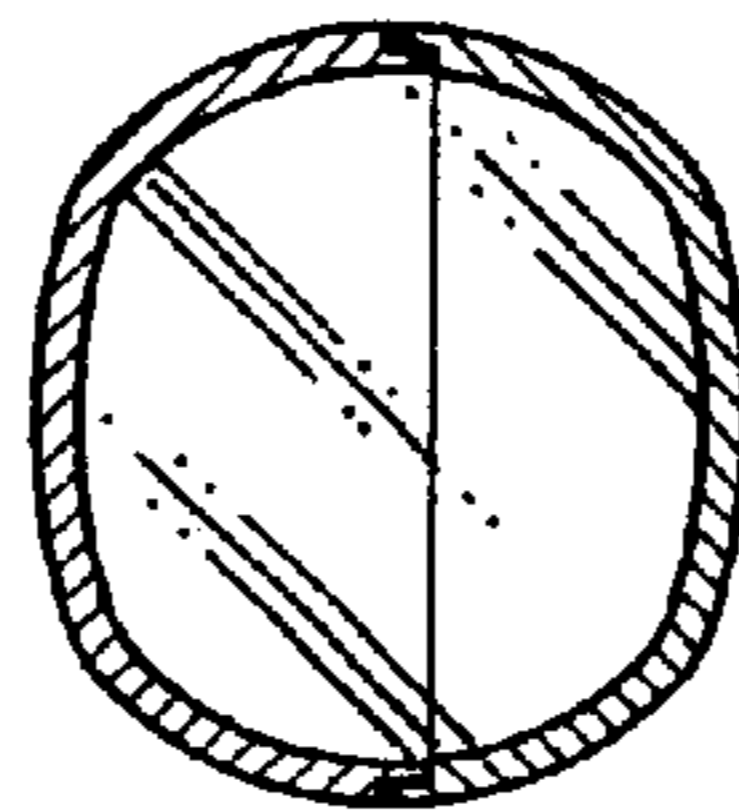


FIG. 9

