

US00D522580S

(12) **United States Design Patent**
Shibata

(10) **Patent No.:** **US D522,580 S**
(45) **Date of Patent:** **** Jun. 6, 2006**

(54) **MARKING PEN**

(75) Inventor: **Tomoaki Shibata**, Tokyo (JP)

(73) Assignee: **Pentel Kabushiki Kaisha**, Tokyo (JP)

(**) Term: **14 Years**

(21) Appl. No.: **29/214,734**

(22) Filed: **Oct. 7, 2004**

(30) **Foreign Application Priority Data**

Apr. 20, 2004 (JP) 2004-011911

(51) **LOC (8) Cl.** **19-06**

(52) **U.S. Cl.** **D19/51; D19/49; D19/56**

(58) **Field of Classification Search** D19/35,
D19/36, 41-51, 53-58, 81-85; 401/99-102,
401/103-106, 107-117, 82, 196, 93, 198,
401/261; 24/10 R, 11 R, 11 P, 11 PP, 11 F,
24/11 M

See application file for complete search history.

(56) **References Cited**

U.S. PATENT DOCUMENTS

317,838 A * 5/1885 Mussinan, Jr. 401/93
1,063,134 A * 5/1913 Norris 401/107

1,983,728 A * 12/1934 Bafetti 401/93
6,481,908 B1 * 11/2002 Lychwick 401/117
D492,722 S * 7/2004 Oka D19/49
6,793,429 B1 * 9/2004 Arrison 401/117

* cited by examiner

Primary Examiner—Martie K. Holtje

(74) *Attorney, Agent, or Firm*—Adams & Wilks

(57) **CLAIM**

The ornamental design for a marking pen, as shown and described.

DESCRIPTION

FIG. 1 is a perspective view of a marking pen showing my new design;

FIG. 2 is a front view thereof;

FIG. 3 is a side elevational thereof, the opposite side being a mirror image thereof;

FIG. 4 is a rear elevational view thereof;

FIG. 5 is a bottom plan view thereof;

FIG. 6 is a top plan view thereof;

FIG. 7 is a front elevational view thereof, with the writing tip extended; and

FIG. 8 is a side elevational view of FIG. 7, the opposite side being a mirror image thereof.

1 Claim, 2 Drawing Sheets

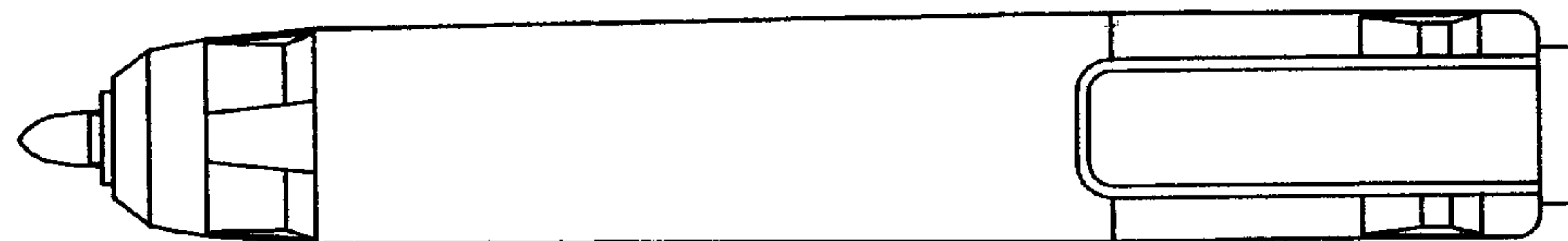
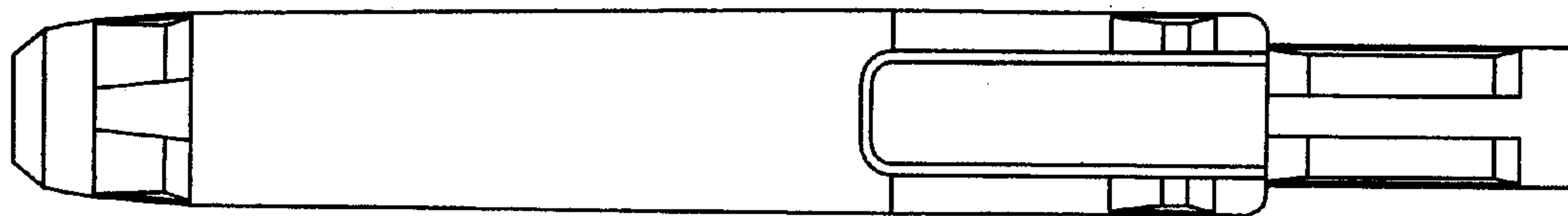


FIG. 1

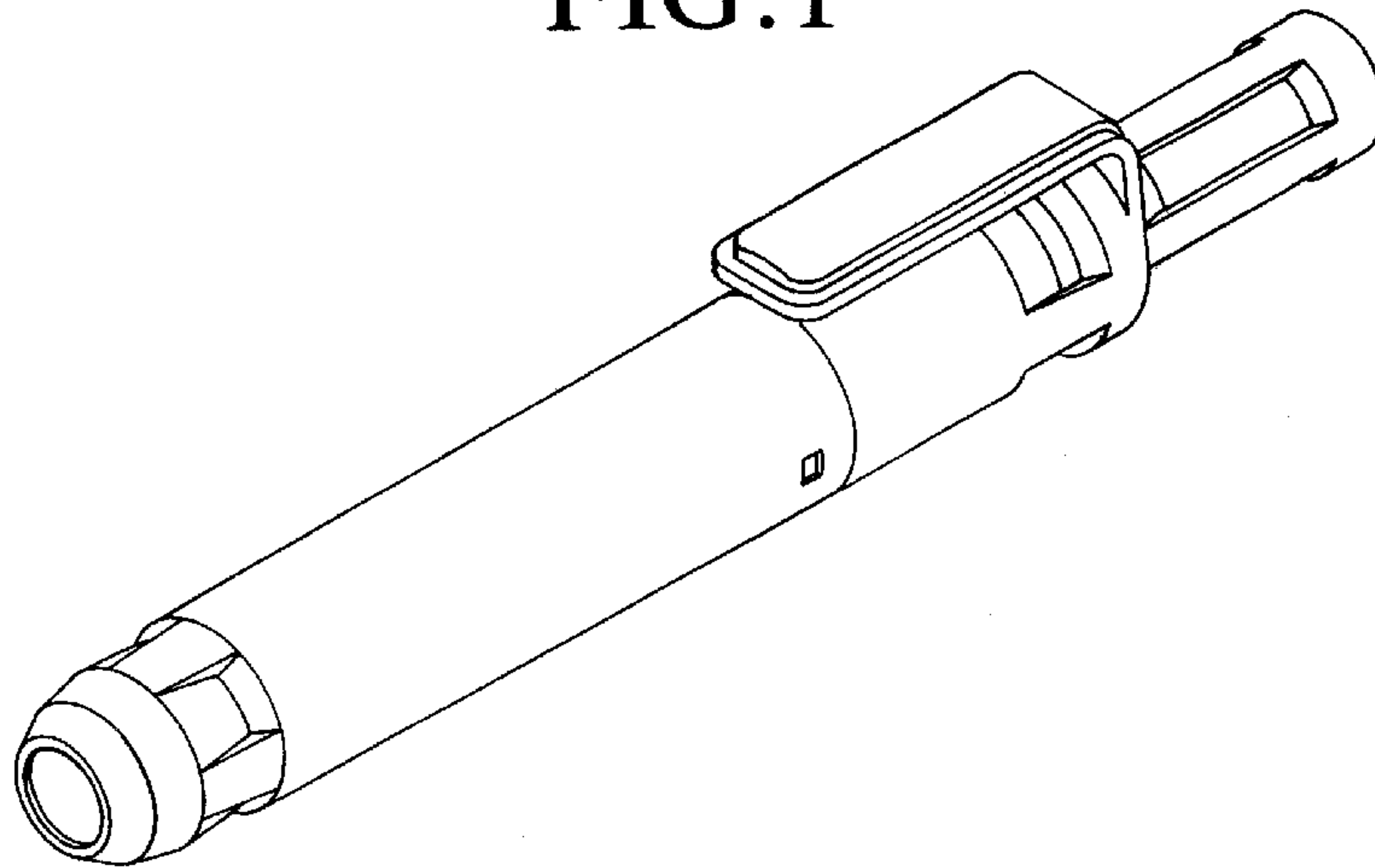


FIG. 2

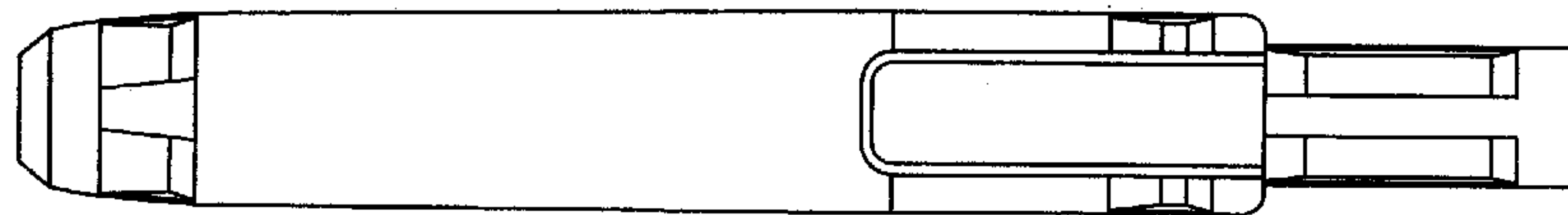


FIG. 3

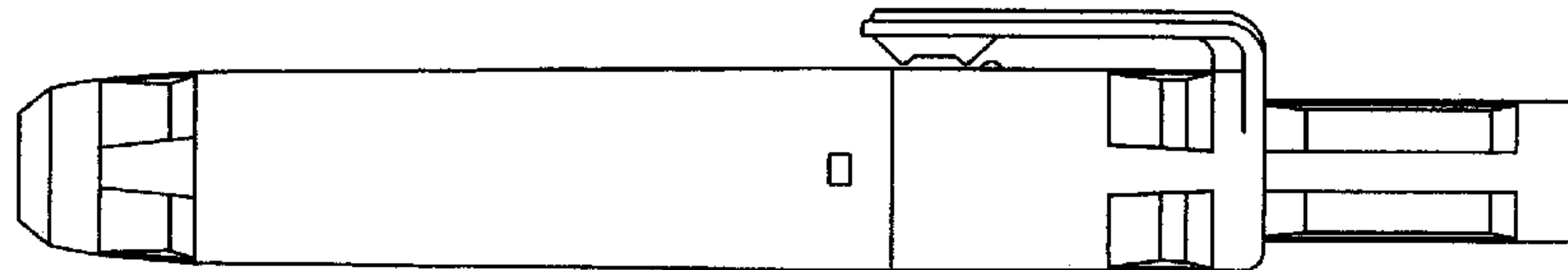


FIG. 4

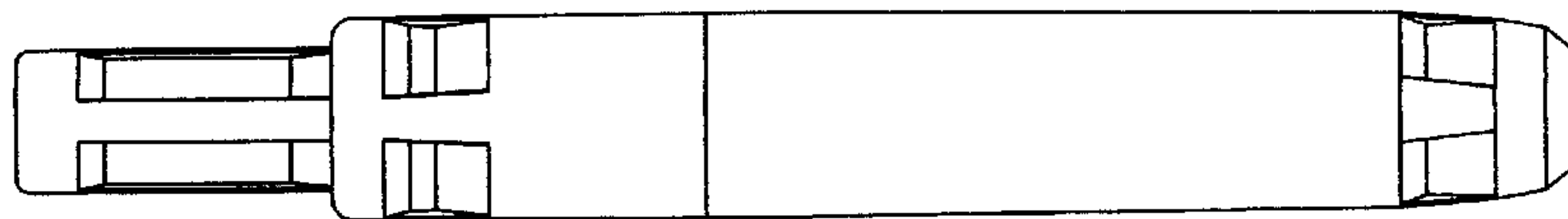


FIG. 5

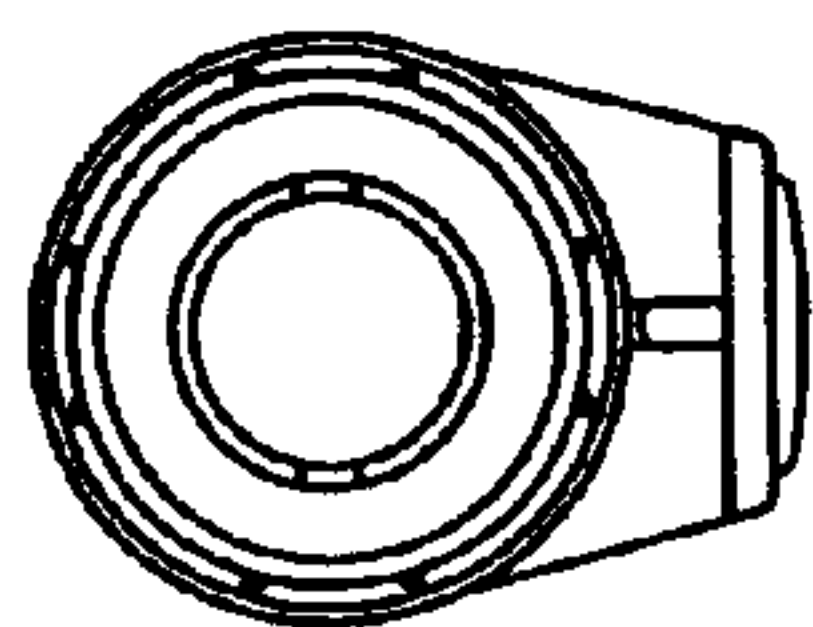


FIG. 6

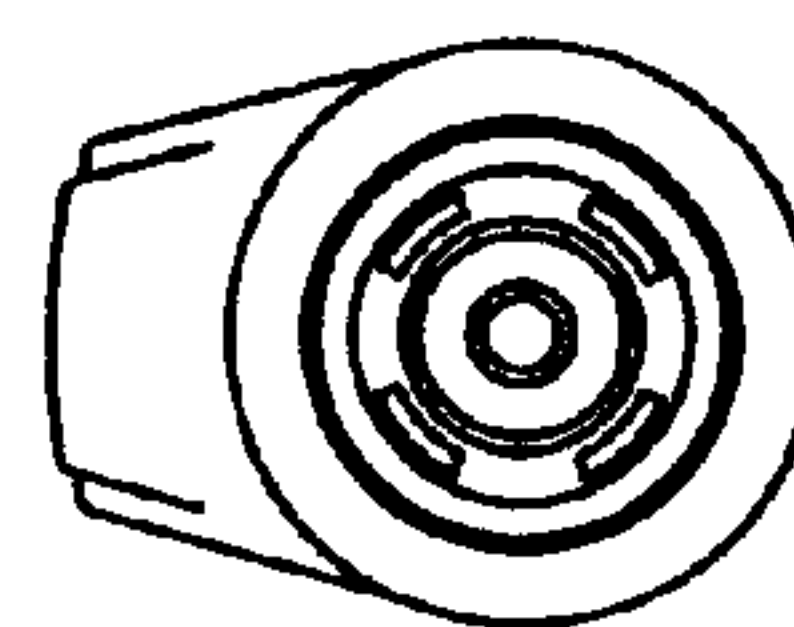


FIG. 7

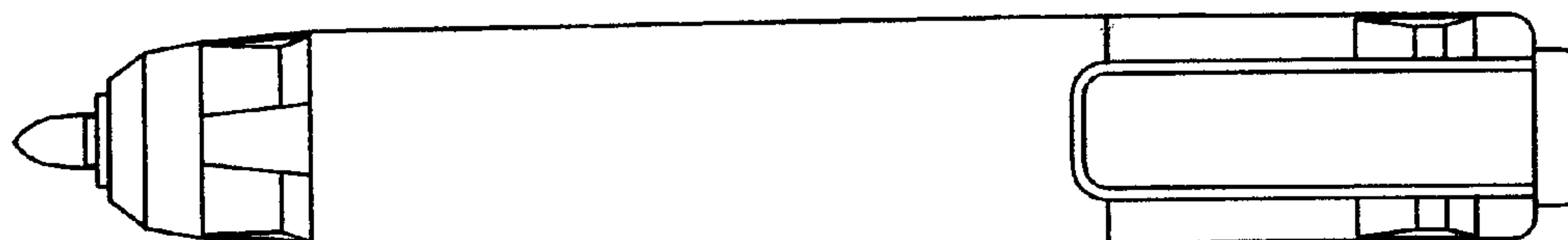


FIG. 8

