



US00D522576S

(12) **United States Design Patent**  
**Smith**

(10) **Patent No.:** **US D522,576 S**  
(45) **Date of Patent:** **\*\* Jun. 6, 2006**

(54) **PAGE PLANNER**  
(75) Inventor: **Scott D. Smith**, Jacksonville, FL (US)  
(73) Assignee: **Advantus Corp.**, Jacksonville, FL (US)  
(\*\*) Term: **14 Years**

D312,656 S \* 12/1990 Huber ..... D19/3  
5,062,530 A \* 11/1991 Mitsuyama ..... 206/425  
5,466,008 A \* 11/1995 Ozeki ..... 281/31  
5,513,457 A \* 5/1996 Byrnes et al. .... 40/405  
5,795,089 A \* 8/1998 Ong ..... 402/79  
5,882,038 A \* 3/1999 Ong ..... 281/31

\* cited by examiner

(21) Appl. No.: **29/207,809**  
(22) Filed: **Jun. 21, 2004**

*Primary Examiner*—Janice E. Seeger  
*Assistant Examiner*—Elizabeth Albert  
(74) *Attorney, Agent, or Firm*—Arthur G. Yeager

(51) **LOC (8) Cl.** ..... **19-04**  
(52) **U.S. Cl.** ..... **D19/33**  
(58) **Field of Classification Search** ..... D19/1,  
D19/2, 3, 26, 27, 28, 29, 30, 31, 32, 33, 86;  
40/124.06, 359, 405, 530, 536, 537, 661;  
229/67.1, 67.2, 67.3, 67.4; 281/2, 3.1, 15.1,  
281/19.1, 21.1, 22, 29, 38  
See application file for complete search history.

(57) **CLAIM**

I claim the ornamental design for a page planner, as shown and described.

**DESCRIPTION**

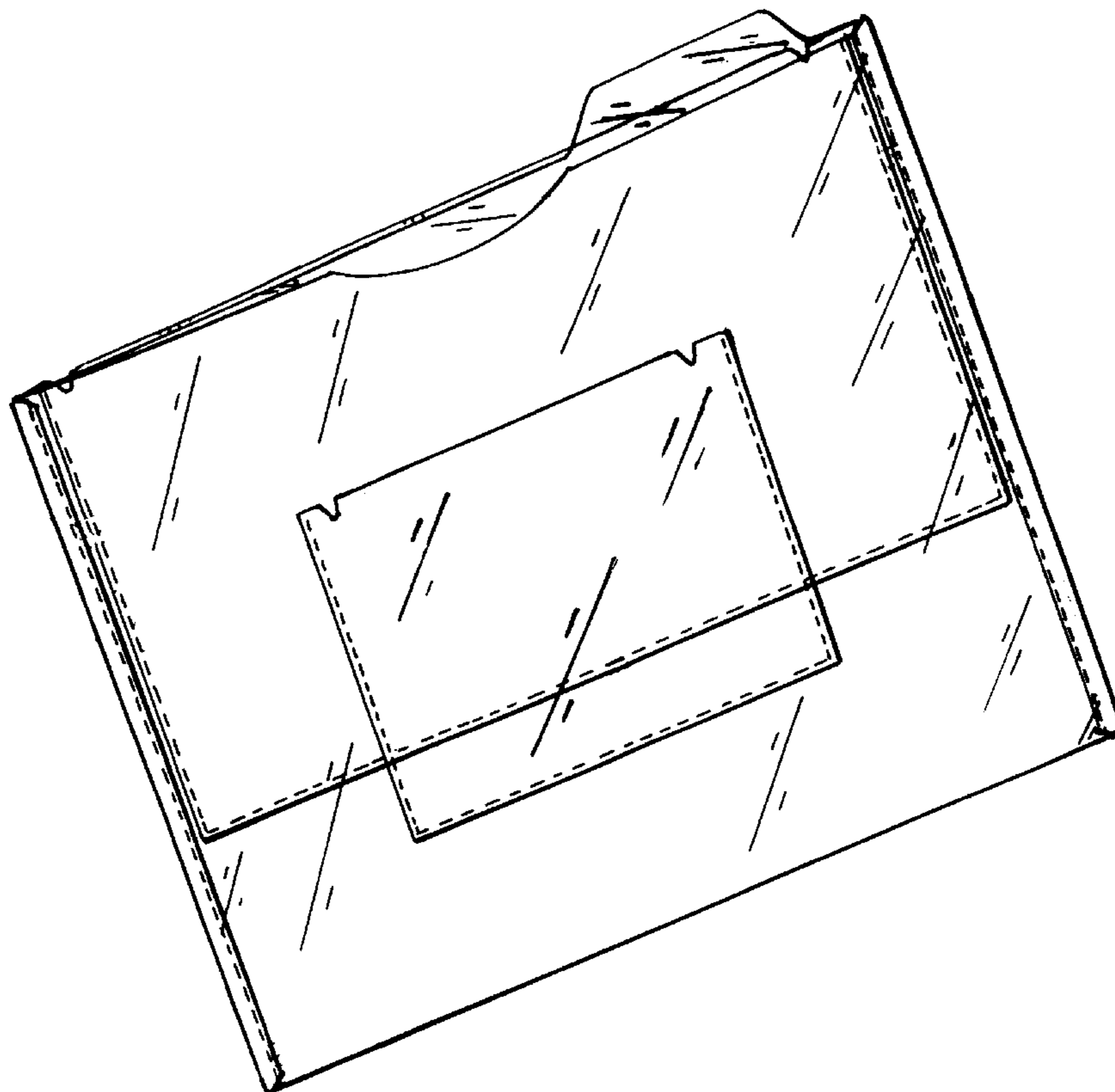
FIG. 1 is a front perspective view of a page planner showing my new design, the broken lines illustrating heat seals of the plastic material forming the invention;  
FIG. 2 is a front elevational view thereof;  
FIG. 3 is a rear elevational view thereof;  
FIG. 4 is a top plan view thereof;  
FIG. 5 is an inverted bottom plan view thereof; and,  
FIG. 6 is a right end elevational view thereof, the left end elevational view being the mirror image thereof.

(56) **References Cited**

U.S. PATENT DOCUMENTS

3,142,437 A \* 7/1964 Grant et al. .... 229/67.1  
3,360,027 A \* 12/1967 Price ..... 150/132  
3,459,361 A \* 8/1969 Matton ..... 383/40  
D262,891 S \* 2/1982 Nast ..... D19/33  
D312,476 S \* 11/1990 Westendorff ..... D19/27

**1 Claim, 3 Drawing Sheets**



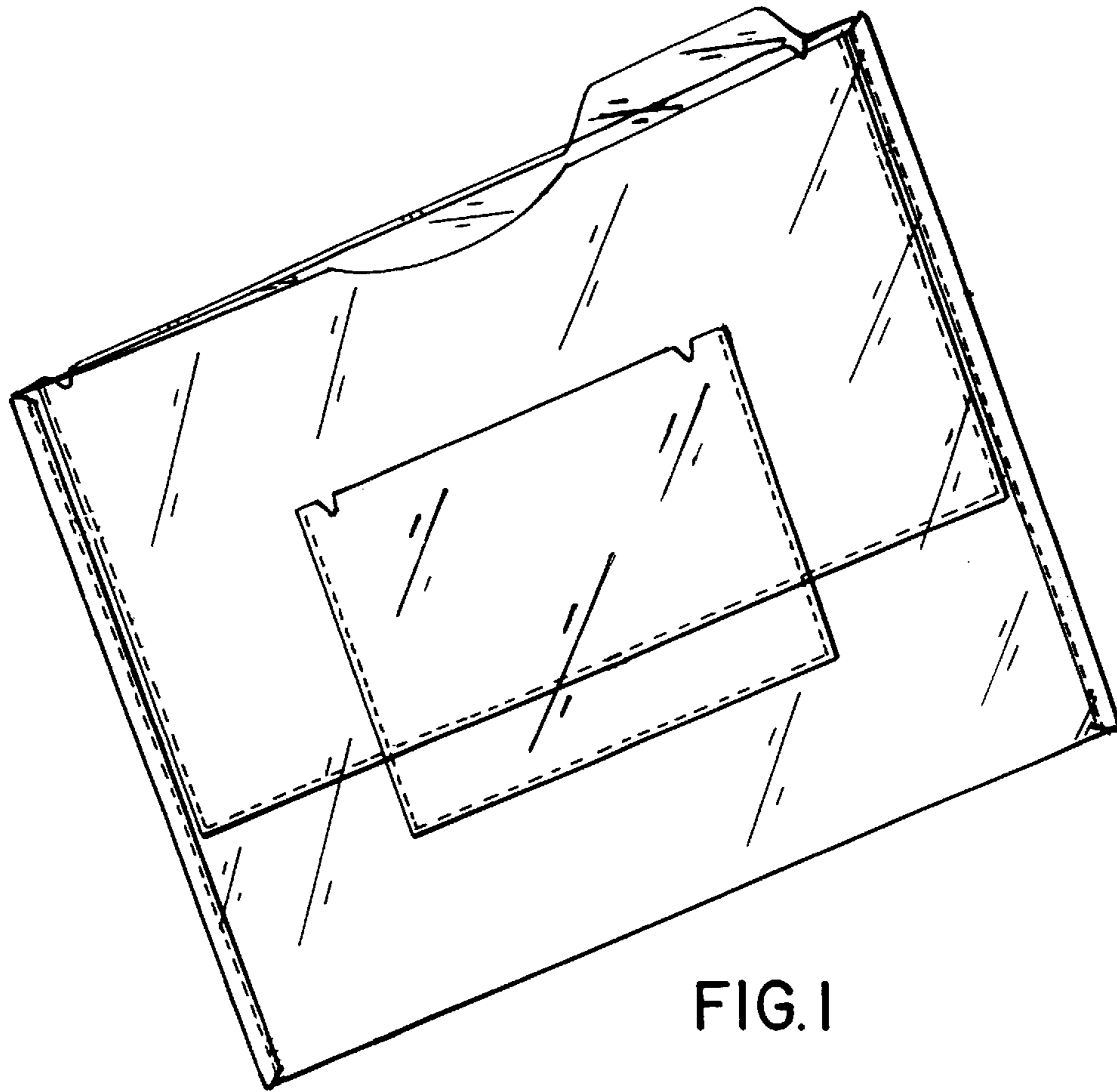


FIG. 1

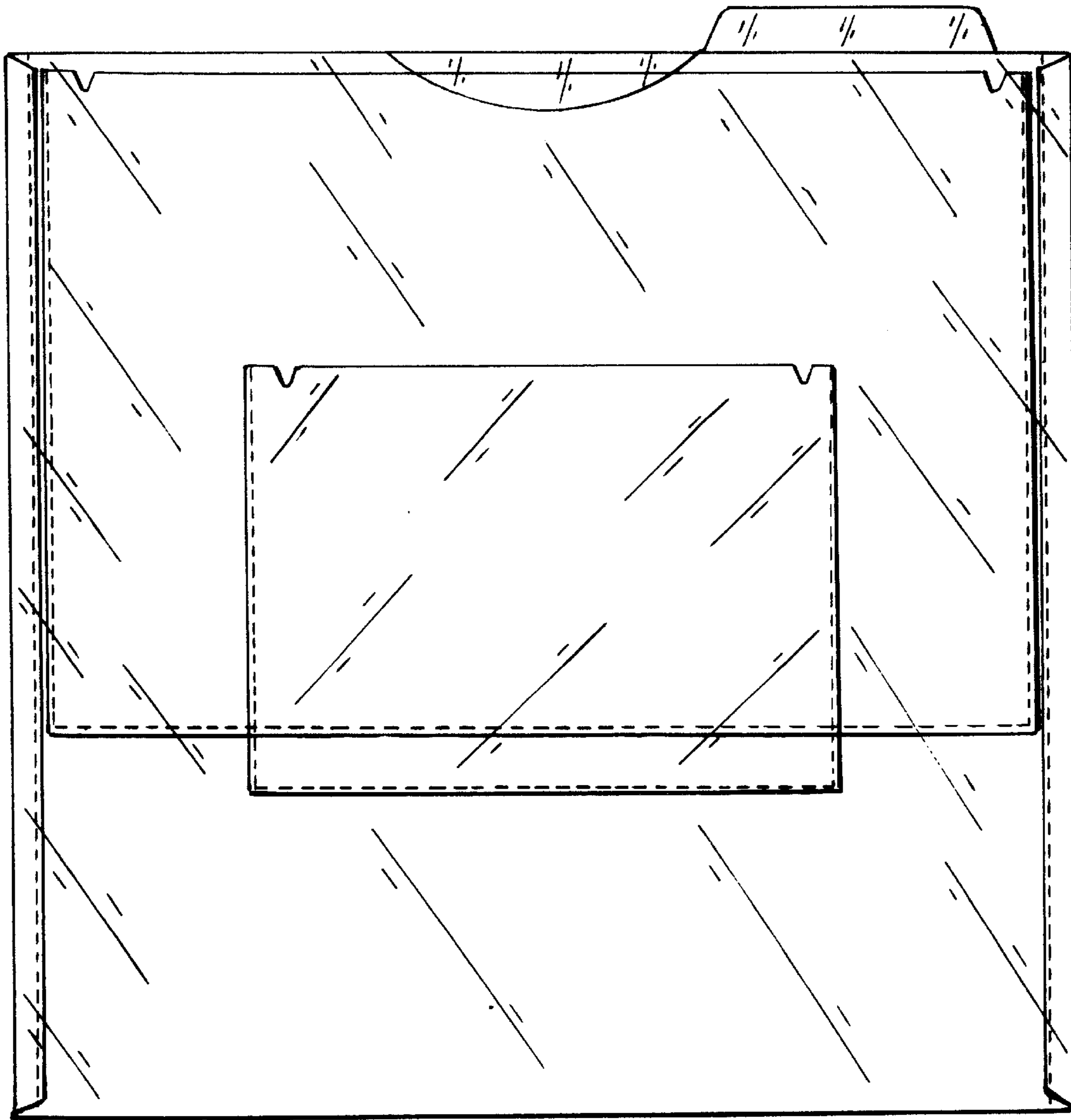


FIG. 2

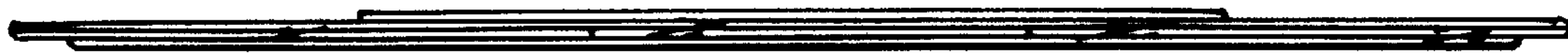


FIG. 4

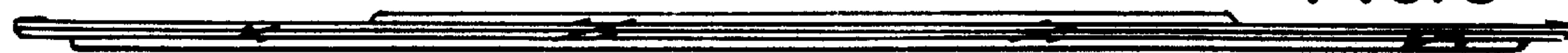


FIG. 5

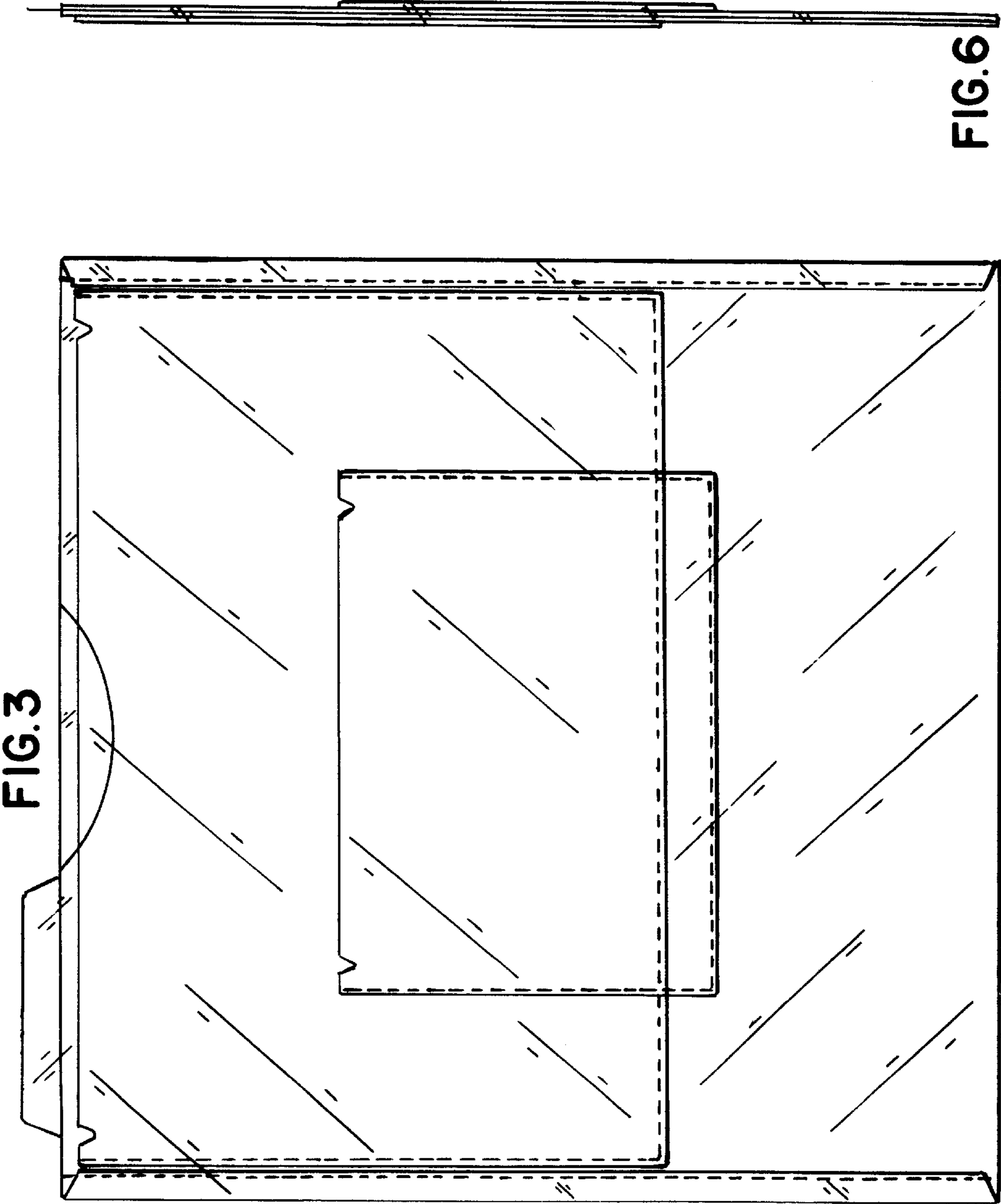


FIG. 3

FIG. 6