



US00D522575S

(12) **United States Design Patent**
Smith

(10) **Patent No.:** **US D522,575 S**

(45) **Date of Patent:** **** Jun. 6, 2006**

(54) **SCRAPBOOK PAPER AND STICKER ORGANIZER**

(75) Inventor: **Scott D. Smith**, Jacksonville, FL (US)

(73) Assignee: **Advantus Corp.**, Jacksonville, FL (US)

(**) Term: **14 Years**

(21) Appl. No.: **29/207,808**

(22) Filed: **Jun. 21, 2004**

(51) **LOC (8) Cl.** **19-04**

(52) **U.S. Cl.** **D19/33**

(58) **Field of Classification Search** D19/1,
D19/2, 3, 26, 27, 28, 29, 30, 31, 32, 33, 86;
40/124.06, 359, 405, 530, 536, 537, 661;
229/67.1, 67.2, 67.3, 67.4; 281/2, 3.1, 15.1,
281/19.1, 21.1, 22, 29, 38

See application file for complete search history.

(56) **References Cited**

U.S. PATENT DOCUMENTS

| | | | | | | |
|-----------|---|---|---------|--------------|-------|----------|
| 2,568,178 | A | * | 9/1951 | Widder | | 40/777 |
| 3,142,437 | A | * | 7/1964 | Grant et al. | | 229/67.1 |
| 3,360,027 | A | * | 12/1967 | Price | | 150/132 |
| 3,459,361 | A | * | 8/1969 | Matton | | 383/40 |

| | | | | | | |
|--------------|----|---|---------|------------------|-------|----------|
| D366,495 | S | * | 1/1996 | Hirai | | D19/3 |
| D421,050 | S | * | 2/2000 | Henrikson et al. | | D19/33 |
| 6,209,778 | B1 | * | 4/2001 | Henrikson et al. | | 229/67.1 |
| 6,808,104 | B1 | * | 10/2004 | Cobble | | 229/67.1 |
| 2004/0139643 | A1 | * | 7/2004 | Lee et al. | | 40/771 |

* cited by examiner

Primary Examiner—Janice E. Seeger

Assistant Examiner—Elizabeth Albert

(74) *Attorney, Agent, or Firm*—Arthur G. Yeager

(57) **CLAIM**

I claim the ornamental design for a scrapbook paper and sticker organizer, as shown and described.

DESCRIPTION

FIG. 1 is a front perspective view of a scrapbook paper and sticker organizer showing my new design, the broken lines illustrating heat seals of the plastic material forming the invention;

FIG. 2 is a rear elevational view thereof;

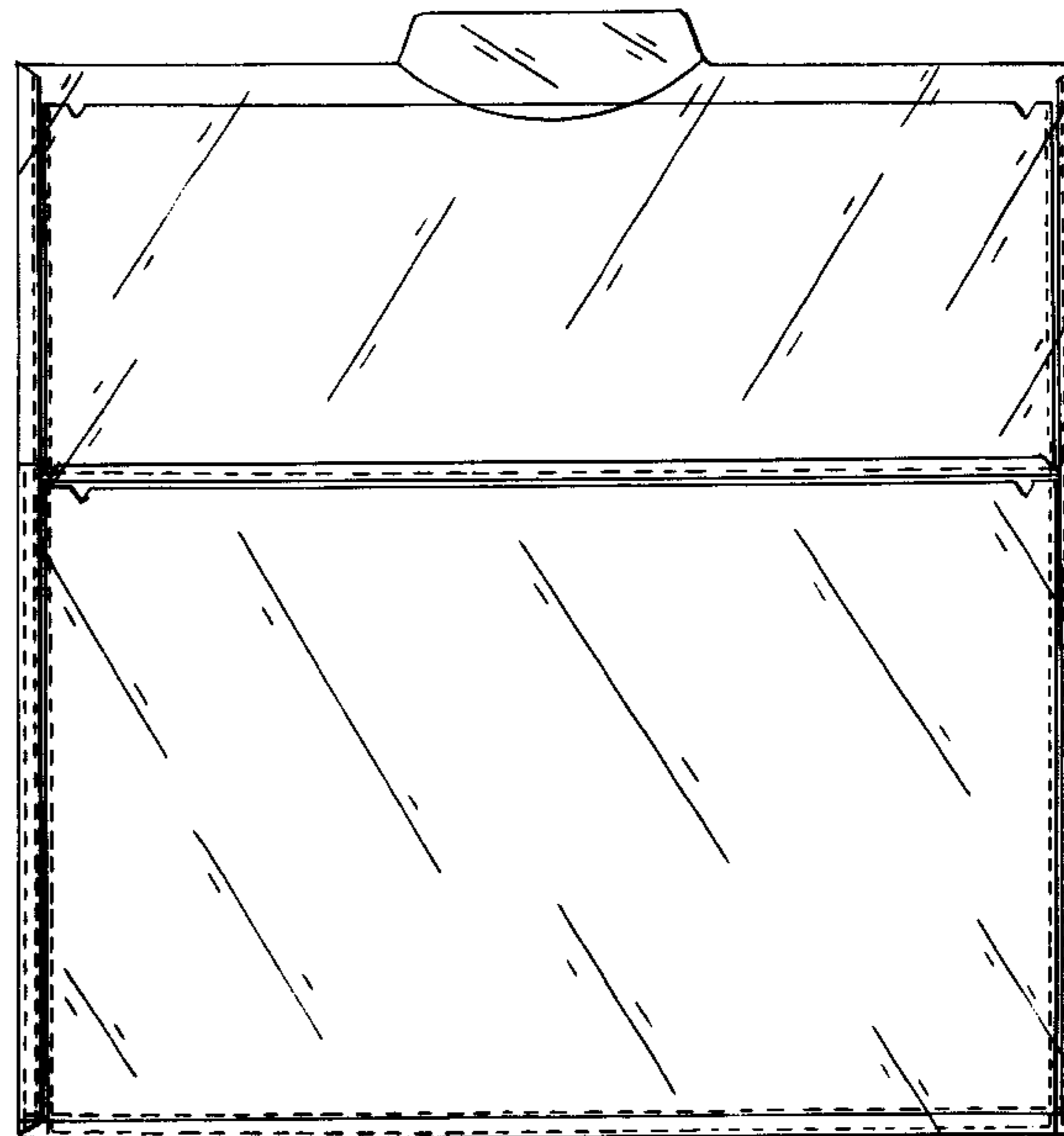
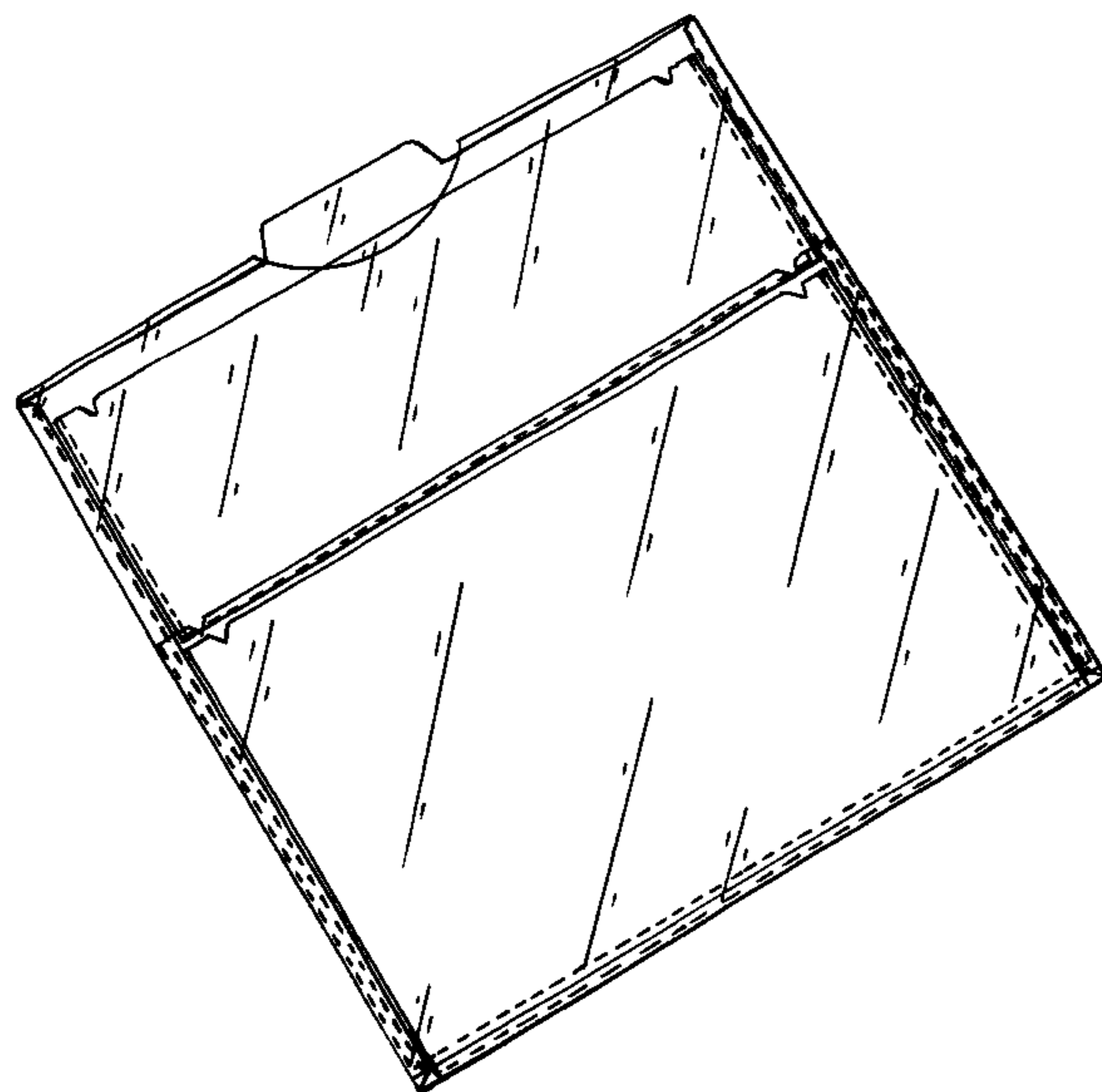
FIG. 3 is a front elevational view thereof;

FIG. 4 is a top plan view thereof;

FIG. 5 is a bottom plan view thereof; and,

FIG. 6 is a right end elevational view thereof, the left end elevational view being the mirror image thereof.

1 Claim, 3 Drawing Sheets



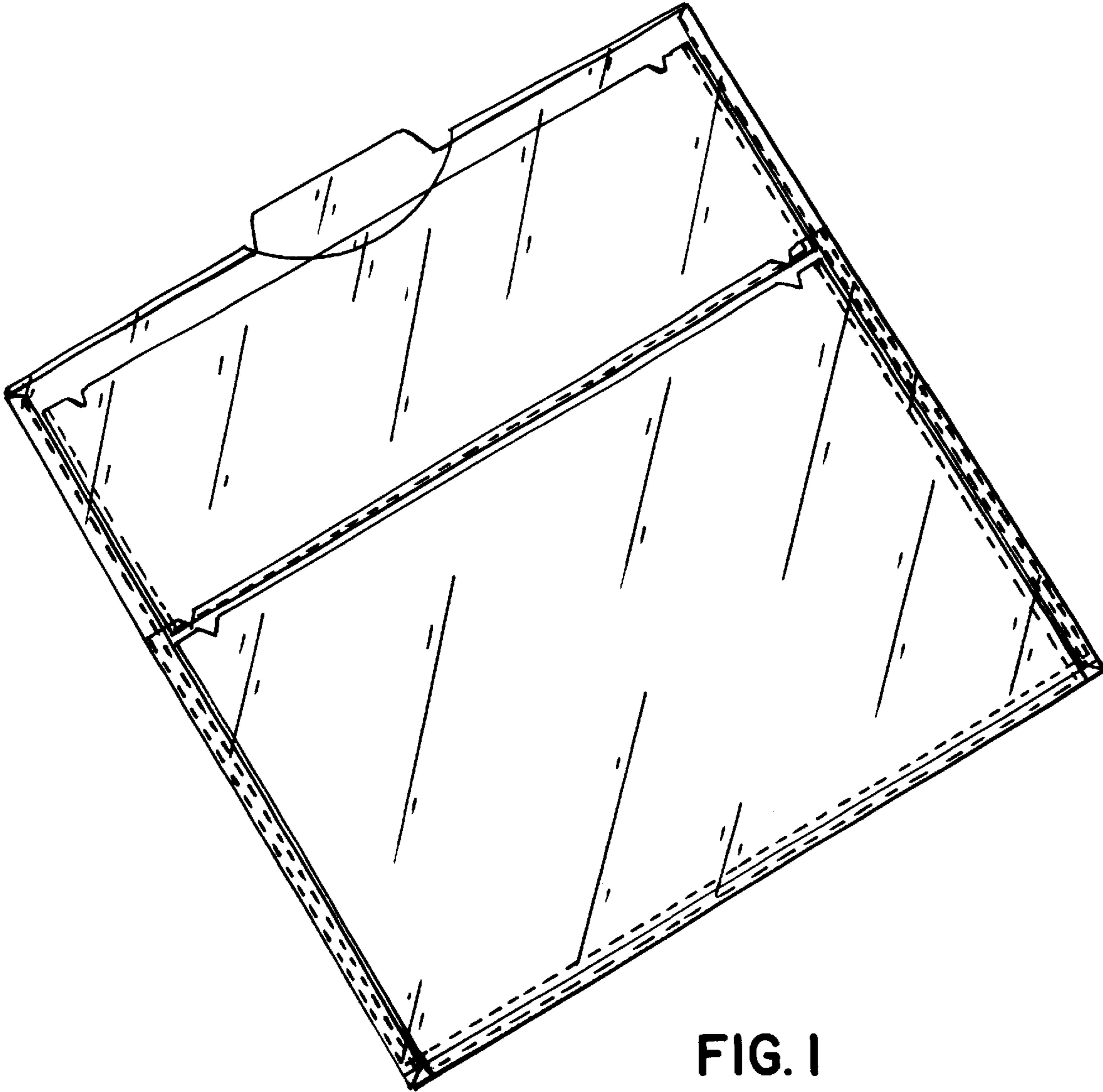


FIG. 1

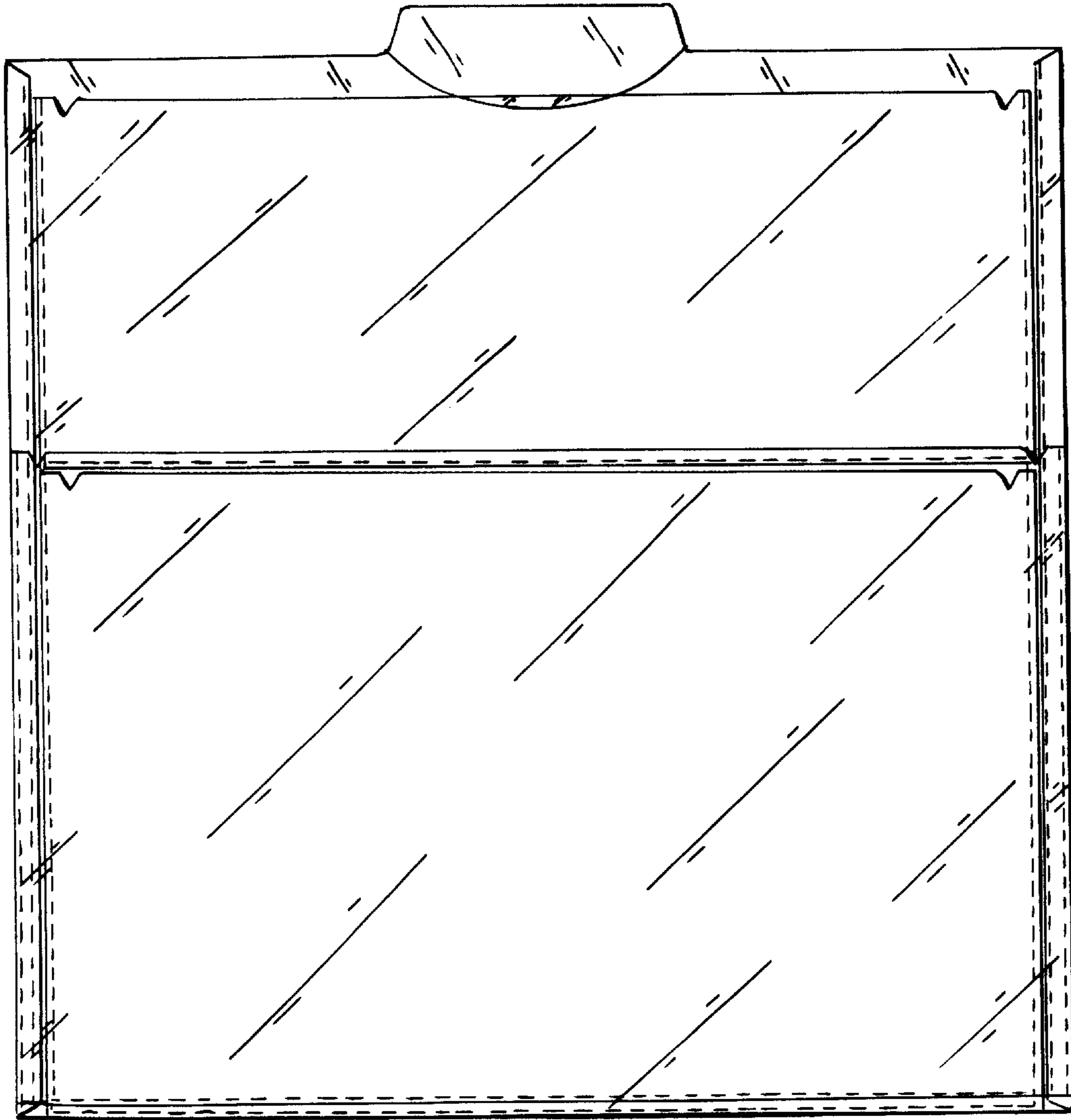


FIG. 2



FIG. 4



FIG. 5

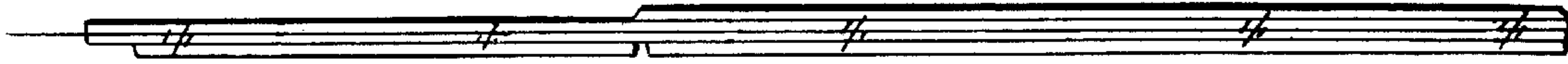


FIG. 6

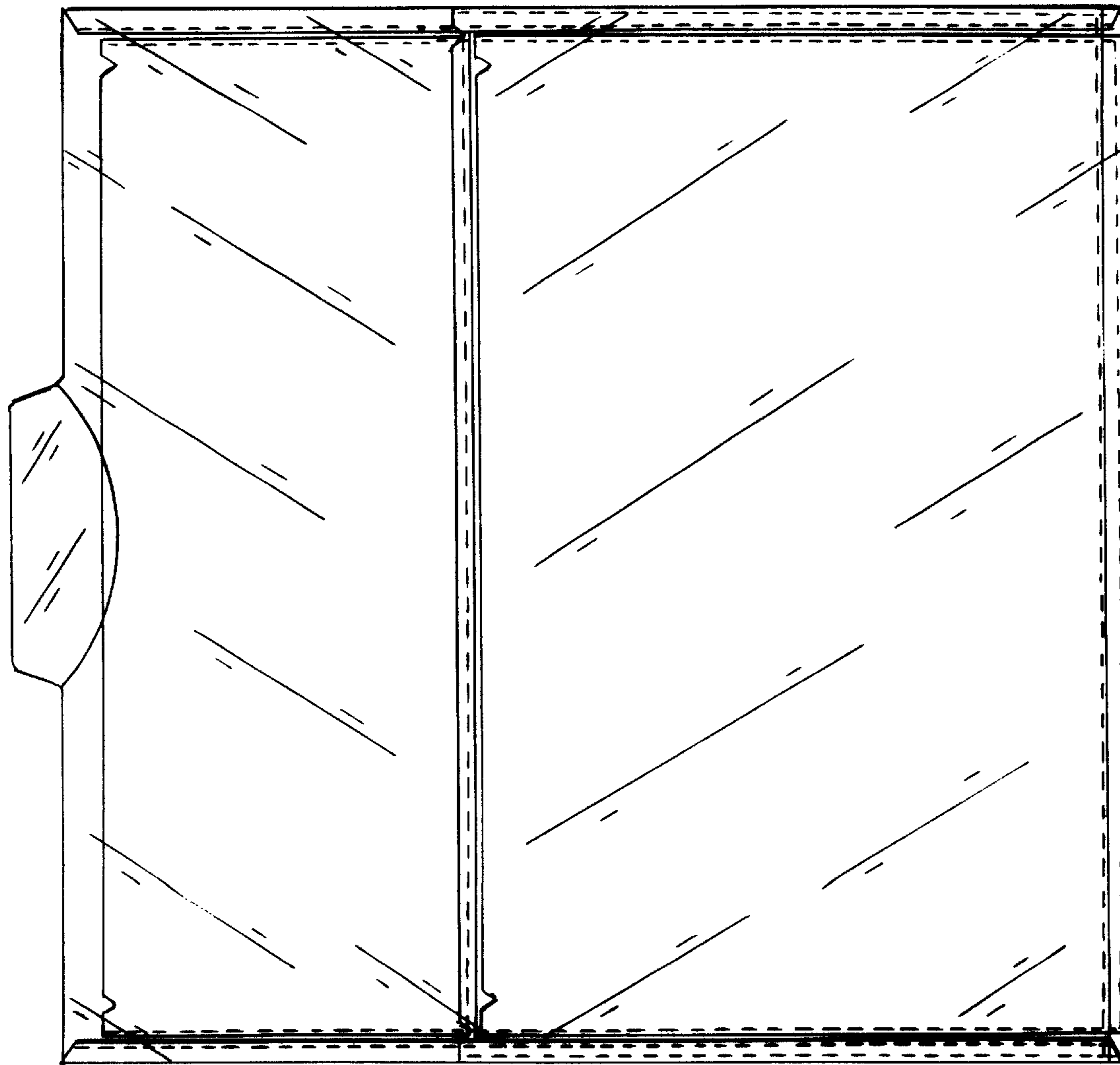


FIG. 3