

US00D522574S

(12) **United States Design Patent** (10) **Patent No.:** **US D522,574 S**  
**Gavronsky** (45) **Date of Patent:** **\*\* Jun. 6, 2006**

(54) **SLOTTED CALENDAR SLIDE**  
(75) Inventor: **Allan Gavronsky**, Cincinnati, OH (US)  
(73) Assignee: **Stuebing Automatic Machine Co.**,  
Cincinnati, OH (US)  
(\*\*) Term: **14 Years**

(21) Appl. No.: **29/205,753**  
(22) Filed: **May 20, 2004**

(51) **LOC (8) Cl.** ..... **19-03**  
(52) **U.S. Cl.** ..... **D19/20**  
(58) **Field of Classification Search** ..... D25/119,  
D25/136, 141; D19/20-25; 40/107-122;  
211/45, 50; 402/70  
See application file for complete search history.

(56) **References Cited**

U.S. PATENT DOCUMENTS

1,057,295	A	3/1913	Stuebing, Sr.	
1,906,024	A	4/1933	Todd	
2,042,912	A	6/1936	Stuebing, Jr.	
2,774,161	A	* 12/1956	Dixon	40/107
2,940,455	A	* 6/1960	Guichard	211/50
4,105,127	A	* 8/1978	Holl	211/45
5,096,069	A	3/1992	Brandon	
5,599,045	A	* 2/1997	Asai et al.	281/21.1
5,707,194	A	1/1998	Blumberg	
D390,600	S	* 2/1998	Jordan	D19/20
6,042,319	A	3/2000	Hoffman	
6,182,938	B1	* 2/2001	Wright	211/45
6,698,988	B1	3/2004	Hoffman	
2004/0111928	A1	* 6/2004	Gavronsky	40/107
2004/0114989	A1	* 6/2004	Gavronsky	402/70

\* cited by examiner

*Primary Examiner*—Robert A. Delehanty  
*Assistant Examiner*—Mark Cavanna  
(74) *Attorney, Agent, or Firm*—Wood, Herron & Evans, LLP

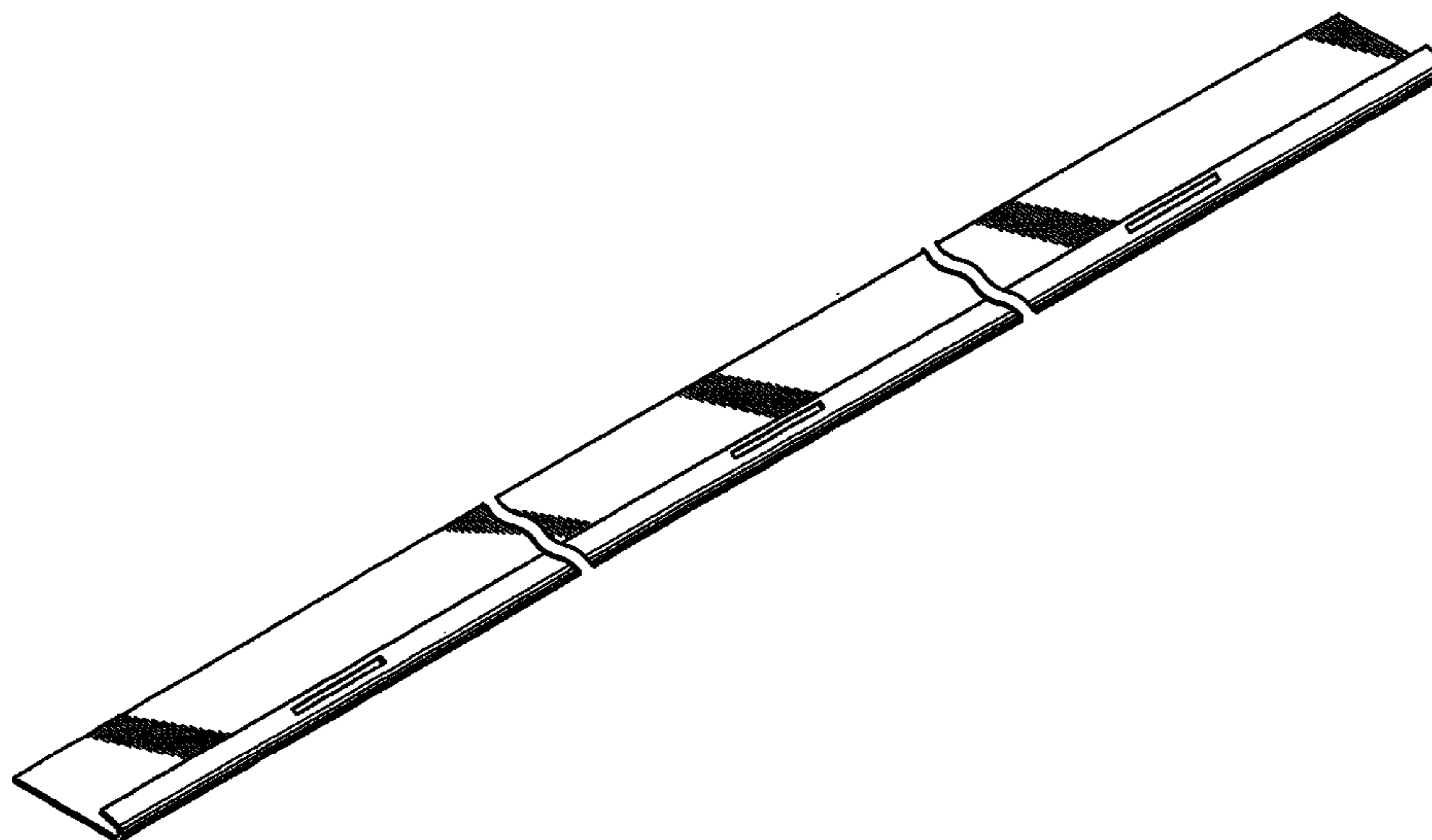
(57) **CLAIM**

The ornamental design for a slotted calendar slide, as shown and described.

**DESCRIPTION**

FIG. 1 is back perspective view of a first embodiment of a slotted calendar slide according to this invention shown broken away to indicate indeterminate length; FIG. 2 is a front perspective view of the slotted calendar slide of FIG. 1; FIG. 3 is an enlarged partial view of the slot and surrounding portion of the calendar slide of FIG. 1; FIG. 4 is a front view of the calendar slide of FIG. 1; FIG. 5 is an end view of the calendar slide of FIG. 1; FIG. 6 is a back view of the calendar slide of FIG. 1; FIG. 7 is a top view of the calendar slide of FIG. 1; FIG. 8 is a bottom view of the calendar slide of FIG. 1; FIG. 9 is a back perspective view of a second embodiment of a slotted calendar slide according to this invention shown broken away to indicate indeterminate length; FIG. 10 is a front view of the calendar slide of FIG. 9; FIG. 11 is an end view of the calendar slide of FIG. 9; FIG. 12 is a back view of the calendar slide of FIG. 9; FIG. 13 is a top view of the calendar slide of FIG. 9; FIG. 14 is a bottom view of the calendar slide of FIG. 9; FIG. 15 is a back perspective view of a third embodiment of a slotted calendar slide according to this invention shown broken away to indicate indeterminate length; FIG. 16 is a front view of the calendar slide of FIG. 15; FIG. 17 is an end view of the calendar slide of FIG. 15; FIG. 18 is a back view of the calendar slide of FIG. 15; FIG. 19 is a top view of the calendar slide of FIG. 15; and, FIG. 20 is a bottom view of the calendar slide of FIG. 15.

**1 Claim, 6 Drawing Sheets**



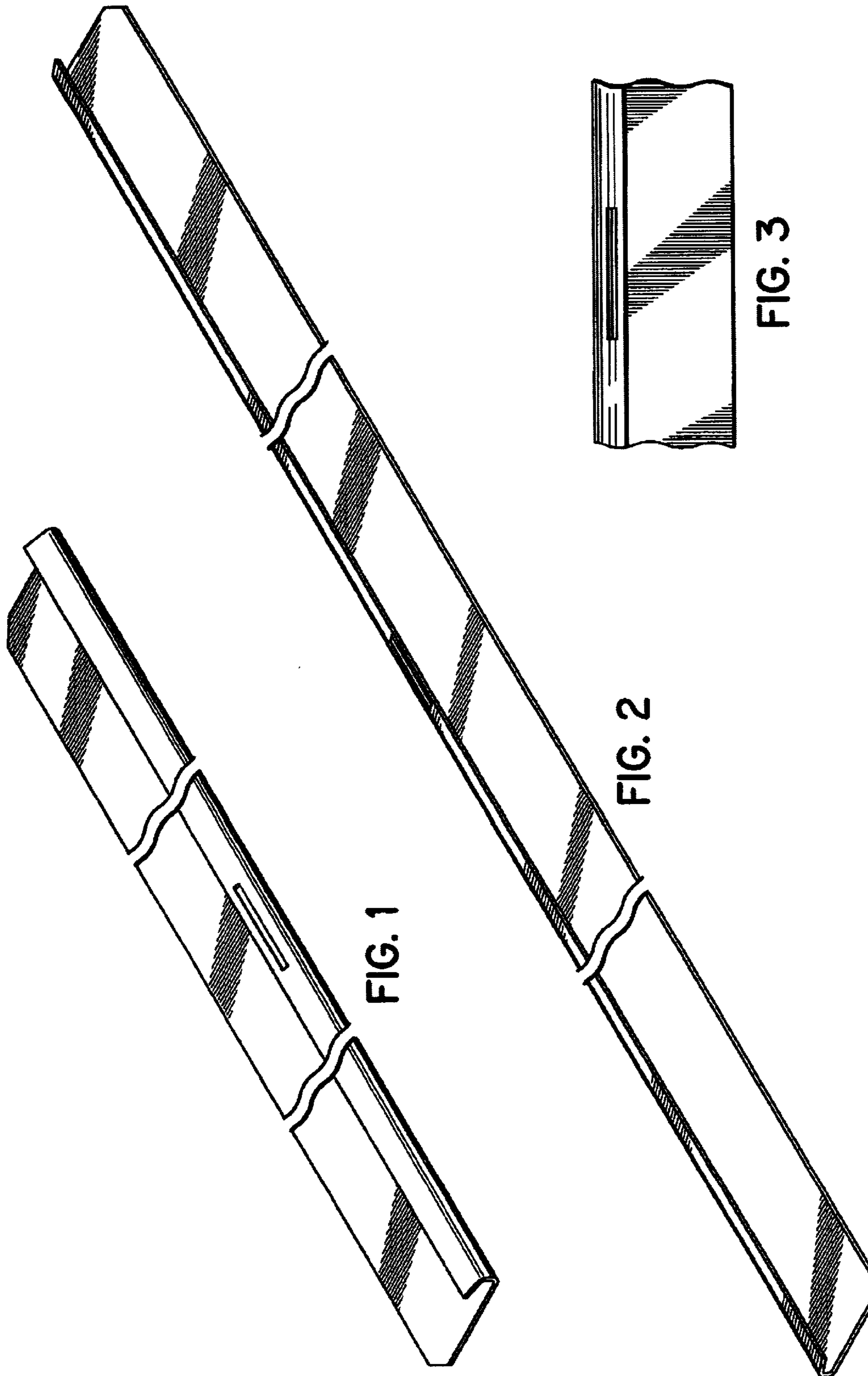


FIG. 1

FIG. 2

FIG. 3



FIG. 4



FIG. 5



FIG. 6

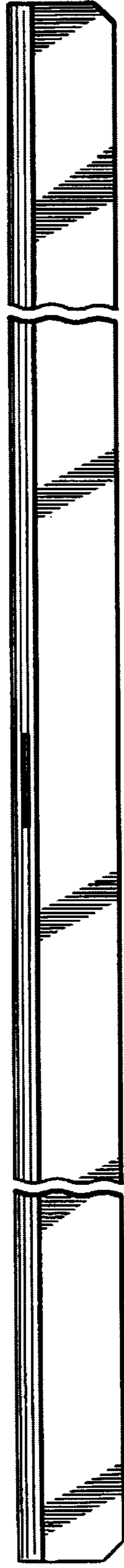


FIG. 7

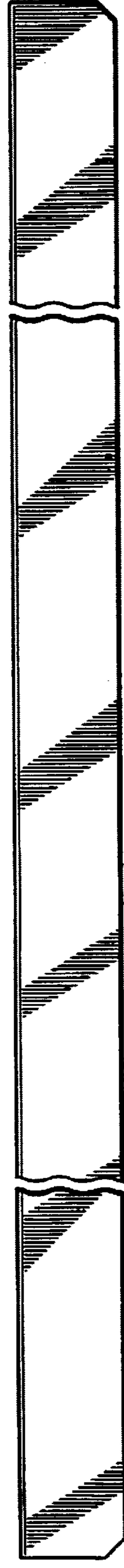


FIG. 8

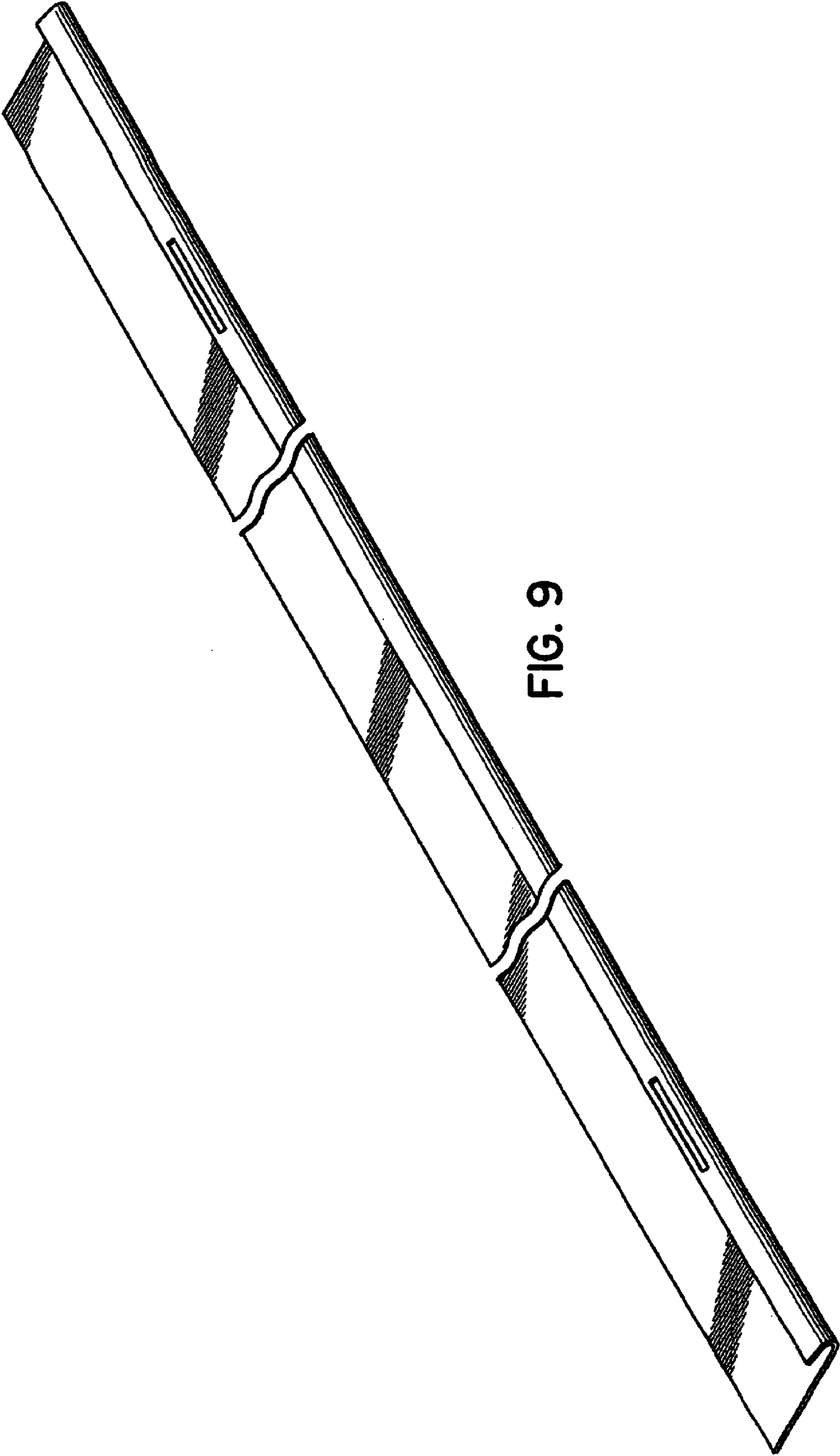


FIG. 9



FIG. 10



FIG. 11

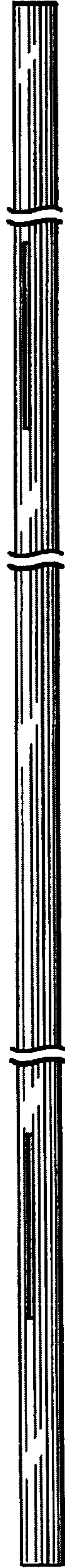


FIG. 12

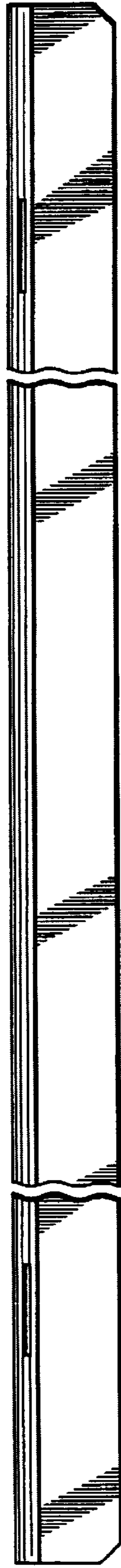


FIG. 13

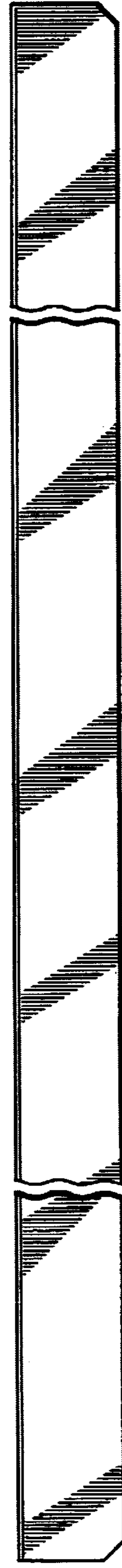


FIG. 14

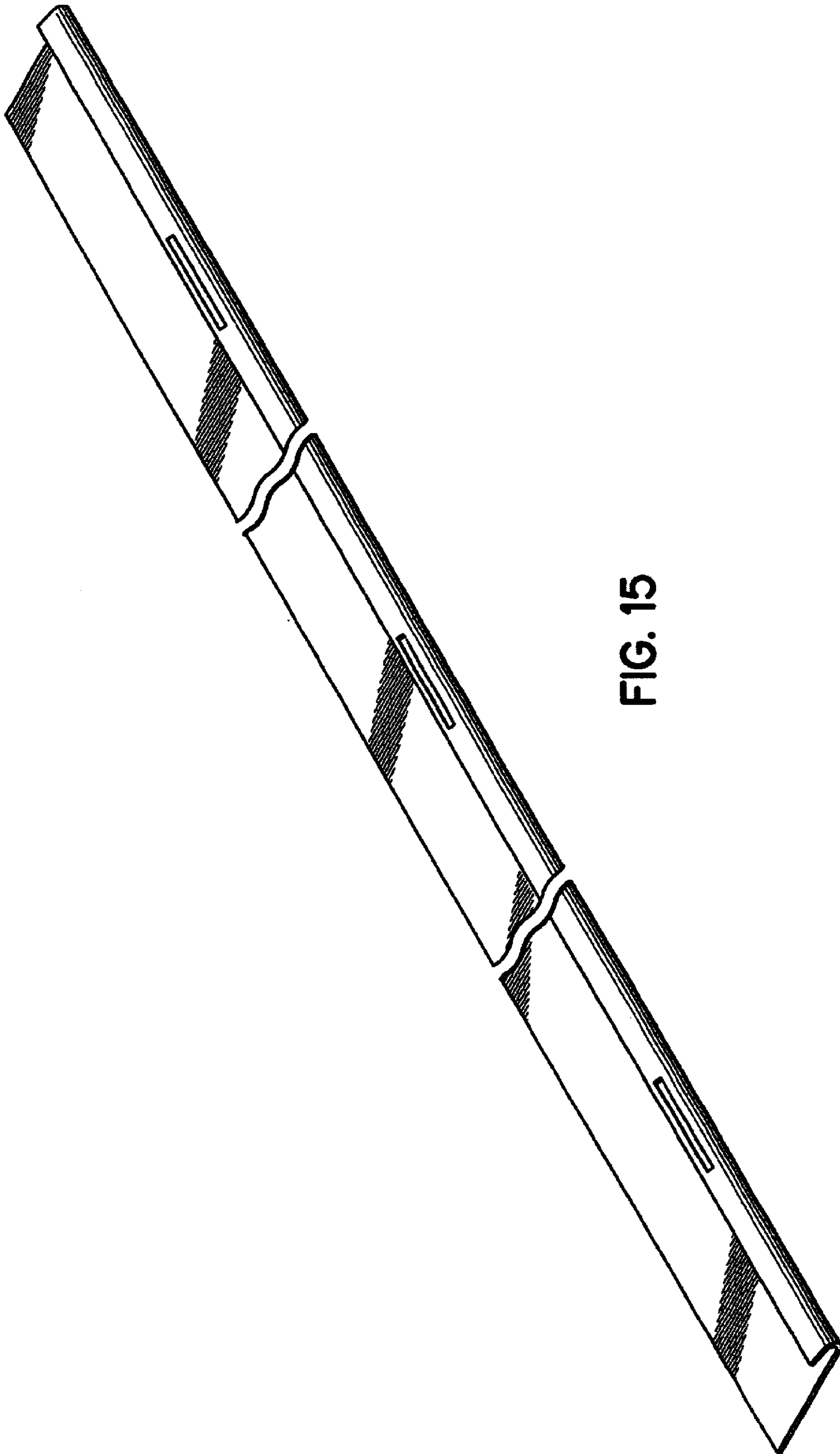


FIG. 15



FIG. 16



FIG. 17



FIG. 18

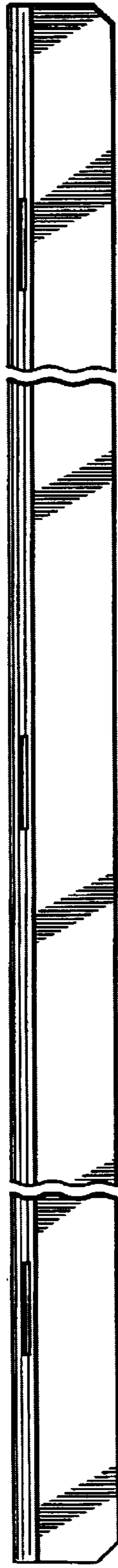


FIG. 19

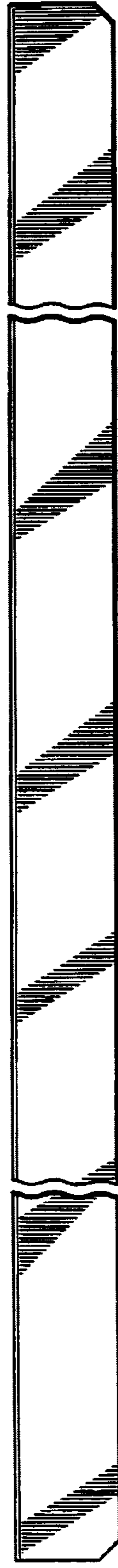


FIG. 20