



US00D522572S

(12) **United States Design Patent**
Lee et al.

(10) **Patent No.: US D522,572 S**
(45) **Date of Patent: ** Jun. 6, 2006**

(54) **PRINTER**

(75) Inventors: **Hock Lim Lee**, Singapore (SG);
Mylene Angele Kit Njoek Tjin Wong
Joe, Singapore (SG); **Chee Kuan**
Evelyn Ho, Singapore (SG); **Baskar**
Parthasarathy, Singapore (SG)

(73) Assignee: **Hewlett-Packard Development, L.P.**,
Houston, TX (US)

(**) Term: **14 Years**

(21) Appl. No.: **29/238,970**

(22) Filed: **Sep. 9, 2005**

Related U.S. Application Data

(62) Division of application No. 29/203,422, filed on Apr. 13, 2004.

(51) **LOC (8) Cl.** **18-02**

(52) **U.S. Cl.** **D18/55; D18/46**

(58) **Field of Classification Search** D18/36-39,
D18/46-49, 53-54, 54.1, 55, 14, 19, 50-51;
D14/420-425, 462-470; 400/613, 613.1-613.4,
400/690.1-690.4, 691-694; 271/65
See application file for complete search history.

(56) **References Cited**

U.S. PATENT DOCUMENTS

4,629,173 A * 12/1986 Hashimoto et al. 271/65
4,671,503 A * 6/1987 Uemori 271/65

D291,096 S	*	7/1987	Yomo	D18/55
D321,532 S	*	11/1991	Doyle et al.	D18/55
D348,899 S	*	7/1994	Masujima et al.	D18/55
D356,816 S	*	3/1995	Cahill et al.	D18/49
D366,494 S	*	1/1996	Bishop	D18/49
D369,181 S	*	4/1996	Kobayashi	D18/55
D373,380 S	*	9/1996	Dwyer et al.	D18/55
D379,197 S	*	5/1997	Kawahara et al.	D18/55
D382,894 S	*	8/1997	Berriman et al.	D18/55
D416,282 S	*	11/1999	Kenmochi	D18/46
D428,052 S	*	7/2000	Dwyer et al.	D18/55
D429,759 S	*	8/2000	Dwyer et al.	D18/55
D430,896 S	*	9/2000	Wong et al.	D18/55
D431,046 S	*	9/2000	Dwyer et al.	D18/40
6,267,368 B1	*	7/2001	Tomoe et al.	271/65
D448,044 S	*	9/2001	Wu et al.	D18/55
D474,500 S	*	5/2003	Ichiyoshi	D18/55
D475,398 S	*	6/2003	Todd	D18/46

* cited by examiner

Primary Examiner—Cathy Anne MacCormac

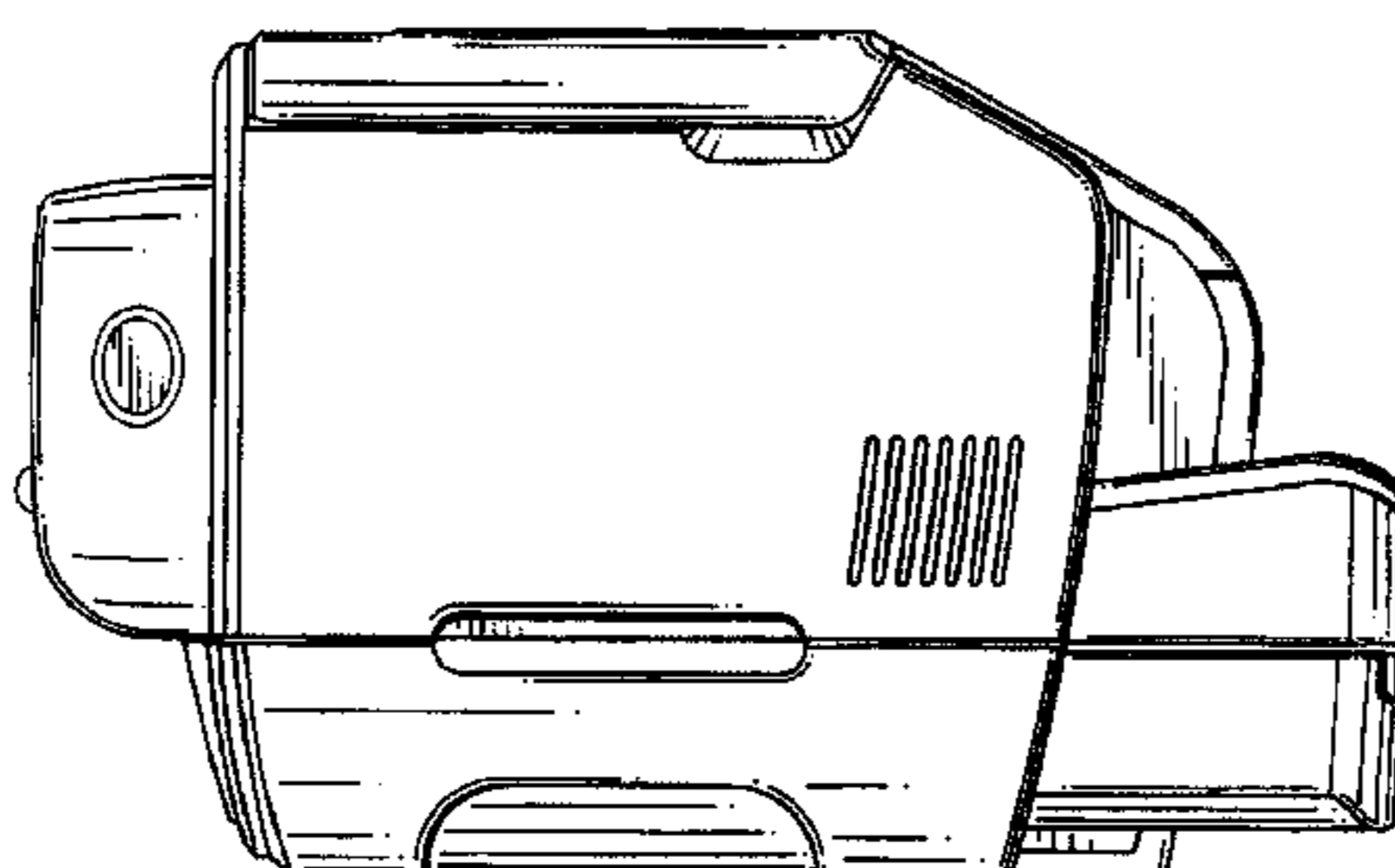
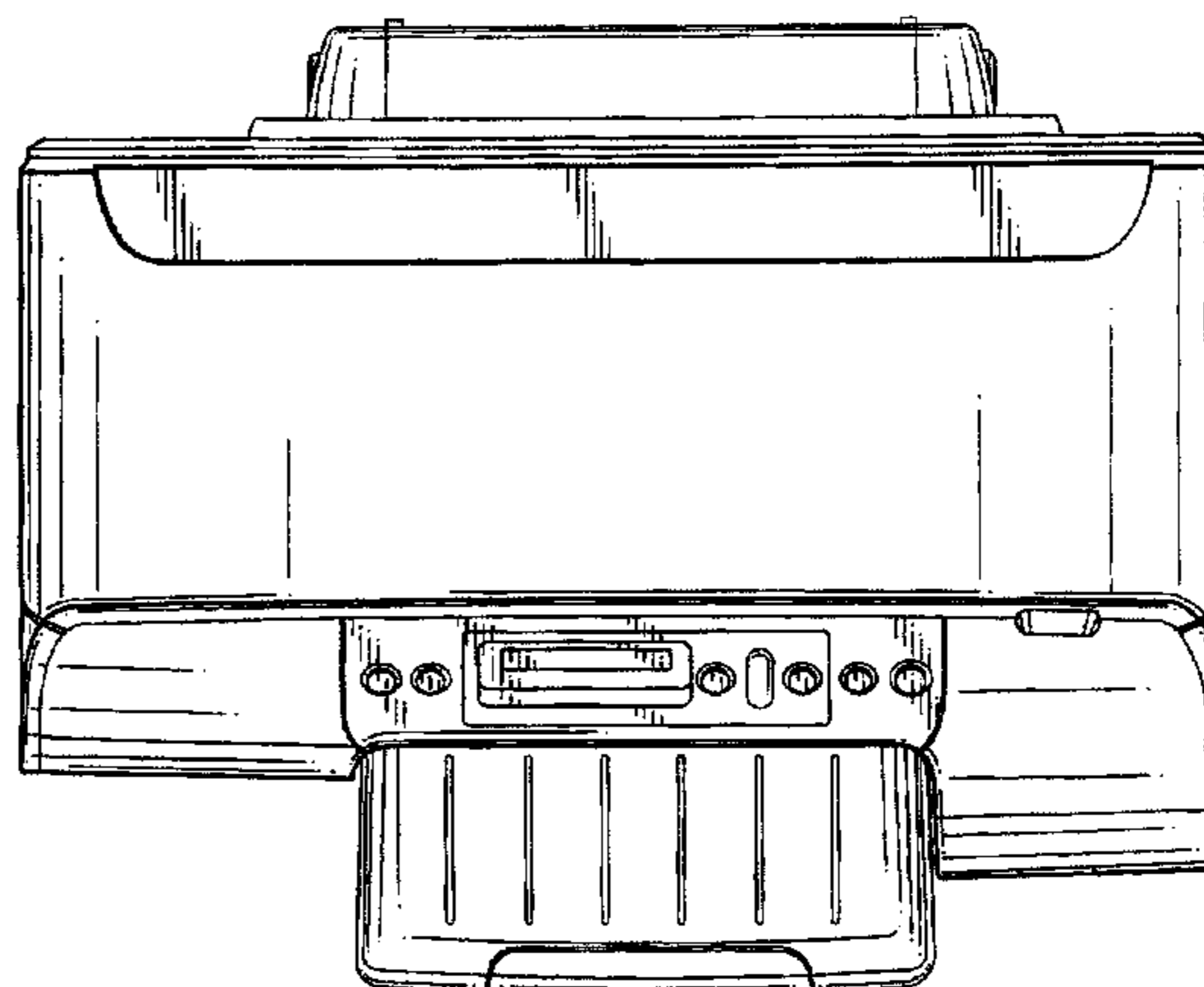
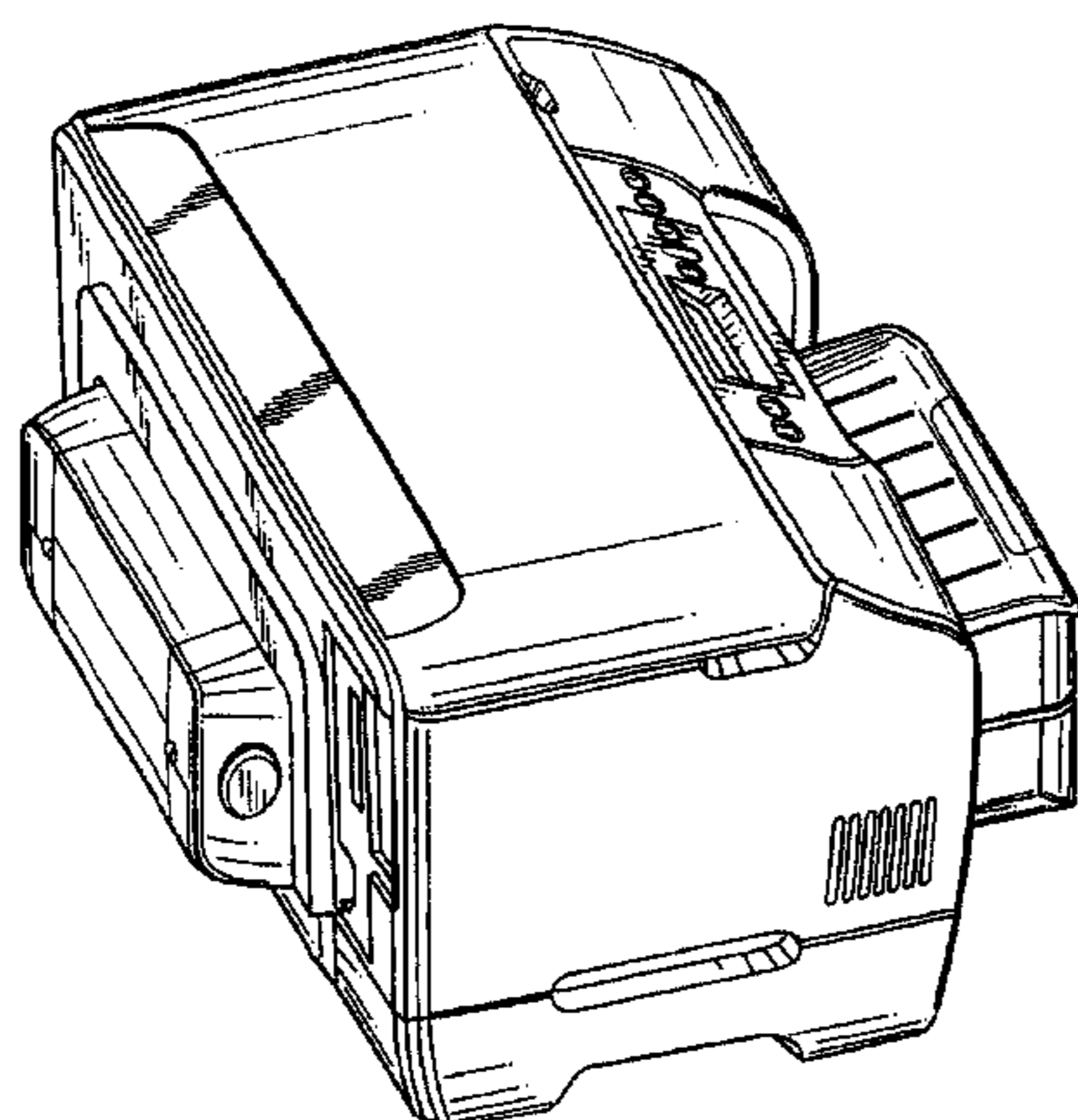
(57) **CLAIM**

The ornamental design for a printer, as shown.

DESCRIPTION

FIG. 1 is a perspective view of a printer with duplexer;
FIG. 2 is a rear elevational view thereof;
FIG. 3 is a top view thereof;
FIG. 4 is a bottom view thereof;
FIG. 5 is a left side view thereof; and,
FIG. 6 is a right side view thereof.

1 Claim, 6 Drawing Sheets



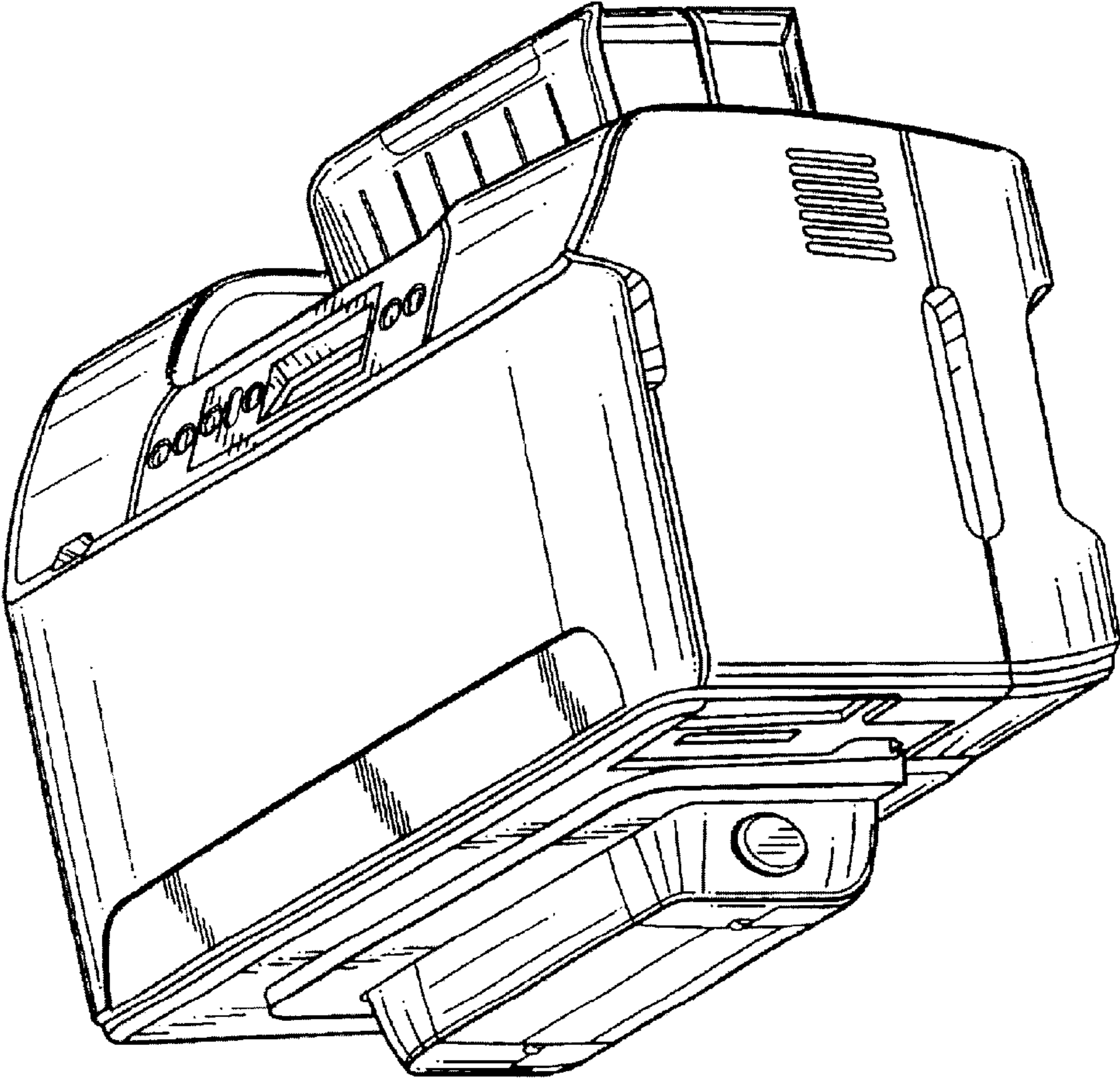


FIG. 1

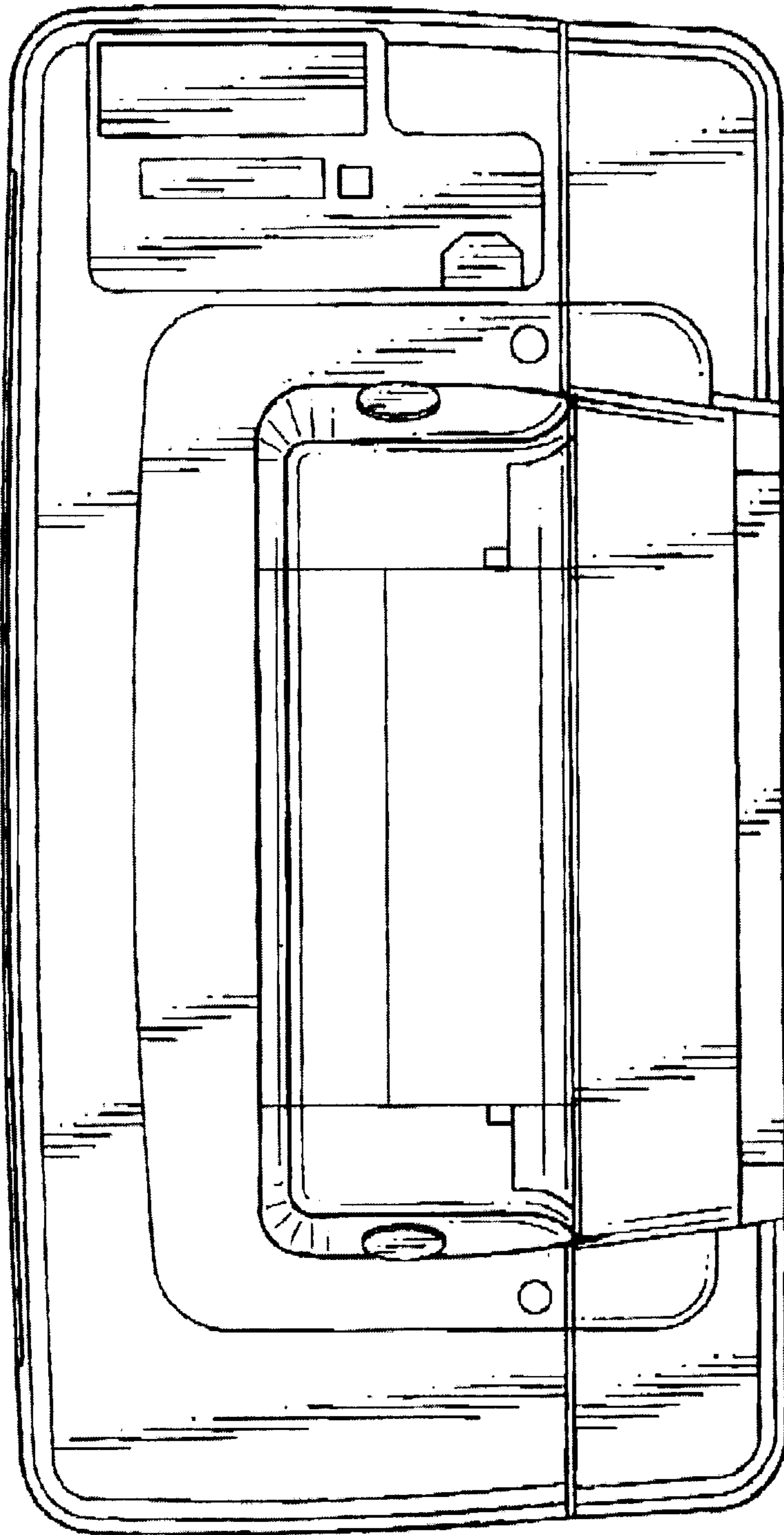


FIG. 2

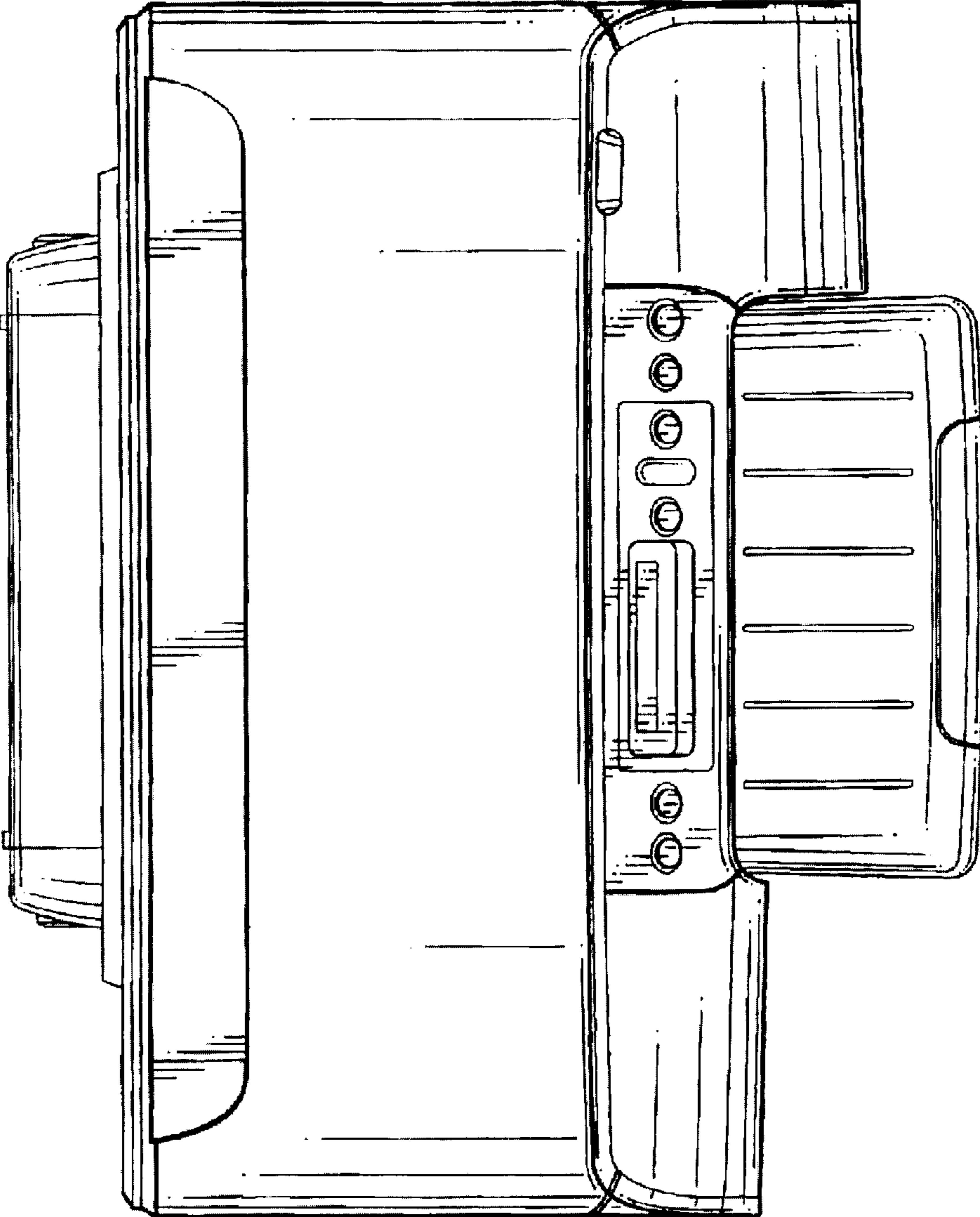


FIG. 3

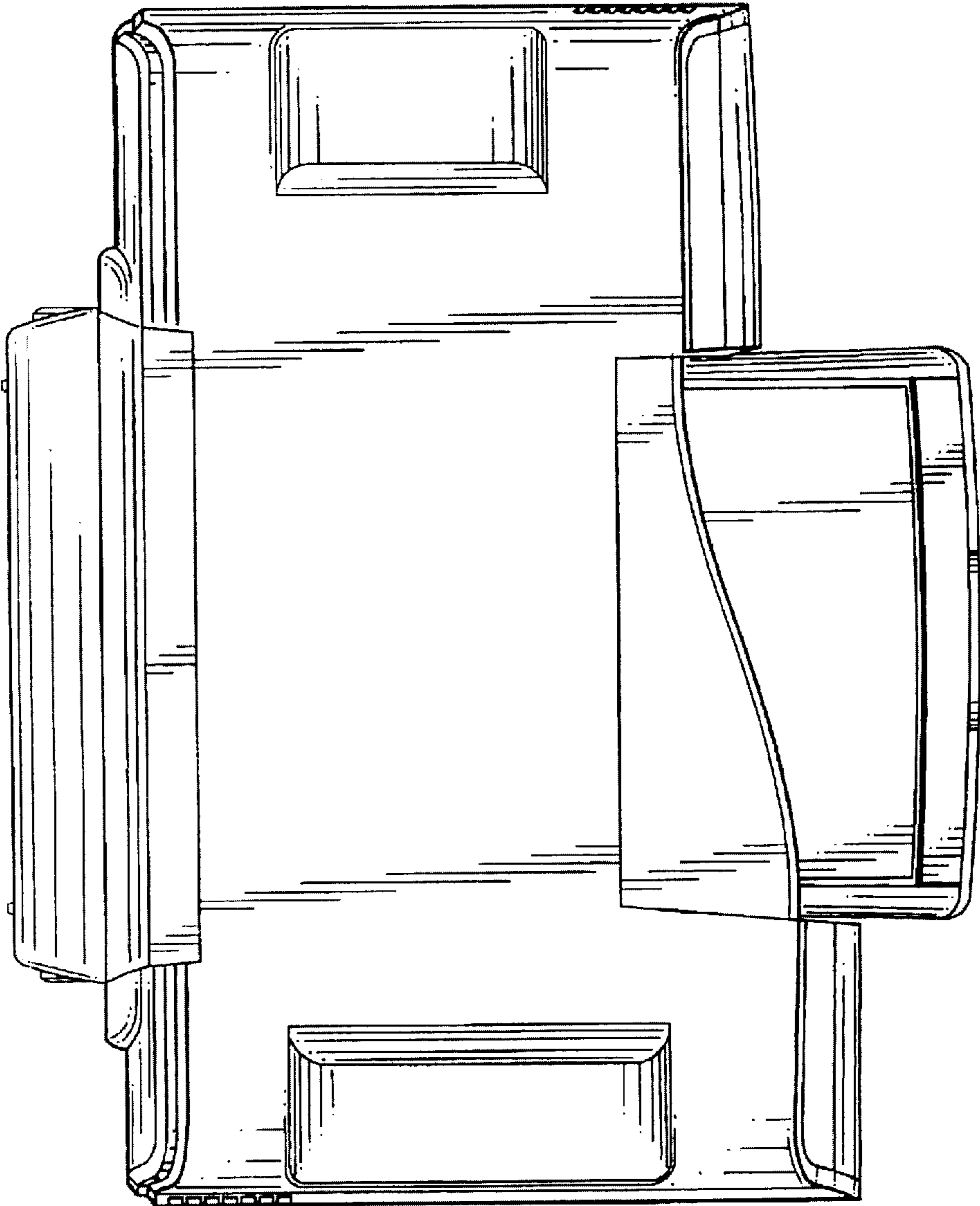


FIG. 4

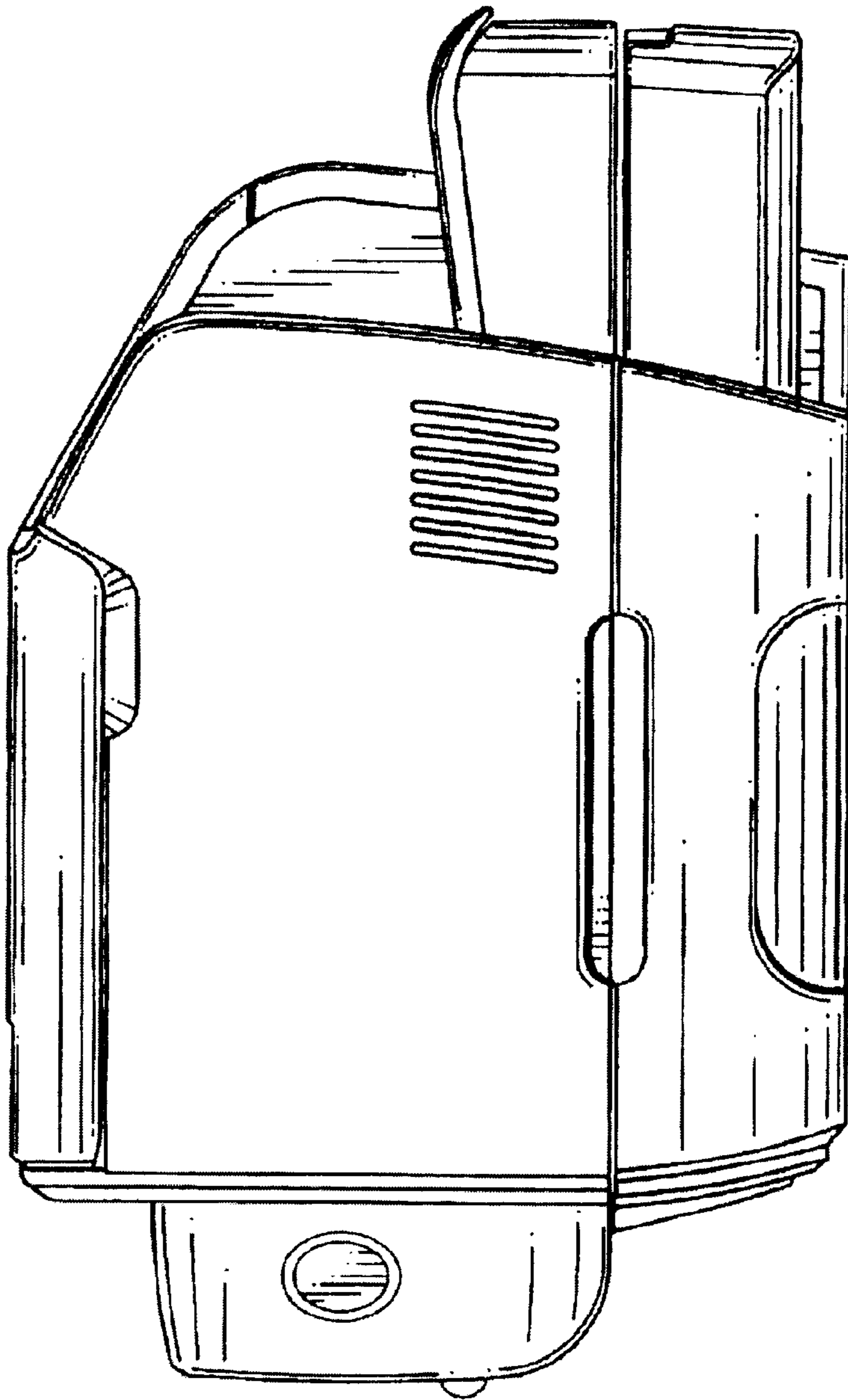


FIG. 5

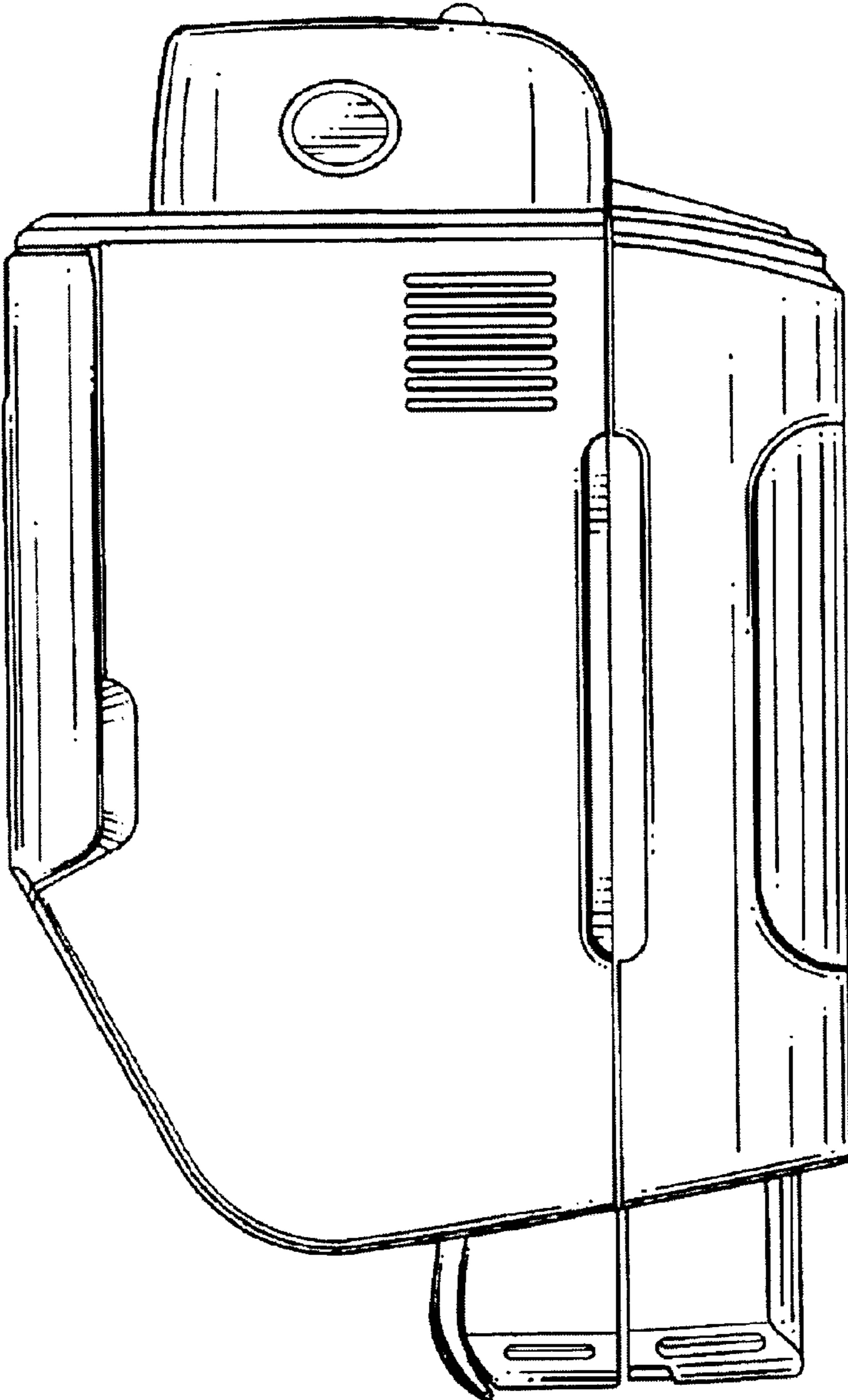


FIG. 6