



US00D522568S

(12) **United States Design Patent**
Schneider

(10) **Patent No.:** **US D522,568 S**

(45) **Date of Patent:** **** Jun. 6, 2006**

(54) **CONTROL UNIT**

(75) **Inventor:** **Cordula Schneider**, Aalen (DE)

(73) **Assignee:** **Koenig & Bauer Aktiengesellschaft**,
Wurzburg (DE)

(**) **Term:** **14 Years**

(21) **Appl. No.:** **29/204,526**

(22) **Filed:** **Apr. 30, 2004**

(30) **Foreign Application Priority Data**

Nov. 12, 2003 (EM) 000099882

(51) **LOC (8) Cl.** **18-02**

(52) **U.S. Cl.** **D18/50**

(58) **Field of Classification Search** D14/302,
D14/305; D15/199, 145; D18/50, 51, 53,
D18/55, 99; 101/2, 5, 47, 49, 52, 53, 71;
235/375; 346/9-11, 112; 705/401, 407, 408;
493/86; 156/515; D21/371

See application file for complete search history.

(56) **References Cited**

U.S. PATENT DOCUMENTS

D193,932 S * 10/1962 Tankard D18/53
D212,757 S * 11/1968 Davis et al. D14/305
D214,404 S * 6/1969 Edwards D18/53
D266,513 S * 10/1982 Richelet et al. D14/305

D313,051 S * 12/1990 Haker D21/371
4,979,605 A * 12/1990 Svyatsky 101/47
D336,896 S * 6/1993 Carter D14/305
D357,934 S * 5/1995 Karafuji et al. D18/53
6,000,605 A * 12/1999 Muller 235/375
D418,527 S * 1/2000 Billman D15/199
D434,412 S * 11/2000 Creech et al. D14/305
D460,981 S * 7/2002 Tachibana et al. D18/53
D471,188 S * 3/2003 Dye et al. D14/305

* cited by examiner

Primary Examiner—Charles A. Rademaker

(74) *Attorney, Agent, or Firm*—Jones Tullar & Cooper PC

(57) **CLAIM**

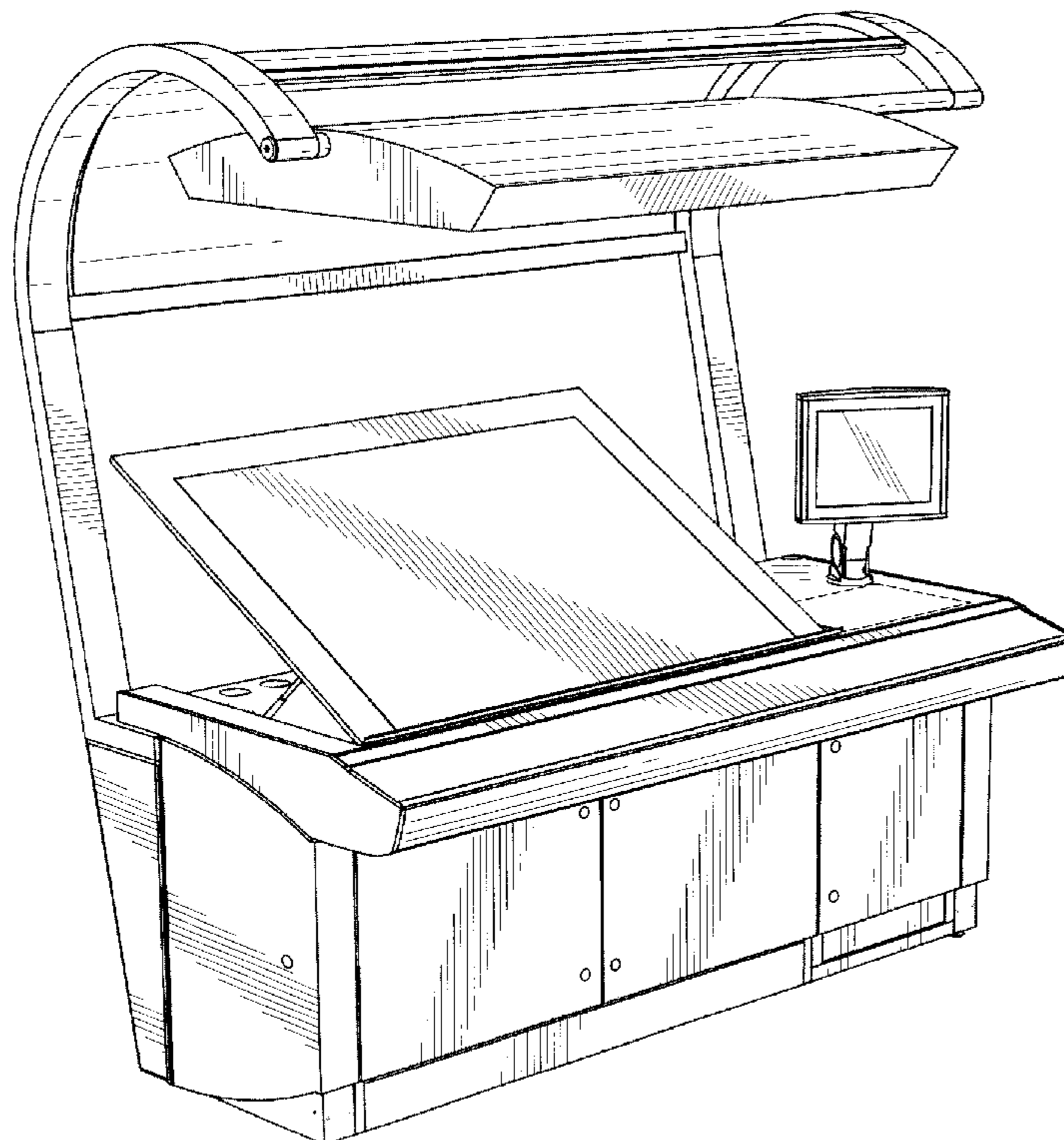
The ornamental design for a control unit, as shown and described.

DESCRIPTION

FIG. 1 is a front perspective view of a control unit showing my new design;
FIG. 2 is a rear perspective view thereof;
FIG. 3 is a front elevation thereof;
FIG. 4 is a rear elevation thereof;
FIG. 5 is a right end elevation thereof;
FIG. 6 is a left end elevation thereof; and,
FIG. 7 is a top plan view thereof.

The broken lines that define the bounds of the claimed design form no part thereof.

1 Claim, 6 Drawing Sheets



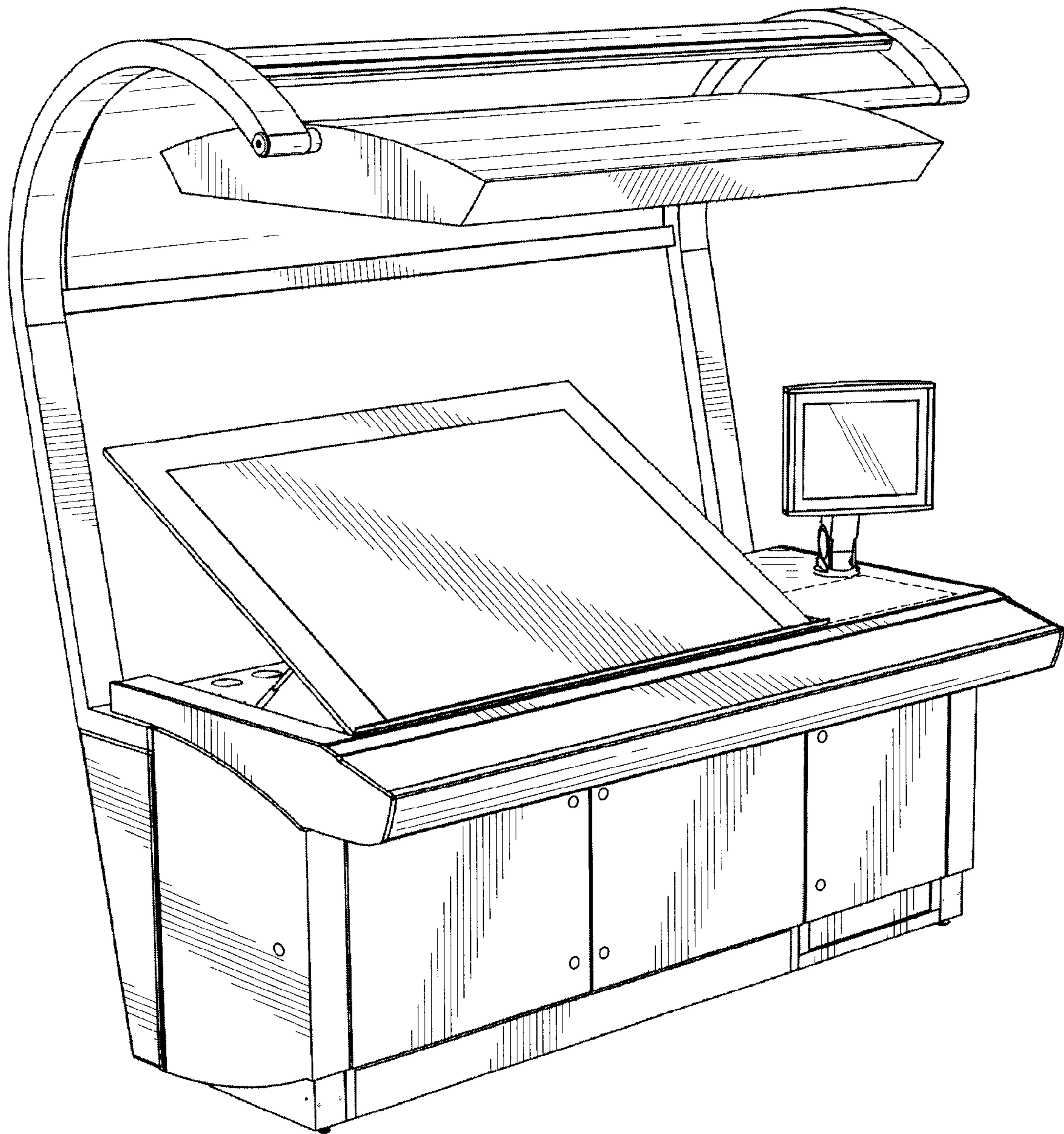


FIG. 1

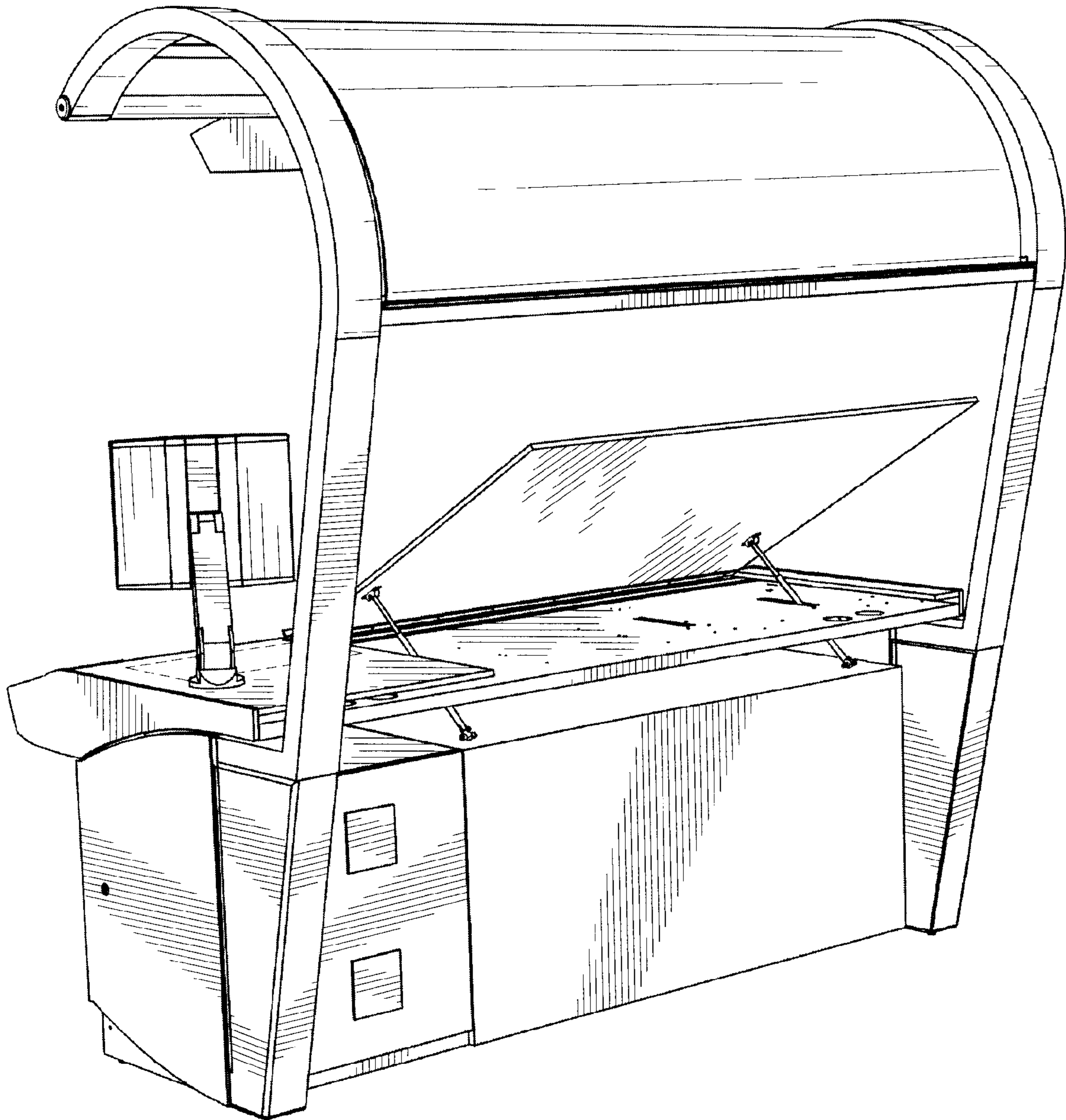


FIG. 2

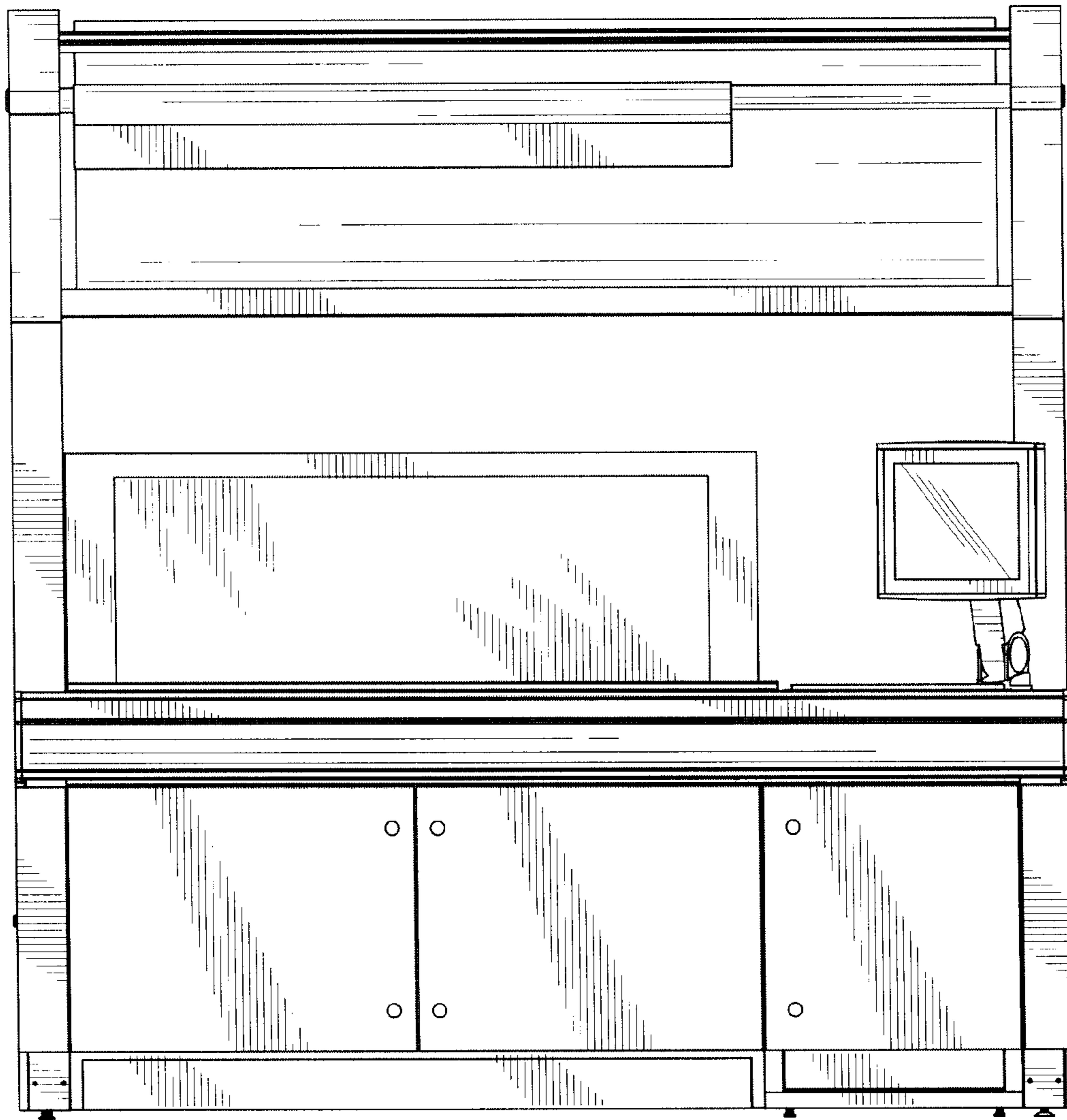


FIG. 3



FIG. 4

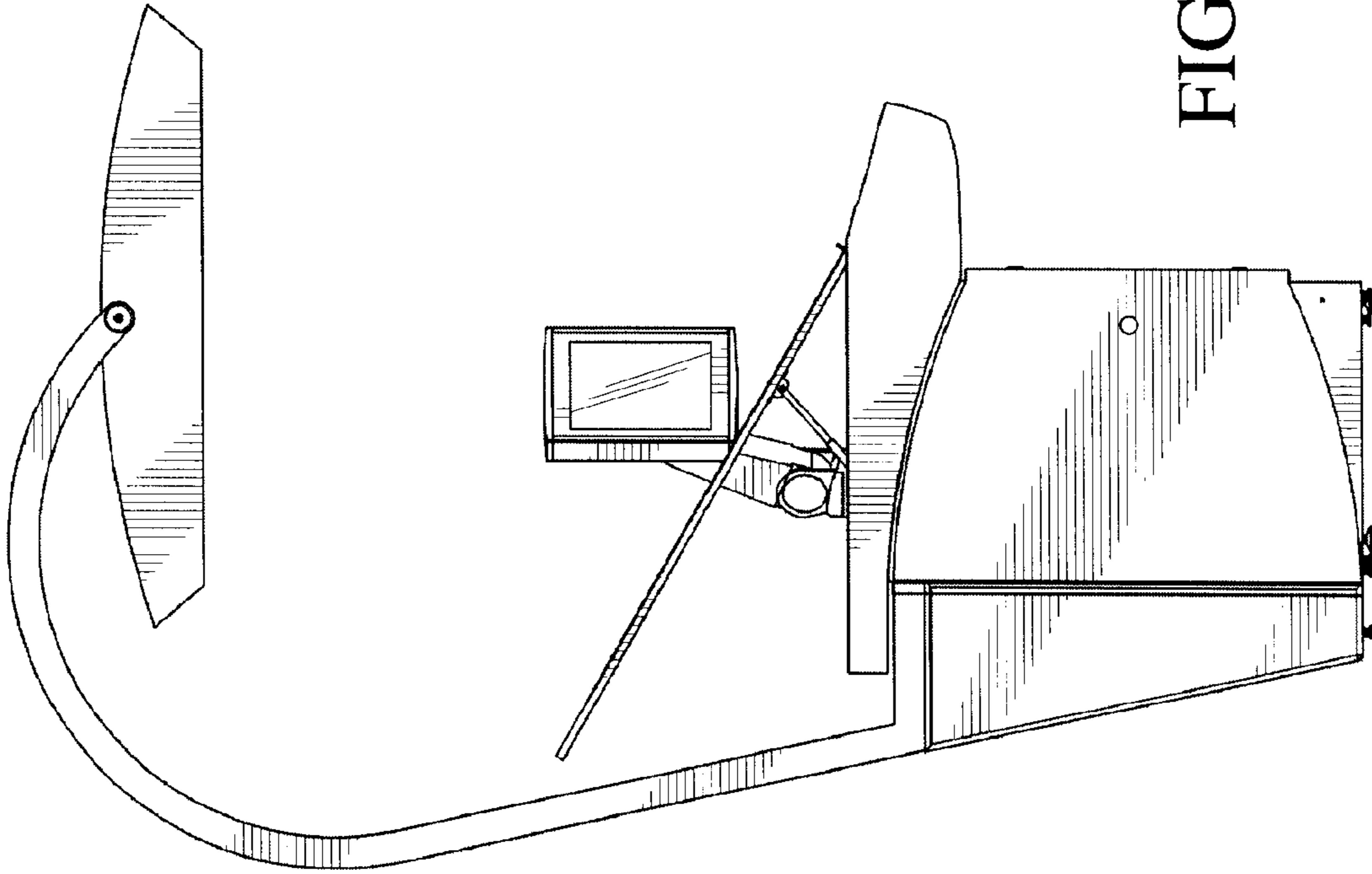


FIG. 6

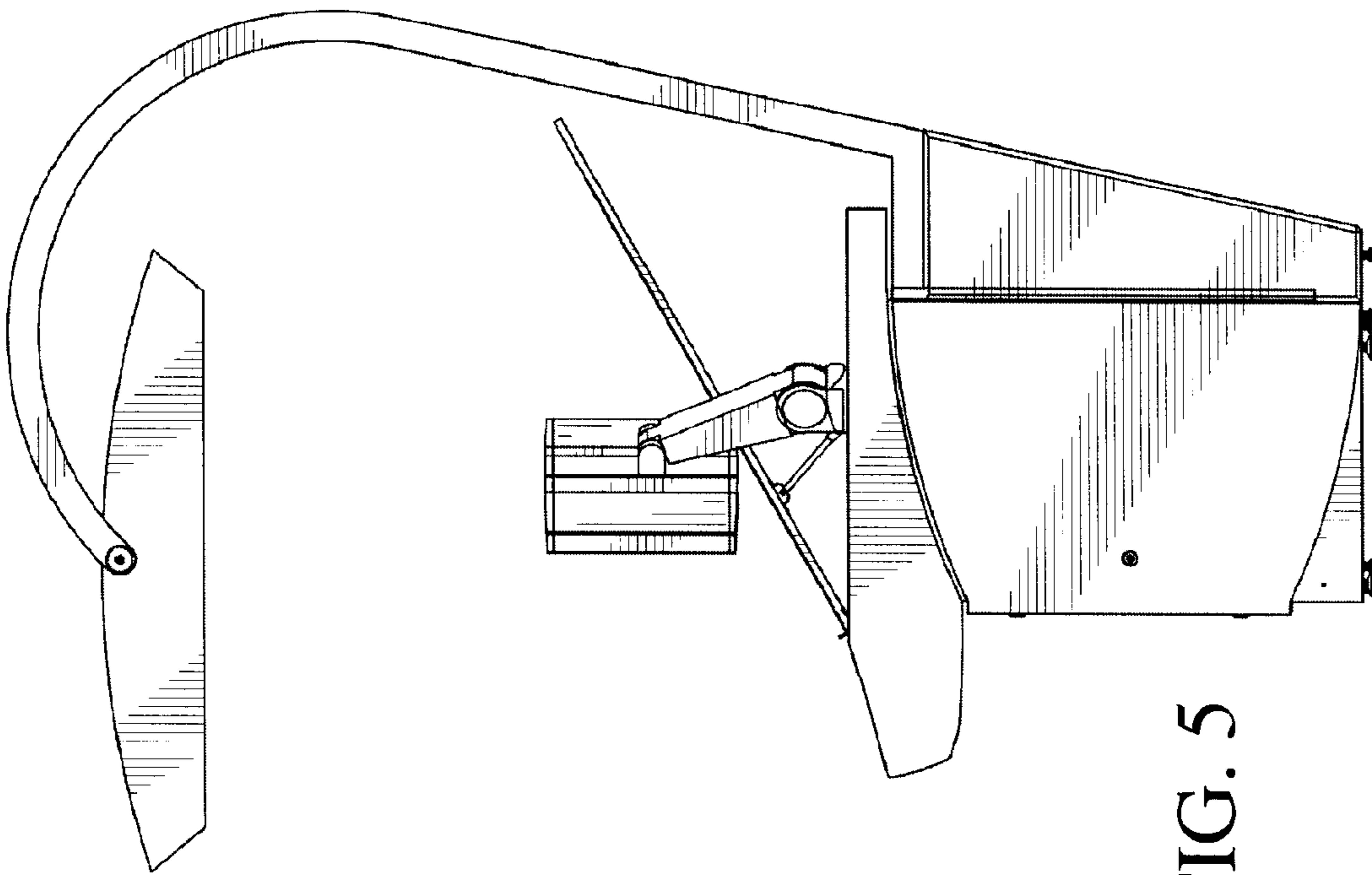


FIG. 5

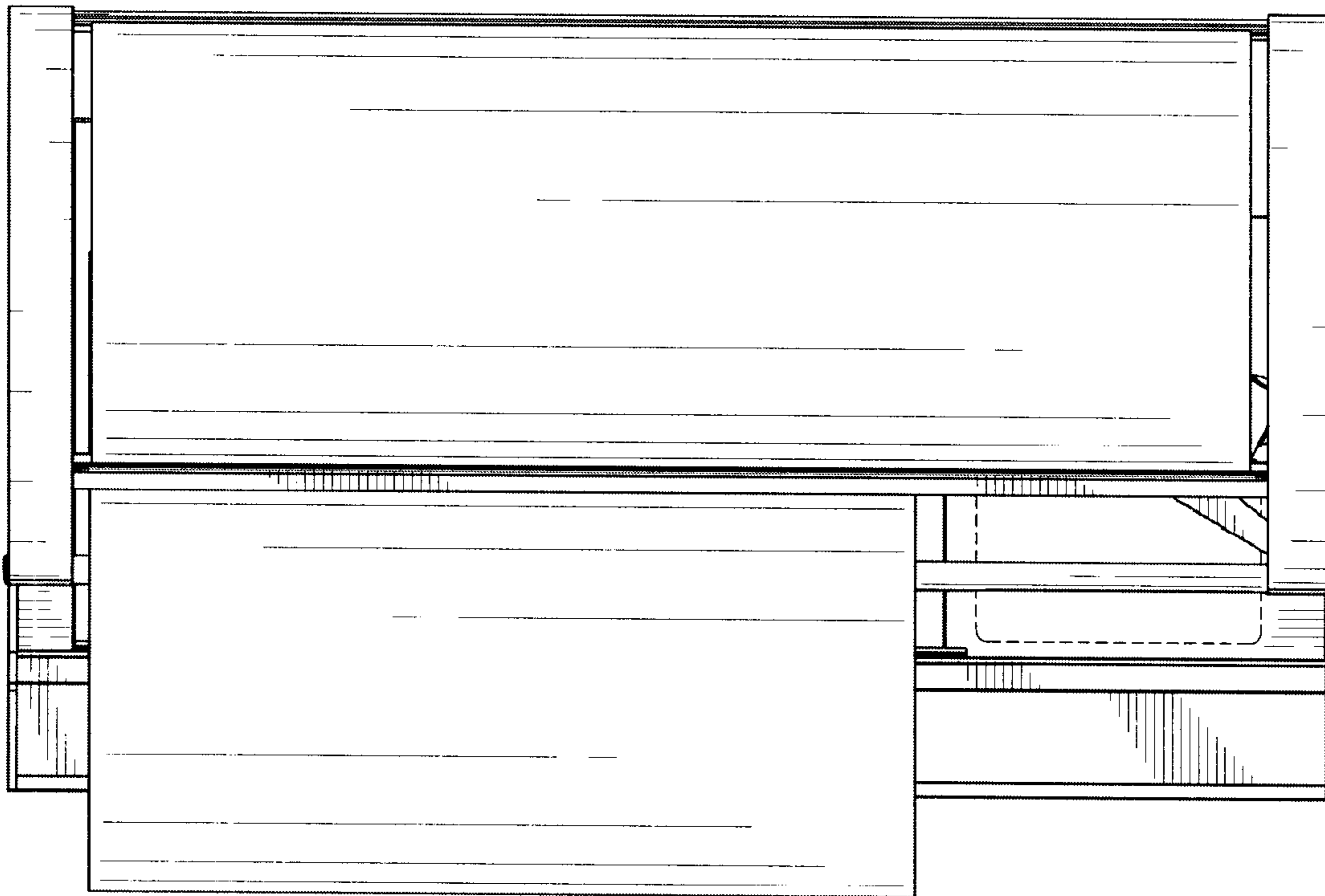


FIG. 7