

US00D522567S

(12) **United States Design Patent**
Hwang

(10) **Patent No.:** **US D522,567 S**
(45) **Date of Patent:** **** Jun. 6, 2006**

(54) **PRINTER**

D505,447 S * 5/2005 Wong et al. D18/50

(75) Inventor: **Peter G. Hwang**, Vancouver, WA (US)

FOREIGN PATENT DOCUMENTS

(73) Assignee: **Hewlett-Packard Development Company, L.P.**, Houston, TX (US)

EP	89287	9/1983
JP	362080046	4/1987
JP	363137872	6/1988
JP	403162326	7/1991
JP	406143739	5/1994
JP	406344631	12/1994
JP	407237337	9/1995
JP	2001353927	12/2001
JP	2002019229	1/2002

(**) Term: **14 Years**

(21) Appl. No.: **29/198,247**

(22) Filed: **Jan. 27, 2004**

(51) **LOC (8) Cl.** **18-02**

* cited by examiner

(52) **U.S. Cl.** **D18/50**

Primary Examiner—Louis S. Zarfes
Assistant Examiner—Anhdao Doan

(58) **Field of Classification Search** D18/19,
D18/36-41, 50, 53, 54, 54.1, 55; D14/420-425,
D14/462-470; 400/613, 613.1-613.4, 690.1-690.4
See application file for complete search history.

(57) **CLAIM**

I claim the ornamental design for a printer, as shown and described.

(56) **References Cited**

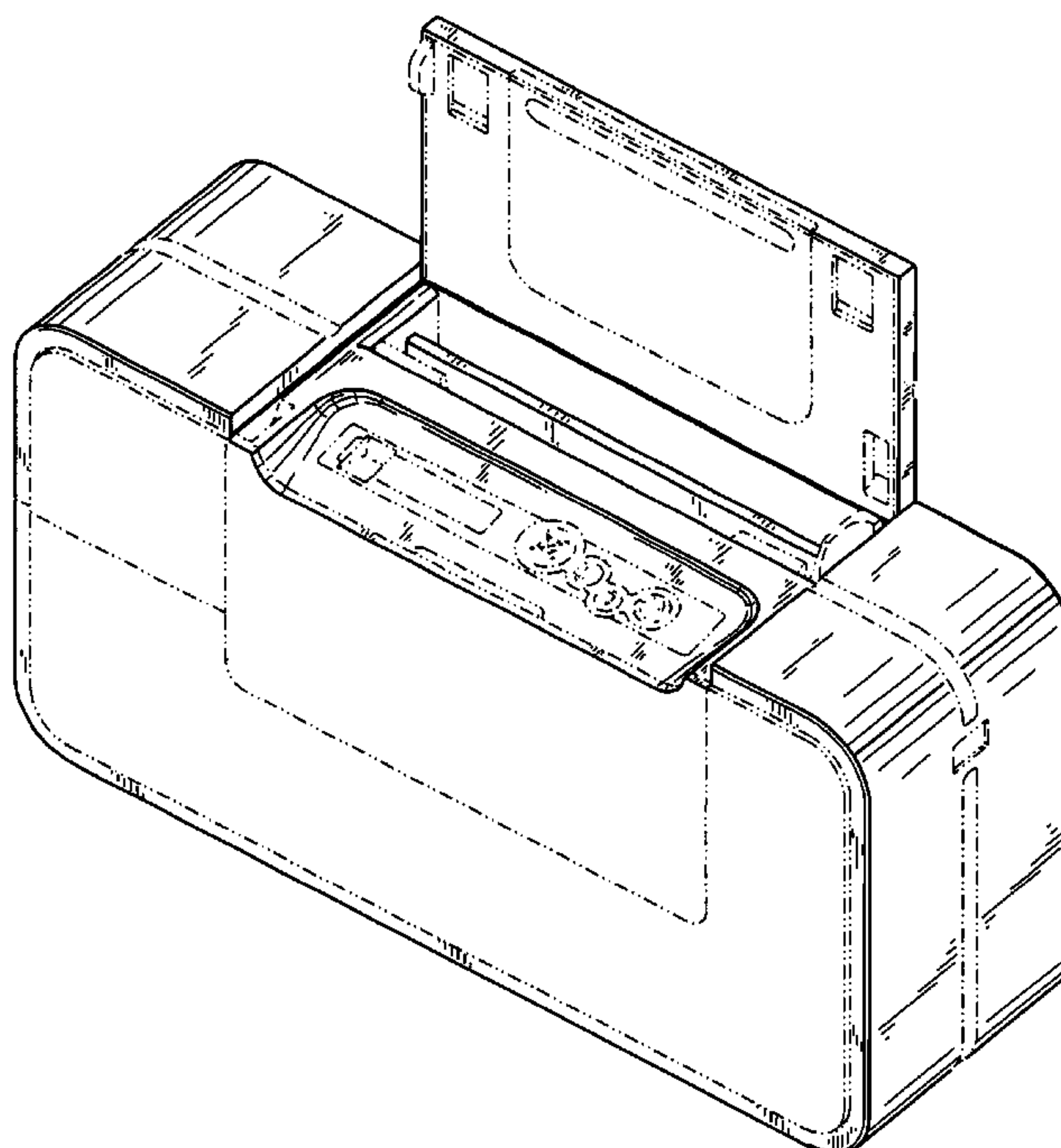
DESCRIPTION

U.S. PATENT DOCUMENTS

5,106,220	A	4/1992	Ricca et al.	
5,312,196	A	5/1994	Hock et al.	
D352,055	S	11/1994	Girard	
5,387,043	A	2/1995	Fujioka et al.	
D360,428	S	* 7/1995	Hayashihara	D18/50
D361,781	S	* 8/1995	Tsuchida et al.	D18/55
D363,924	S	* 11/1995	Ueda et al.	D14/422
D370,026	S	5/1996	Mcglashan	
D425,547	S	* 5/2000	Ishiura	D18/19
D440,246	S	* 4/2001	Yin	D18/50
6,474,884	B1	11/2002	Chiu	
6,496,670	B1	12/2002	Ishikita et al.	
D470,164	S	* 2/2003	Obata	D16/237
6,572,290	B1	* 6/2003	McCleave et al.	400/621
D491,218	S	* 6/2004	Masamitsu et al.	D18/50
D501,503	S	* 2/2005	Leong et al.	D18/55

FIG. 1 is a top perspective view of one embodiment of a design of a printer of the present invention; FIG. 2 is a front elevational view thereof; FIG. 3 is a top plan view thereof; FIG. 4 is a right end elevational view thereof; FIG. 5 is a left end elevational view thereof; FIG. 6 is a bottom plan view thereof; and, FIG. 7 is a rear elevational view thereof. The ornamental design which is claimed is shown in solid lines in the drawings. The broken lines in the drawings are for illustrative purposes only and form no part of the claimed design.

1 Claim, 4 Drawing Sheets



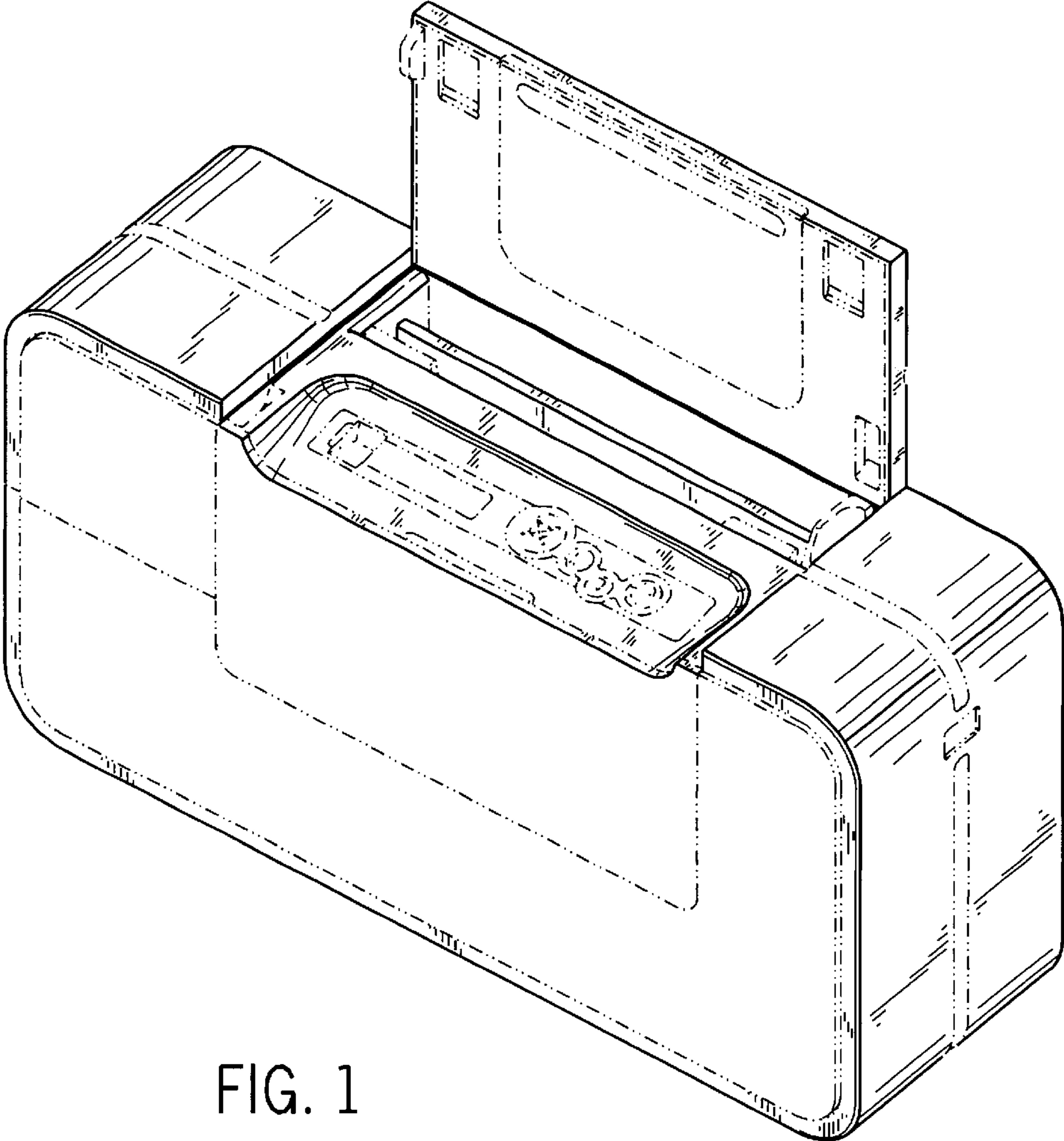


FIG. 1

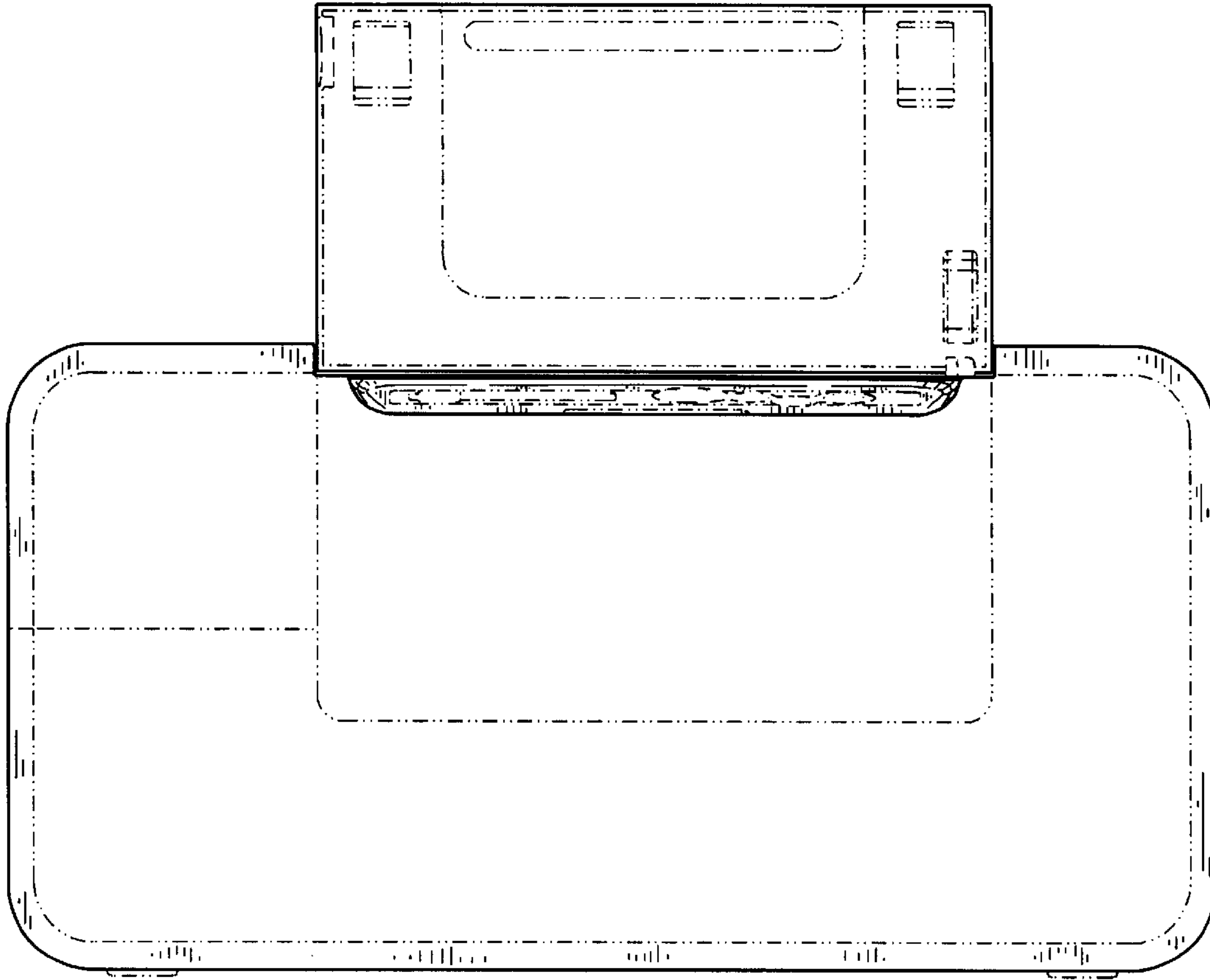


FIG. 2

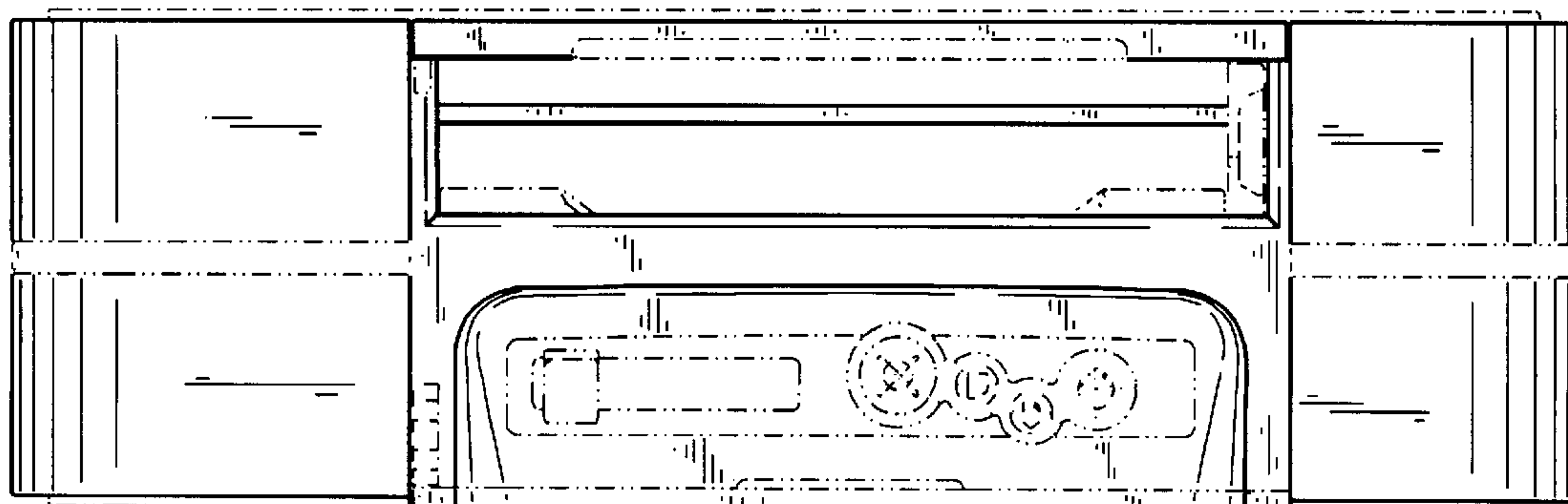


FIG. 3

FIG. 4

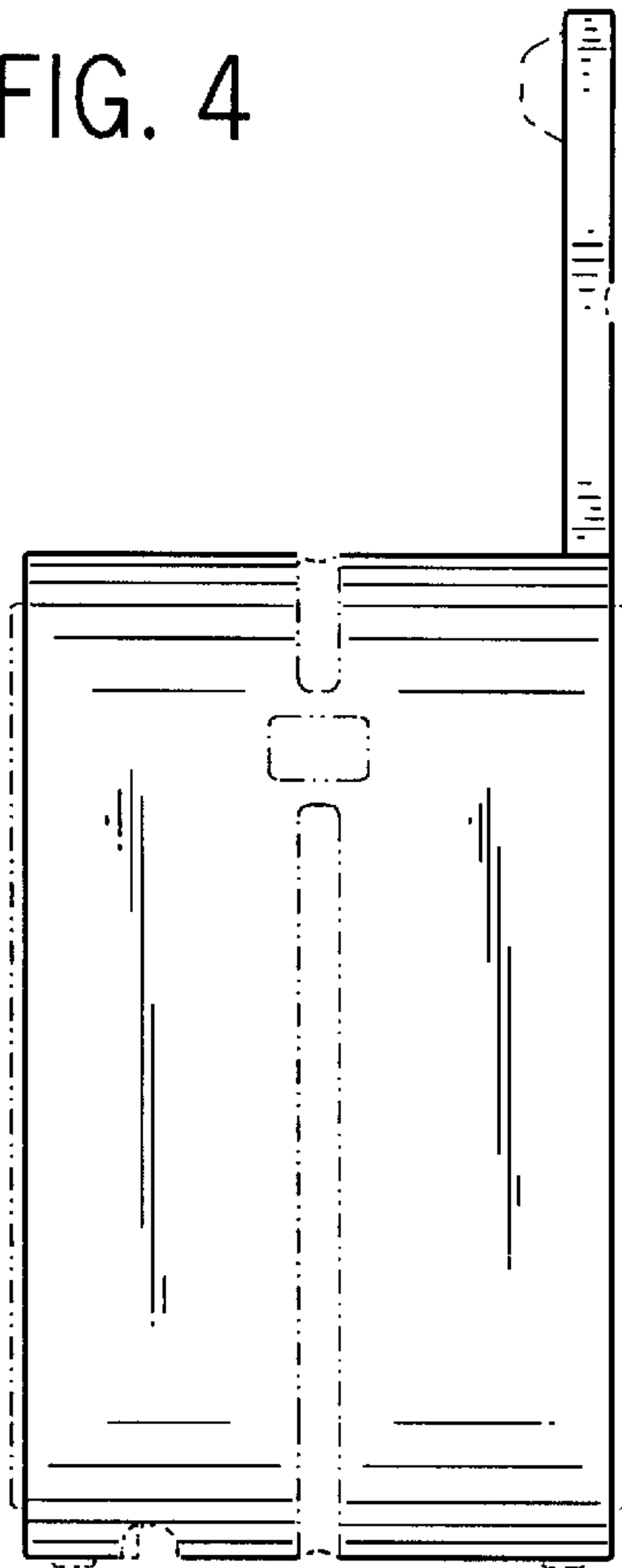


FIG. 5

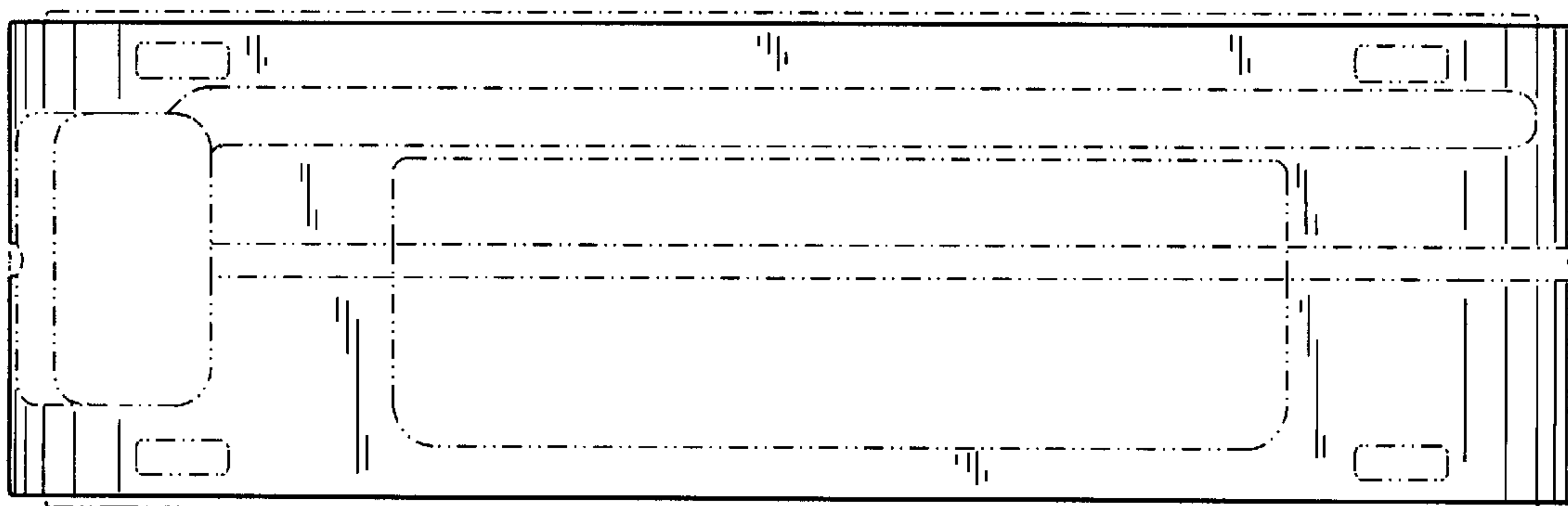
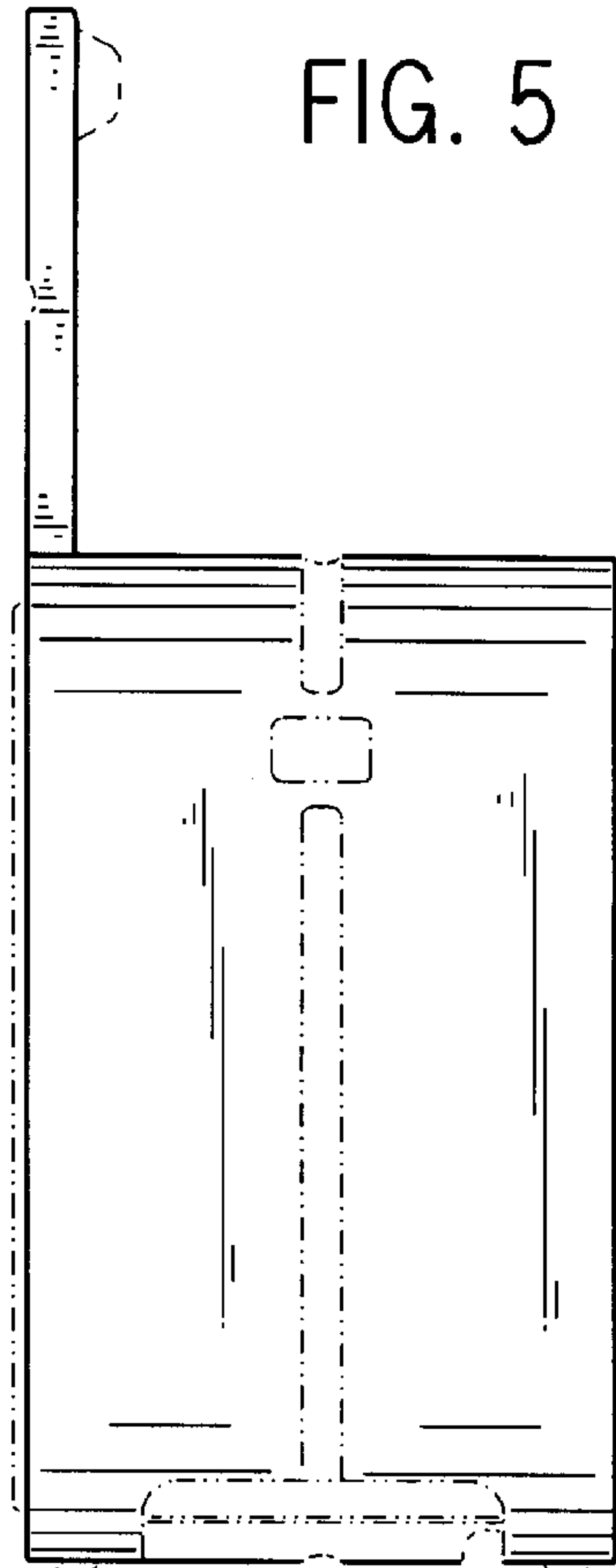


FIG. 6

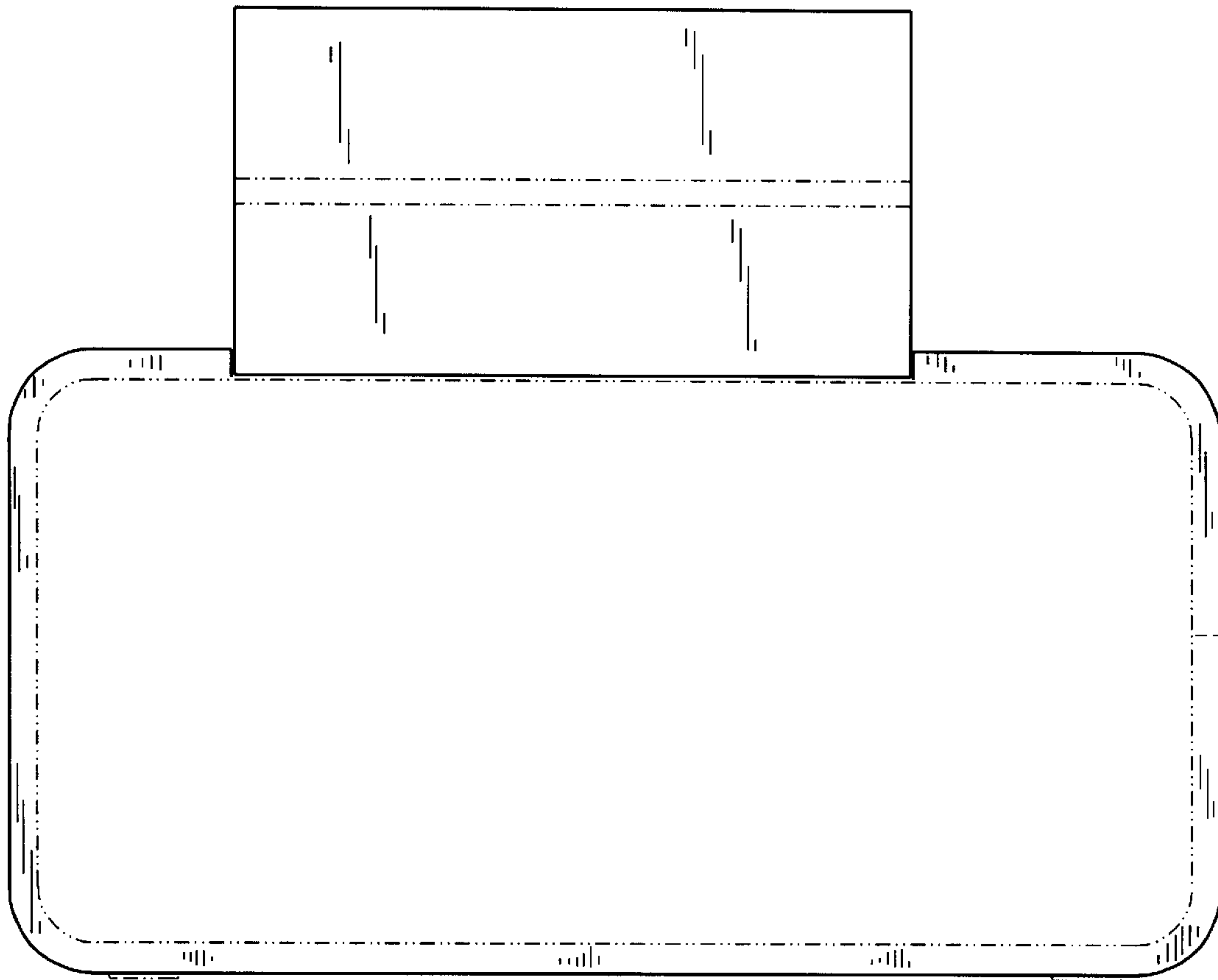


FIG. 7