



US00D522566S

(12) **United States Design Patent** (10) **Patent No.:** **US D522,566 S**  
**Stender et al.** (45) **Date of Patent:** **\*\* Jun. 6, 2006**

(54) **DESKTOP PRINTER HOUSING**

D487,479 S 3/2004 Paulson et al.

(75) Inventors: **Eric C. Stender**, Champlin, MN (US);  
**Faith J. Rekowski**, Crystal, MN (US);  
**Arthur J. Paulson**, Minneapolis, MN  
(US); **Michael A. Morrison**, Eagan,  
MN (US); **Charles A. Angell**,  
Minneapolis, MN (US); **Brian  
Clemens**, Chicago, IL (US)

FOREIGN PATENT DOCUMENTS

WO WO 03/089251 A1 10/2003

OTHER PUBLICATIONS

Datacard Group, "Desktop Card Systems SP35 Card  
Printer," <http://www.datacard.com/products/products.jhtml>,  
pp. 1-4 (2003).

Fargo® Card Personalization Systems, "Professional Series  
DTC500 Series Direct-to-Card Printer/Encoders," 6 pages  
(Date Unknown).

(73) Assignee: **DataCard Corporation**, Minnetonka,  
MN (US)

\* cited by examiner

(\*\*) Term: **14 Years**

*Primary Examiner*—Louis S. Zarfes

*Assistant Examiner*—Anhdao Doan

(21) Appl. No.: **29/194,203**

(74) *Attorney, Agent, or Firm*—Hambre, Schumann,  
Mueller & Larson, P.C.

(22) Filed: **Nov. 18, 2003**

(51) **LOC (8) Cl.** ..... **18-02**

(52) **U.S. Cl.** ..... **D18/50**

(58) **Field of Classification Search** ..... D18/50,  
D18/53, 54, 54.1, 55, 19, 36-41; D14/420-425,  
D14/462-470, 349; 400/613, 613.1-613.4,  
400/691-694, 690.1-690.4

(57) **CLAIM**

The ornamental design for a desktop printer housing, as  
shown and described.

See application file for complete search history.

**DESCRIPTION**

FIG. 1 is a perspective view of a desktop printer housing  
according to our new design;

FIG. 2 is a front elevation view thereof;

FIG. 3 is a rear elevation view thereof;

FIG. 4 is a right side elevation view thereof;

FIG. 5 is a left side elevation view thereof;

FIG. 6 is a top plan view of thereof; and,

FIG. 7 is a bottom plan view thereof.

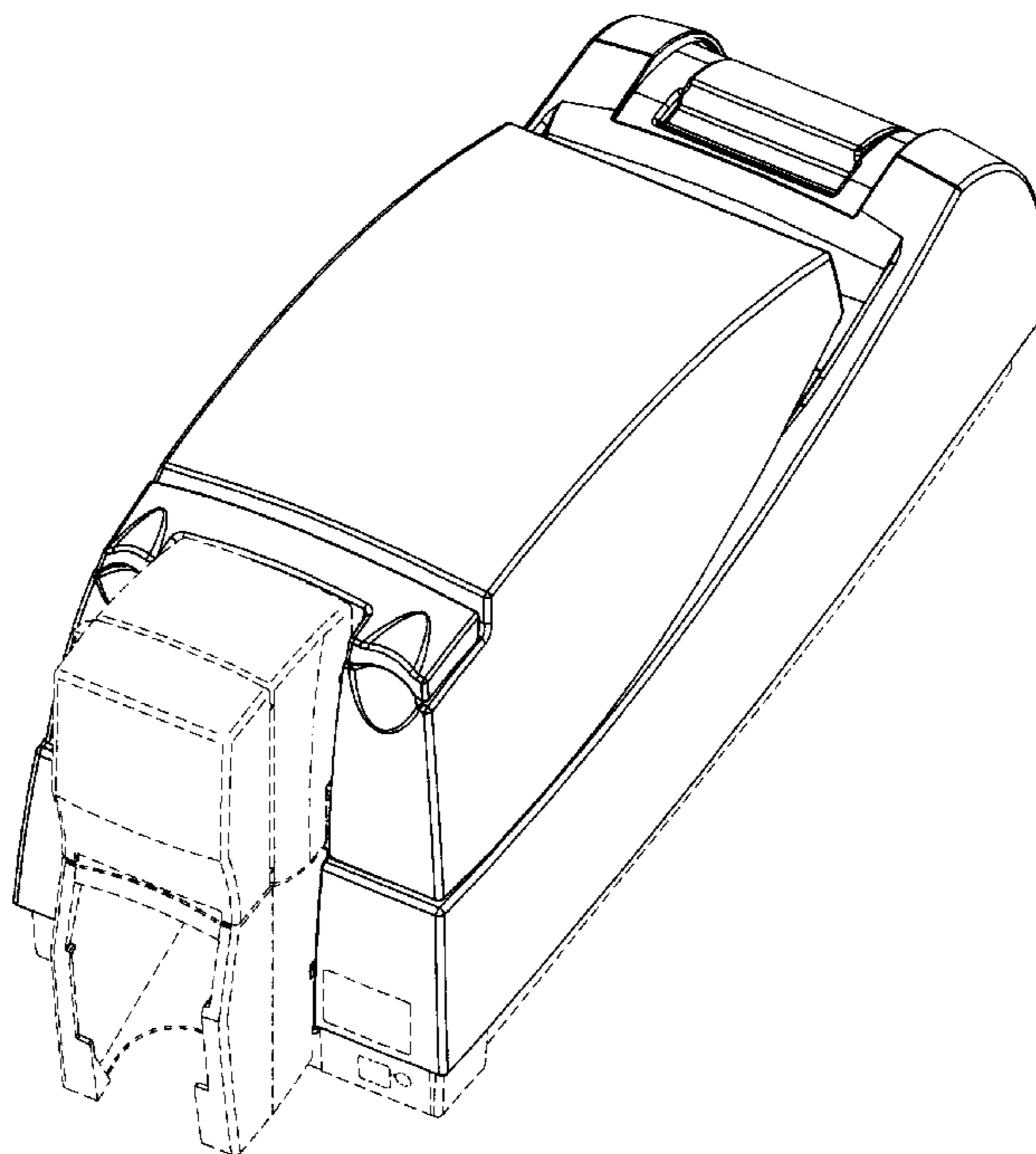
The broken lines in the drawings are for illustrative purposes  
only and form no part of the claimed design.

(56) **References Cited**

U.S. PATENT DOCUMENTS

D277,579 S \* 2/1985 Noonan ..... D14/425  
D362,673 S \* 9/1995 Yamamoto ..... D18/19  
D374,452 S \* 10/1996 Sato ..... D18/50  
D391,286 S \* 2/1998 Mizusugi ..... D18/55  
D443,890 S \* 6/2001 Sato et al. .... D18/50  
D449,852 S \* 10/2001 Sugimoto ..... D18/50  
6,315,283 B1 11/2001 Haas et al.  
D453,933 S \* 2/2002 Mulcahy et al. .... D14/420

**1 Claim, 7 Drawing Sheets**



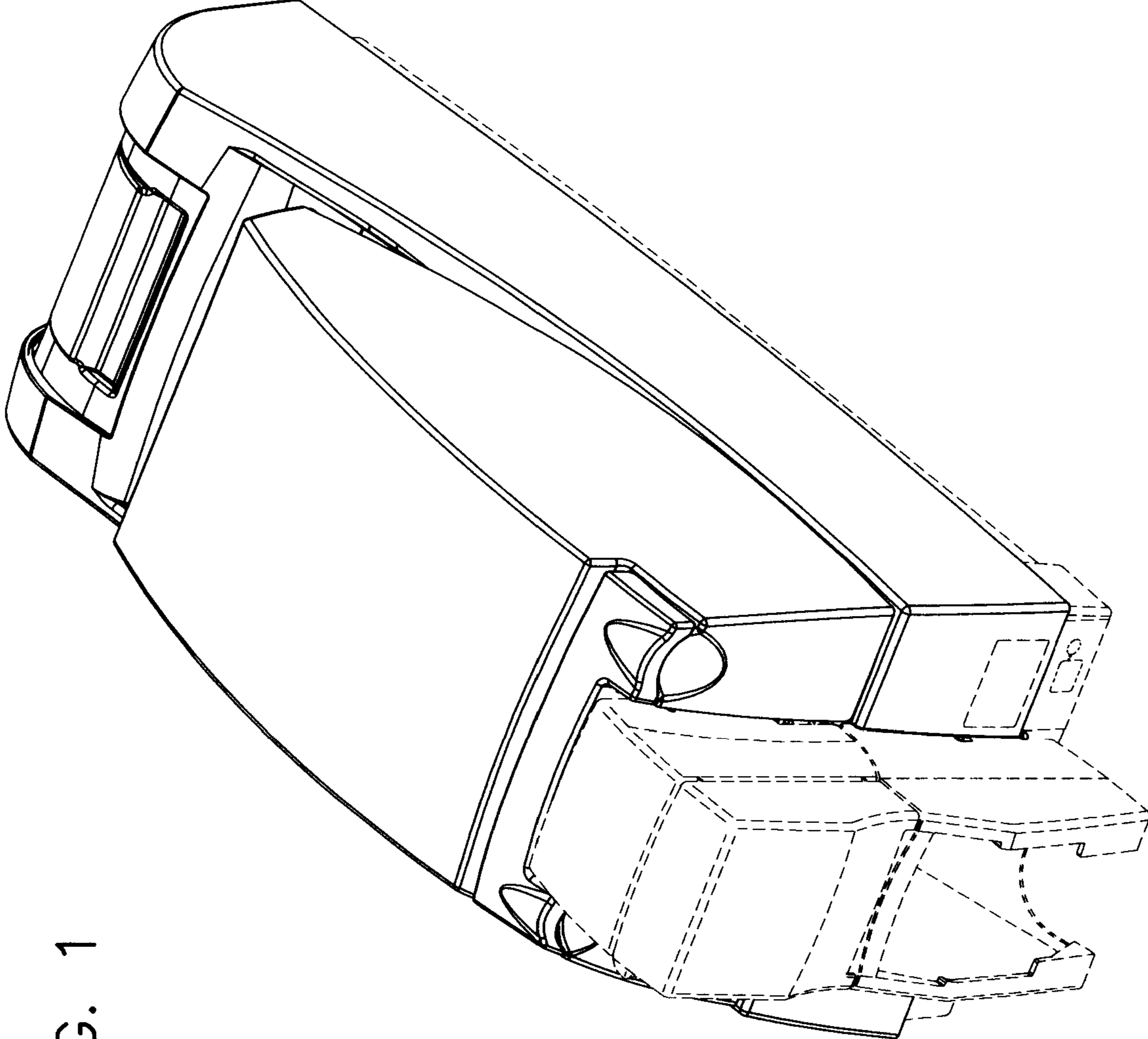


FIG. 1

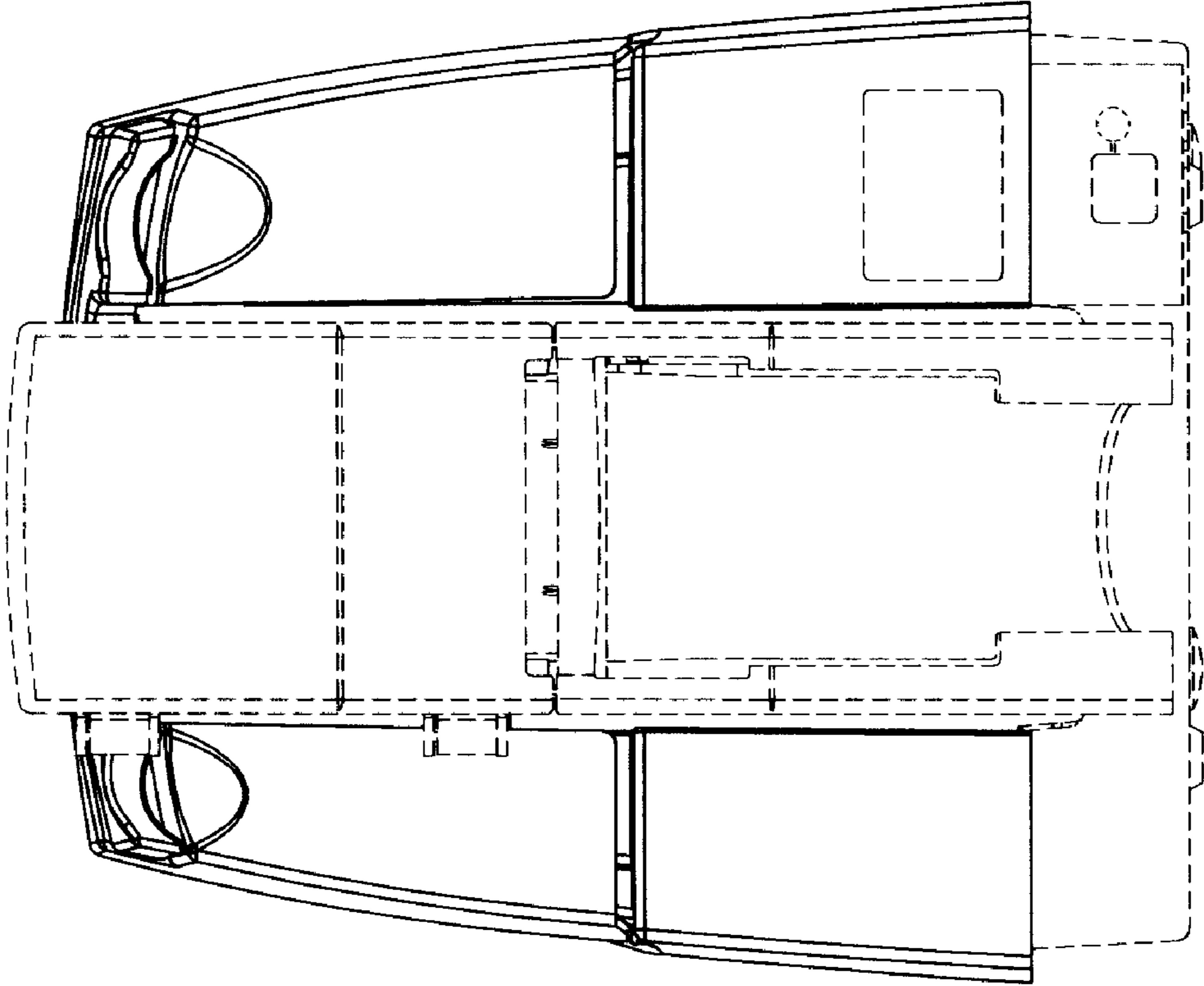


FIG. 2

FIG. 3

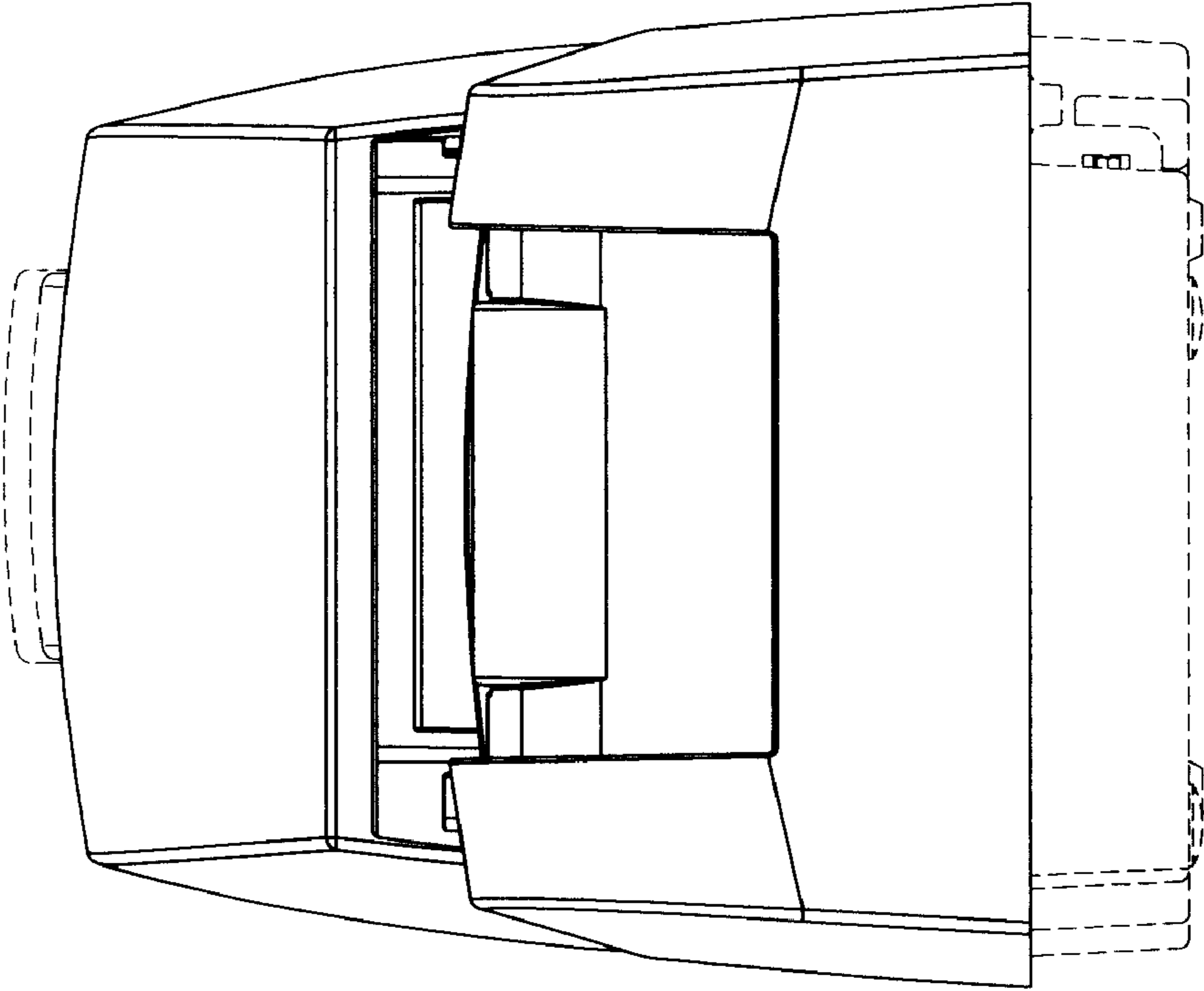
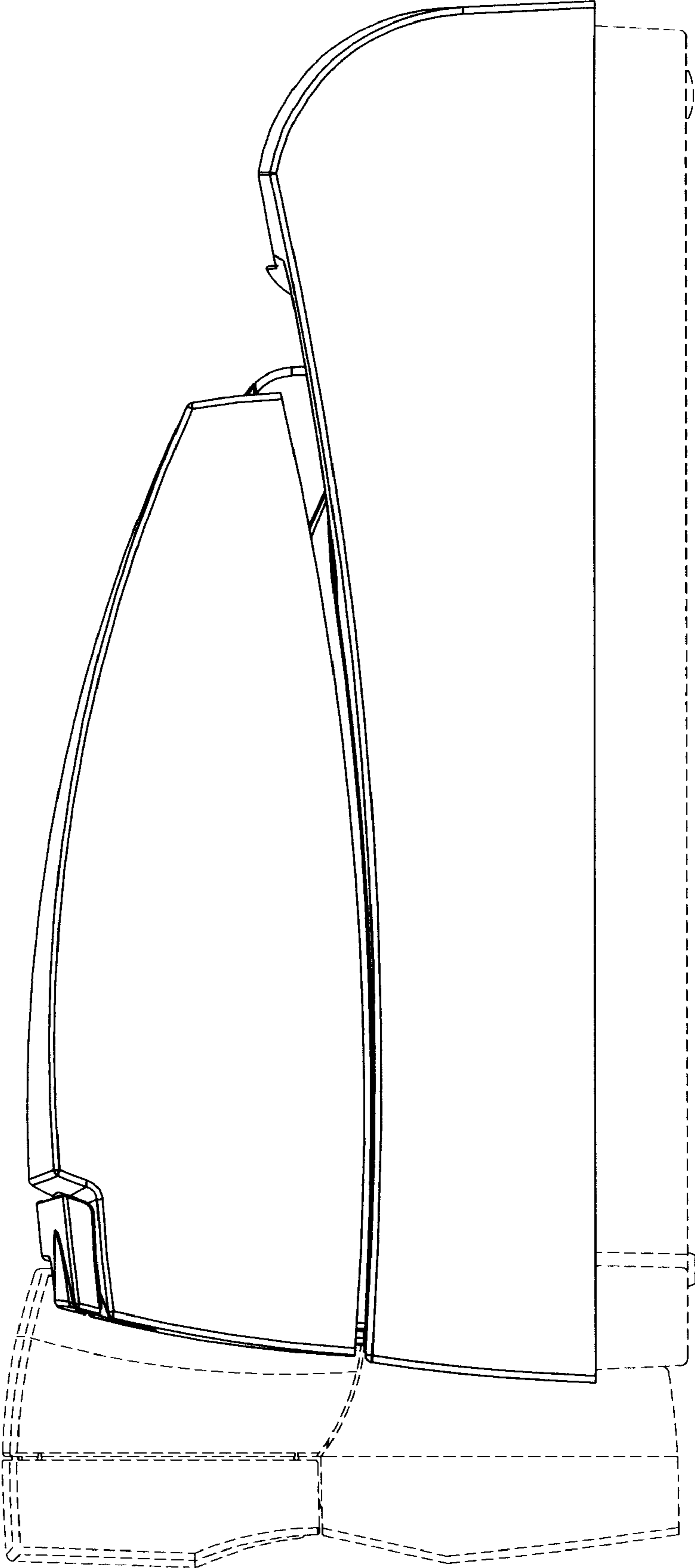


FIG. 4



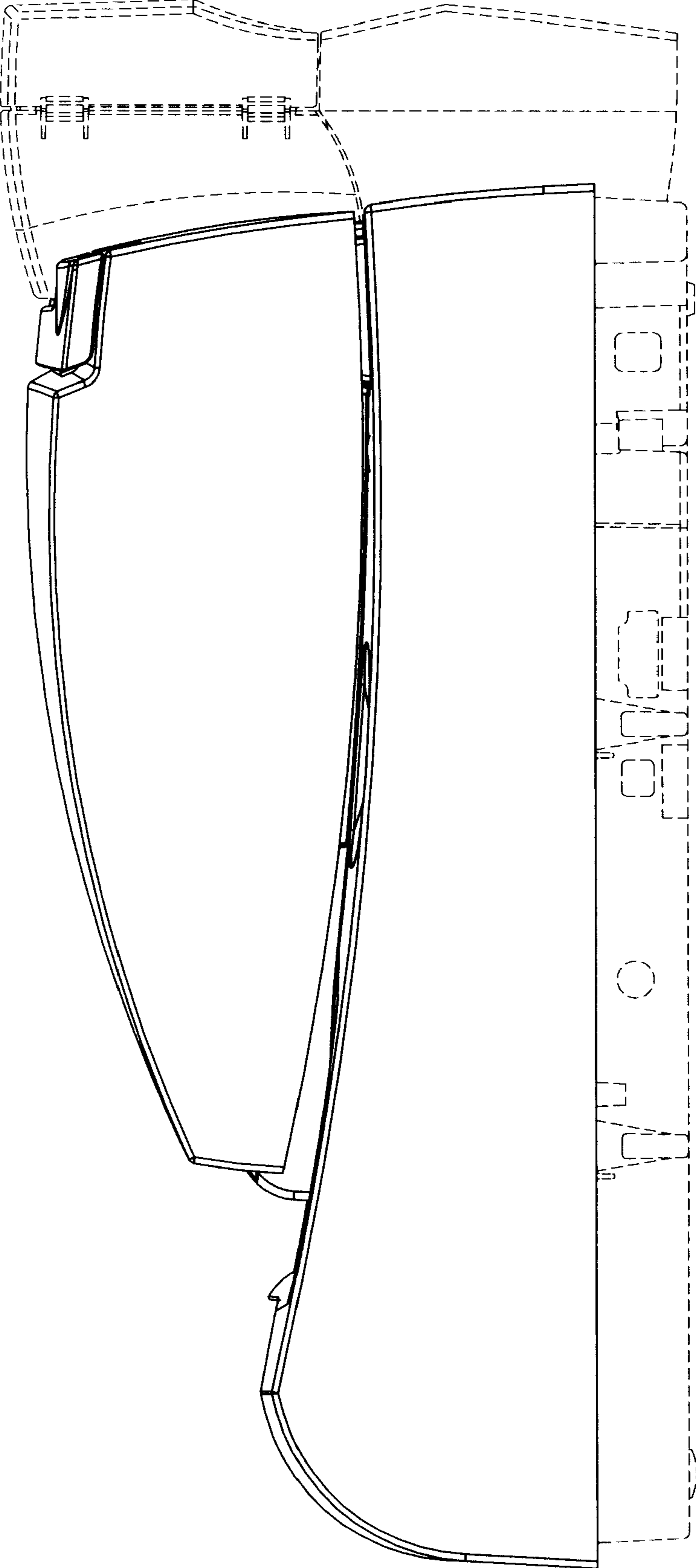


FIG. 5

FIG. 6

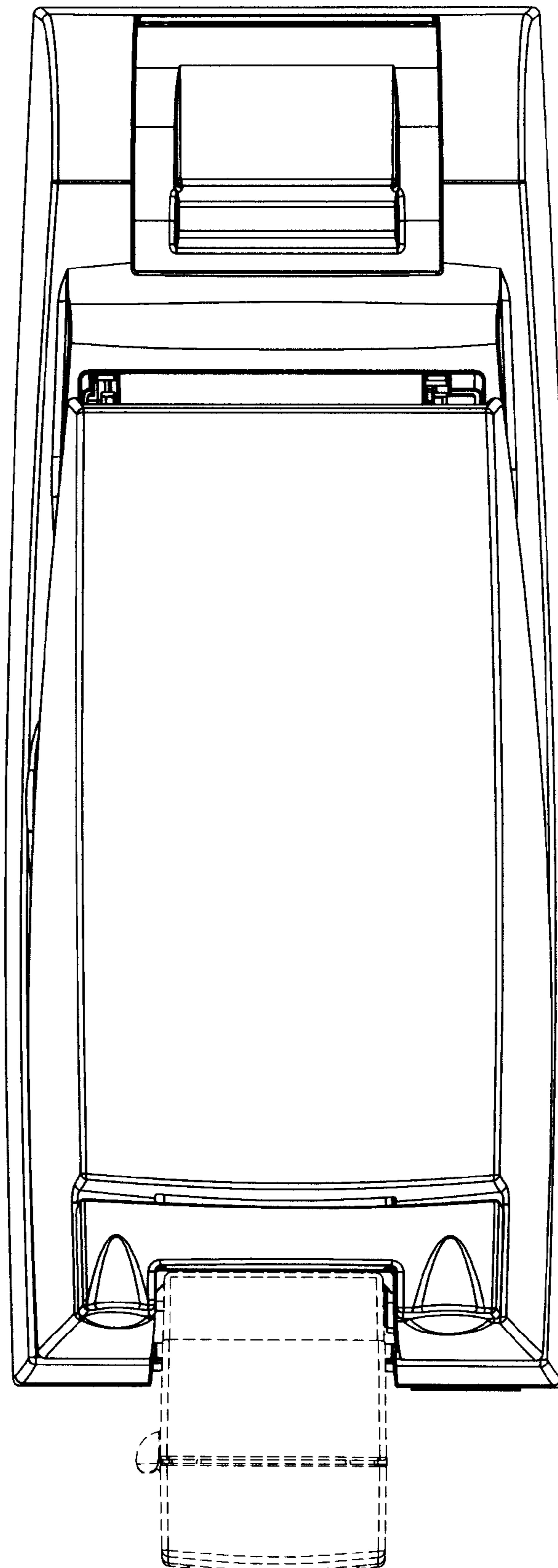


FIG. 7

