



US00D522565S

(12) **United States Design Patent**
Sanada et al.

(10) **Patent No.:** **US D522,565 S**
(45) **Date of Patent:** **** Jun. 6, 2006**

(54) **TONER CARTRIDGE**

(75) Inventors: **Yoshiaki Sanada**, Nara-ken (JP);
Masatoshi Kaneshige, Nara-ken (JP);
Kohichi Mihara, Osaka-fu (JP);
Hisashi Kunihiro, Nara-ken (JP);
Haruko Yoneda, Nara-ken (JP)

(73) Assignee: **Sharp Kabushiki Kaisha**, Osaka (JP)

(**) Term: **14 Years**

(21) Appl. No.: **29/226,280**

(22) Filed: **Mar. 28, 2005**

(30) **Foreign Application Priority Data**
Sep. 28, 2004 (JP) 2004-029247

(51) **LOC (8) Cl.** **16-03**

(52) **U.S. Cl.** **D18/43**

(58) **Field of Classification Search** D18/36,
D18/40, 43, 56; 222/DIG. 1; 399/24, 25,
399/27, 28, 31, 33, 110-112, 119-126, 222-224,
399/252-262
See application file for complete search history.

(56) **References Cited**
U.S. PATENT DOCUMENTS

D356,107 S 3/1995 Watanabe et al.
D364,418 S 11/1995 Hagiwara et al.
D368,112 S * 3/1996 Komaki D18/43
D375,519 S 11/1996 Tsumuki
D379,194 S 5/1997 Sundquist et al.
D394,083 S 5/1998 Jyoroku
D398,633 S 9/1998 Hashizume et al.

D408,444 S * 4/1999 Maeda D18/40
D409,652 S 5/1999 Aimoto
D442,214 S * 5/2001 Hayashi D18/43
D448,042 S 9/2001 Hale et al.
D451,125 S * 11/2001 Sugiyama et al. D18/40
D451,127 S 11/2001 Katou et al.
6,418,290 B1 * 7/2002 Isomura et al. 399/254
D462,712 S 9/2002 Katou et al.
D463,817 S * 10/2002 Kunihiro et al. D18/40
D464,079 S 10/2002 Funayama et al.
D464,369 S * 10/2002 Kunihiro et al. D18/43
D478,614 S * 8/2003 Numagami et al. D18/40
6,608,980 B1 * 8/2003 Murayama et al. 399/111
D489,400 S * 5/2004 Nagashiro D18/43
6,912,365 B1 * 6/2005 Ueno et al. 399/25
D510,594 S * 10/2005 Hirashima D18/56
2001/0021320 A1 * 9/2001 Murayama et al. 399/111

* cited by examiner

Primary Examiner—Caron D. Veynar
Assistant Examiner—Garth Rademaker
(74) *Attorney, Agent, or Firm*—Nixon & Vanderhye P.C.

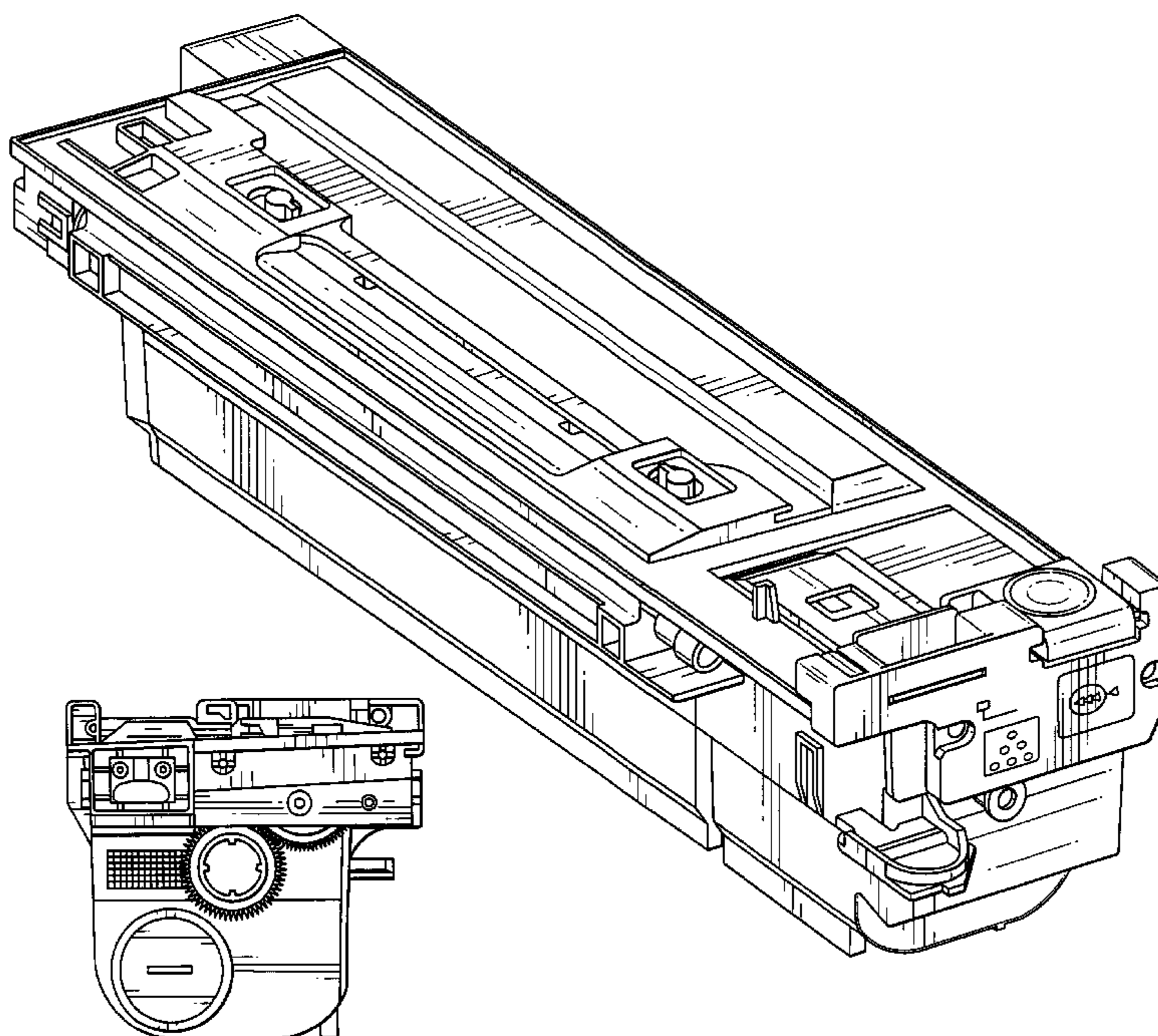
(57) **CLAIM**

The ornamental design for a toner cartridge, as shown.

DESCRIPTION

FIG. 1 is a top, front and right side perspective view of a toner cartridge according to our design; FIG. 2 is a front elevational view thereof; FIG. 3 is a rear elevational view thereof; FIG. 4 is a top plan view thereof; FIG. 5 is a bottom plan view thereof; FIG. 6 is right side elevational view thereof; and, FIG. 7 is a left side elevational view thereof.

1 Claim, 6 Drawing Sheets



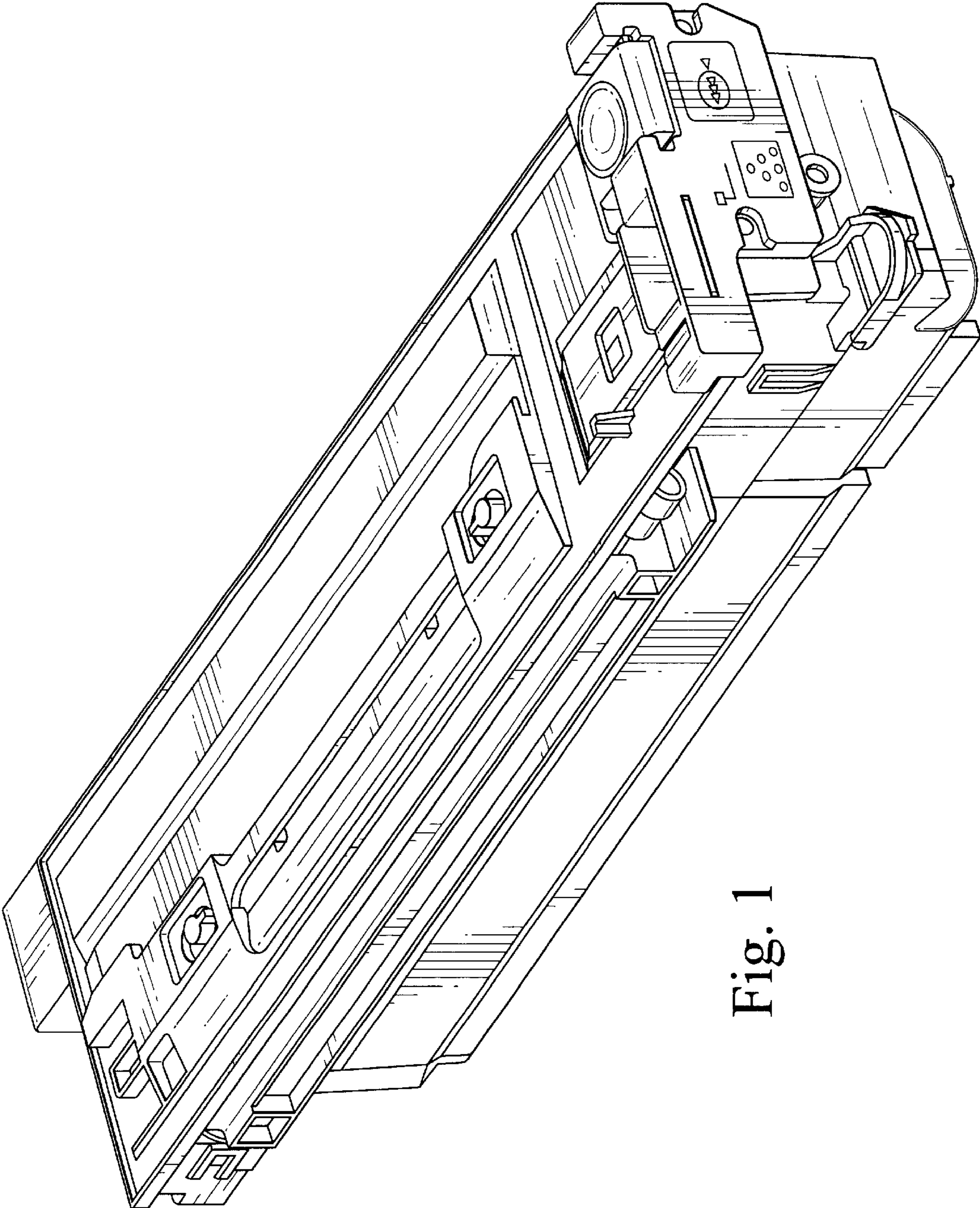


Fig. 1

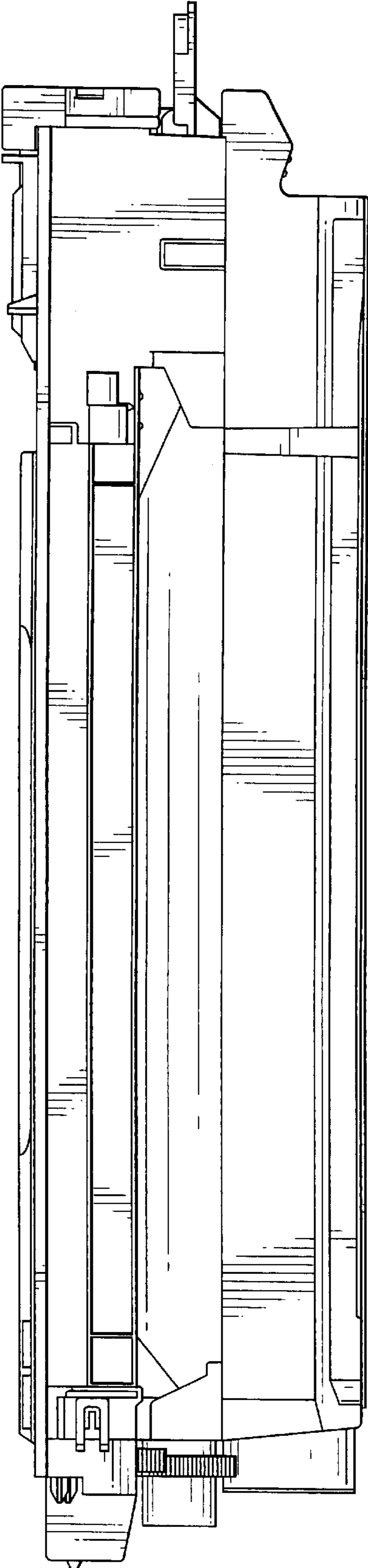


Fig. 2

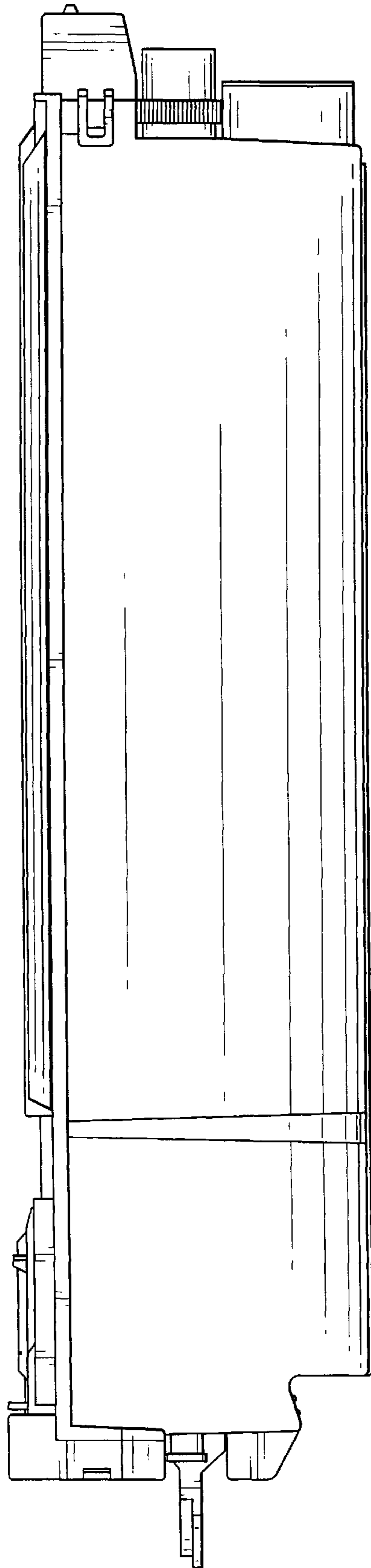


Fig. 3

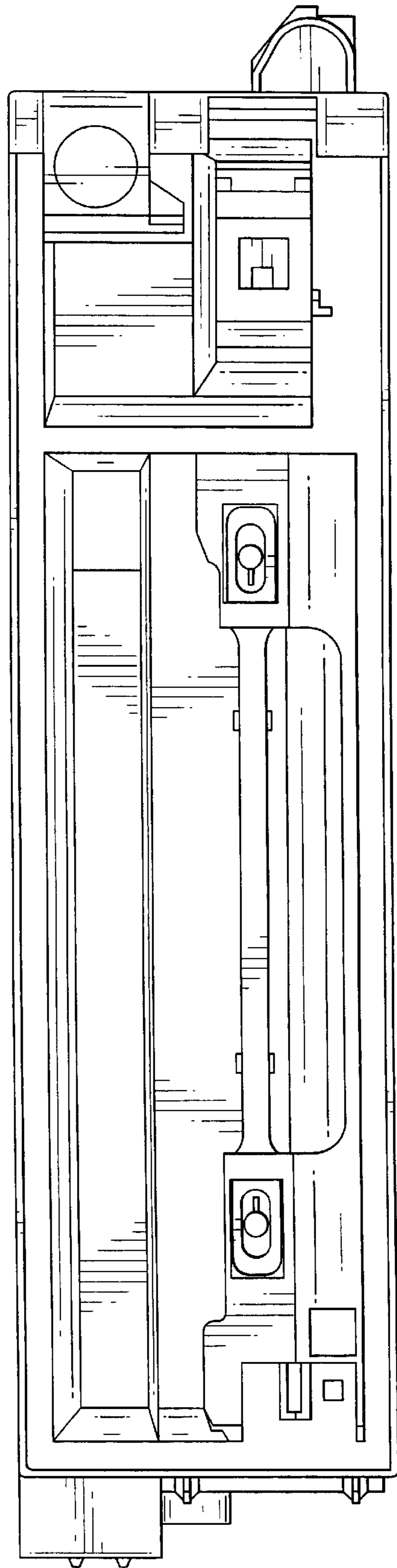


Fig. 4

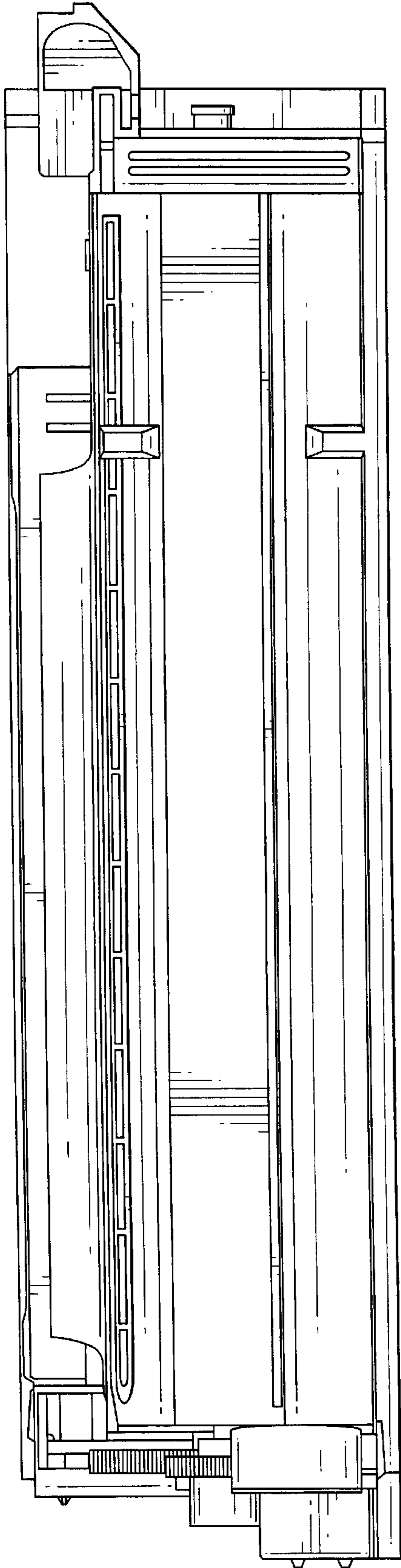


Fig. 5

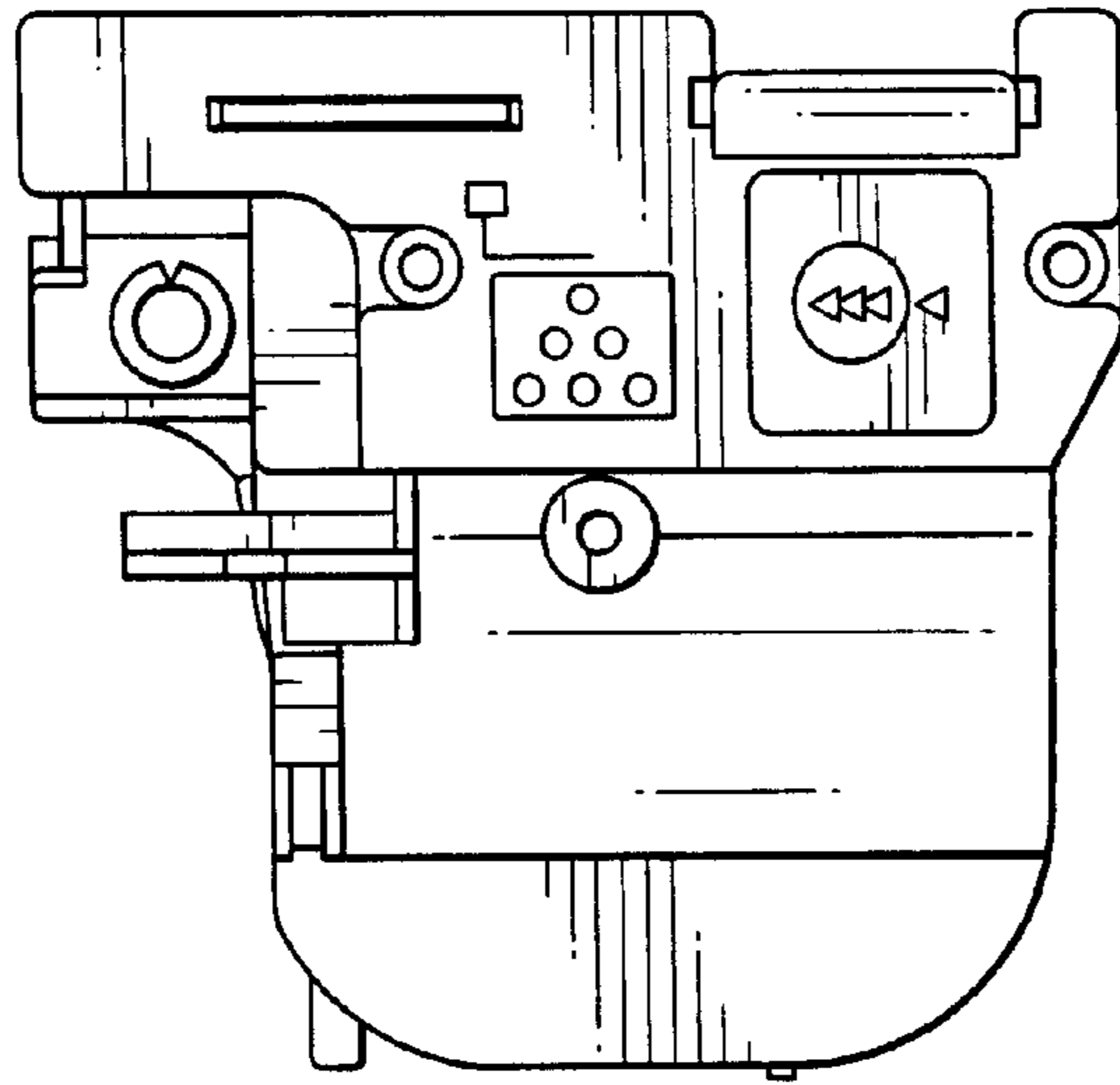


Fig. 6

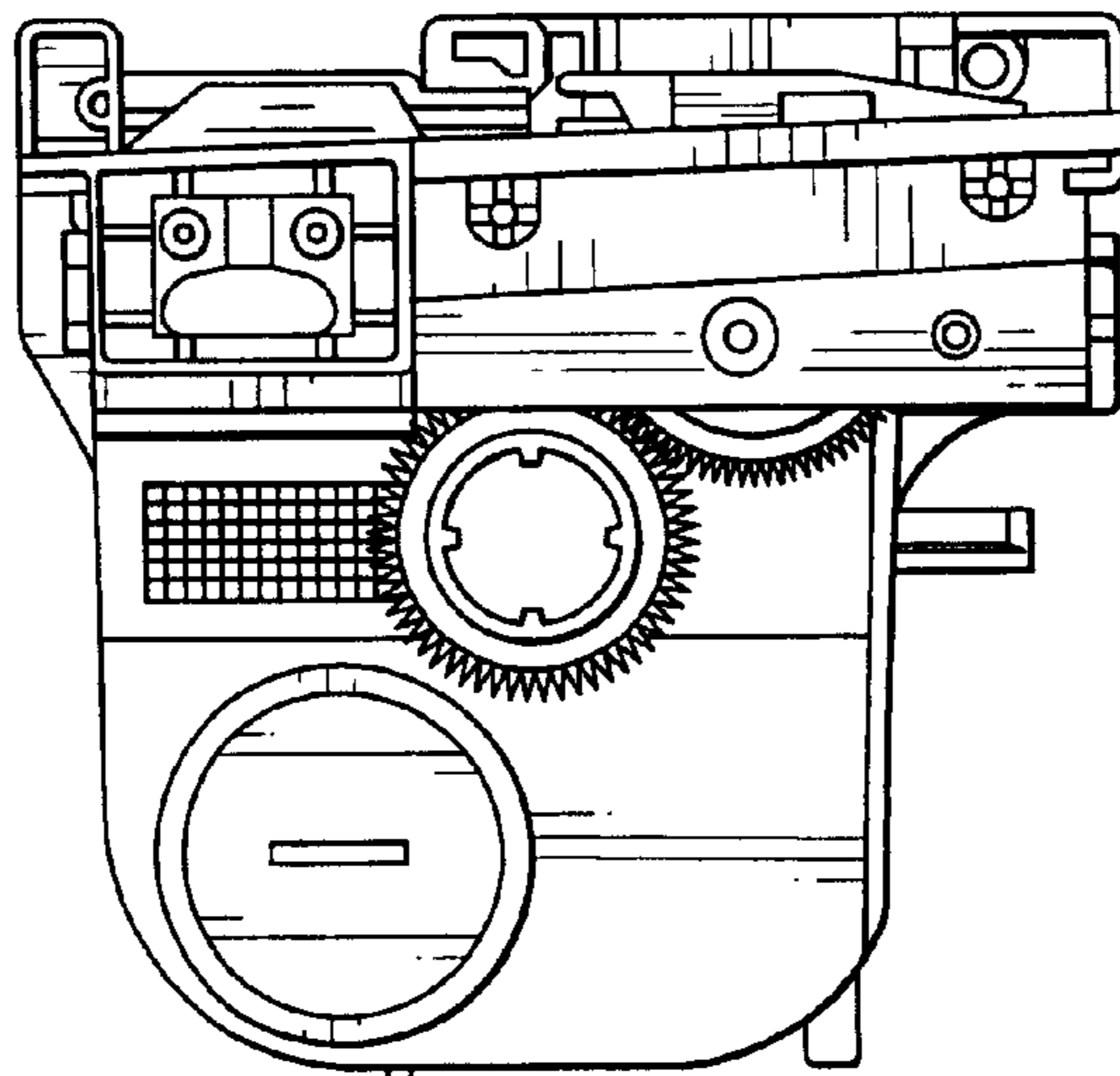


Fig. 7