



US00D522564S

(12) **United States Design Patent**
Ishii et al.

(10) **Patent No.:** **US D522,564 S**
(45) **Date of Patent:** **** Jun. 6, 2006**

(54) **TONER CARTRIDGE**

(75) Inventors: **Makoto Ishii**, Nagoya (JP); **Fumio Morita**, Haguri-gun (JP); **Fumikazu Sato**, Inuyama (JP)

(73) Assignee: **Brother Industries, Ltd.**, Nagoya (JP)

(**) Term: **14 Years**

(21) Appl. No.: **29/222,087**

(22) Filed: **Jan. 27, 2005**

(30) **Foreign Application Priority Data**

Aug. 13, 2004 (JP) 2004-024398

(51) **LOC (8) Cl.** **16-03**

(52) **U.S. Cl.** **D18/43**

(58) **Field of Classification Search** D18/12,
D18/36, 40, 43, 44, 56; D14/462, 469-471;
222/DIG. 1; 347/197, 222; 399/24-28, 107-112,
399/119, 121, 122, 222-224; 400/207, 208
See application file for complete search history.

(56) **References Cited**

U.S. PATENT DOCUMENTS

- D356,331 S * 3/1995 Ishibashi et al. D18/43
- D356,812 S * 3/1995 Chiba D18/43
- D422,304 S 4/2000 Suzuki et al.
- D423,559 S * 4/2000 Suzuki et al. D18/40
- D442,216 S 5/2001 Kimura et al.
- 6,272,299 B1 * 8/2001 Numagami et al. 399/111
- D447,511 S * 9/2001 Kimura et al. D18/40
- D471,228 S 3/2003 Okabe et al.
- 6,690,903 B1 * 2/2004 Okabe et al. 399/111
- D507,296 S * 7/2005 Ishii et al. D18/43
- D507,595 S * 7/2005 Kobayashi et al. D18/43
- 6,963,706 B1 * 11/2005 Morioka et al. 399/111
- 2002/0159779 A1 * 10/2002 Morioka et al. 399/27

OTHER PUBLICATIONS

U.S. Appl. No. 29/197,016, filed Jan. 8, 2004, Suzuki et al.
U.S. Appl. No. 29/197,018, filed Jan. 8, 2004, Kobayashi et al.

U.S. Appl. No. 29/197,019, filed Jan. 8, 2004, Kobayashi et al.
 U.S. Appl. No. 29/197,020, filed Jan. 8, 2004, Kobayashi et al.
 U.S. Appl. No. 29/197,021, filed Jan. 8, 2004, Kobayashi et al.
 U.S. Appl. No. 29/197,022, filed Jan. 8, 2004, Kobayashi et al.
 U.S. Appl. No. 29/197,023, filed Jan. 8, 2004, Suzuki et al.
 U.S. Appl. No. 29/197,046, filed Jan. 8, 2004, Kobayashi et al.
 U.S. Appl. No. 29/196,953, filed Jan. 8, 2004, Kobayashi et al.
 U.S. Appl. No. 29/199,278, filed Feb. 12, 2004, Ishii et al.
 U.S. Appl. No. 29/199,251, filed Feb. 12, 2004, Ishii et al.
 U.S. Appl. No. 29/199,336, filed Feb. 12, 2004, Ishii et al.
 U.S. Appl. No. 29/199,333, filed Feb. 12, 2004, Ishii et al.
 U.S. Appl. No. 29/199,275, filed Feb. 12, 2004, Ishii et al.

* cited by examiner

Primary Examiner—Caron D. Veynar
Assistant Examiner—Garth Rademaker
(74) *Attorney, Agent, or Firm*—Oliff & Berridge, PLC

(57) **CLAIM**

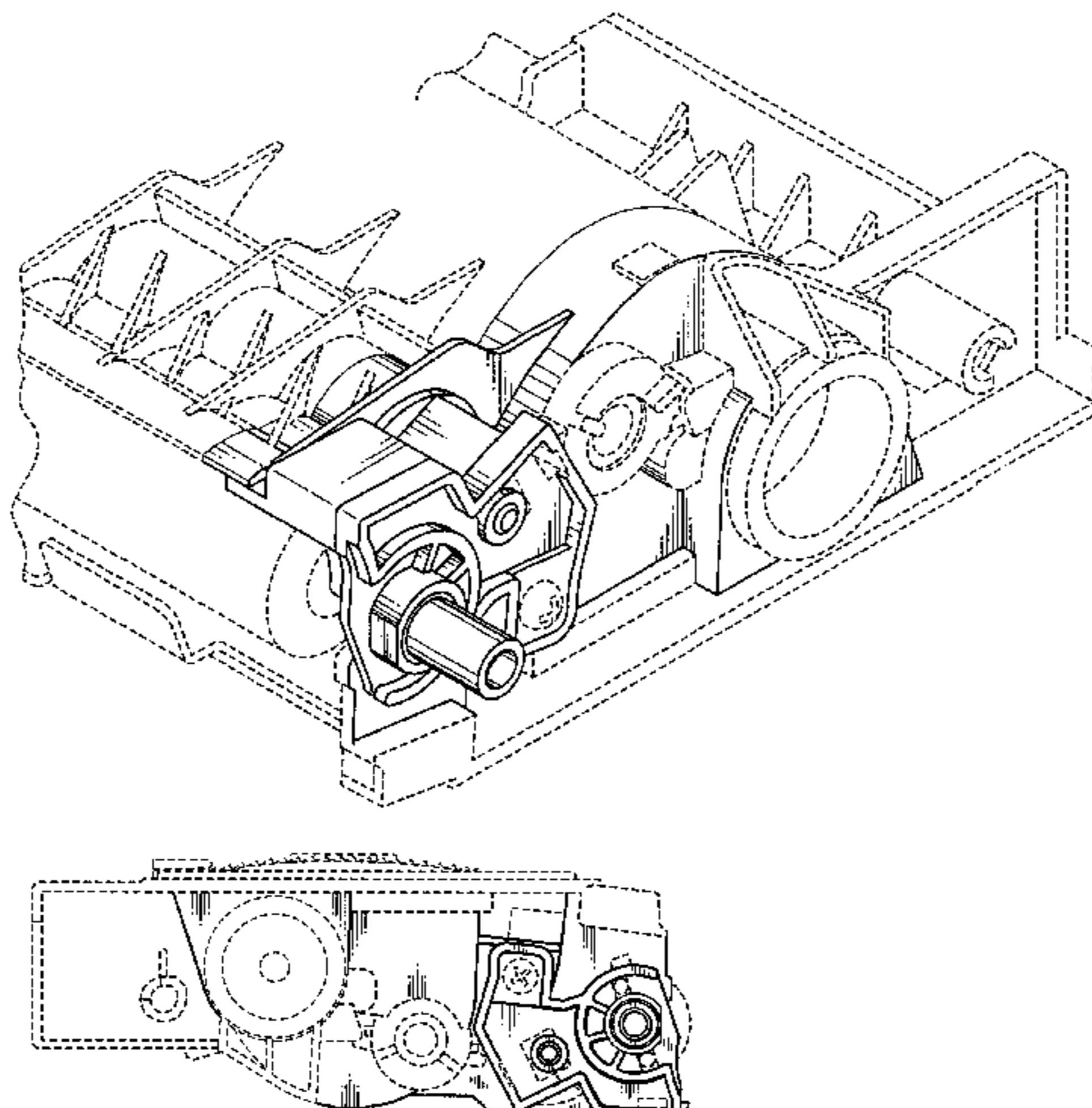
The ornamental design for a toner cartridge, as shown and described.

DESCRIPTION

FIG. 1 is a perspective view of a toner cartridge;
FIG. 2 is an enlarged partial perspective view thereof;
FIG. 3 is a front view thereof;
FIG. 4 is a top view thereof;
FIG. 5 is a right-side view thereof;
FIG. 6 is a rear view thereof; and,
FIG. 7 is a bottom view thereof.

The broken line showing is for illustrative purposes only and forms no part of the claimed design.

1 Claim, 5 Drawing Sheets



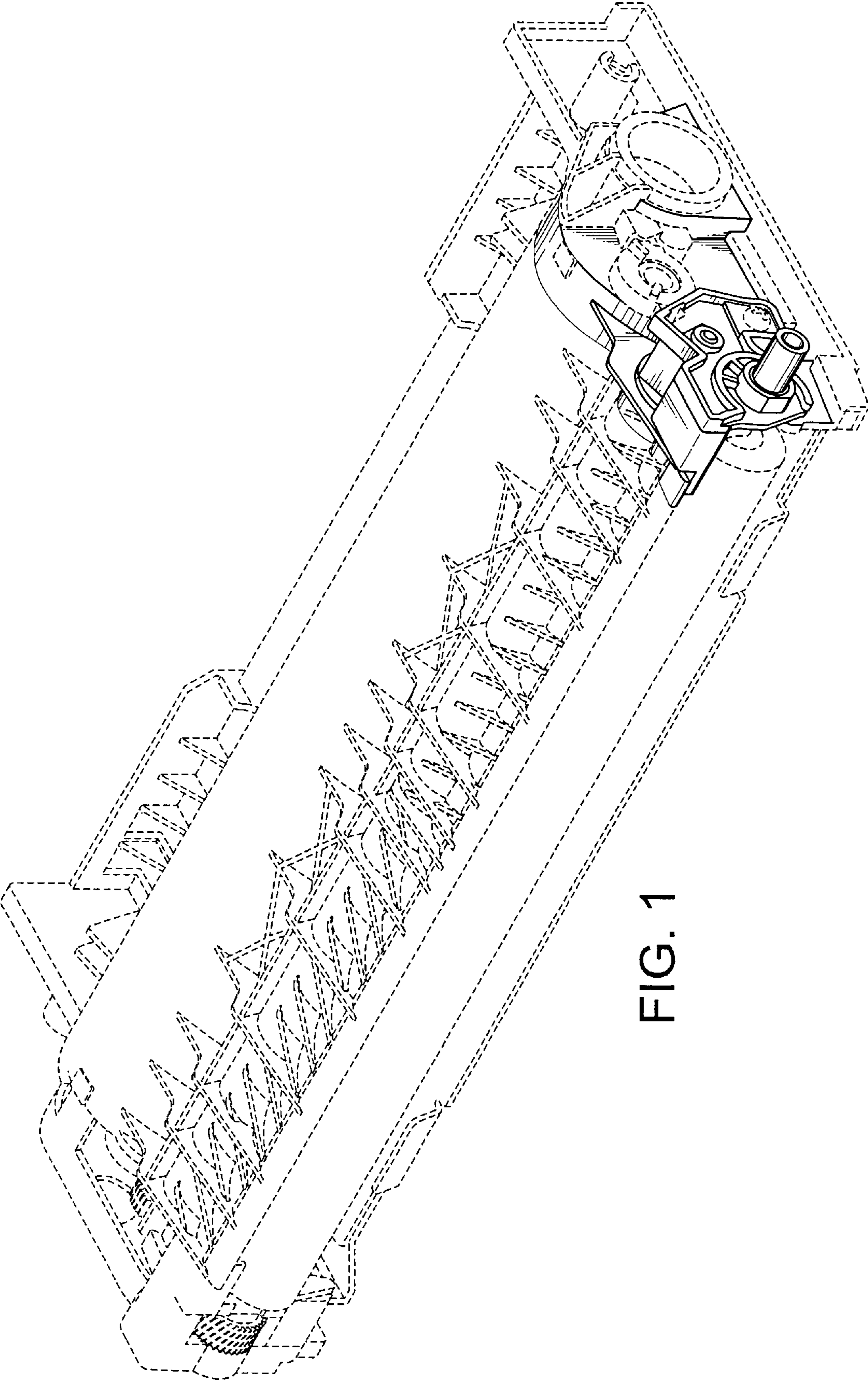


FIG. 1

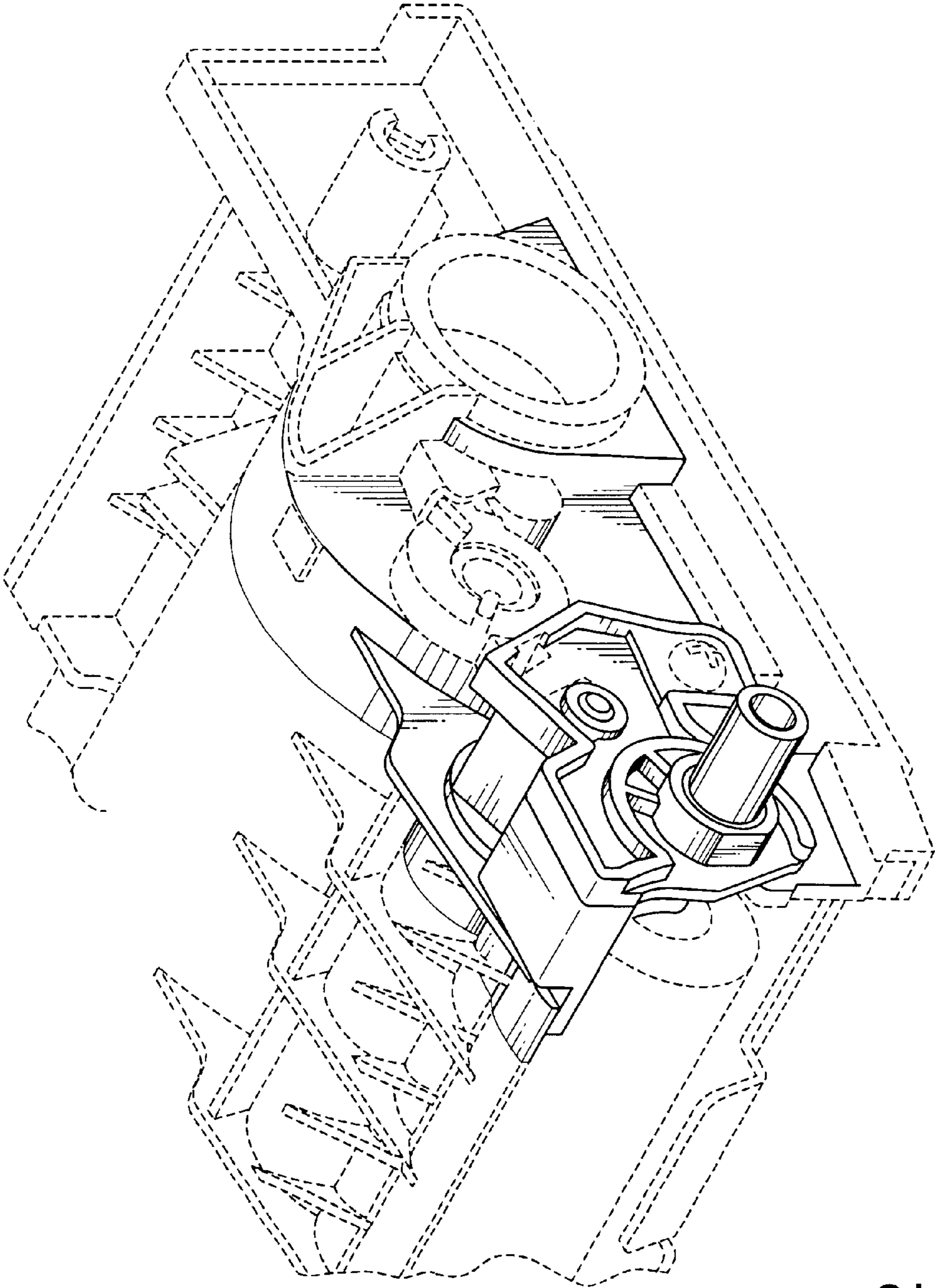


FIG. 2

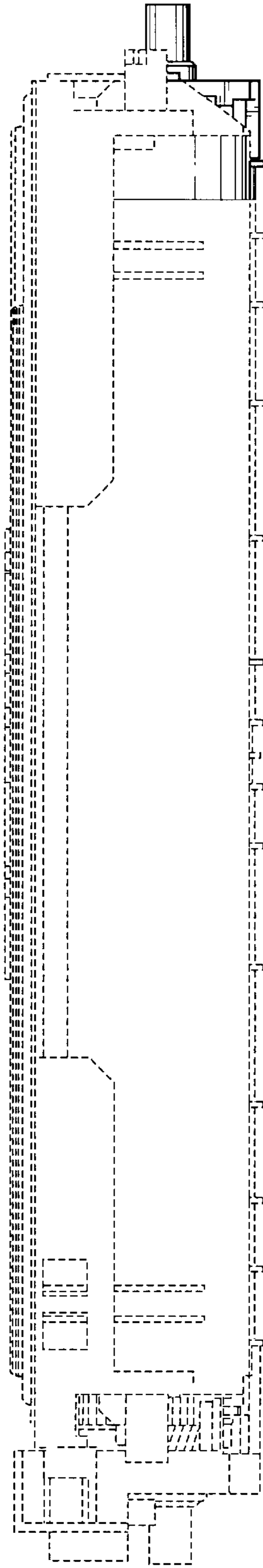


FIG. 3

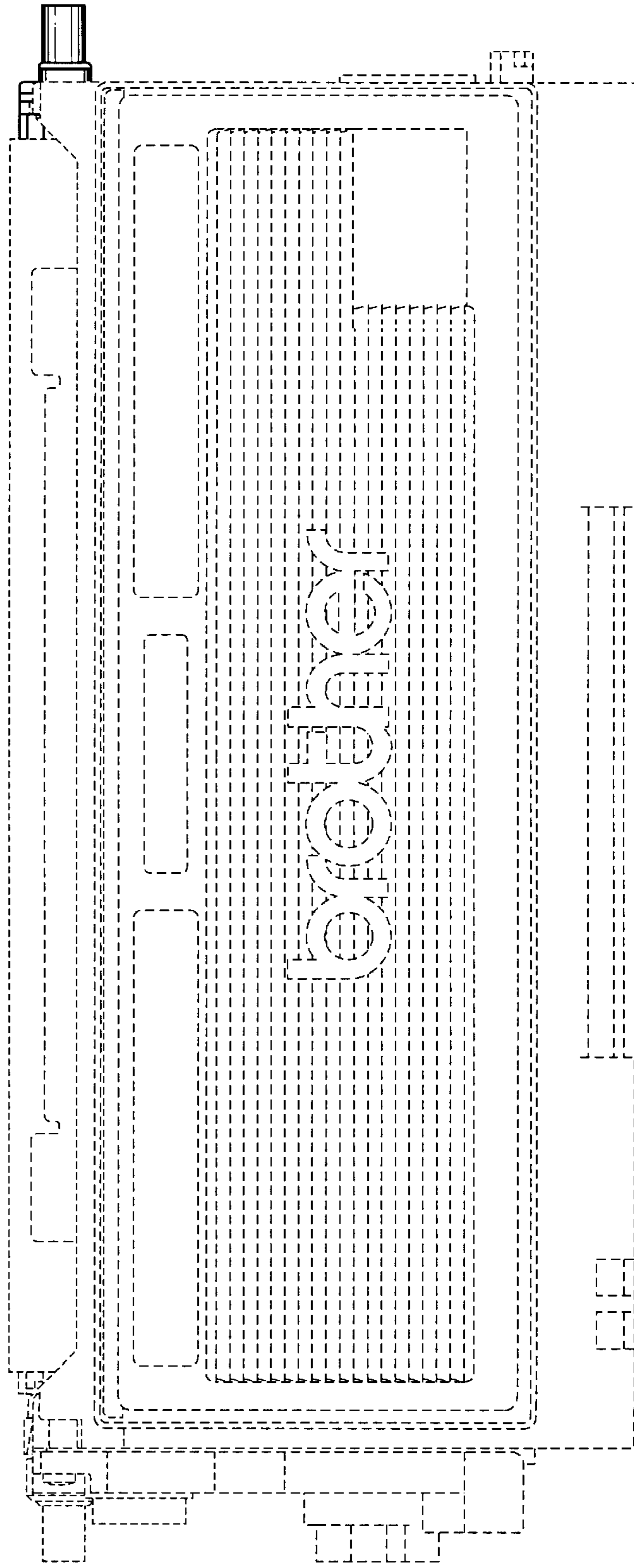


FIG. 4

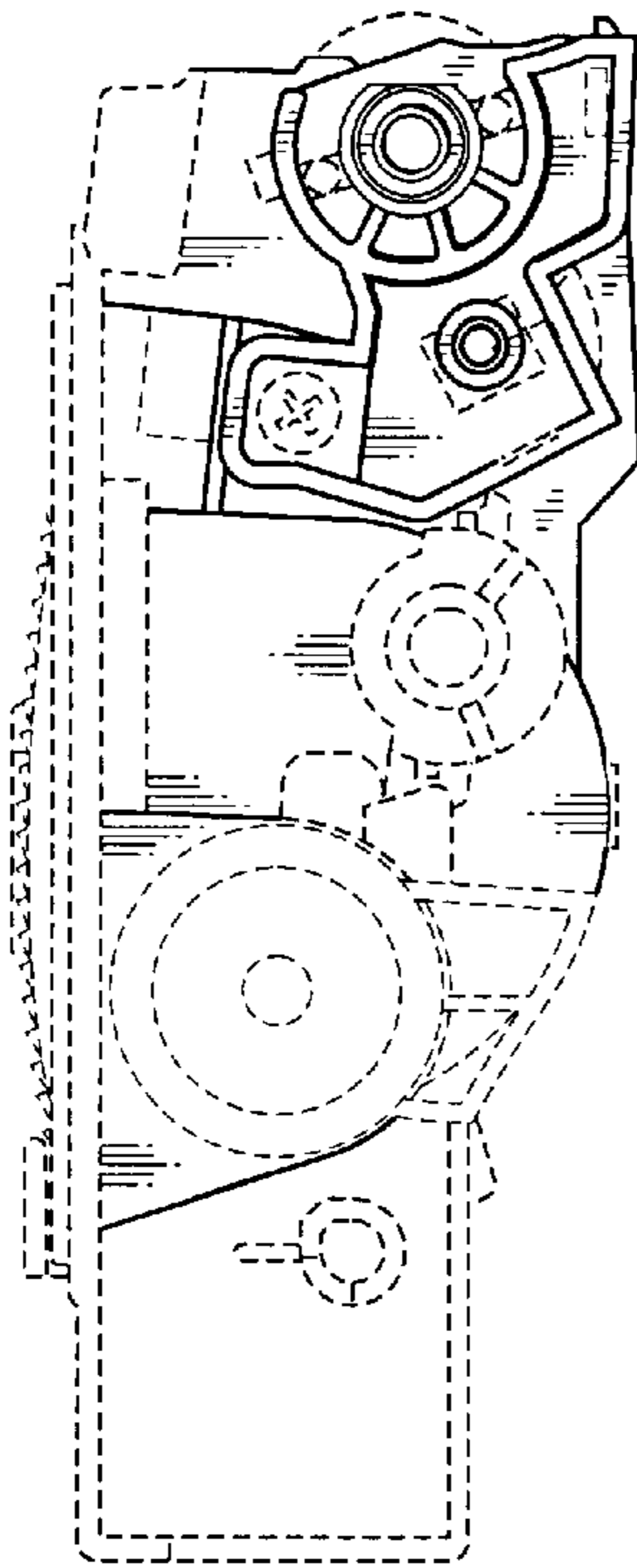


FIG. 5

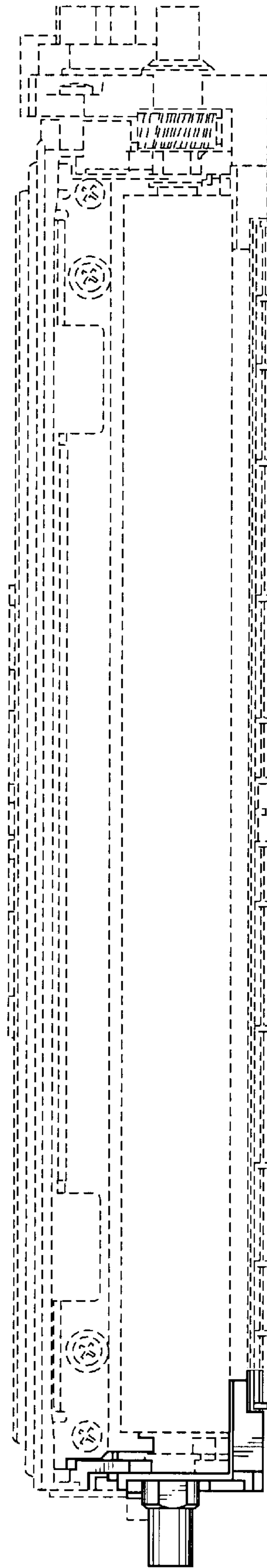


FIG. 6

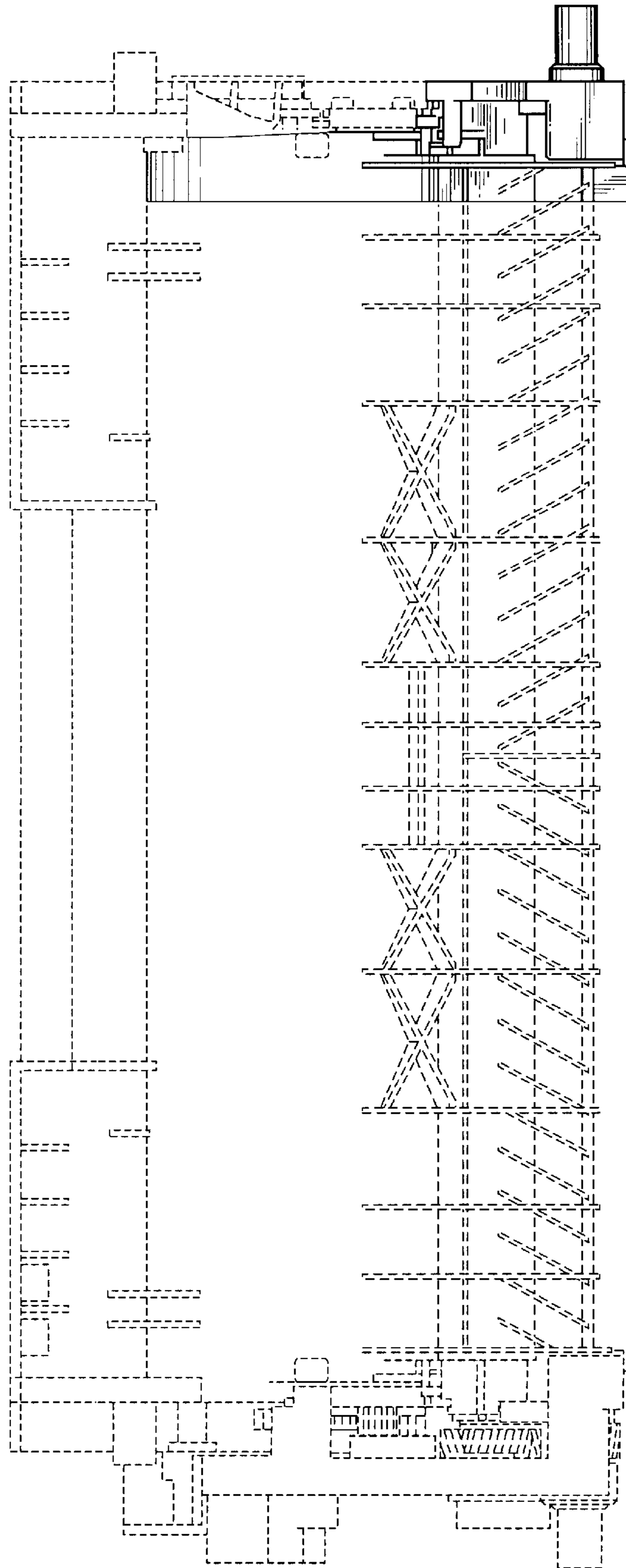


FIG. 7