

US00D522561S

(12) **United States Design Patent**  
**Ikeuchi et al.**

(10) **Patent No.:** **US D522,561 S**  
(45) **Date of Patent:** **\*\* Jun. 6, 2006**

(54) **PROJECTOR**

(75) Inventors: **Hajime Ikeuchi**, Shiraita (JP); **Haruki Senda**, Shiraita (JP); **Masaharu Tanaka**, Shiraita (JP); **Teruo Sakurai**, Shimauchi (JP); **Akitoshi Kuroda**, Yamagata-mura (JP); **Toshimitsu Watanabe**, Imai (JP)

(73) Assignee: **Seiko Epson Corporation**, Tokyo (JP)

(\*\*) Term: **14 Years**

(21) Appl. No.: **29/224,024**

(22) Filed: **Feb. 23, 2005**

(30) **Foreign Application Priority Data**

Jan. 5, 2005 (JP) ..... 2005-000035

(51) **LOC (8) Cl.** ..... **16-02**

(52) **U.S. Cl.** ..... **D16/230; D16/225**

(58) **Field of Classification Search** ..... D16/205,  
D16/208, 221, 225, 229, 230, 231, 234, 235;  
D21/514; 353/115, 119, 122  
See application file for complete search history.

(56) **References Cited**

**U.S. PATENT DOCUMENTS**

D202,669 S \* 10/1965 Podall ..... D16/234

D387,795 S \* 12/1997 Sakamoto ..... D16/231  
D389,850 S \* 1/1998 Frank ..... D16/225  
D470,525 S \* 2/2003 Nakayama et al. .... D16/231  
6,793,346 B1 \* 9/2004 Nakano et al. .... 353/119  
D503,733 S \* 4/2005 Kurokawa ..... D16/230  
D506,770 S \* 6/2005 Saeki et al. .... D16/230

\* cited by examiner

*Primary Examiner*—Adir Aronovich

(74) *Attorney, Agent, or Firm*—Oliff & Berridge, PLC

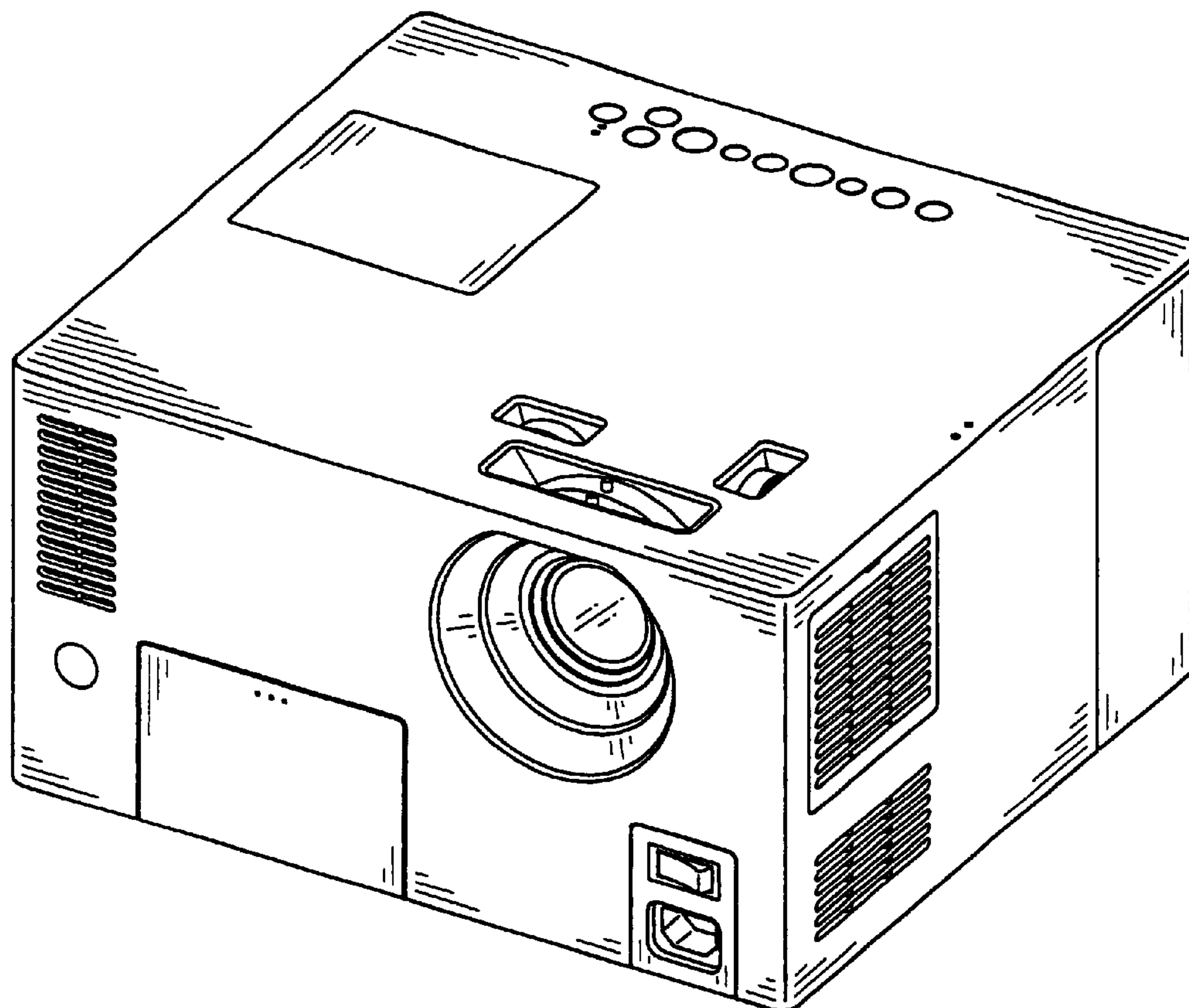
(57) **CLAIM**

The ornamental design for a projector, as shown and described.

**DESCRIPTION**

FIG. 1 is a perspective view of a projector;  
FIG. 2 is a front view thereof;  
FIG. 3 is a rear view thereof;  
FIG. 4 is a right-side view thereof;  
FIG. 5 is a left-side view thereof;  
FIG. 6 is a top view thereof; and,  
FIG. 7 is a bottom view thereof.

**1 Claim, 4 Drawing Sheets**



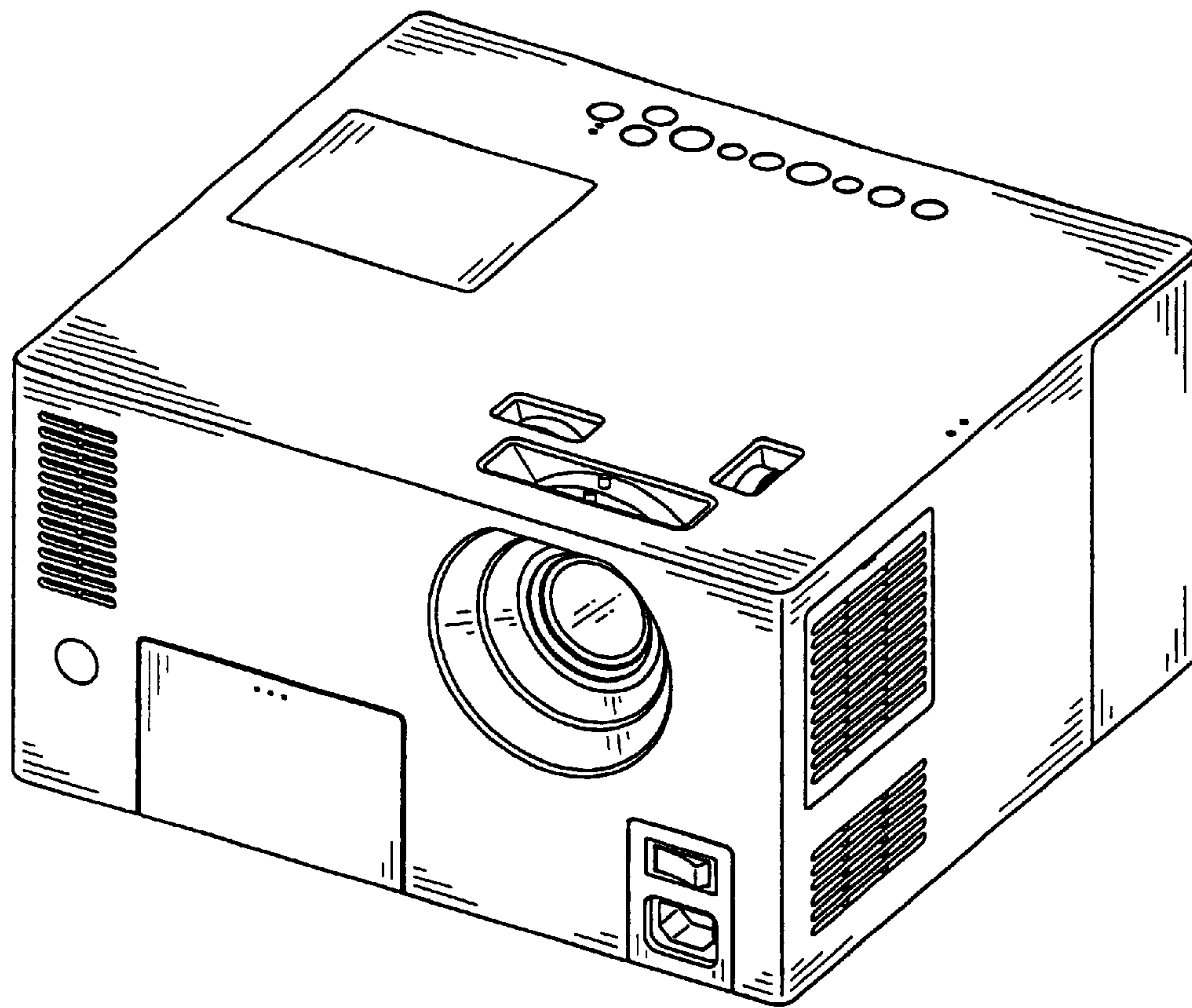


FIG. 1

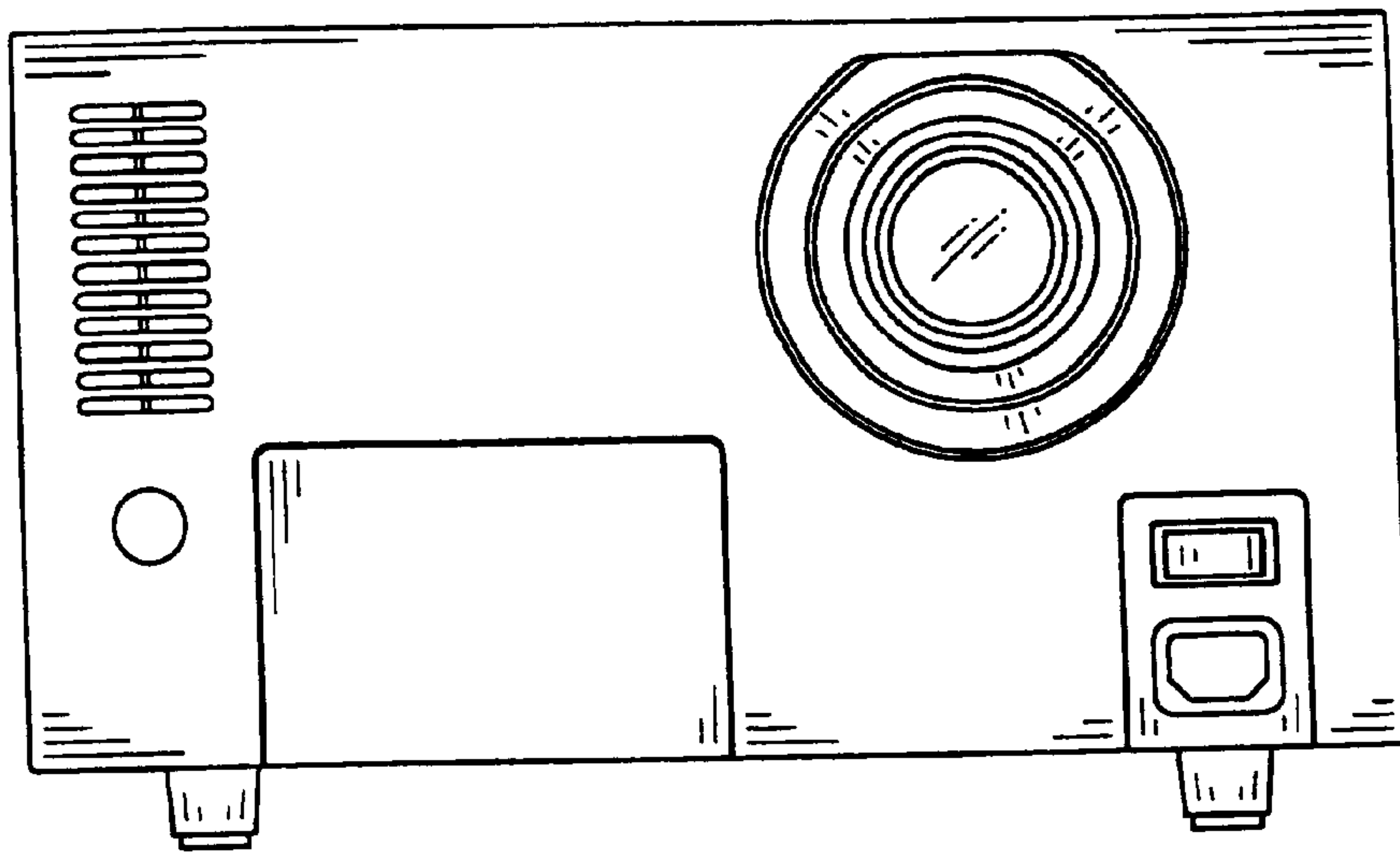


FIG. 2

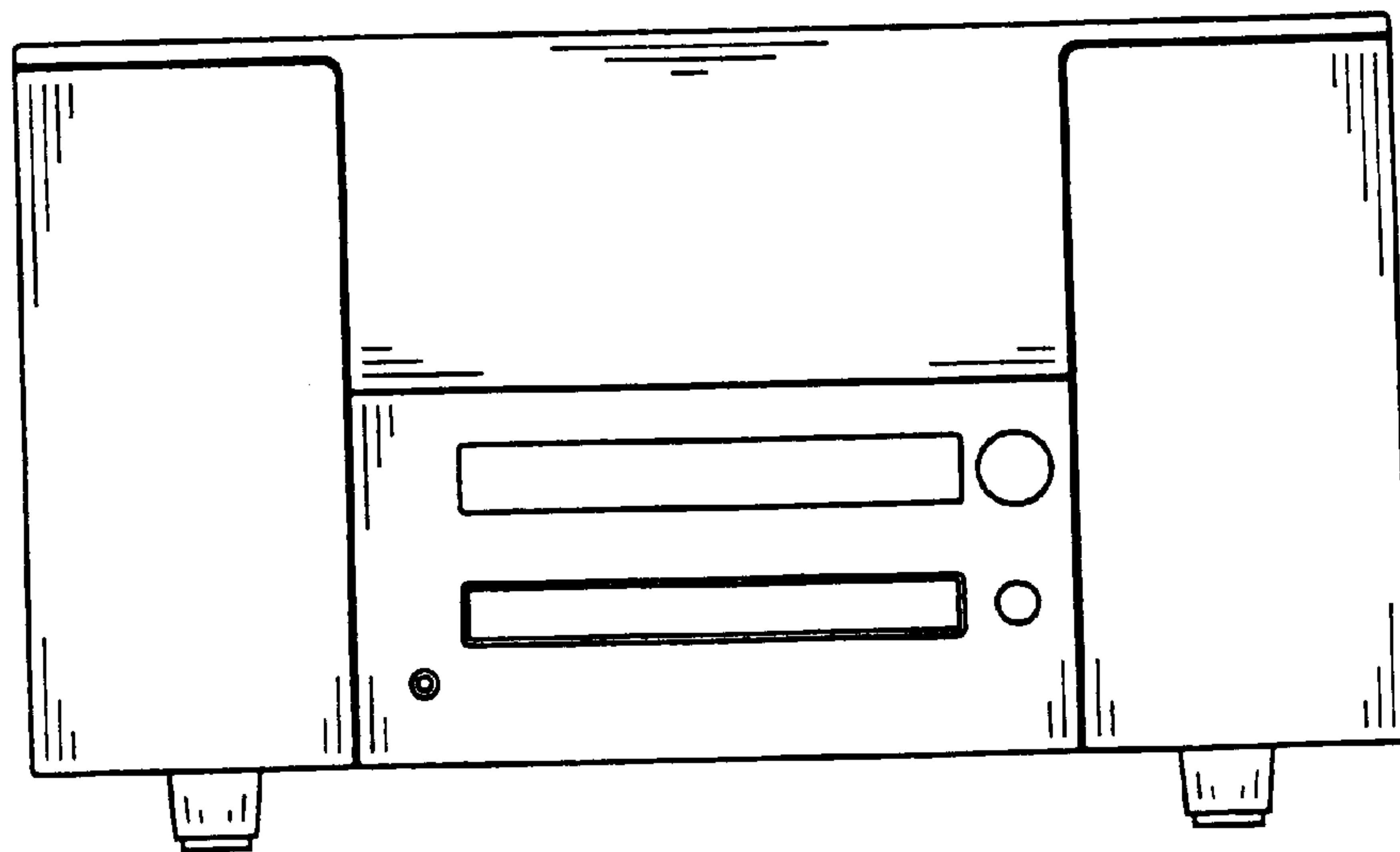


FIG. 3

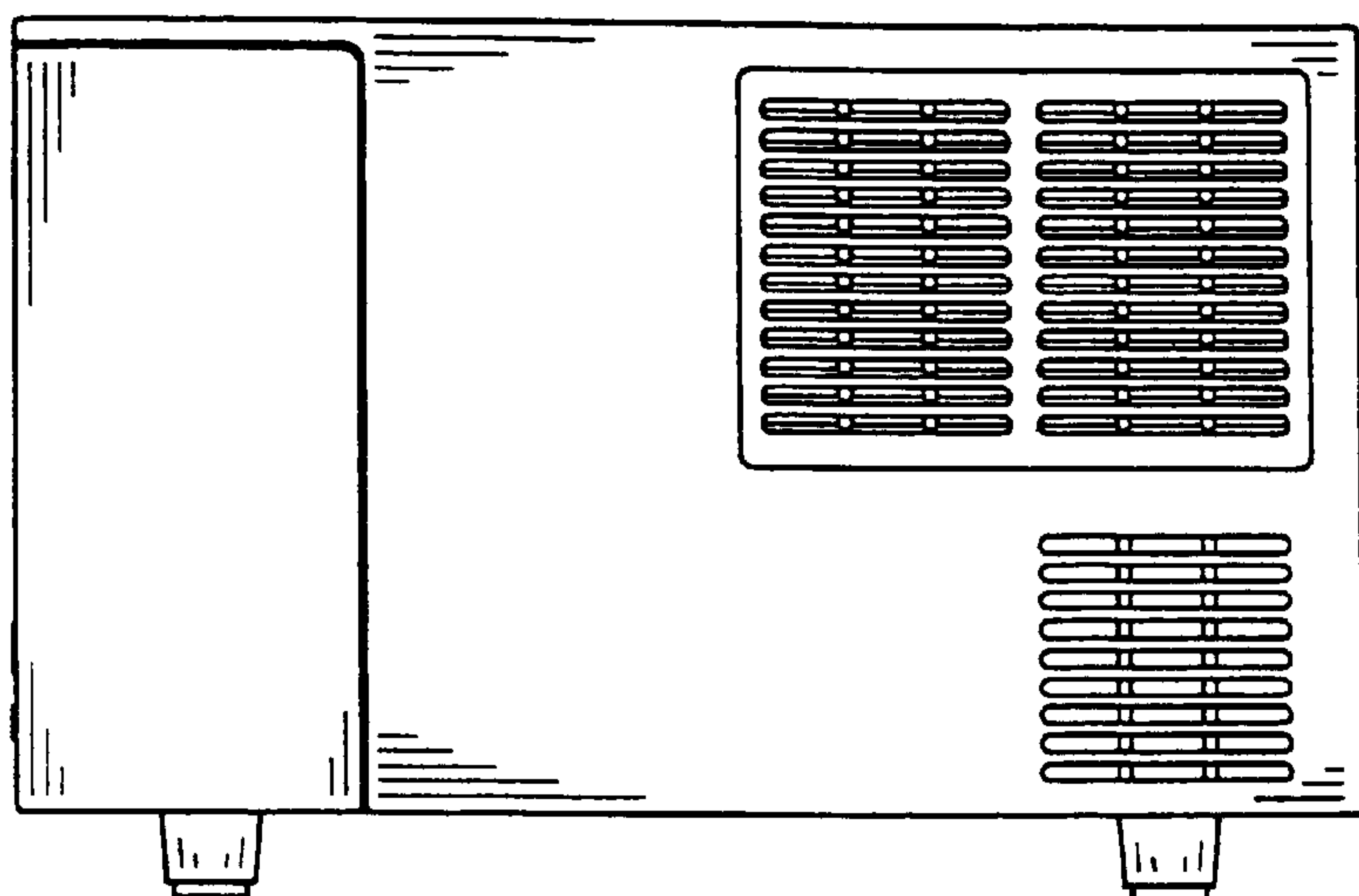


FIG. 4

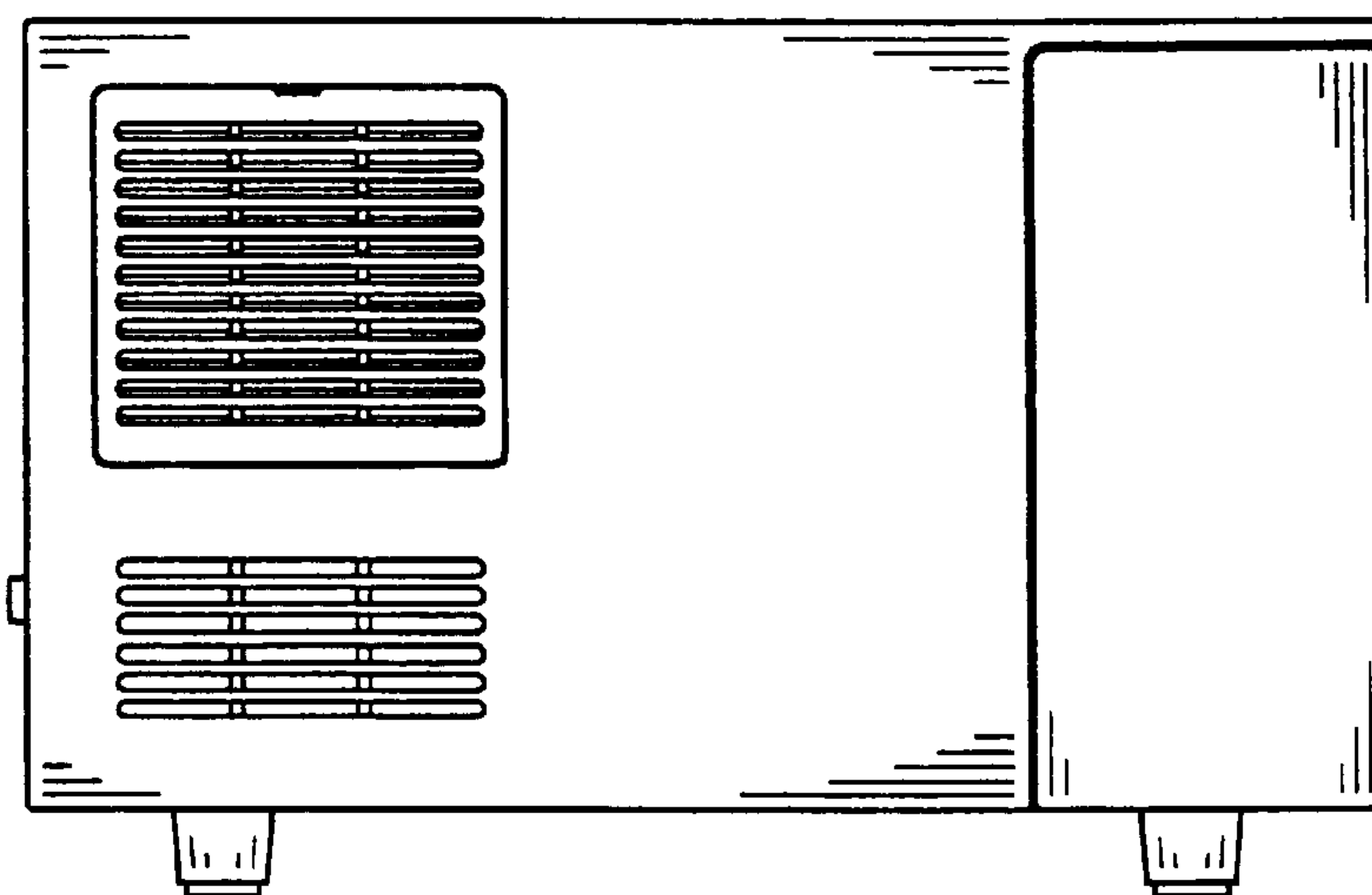


FIG. 5

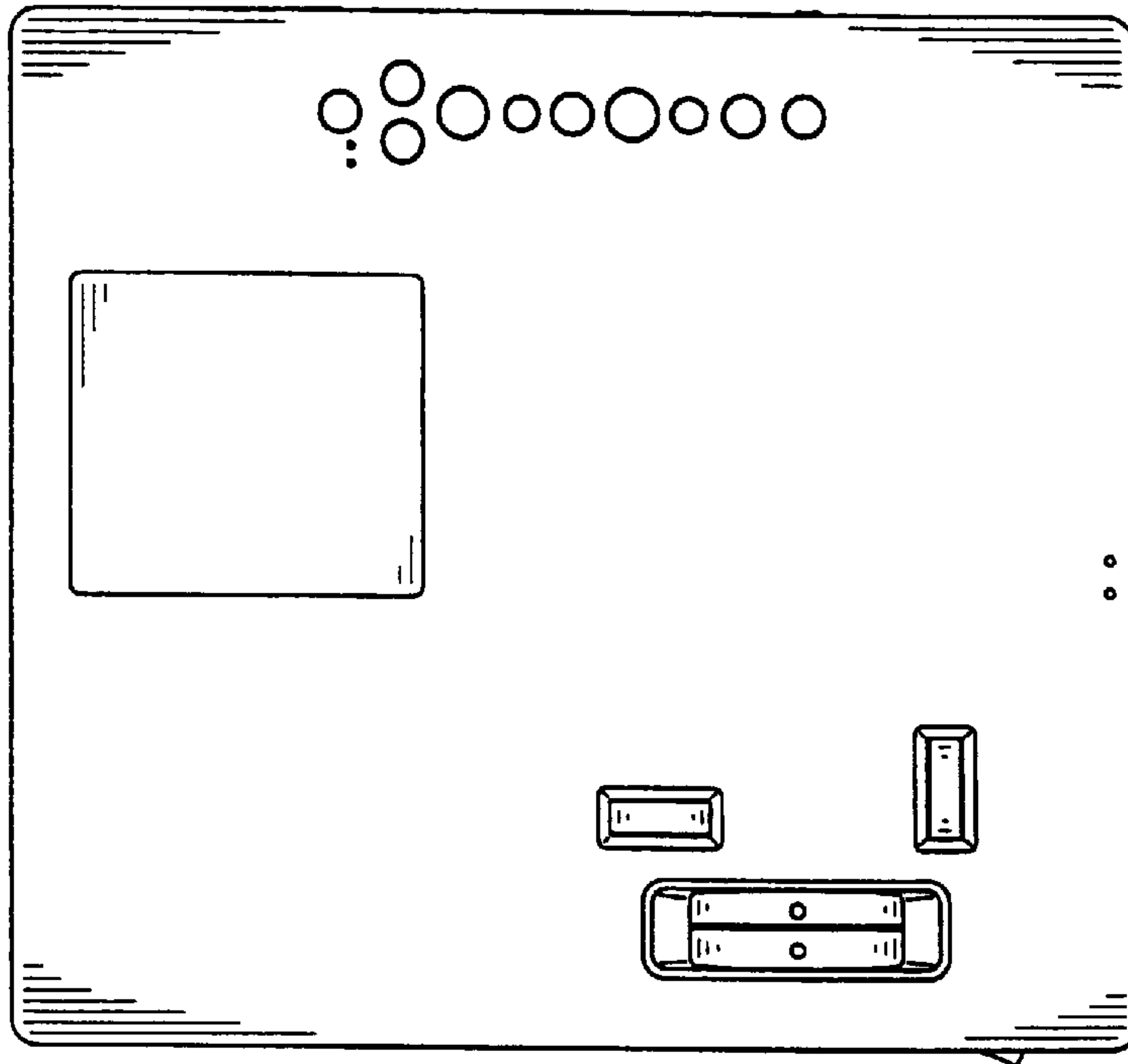


FIG. 6

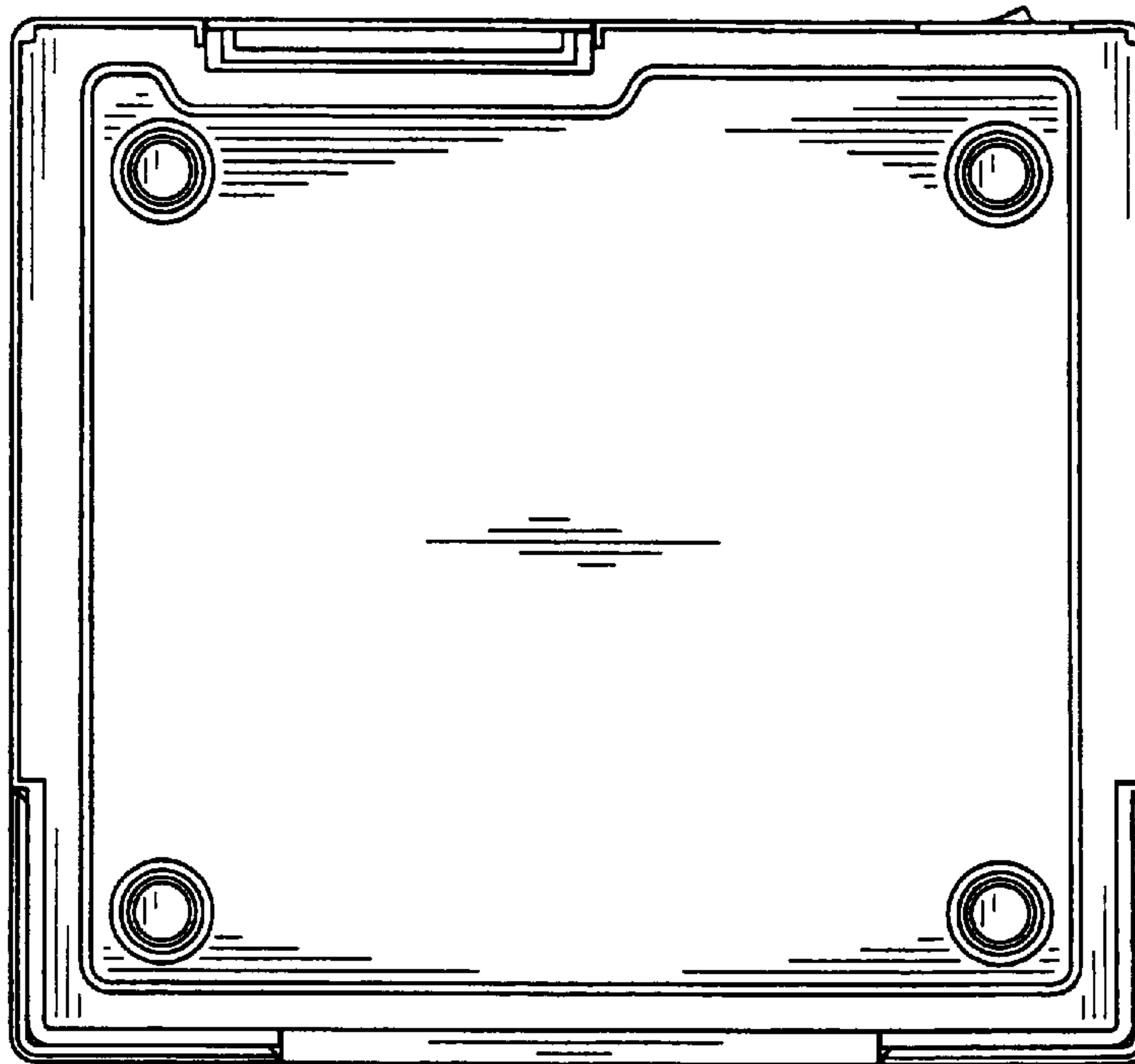


FIG. 7