

US00D522560S

(12) **United States Design Patent**
Inaba

(10) **Patent No.:** **US D522,560 S**

(45) **Date of Patent:** **** Jun. 6, 2006**

(54) **DIGITAL CAMERA**

(75) Inventor: **Toshiya Inaba**, Tokyo (JP)

(73) Assignee: **PENTAX Corporation**, Tokyo (JP)

(**) Term: **14 Years**

(21) Appl. No.: **29/218,583**

(22) Filed: **Dec. 6, 2004**

(30) **Foreign Application Priority Data**

Jun. 23, 2004 (JP) 2004-018783

(51) **LOC (8) Cl.** **16-05**

(52) **U.S. Cl.** **D16/219; D16/202**

(58) **Field of Classification Search** D16/200–205,
D16/208, 209, 218, 219; 348/373–376; 358/909.1;
396/6, 535–541

See application file for complete search history.

(56) **References Cited**

U.S. PATENT DOCUMENTS

D438,228 S *	2/2001	Hamamura	D16/209
6,381,411 B1 *	4/2002	Lee	396/6
D473,579 S *	4/2003	Katayama et al.	D16/202
D487,766 S *	3/2004	Tanaka	D16/209
D497,378 S *	10/2004	Fujii	D16/202
D500,778 S *	1/2005	Naito	D16/219
D501,497 S *	2/2005	Hayamizu	D16/219
D503,184 S *	3/2005	Horikiri	D16/202

* cited by examiner

Primary Examiner—Adir Aronovich

(74) *Attorney, Agent, or Firm*—Sughrue Mion, PLLC

(57) **CLAIM**

The ornamental design for a digital camera, as shown and described.

DESCRIPTION

FIG. 1 is a perspective view of the front, right, and top sides of a digital camera showing my new design;

FIG. 2 is a front elevational view thereof;

FIG. 3 is a rear elevational view thereof;

FIG. 4 is a left side elevational view thereof;

FIG. 5 is a right side elevational view thereof;

FIG. 6 is a top plan view thereof;

FIG. 7 is a bottom plan view thereof;

FIG. 8 is a perspective view of the rear, left, and top sides thereof with a display panel in a first position;

FIG. 9 is a perspective view of the front, right, and top sides thereof with the display panel in a second position;

FIG. 10 is a perspective view of the rear, left, and top sides with the display panel in a third position;

FIG. 11 is a front elevational view thereof in a state of taking a picture; and,

FIG. 12 is a right side elevational view thereof in a state of taking a picture.

In FIGS. 1–12, the portions shown in broken lines are for illustrative purposes only and form no part of the claimed design.

1 Claim, 10 Drawing Sheets

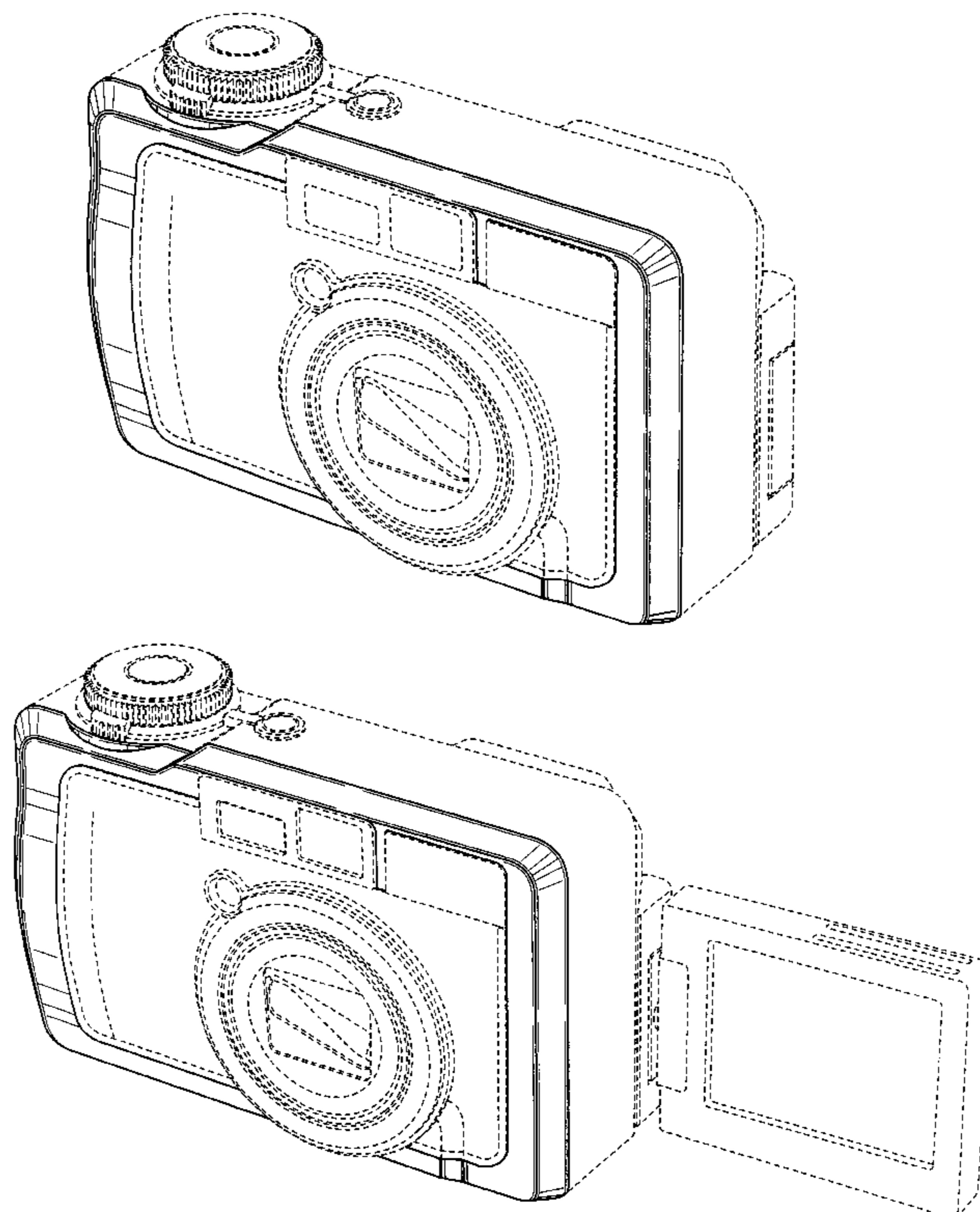


FIG. 1

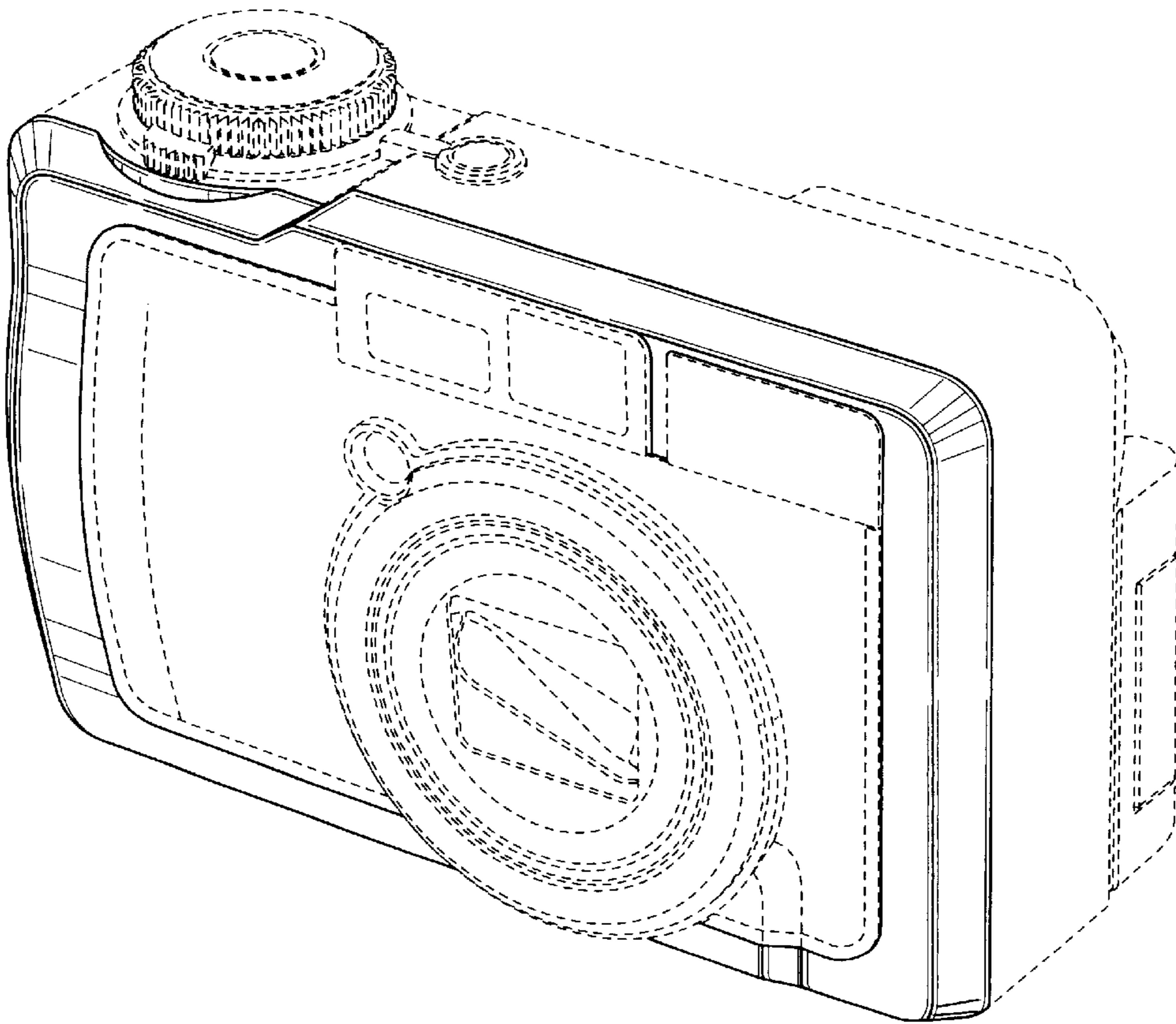


FIG. 2

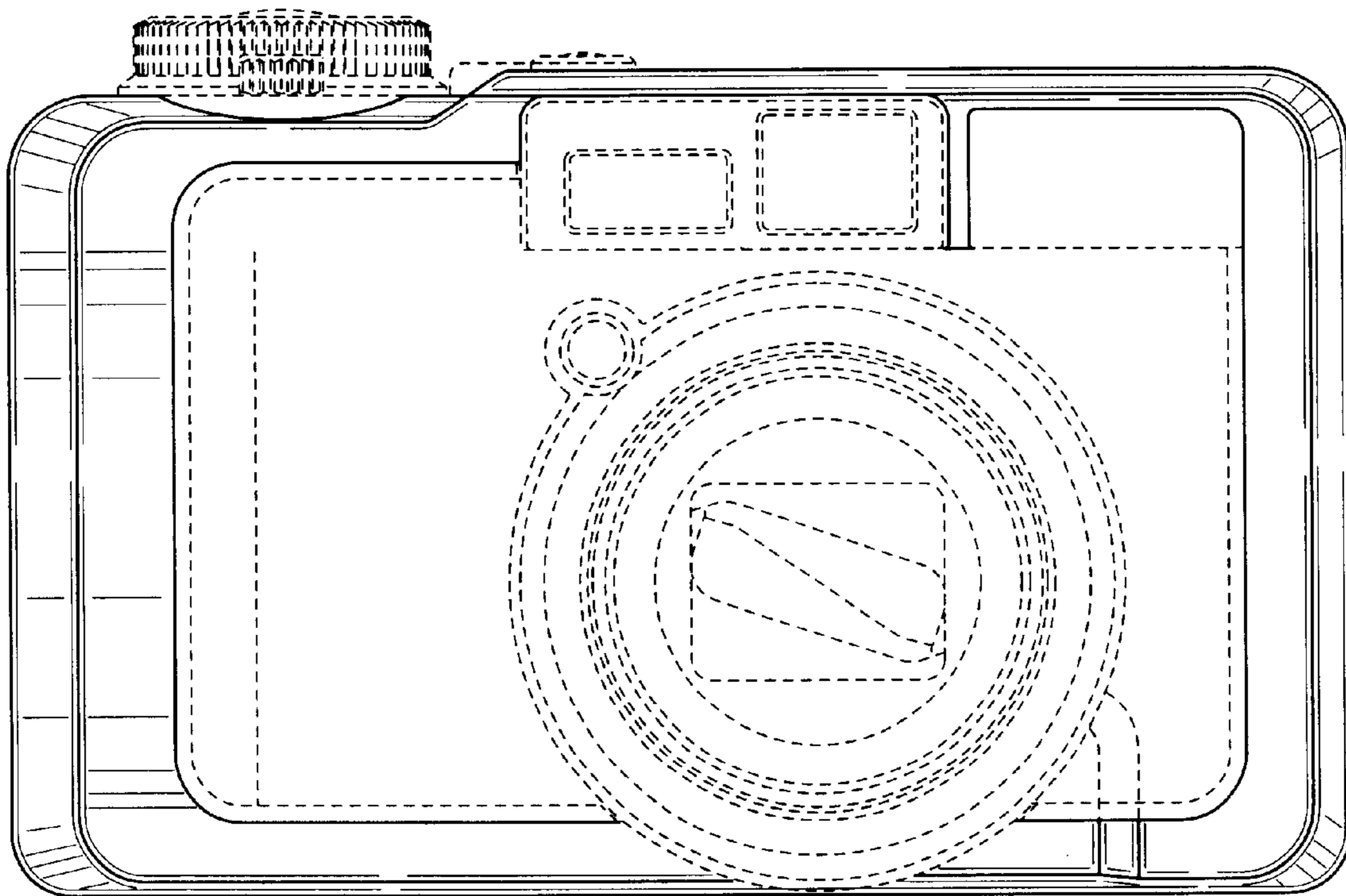


FIG. 3

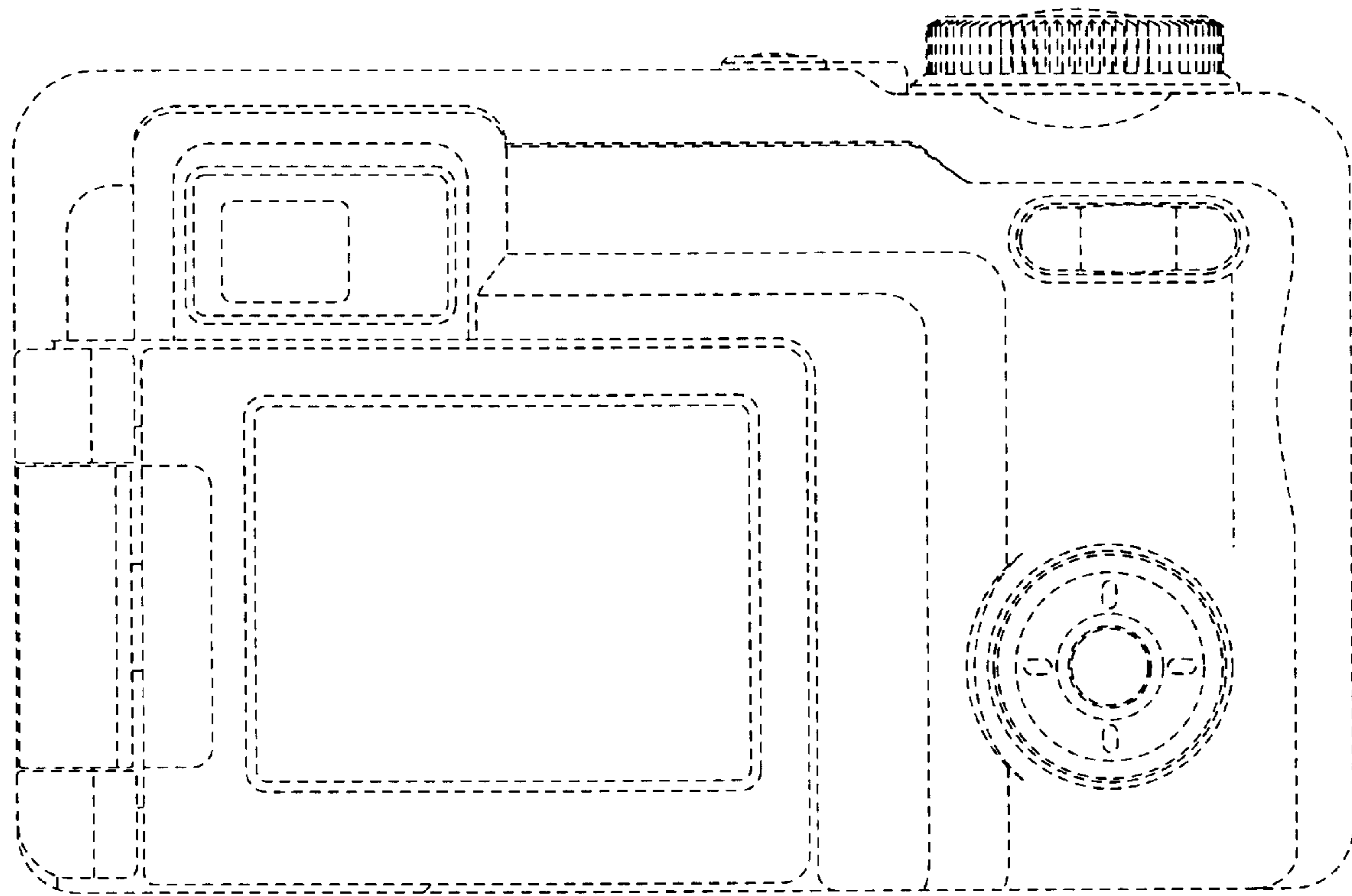


FIG. 4

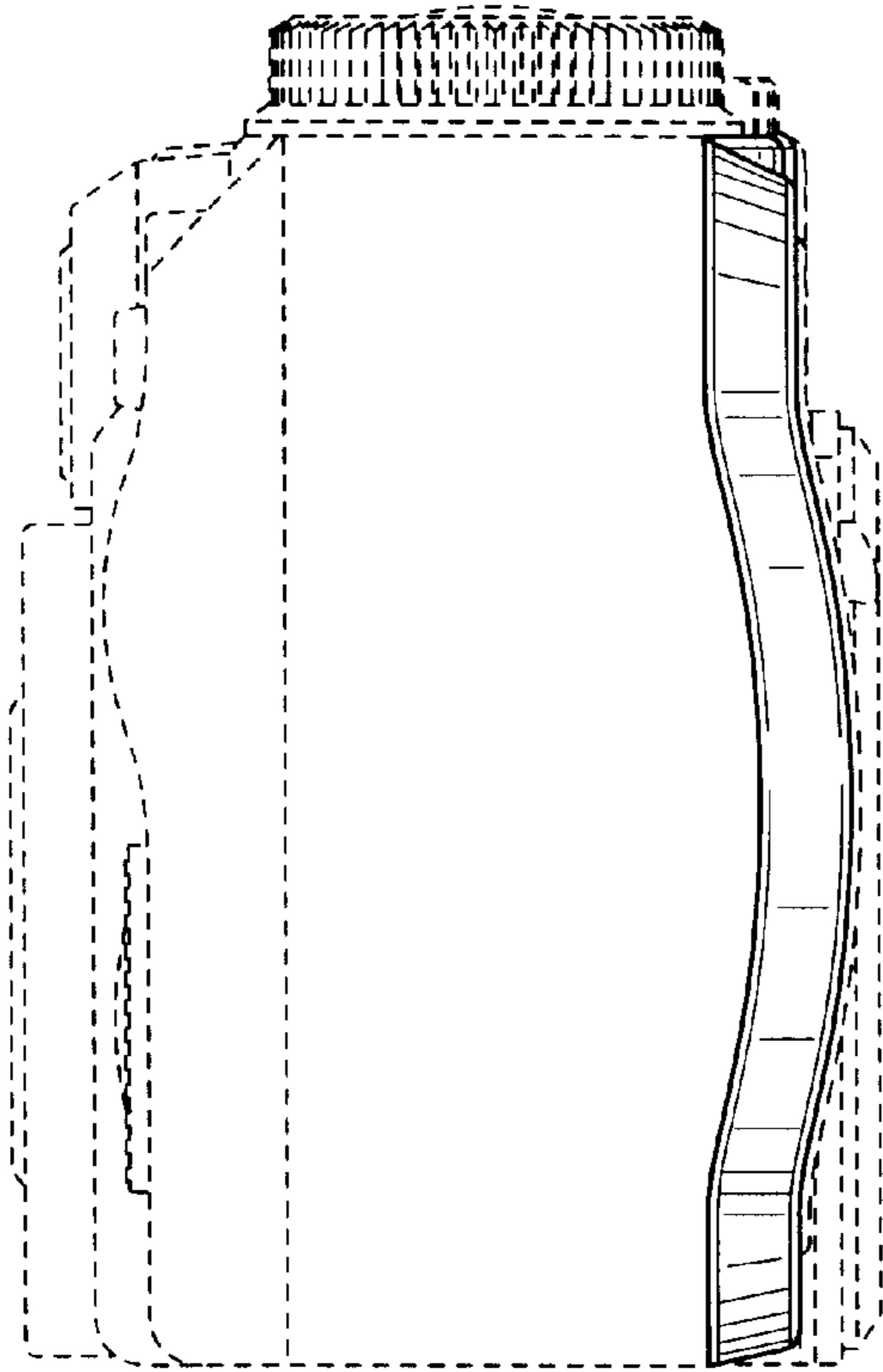


FIG. 5

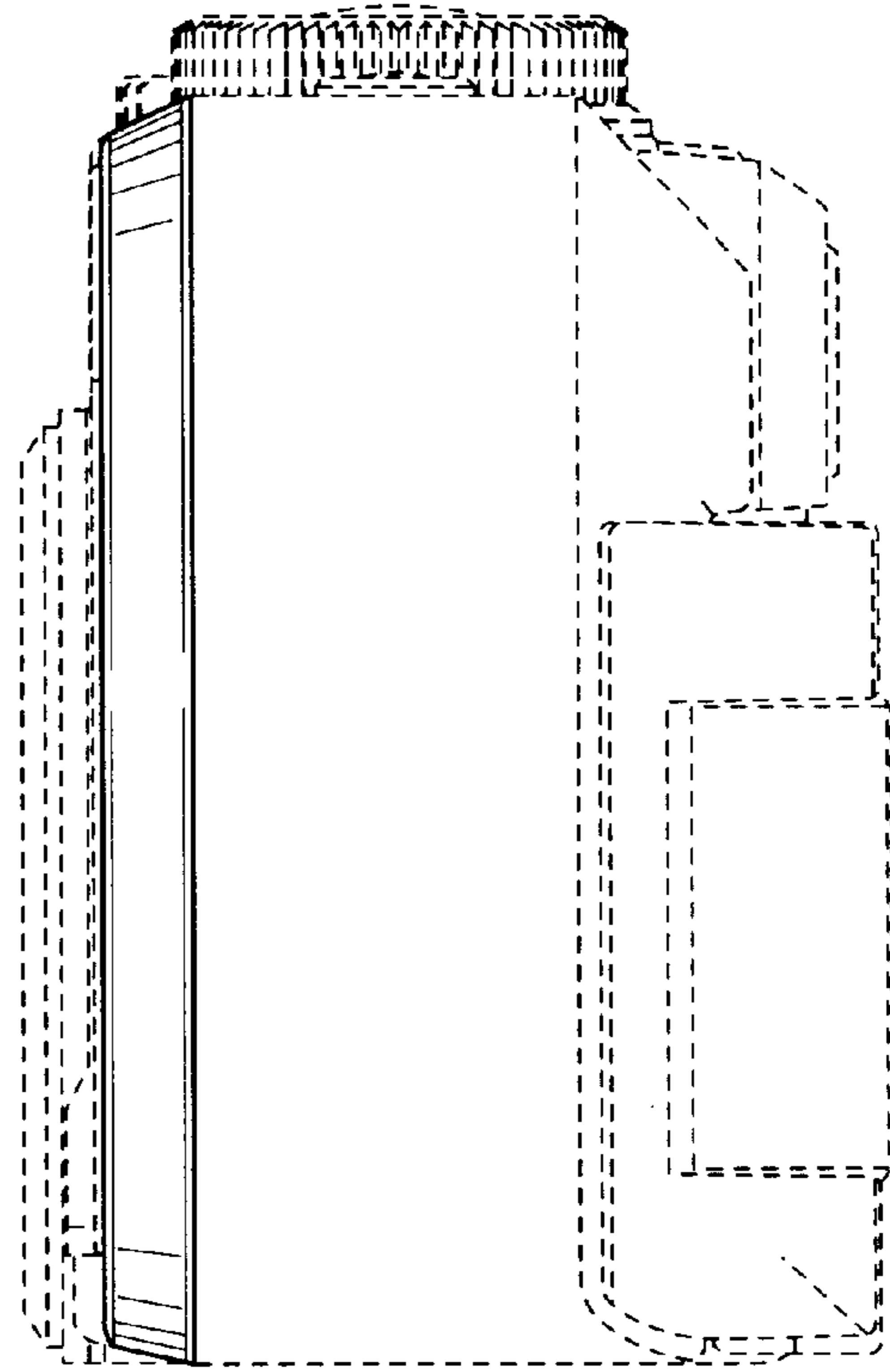


FIG. 6

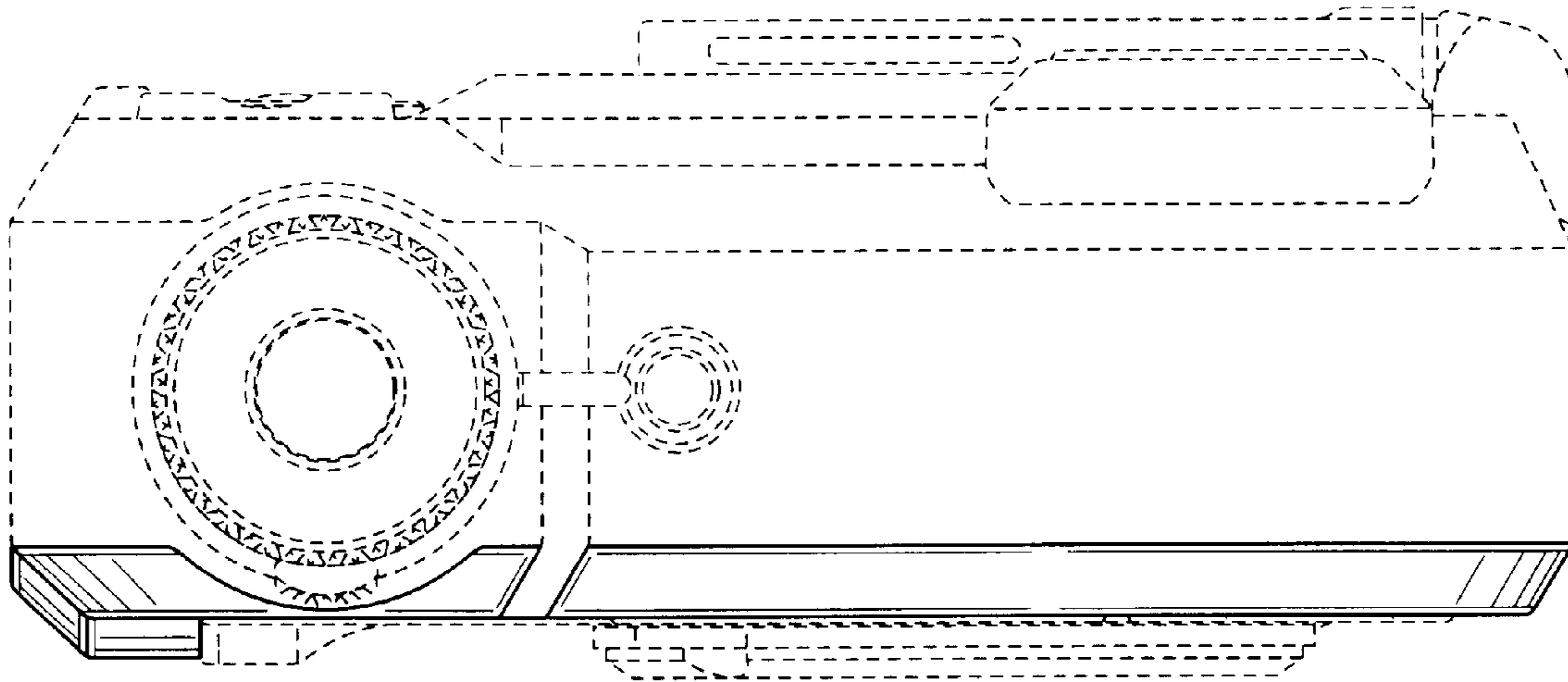


FIG. 7

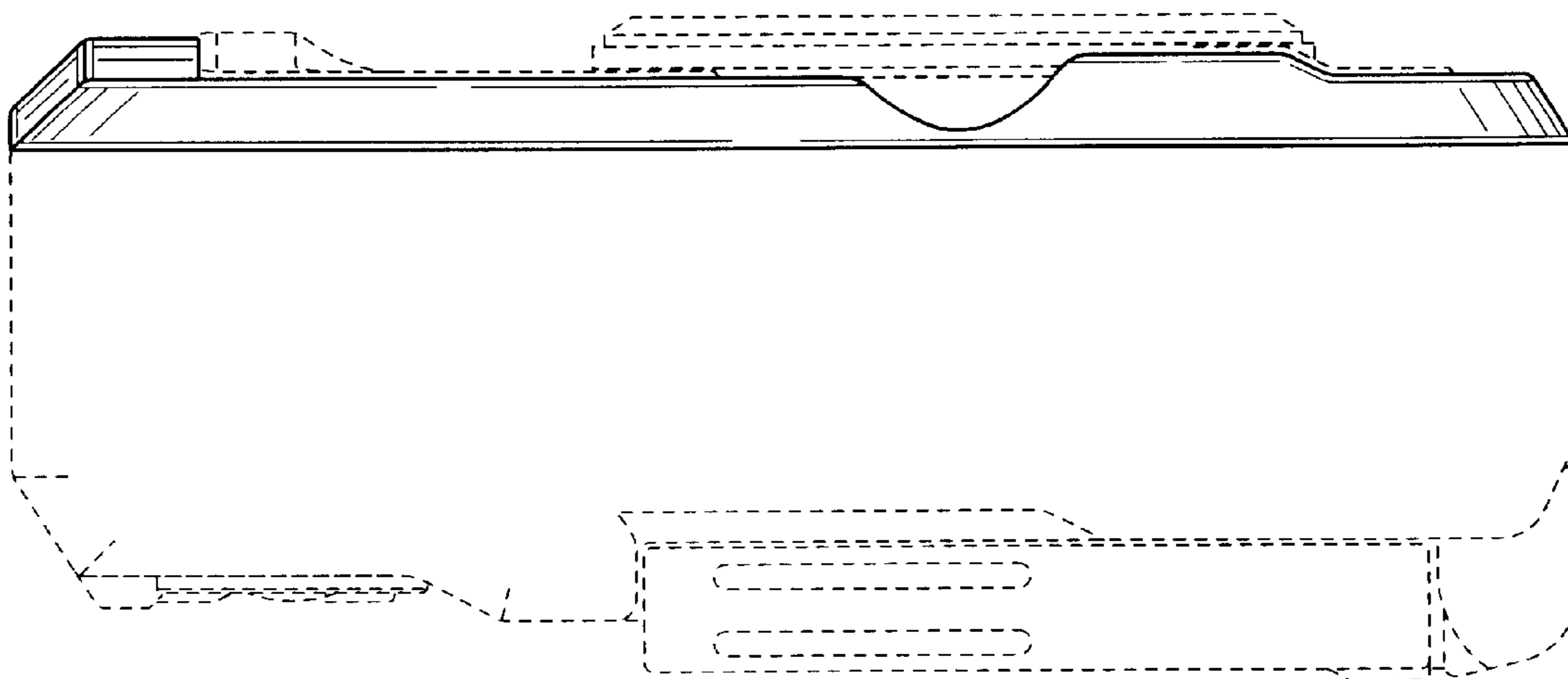


FIG. 8

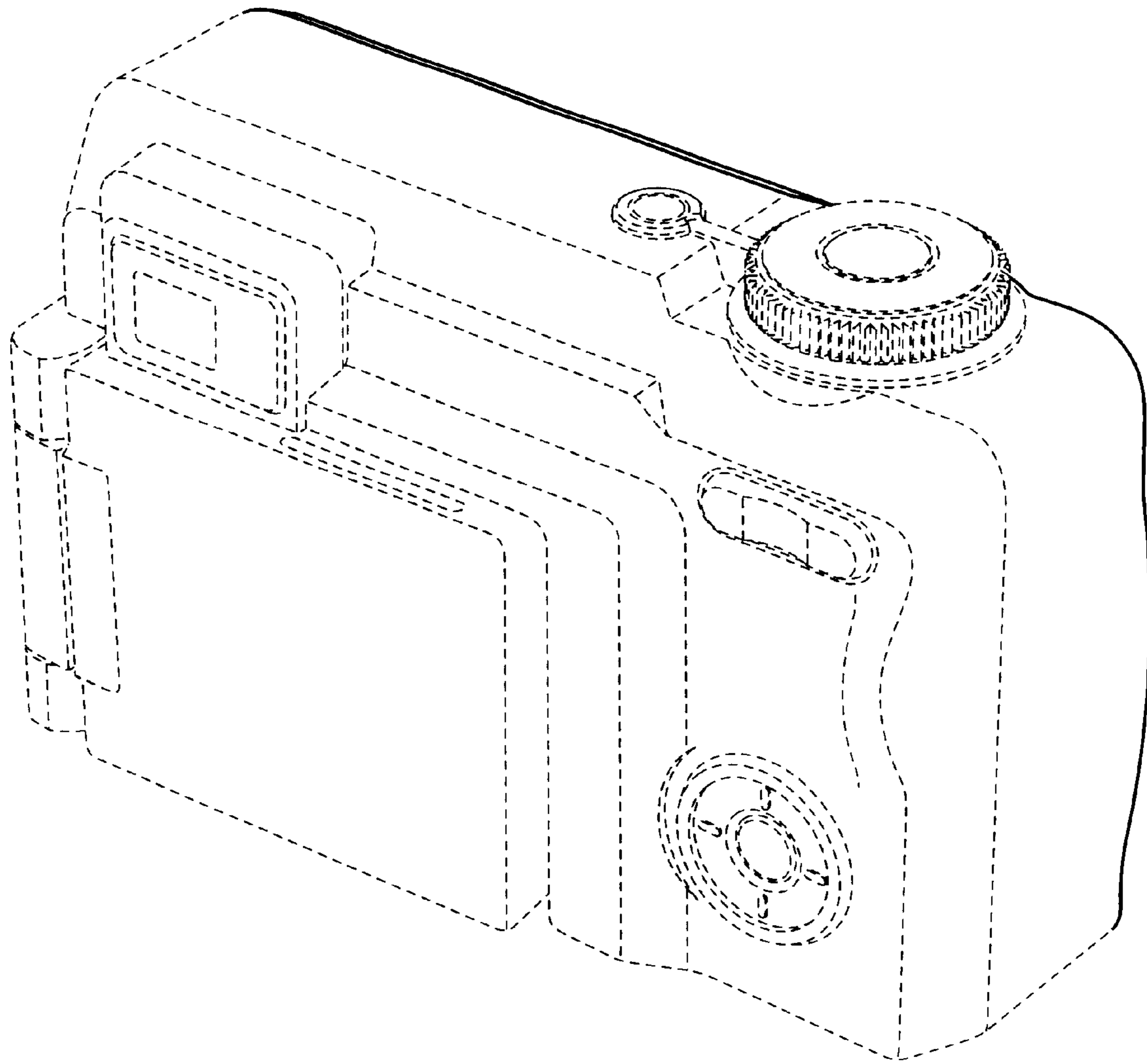


FIG. 9

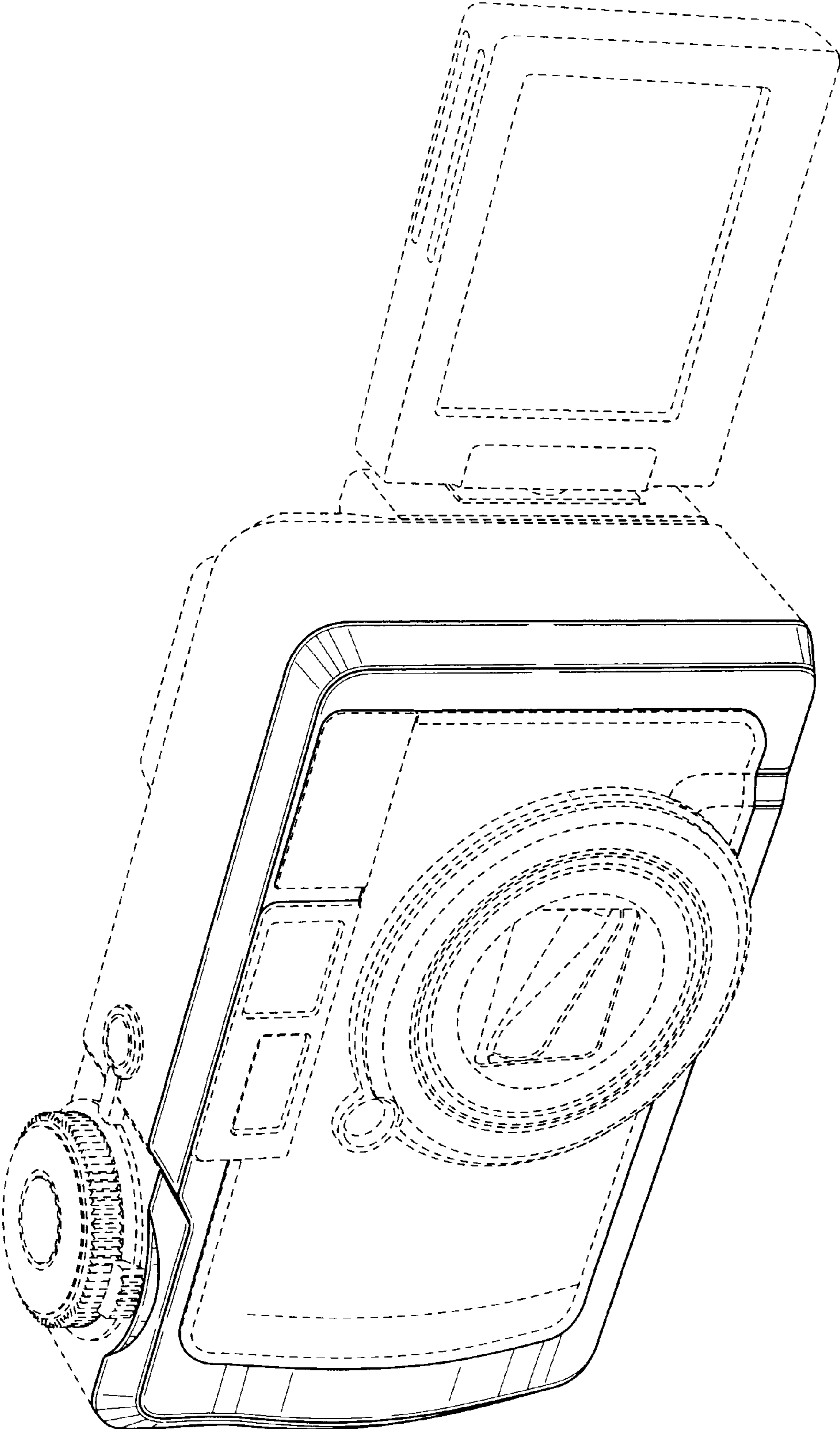


FIG. 10

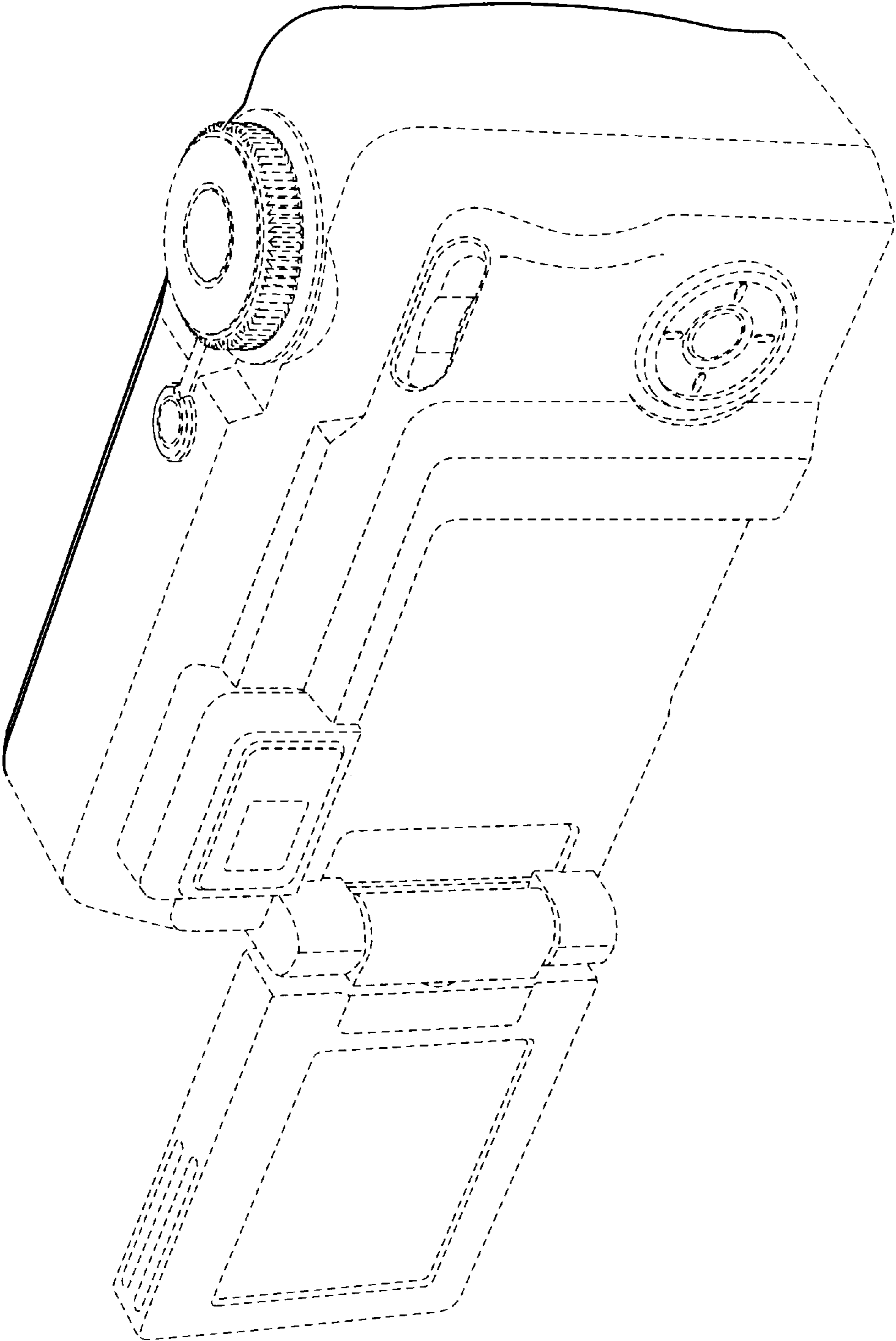


FIG. 11

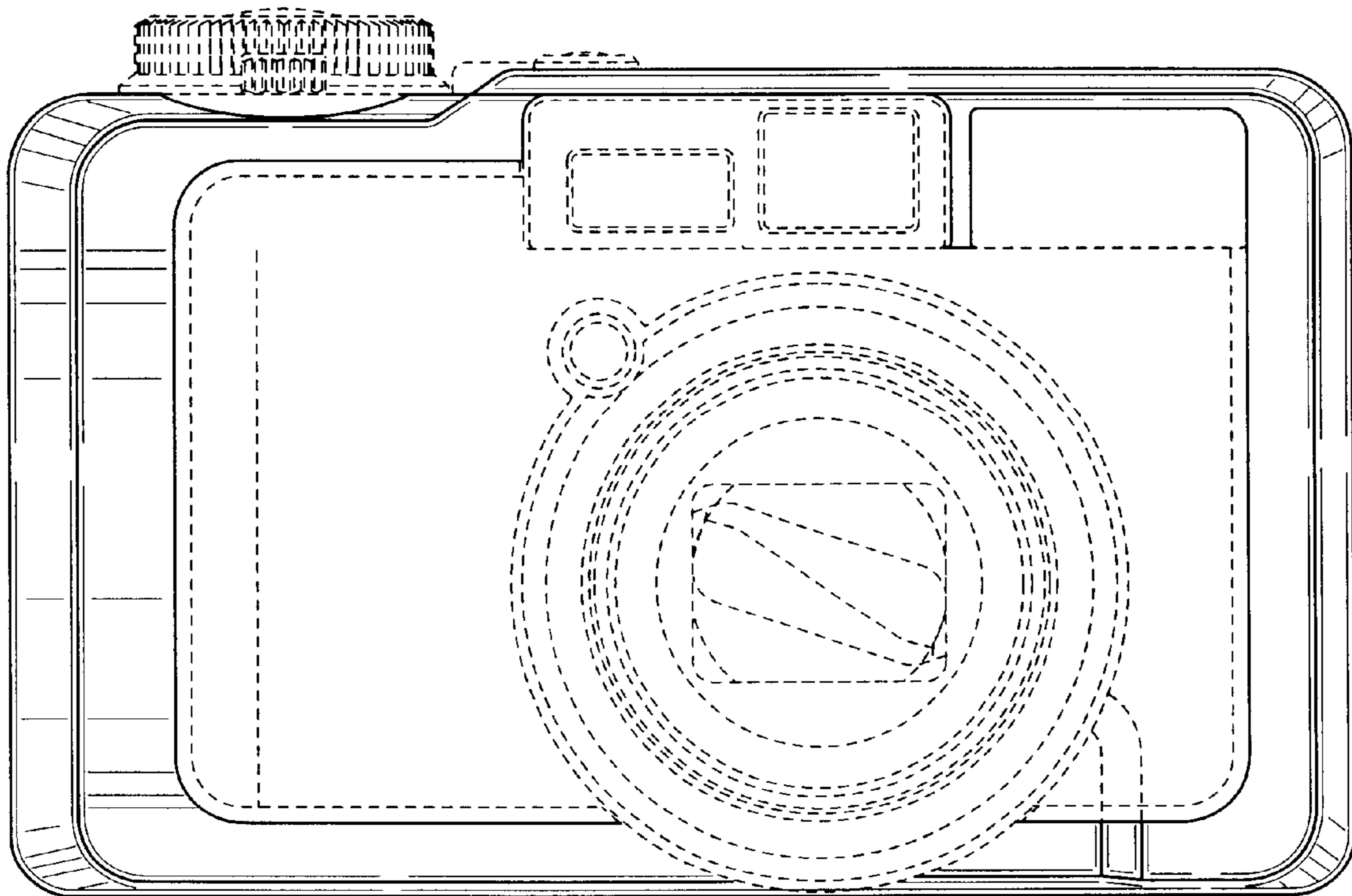


FIG. 12

