



US00D522559S

(12) **United States Design Patent**
Naito et al.

(10) **Patent No.:** **US D522,559 S**
(45) **Date of Patent:** **** Jun. 6, 2006**

(54) **VIDEO CAMERA DISPLAY**

(75) Inventors: **Nobuko Naito**, Amagasaki (JP);
Yoshinori Harada, Osaka (JP);
Masayuki Mukai, Toyonaka (JP)

(73) Assignee: **Matsushita Electric Industrial Co., Ltd.**, Osaka (JP)

(**) Term: **14 Years**

(21) Appl. No.: **29/203,579**

(22) Filed: **Apr. 16, 2004**

(30) **Foreign Application Priority Data**

Jan. 26, 2004 (JP) 2004-001741

(51) **LOC (8) Cl.** **16-05**

(52) **U.S. Cl.** **D16/219; D14/486**

(58) **Field of Classification Search** D14/435-438,
D14/485, 486, 489-491; D16/200-205, 208,
D16/218, 219; D19/9-11; 283/904; 348/373-376;
358/906, 909.1; 396/535-541

See application file for complete search history.

(56) **References Cited**

U.S. PATENT DOCUMENTS

4,728,377	A	*	3/1988	Gallagher	283/904
D305,887	S	*	2/1990	Nishimura	D14/436
D398,000	S	*	9/1998	Cappa et al.	D14/489
D436,991	S	*	1/2001	Morgante	D19/9
D461,477	S	*	8/2002	Pentz	D14/436
D472,902	S	*	4/2003	Nashida et al.	D14/491
D482,379	S	*	11/2003	Utsunomiya	D16/219

FOREIGN PATENT DOCUMENTS

JP	D1148133	7/2002
JP	D1177972	6/2003
JP	D1178189	6/2003
JP	D1186472	9/2003
JP	D1186486	9/2003

OTHER PUBLICATIONS

Copy of Video Camera issued by Sony Corporation on Dec., 2003.

* cited by examiner

Primary Examiner—Adir Aronovich

(74) *Attorney, Agent, or Firm*—Brinks Hofer Gilson & Lione

(57) **CLAIM**

We claim the ornamental design for a video camera display, as shown and described.

DESCRIPTION

FIG. 1 is a top front perspective view of a first embodiment of a video camera display of the present invention in an open position;

FIG. 2 is a front view thereof;

FIG. 3 is a rear view thereof;

FIG. 4 is a top view thereof;

FIG. 5 is a bottom view thereof;

FIG. 6 is a first side view thereof;

FIG. 7 is a second side view thereof;

FIG. 8 is a top rear perspective view thereof;

FIG. 9 is a top rear perspective view of a video camera display of the present invention in a closed position;

FIG. 10 is the video camera display shown in FIG. 1 without showing the environmental structure;

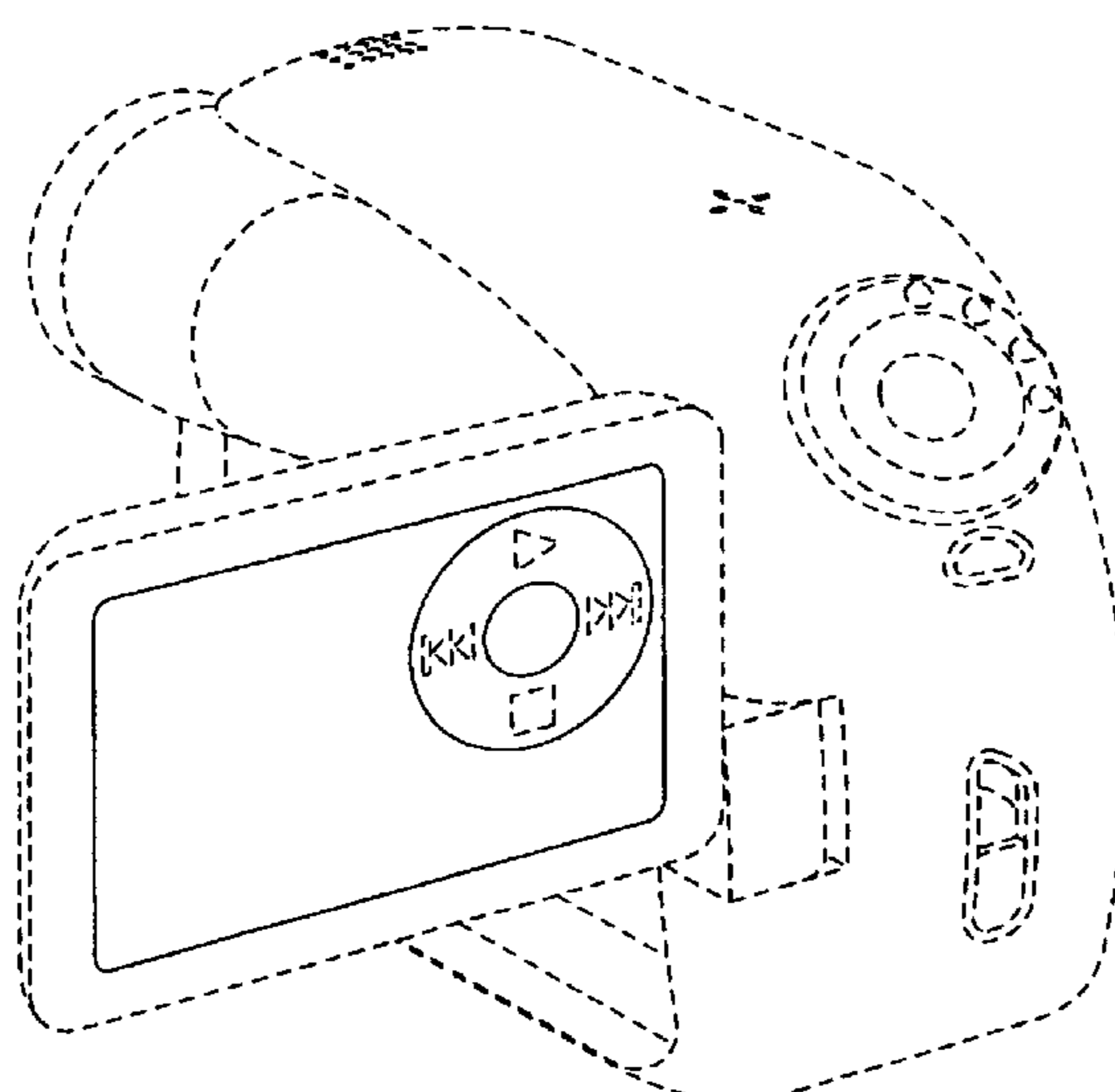
FIG. 11 is a second embodiment of the video camera display of the present invention;

FIG. 12 is a third embodiment of the video camera display of the present invention; and,

FIG. 13 is a fourth embodiment of the video camera display of the present invention.

The ornamental design which is claimed is shown in solid lines in the drawings. The broken lines showing the environmental structure in FIGS. 1-9 are for illustrative purposes only and form no part of the claimed design.

1 Claim, 10 Drawing Sheets



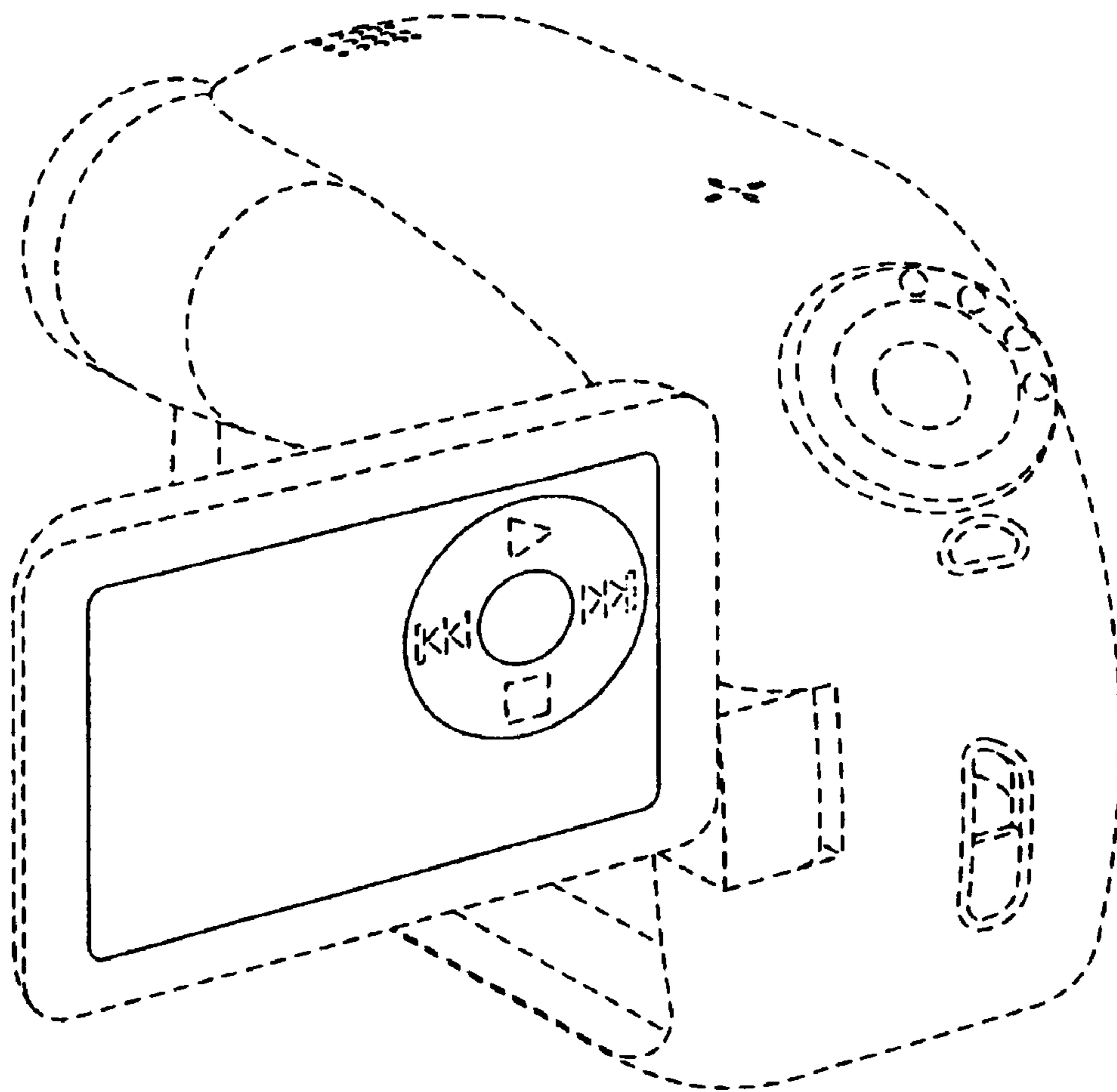


FIG. 1

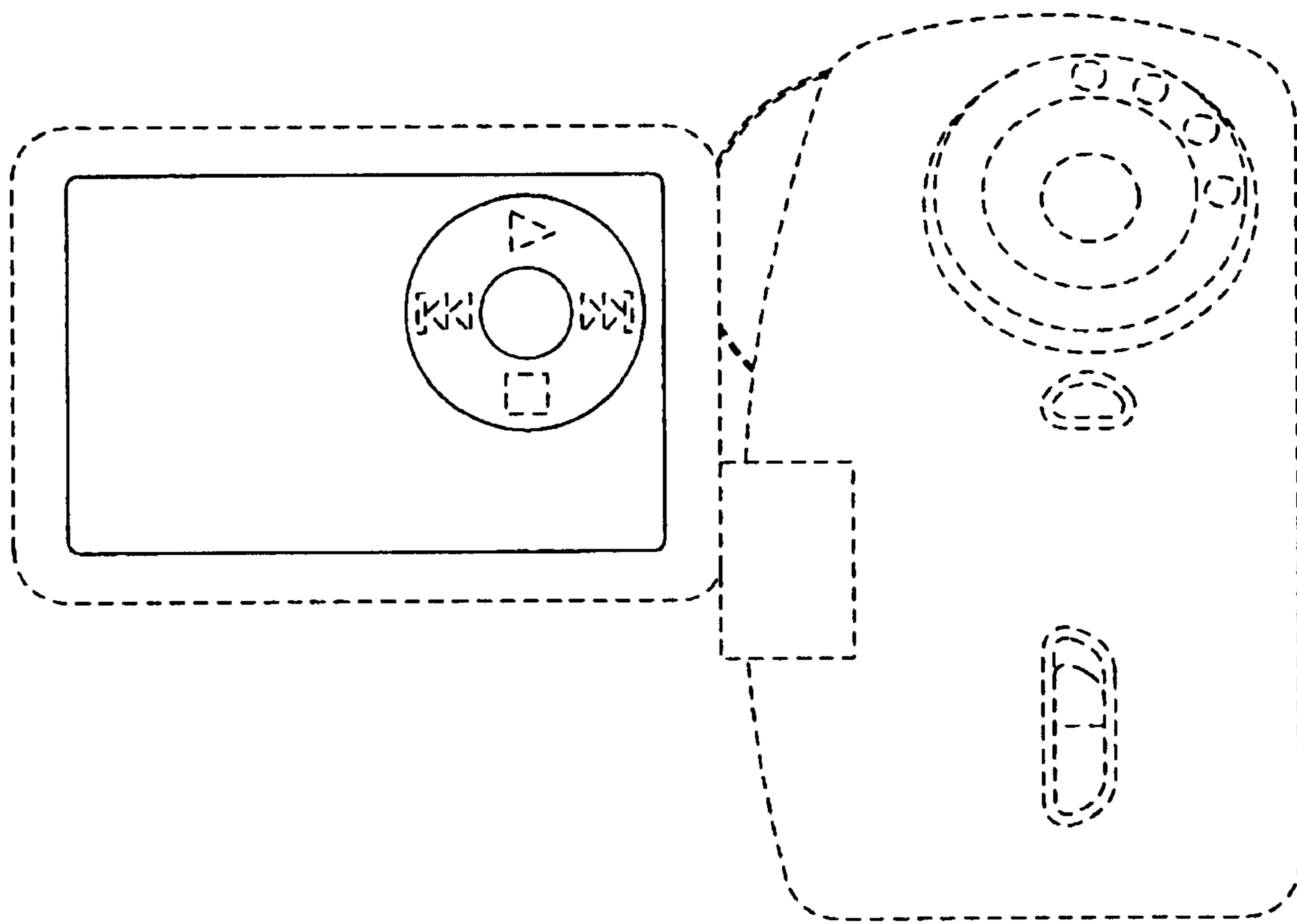


FIG. 2

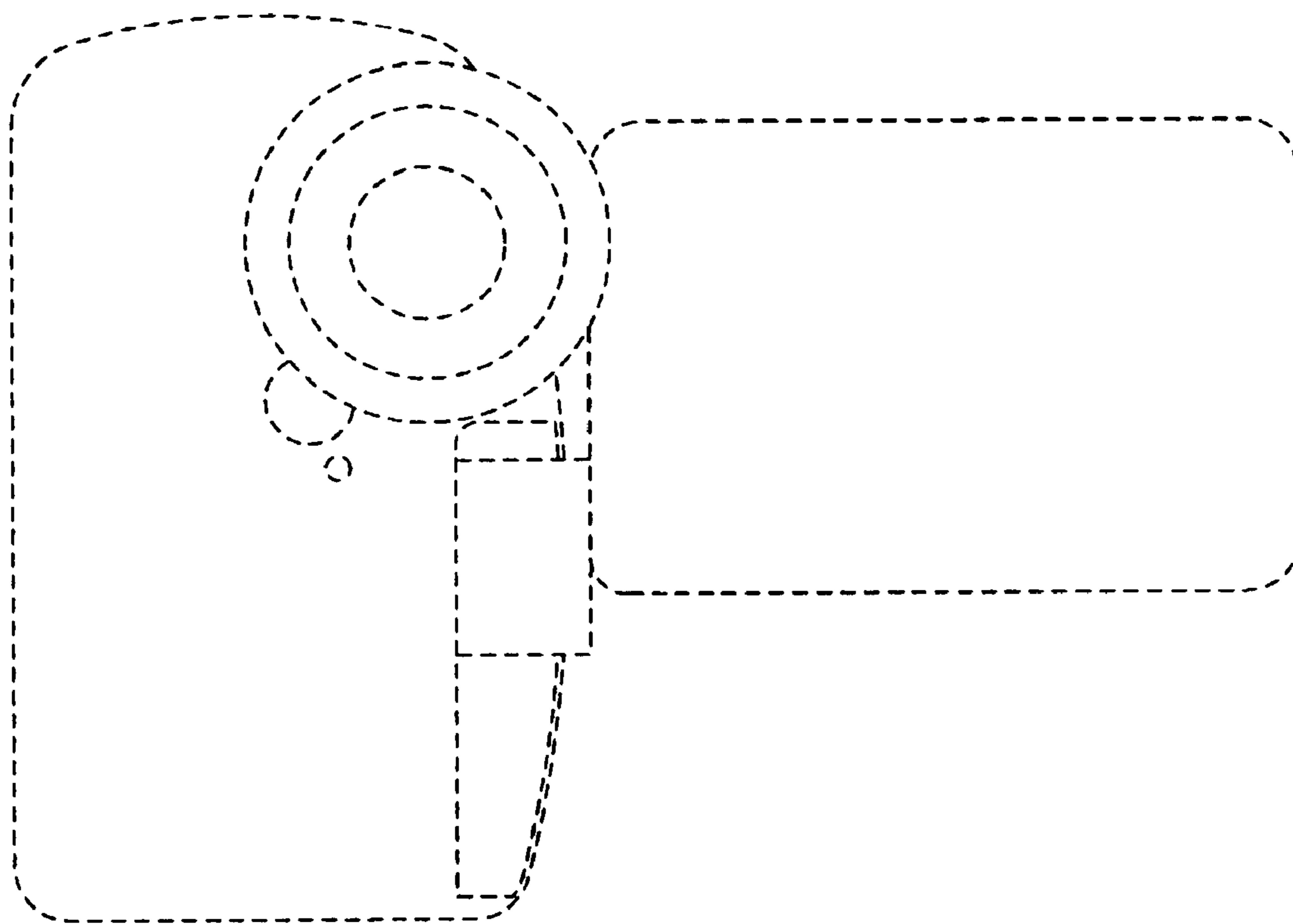


FIG. 3

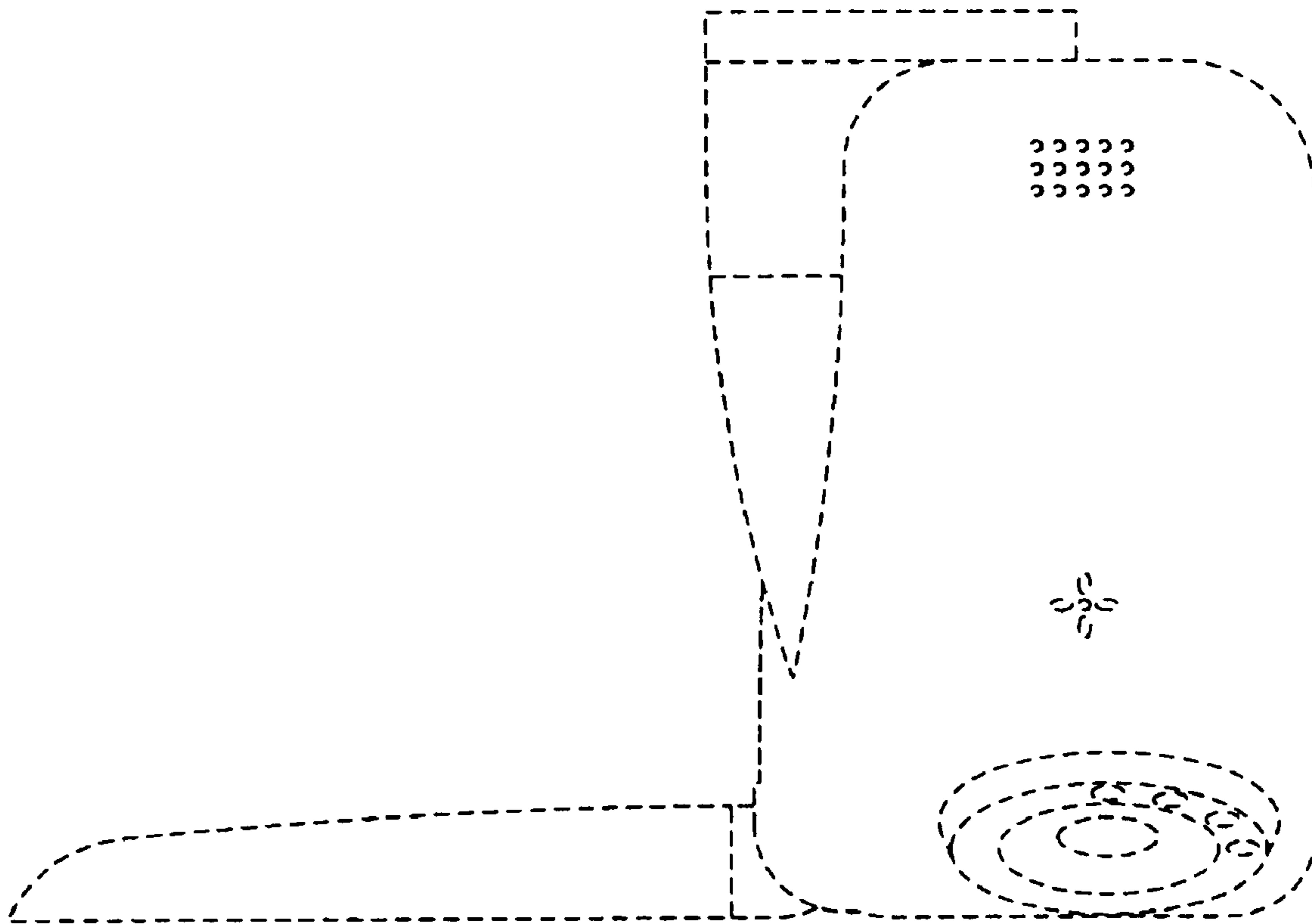


FIG. 4

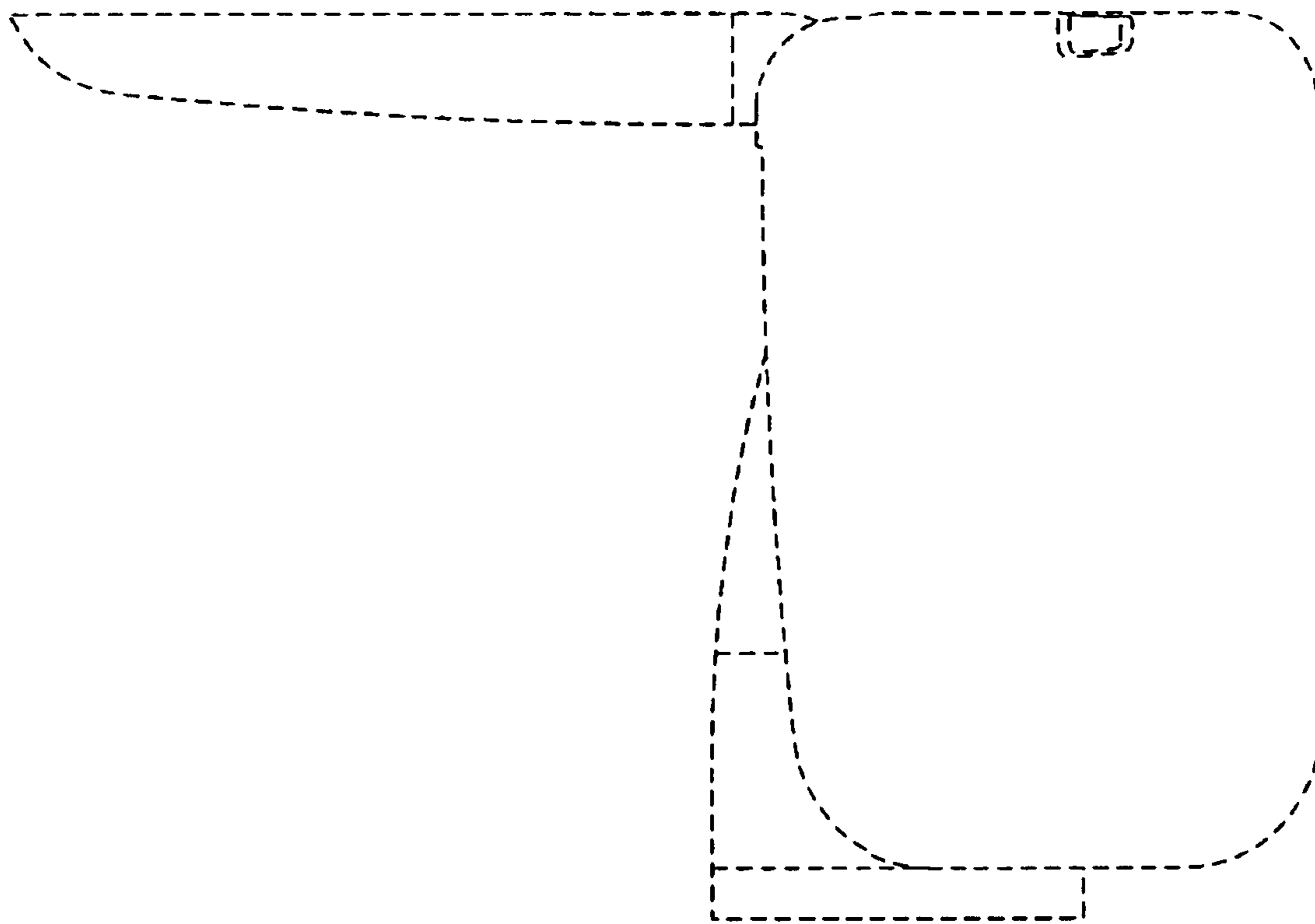


FIG. 5

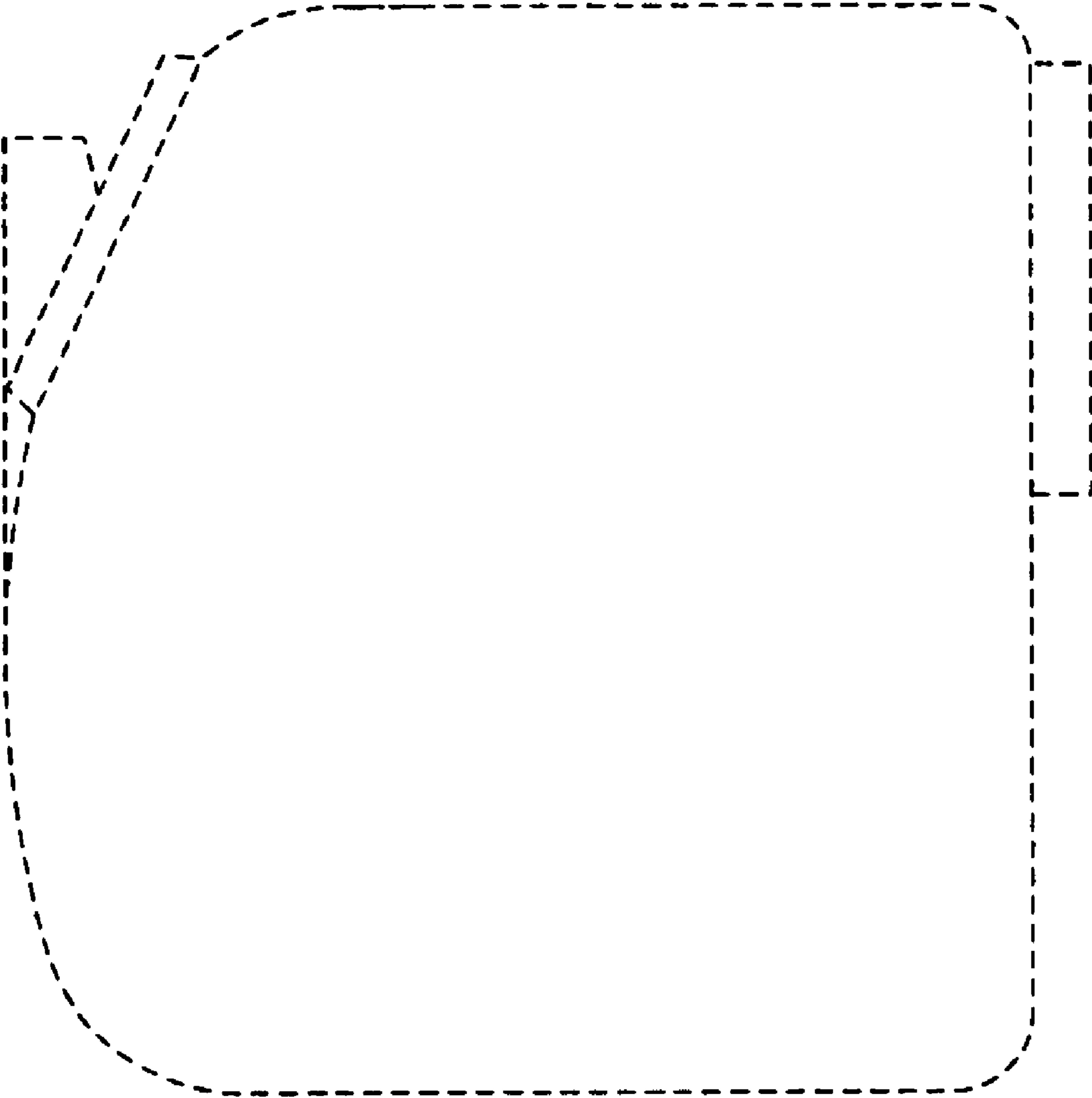


FIG. 6

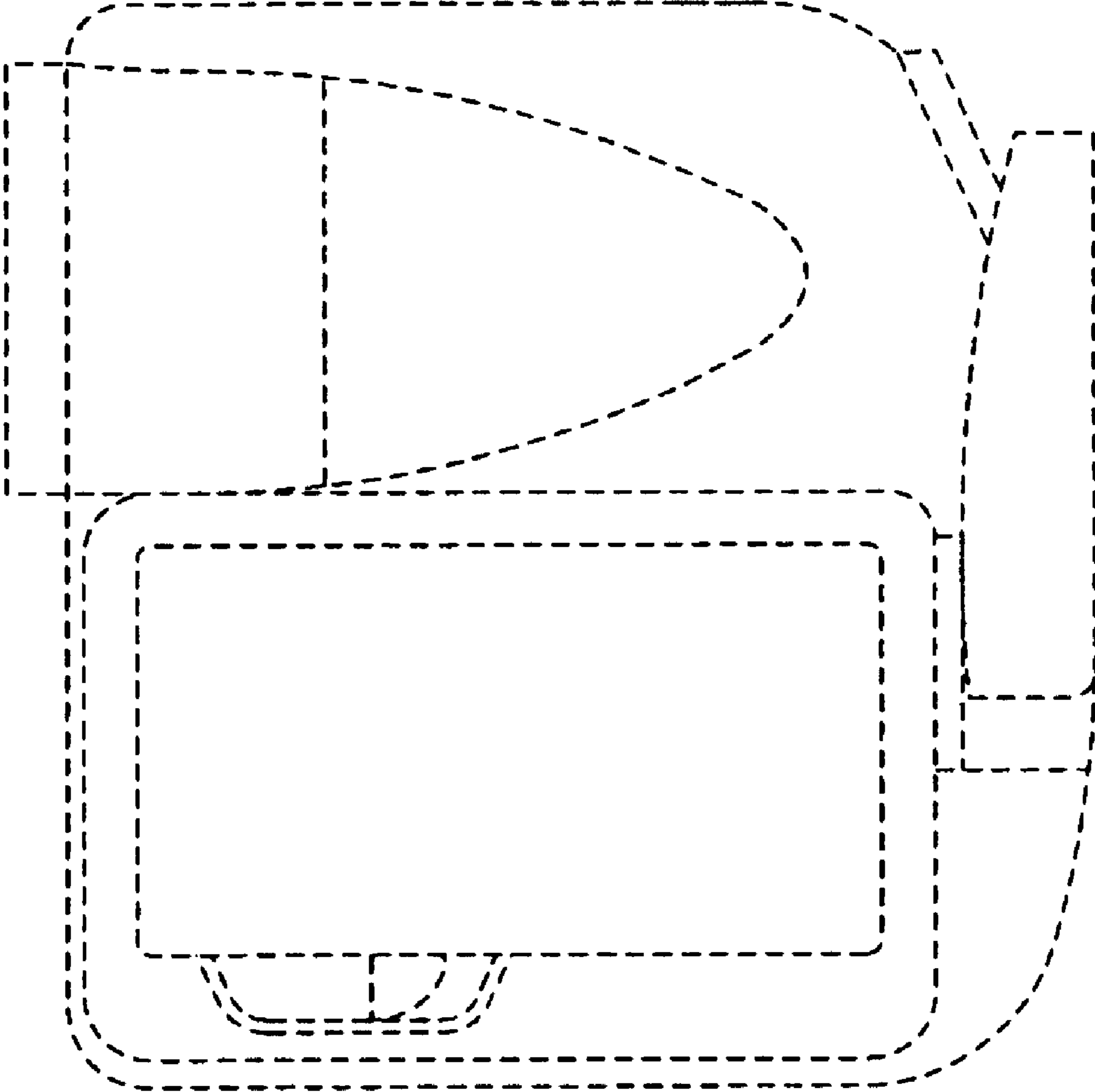


FIG. 7

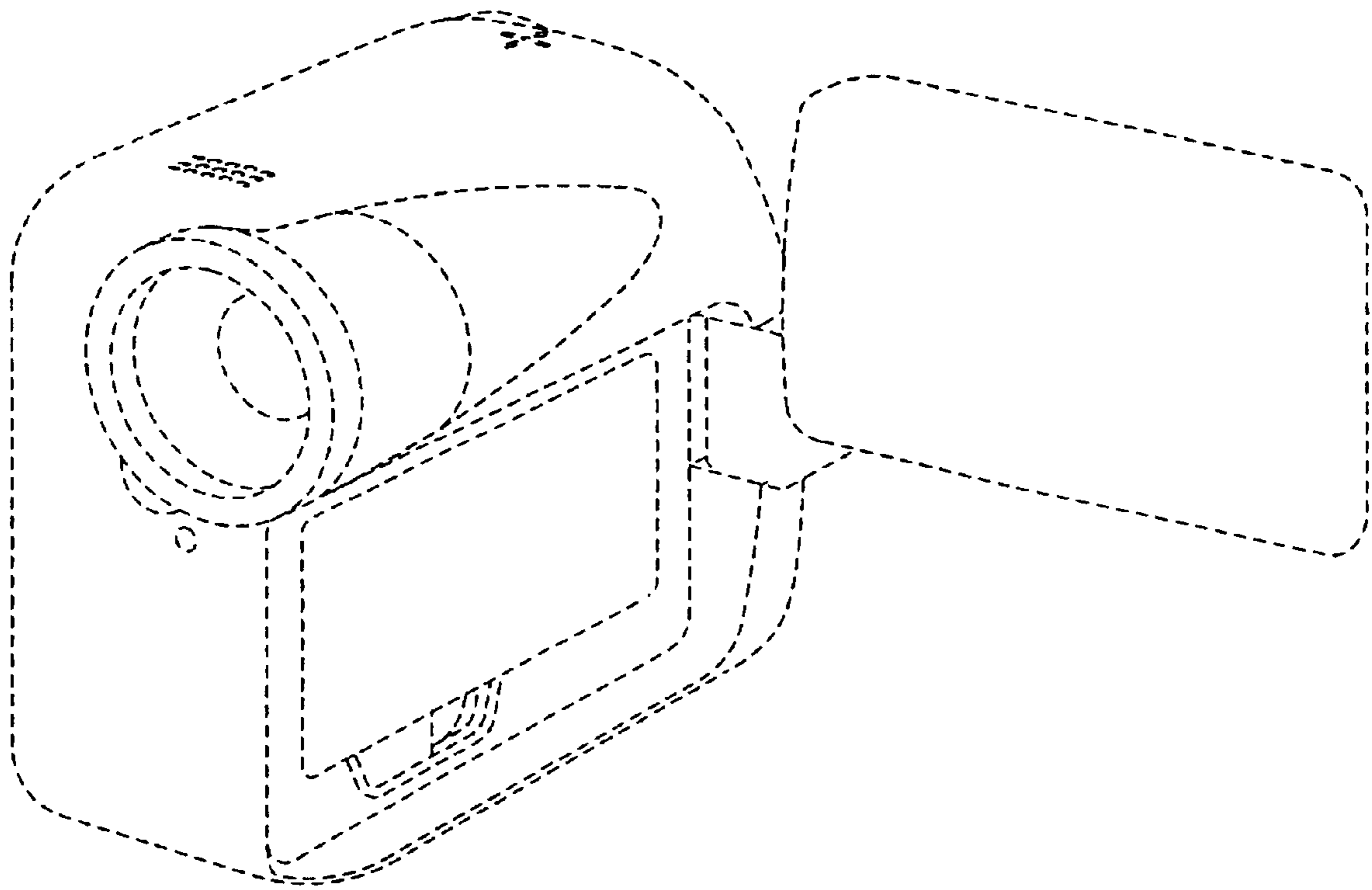


FIG. 8

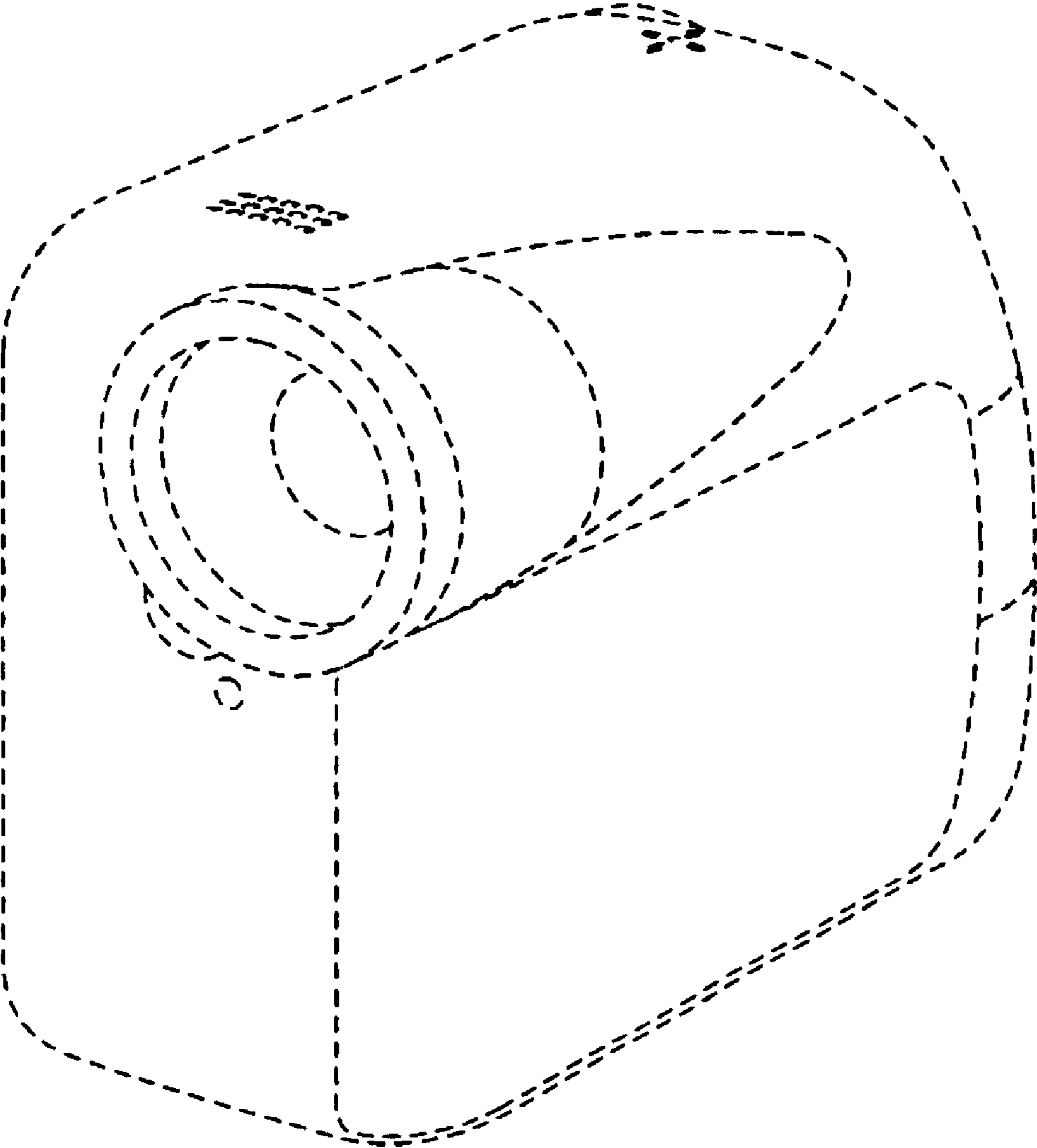


FIG. 9

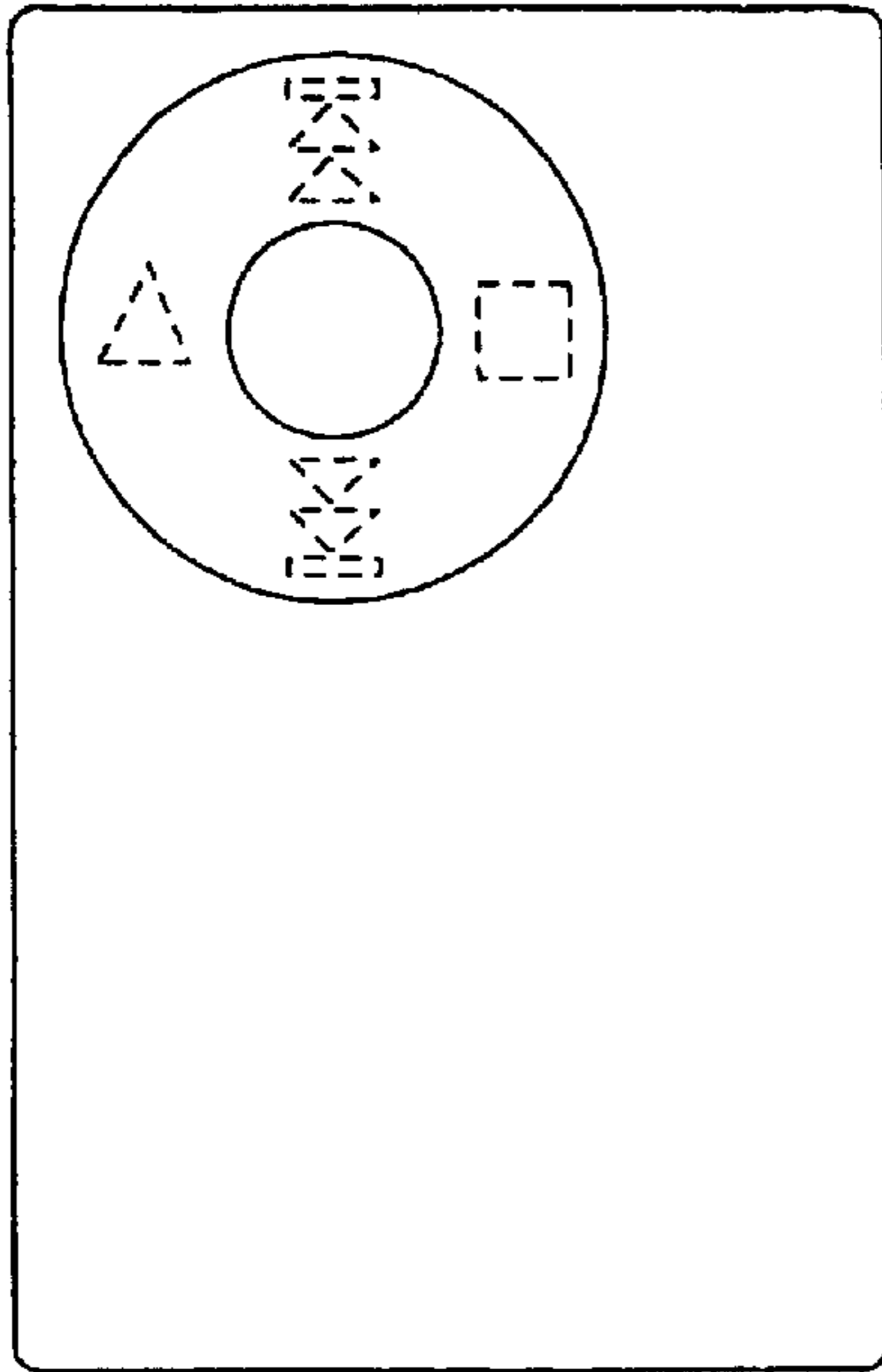


FIG. 10

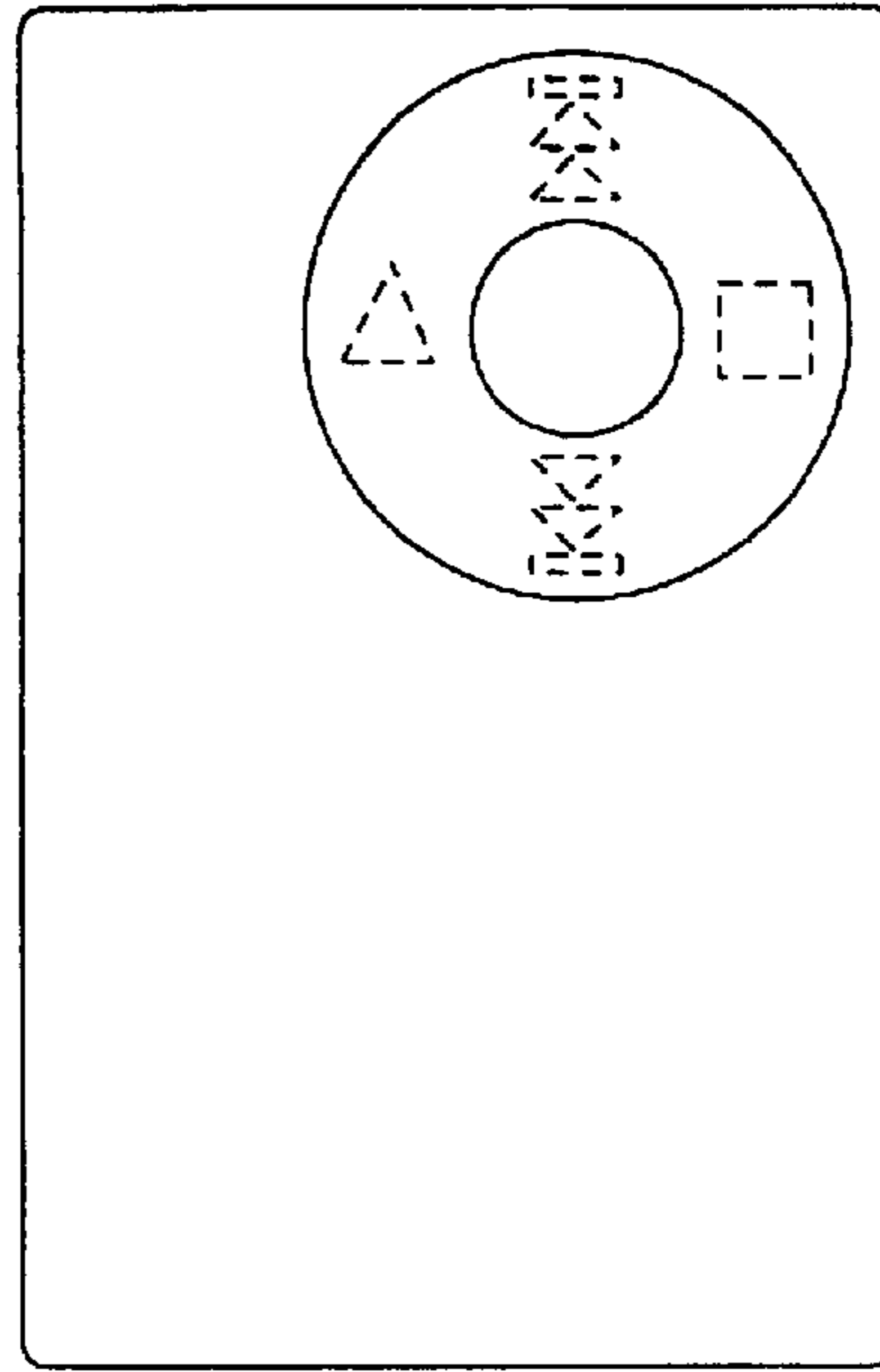


FIG. 11

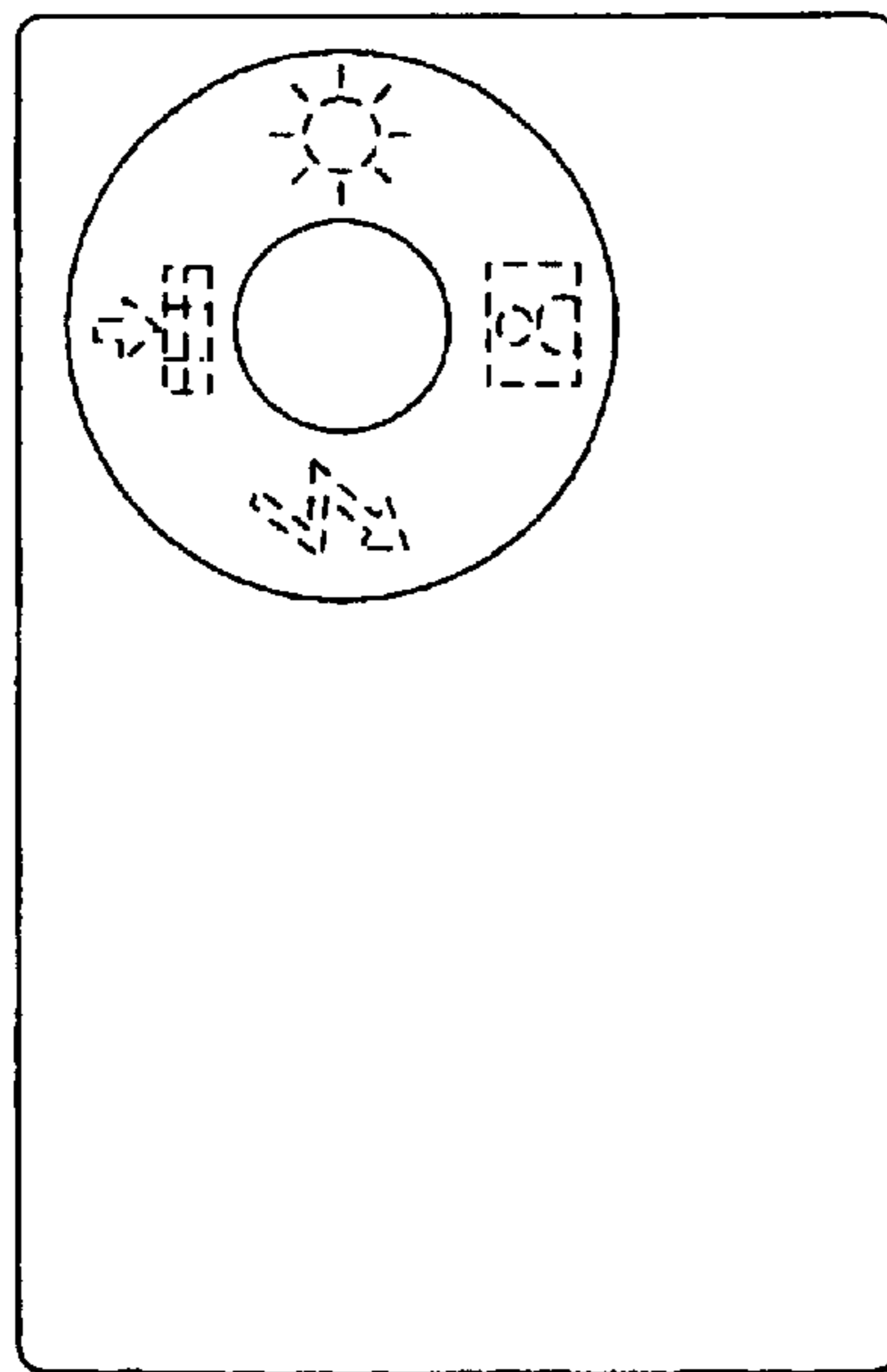


FIG. 13

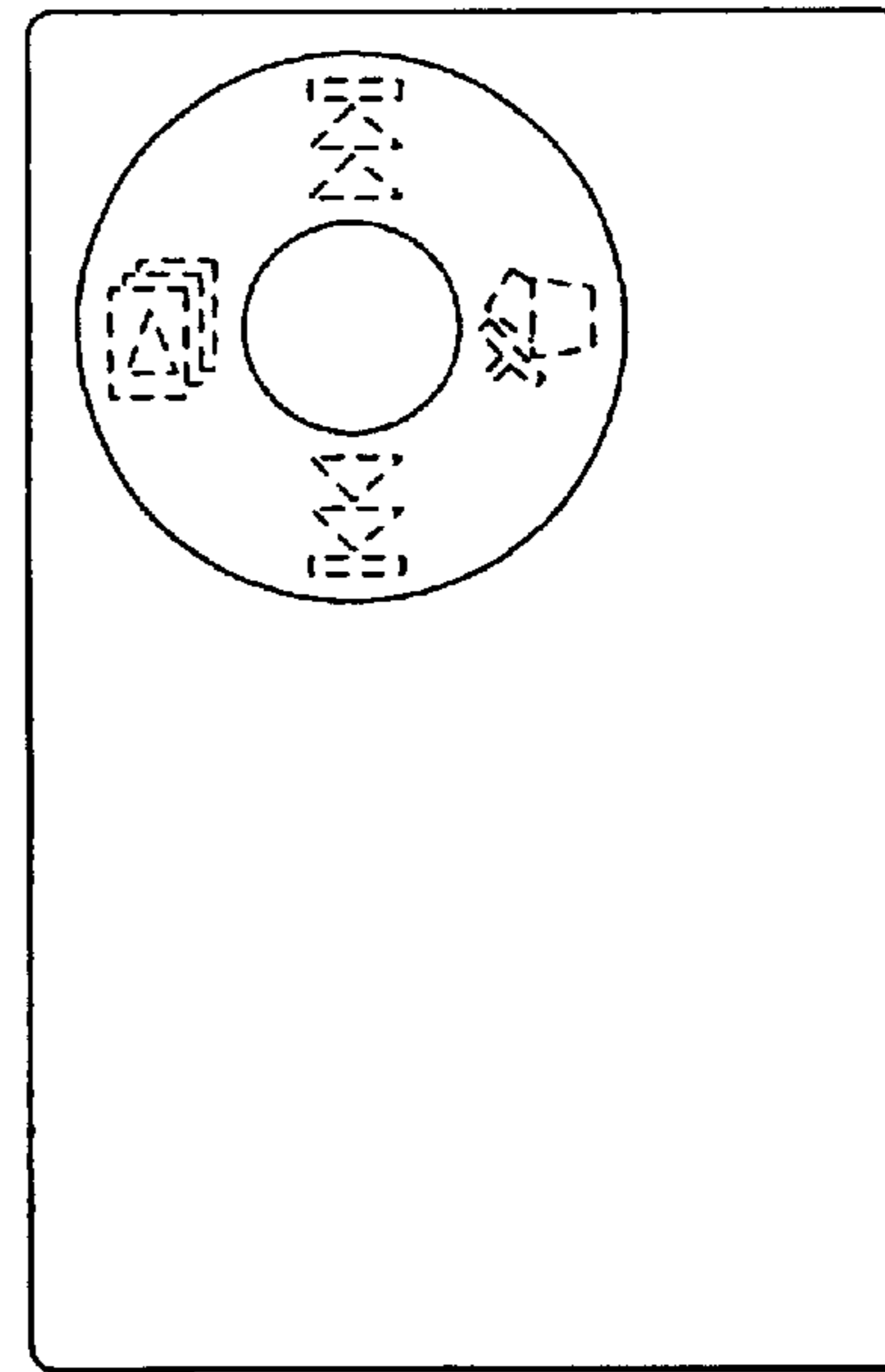


FIG. 12