



US00D522558S

(12) **United States Design Patent**
Murray

(10) **Patent No.:** **US D522,558 S**
(45) **Date of Patent:** **** Jun. 6, 2006**

(54) **CAMERA**

(75) Inventor: **Joshua Murray**, Malmö (SE)

(73) Assignee: **Sony Ericsson Mobile Communications, AB** (SE)

(**) Term: **14 Years**

(21) Appl. No.: **29/196,846**

(22) Filed: **Jan. 6, 2004**

(30) **Foreign Application Priority Data**

Jul. 9, 2003 (EM) 49556

(51) **LOC (8) Cl.** **16-01**

(52) **U.S. Cl.** **D16/212; D16/218**

(58) **Field of Classification Search** D14/130,
D14/144, 240; D16/202-205, 208, 218; 348/14.01-14.1,
348/373-375; 358/909.1; 396/535-541
See application file for complete search history.

(56) **References Cited**

U.S. PATENT DOCUMENTS

D263,056 S	*	2/1982	Hattori	D16/212
D470,523 S	*	2/2003	Basmdjian et al.	D16/212
D479,550 S	*	9/2003	Shao et al.	D16/218
D490,457 S	*	5/2004	Kimbre	D16/208
D494,201 S	*	8/2004	Chen	D16/202
D500,777 S	*	1/2005	Basmdjian et al.	D16/212

* cited by examiner

Primary Examiner—Adir Aronovich

(74) *Attorney, Agent, or Firm*—Myers Bigel Sibley & Sajovec, PA

(57) **CLAIM**

The ornamental design for a camera, as shown and described.

DESCRIPTION

FIG. 1 is a front view of a camera with a closed housing showing my design;

FIG. 2 is a rear view thereof;

FIG. 3 is a first side view thereof;

FIG. 4 is an opposing side view thereof;

FIG. 5 is a bottom view thereof;

FIG. 6 is a top view thereof;

FIG. 7 is a rear perspective view thereof;

FIG. 8 is a front view of the camera of FIG. 1 with an opened housing;

FIG. 9 is a rear view thereof;

FIG. 10 is a first side view thereof;

FIG. 11 is an opposing side view thereof;

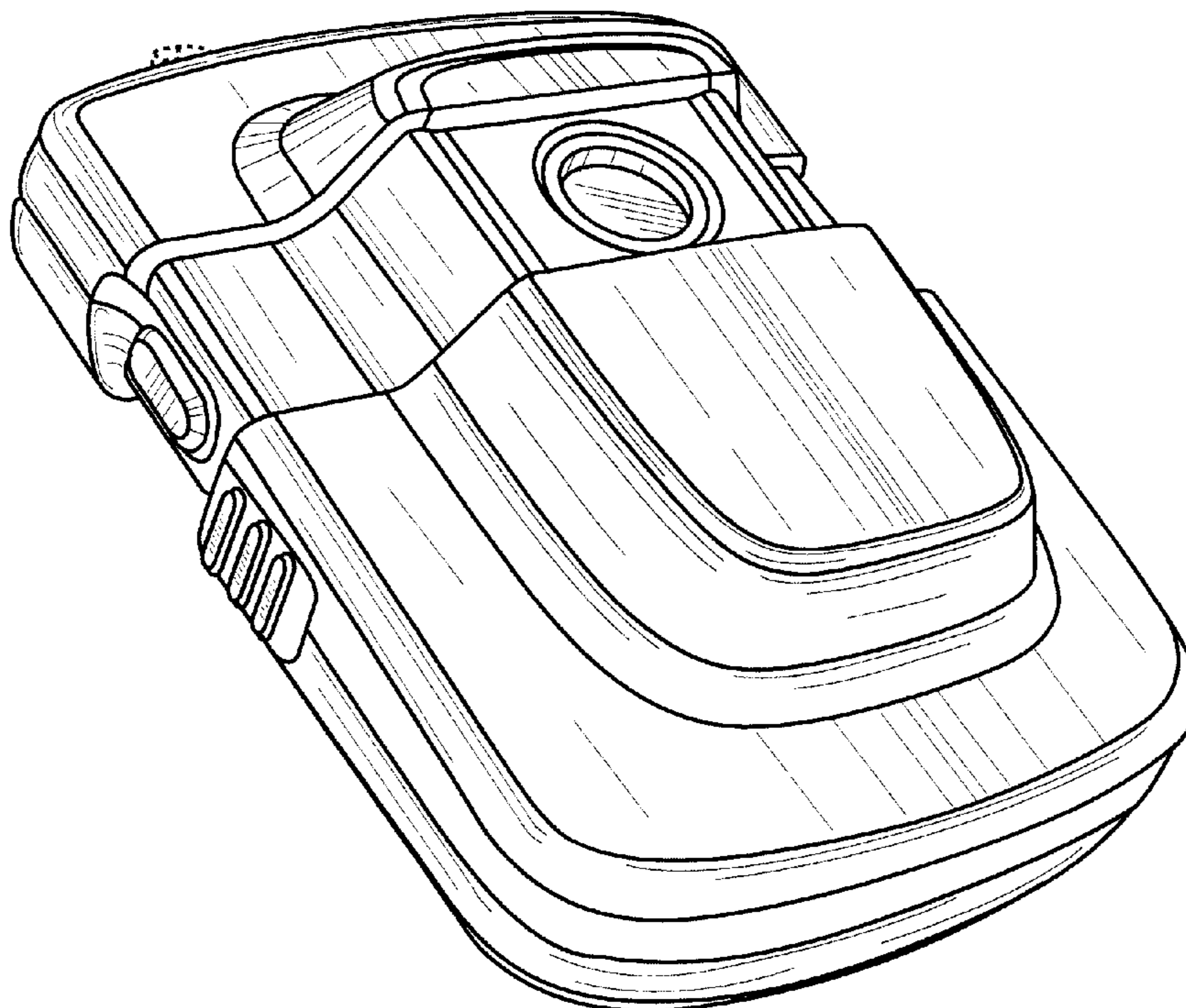
FIG. 12 is a bottom view thereof;

FIG. 13 is a top view thereof; and,

FIG. 14 is a front perspective view thereof.

The portions of the camera in broken lines illustrating additional features are for environmental purposes only and form no part of the claimed design.

1 Claim, 7 Drawing Sheets



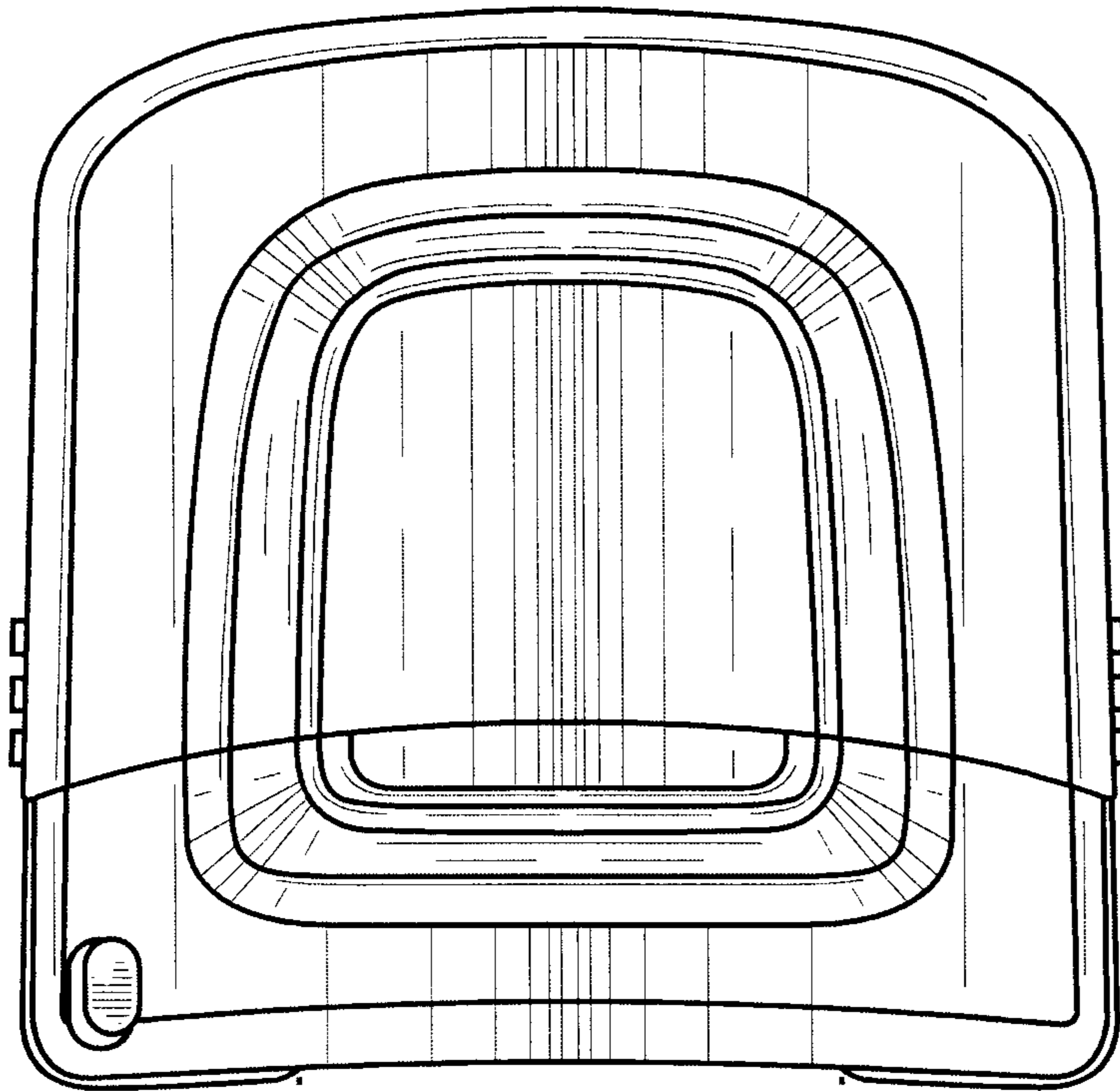


Figure 1

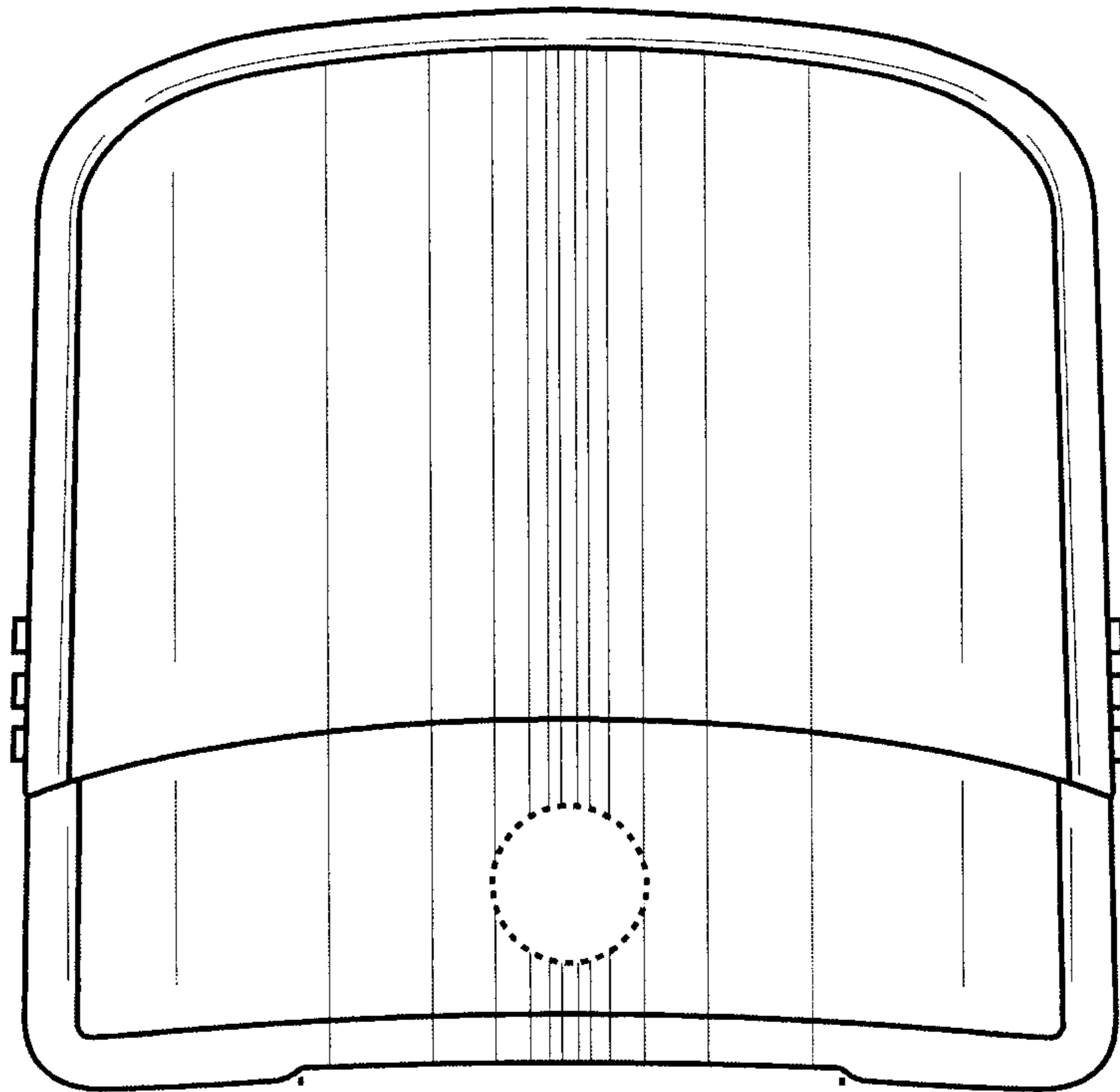


Figure 2

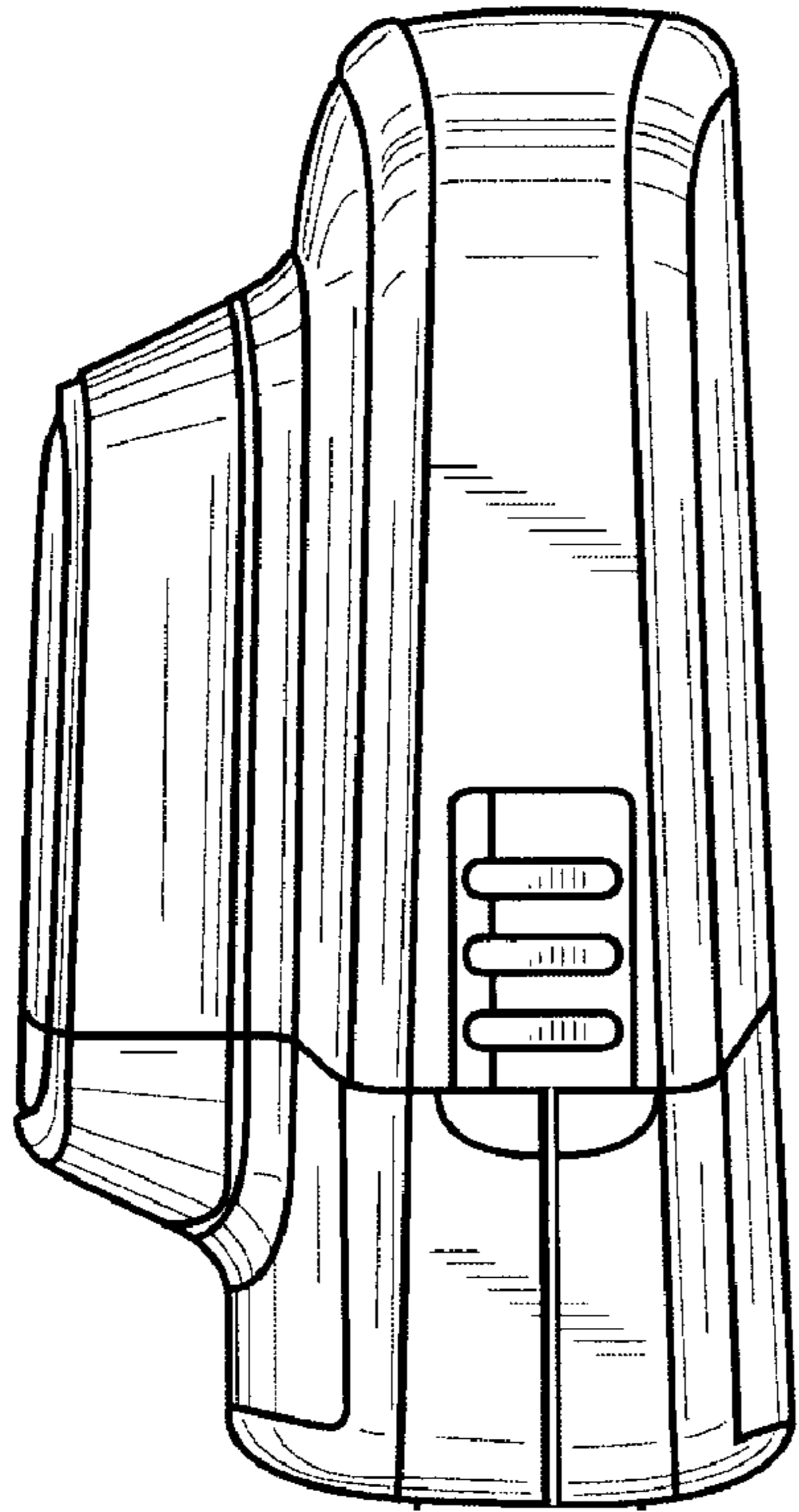


Figure 3

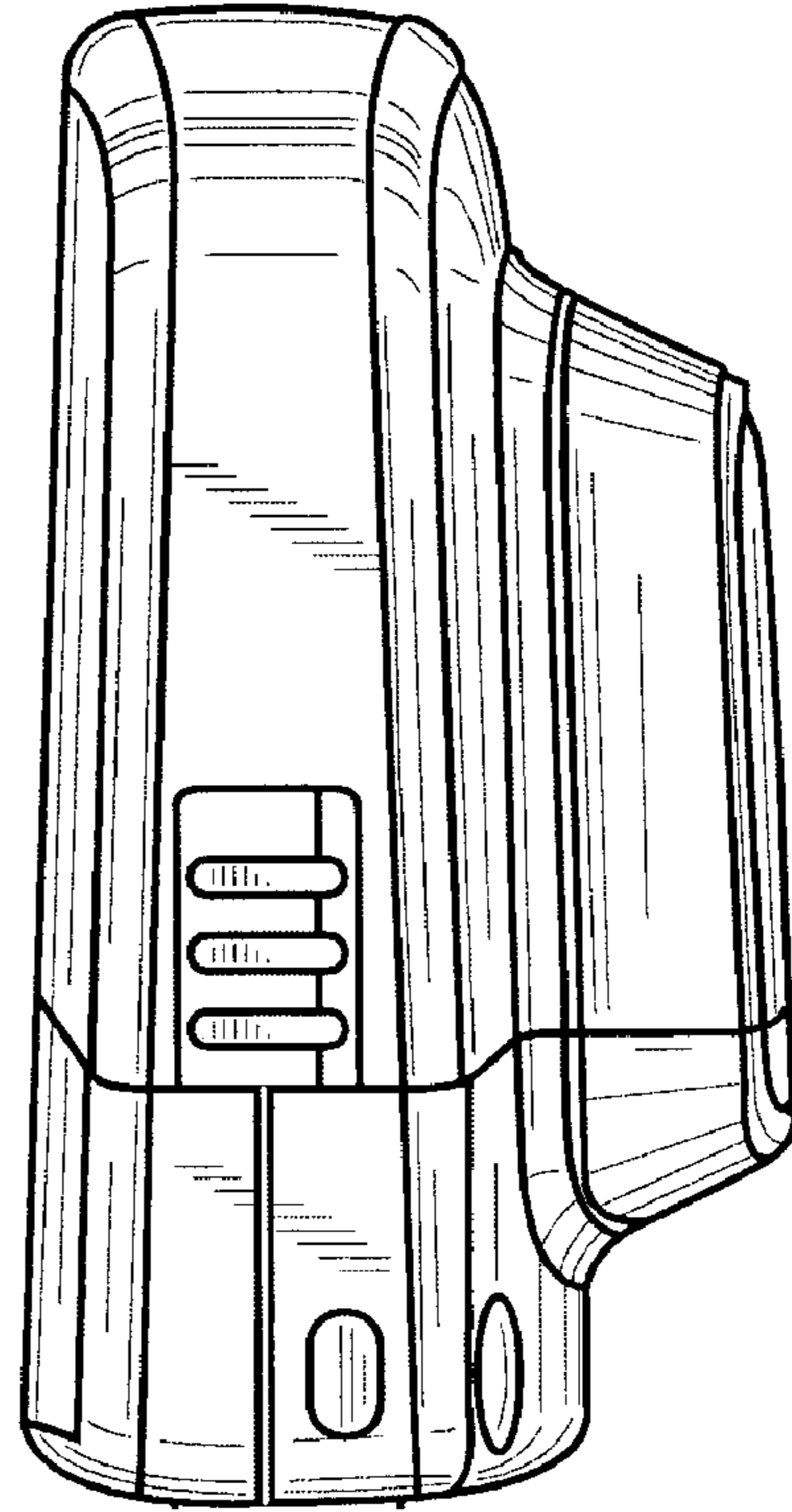


Figure 4

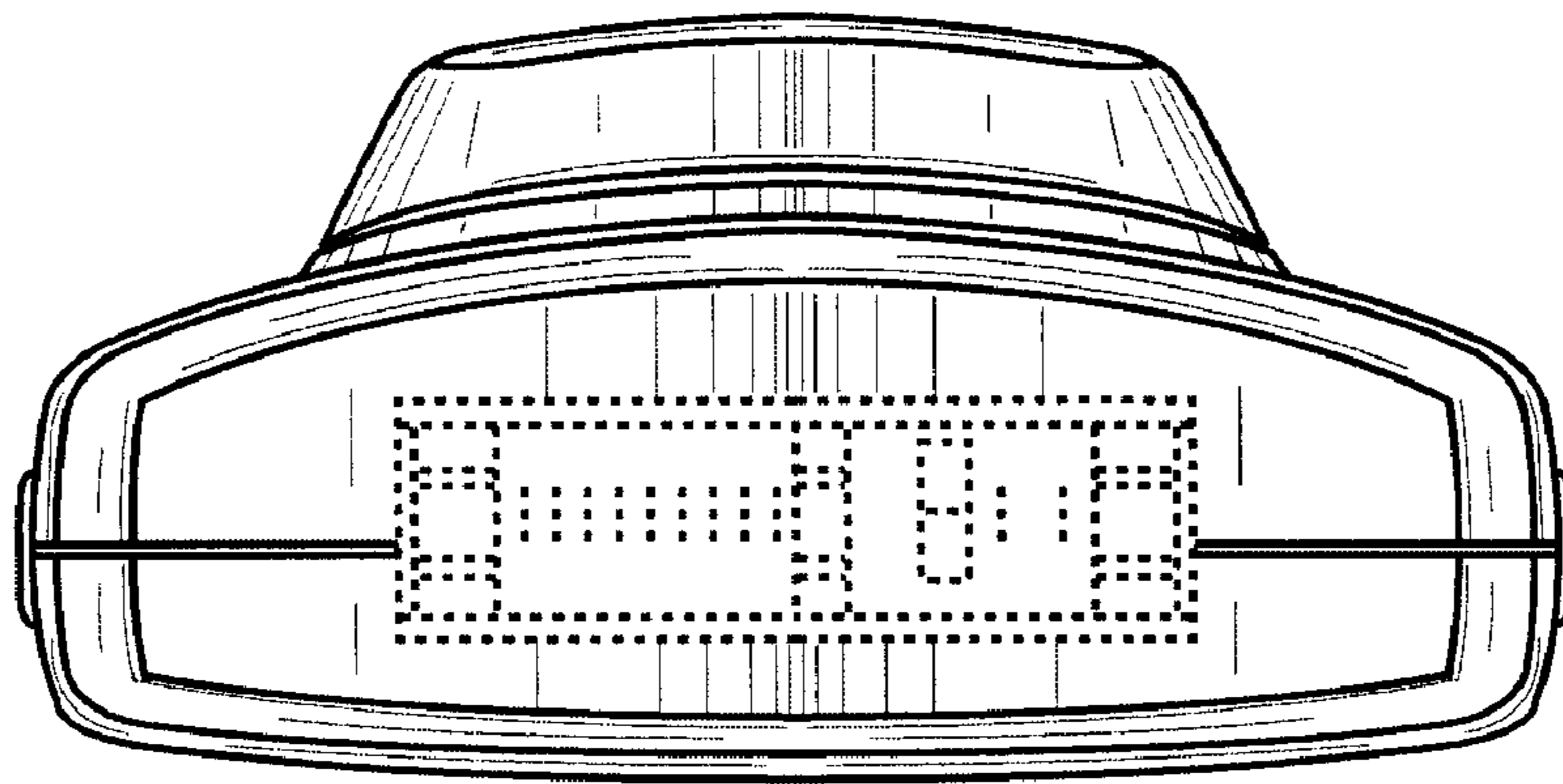


Figure 5

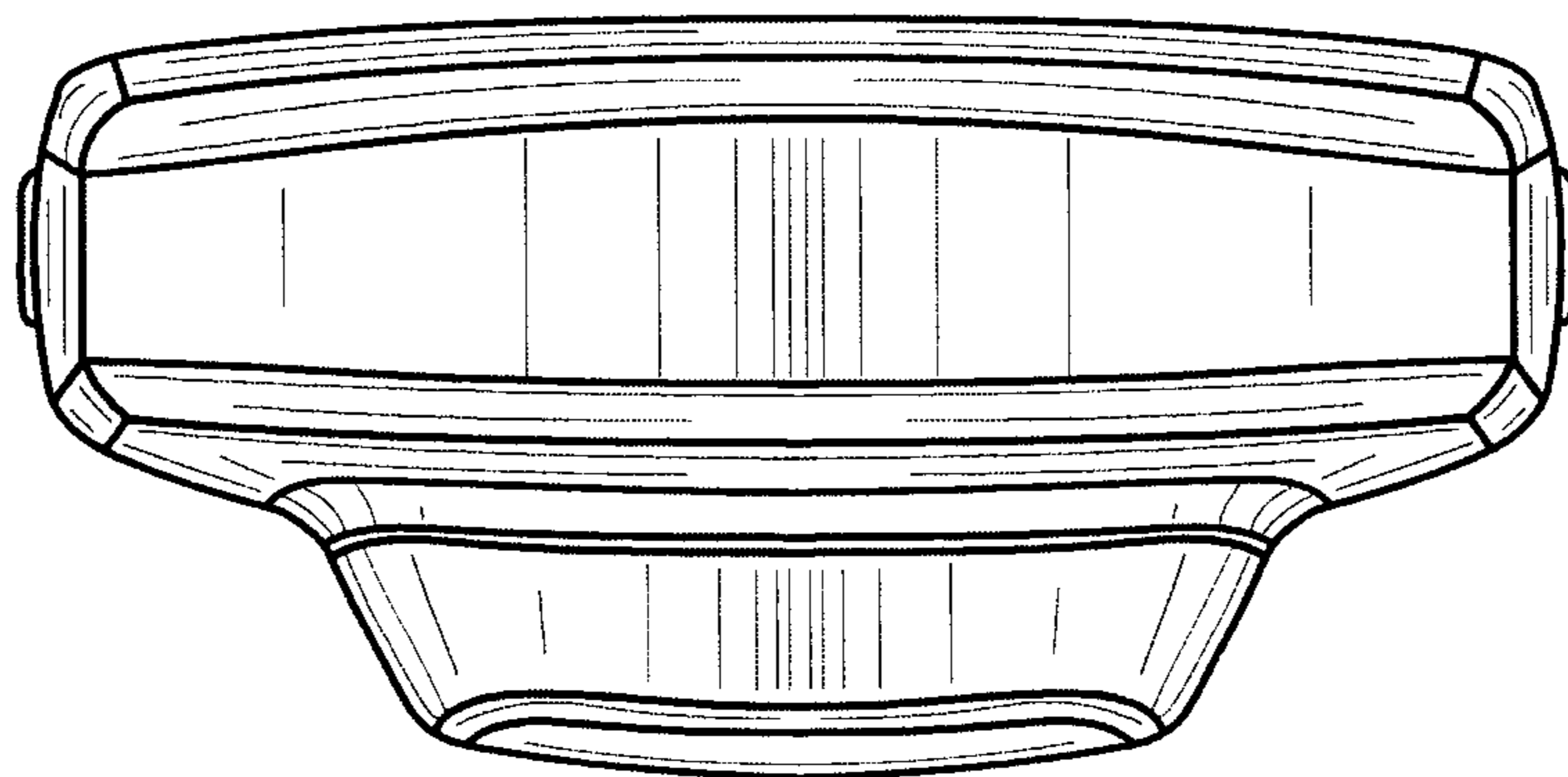


Figure 6

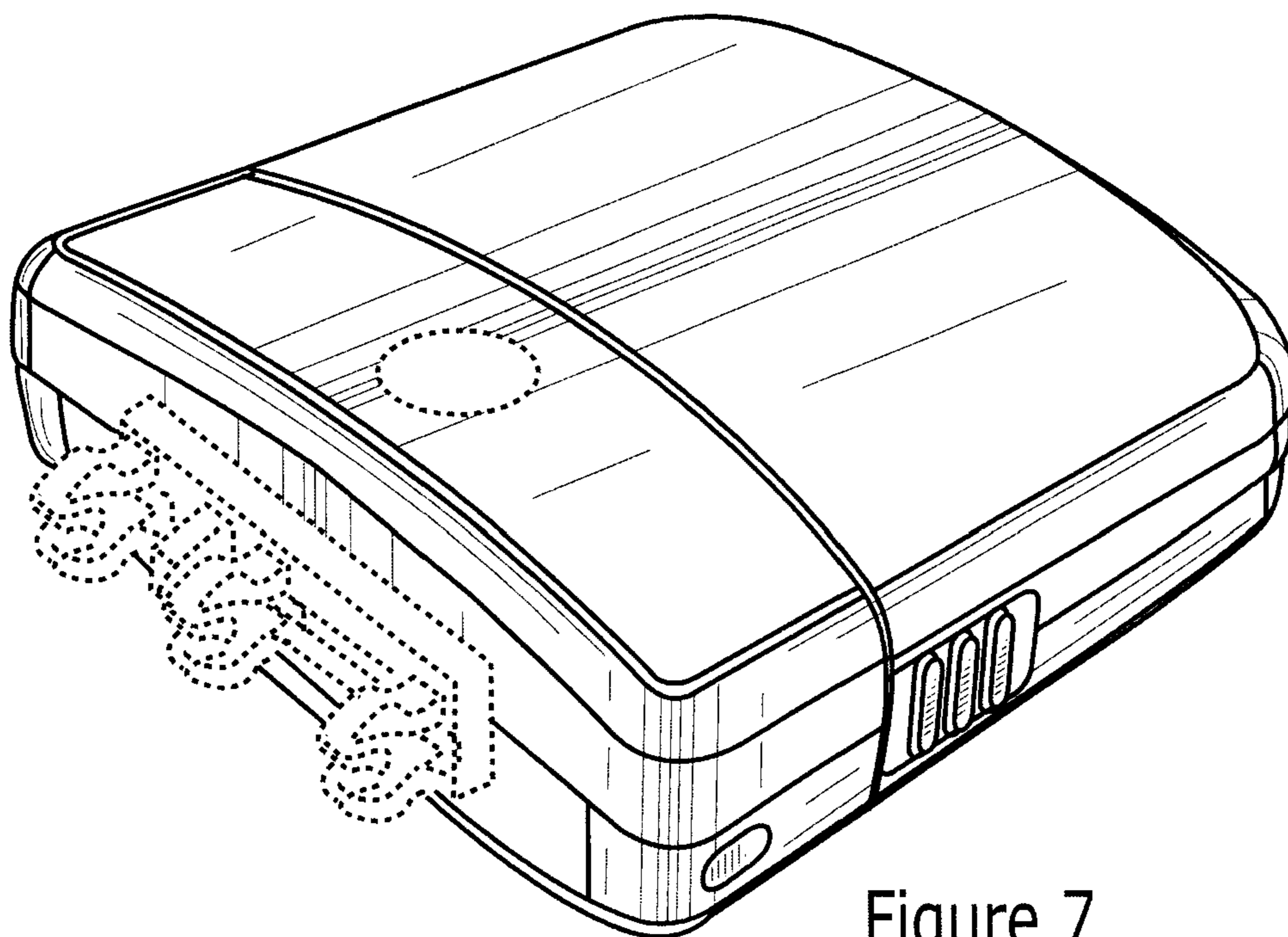


Figure 7

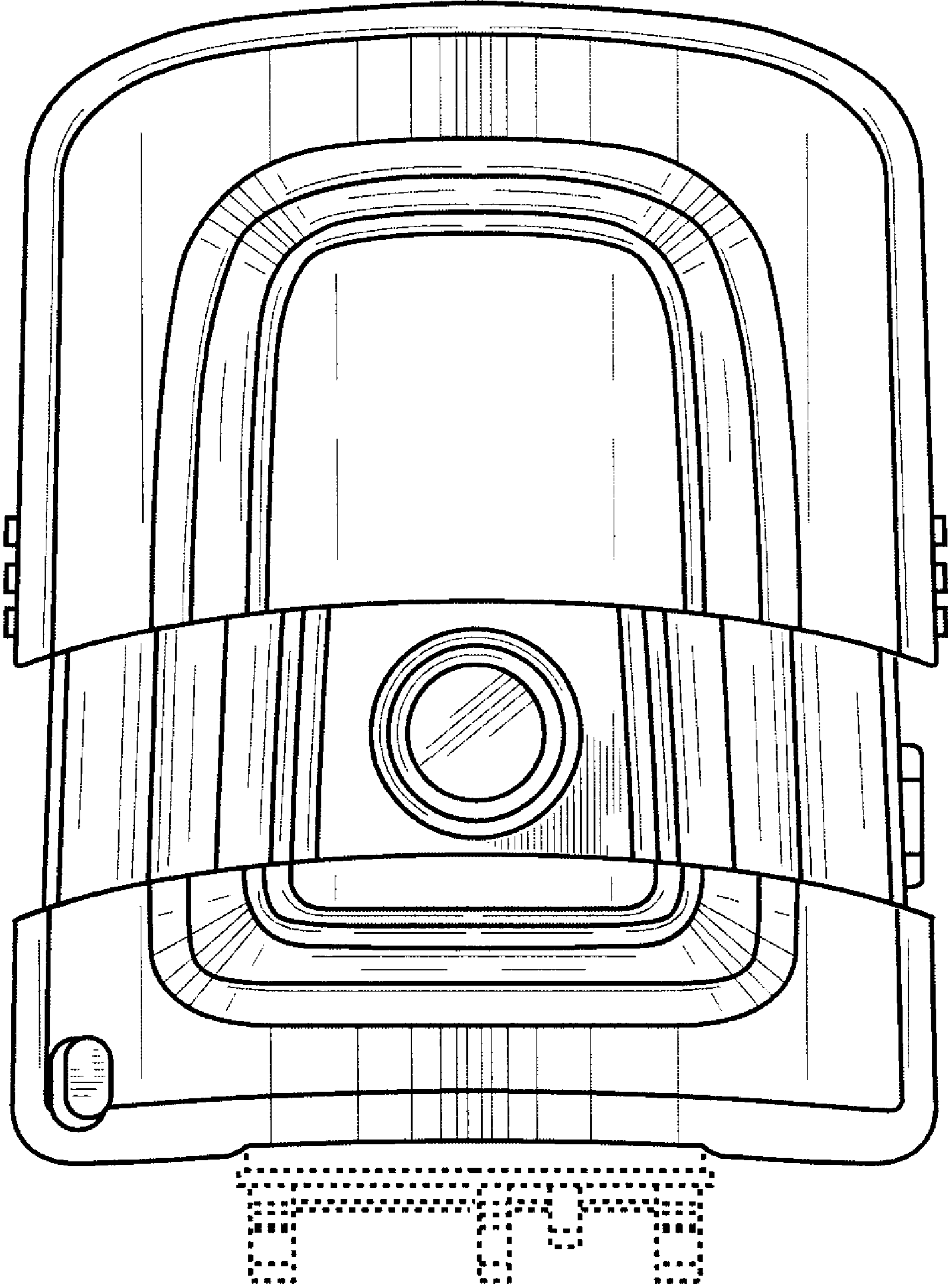


Figure 8

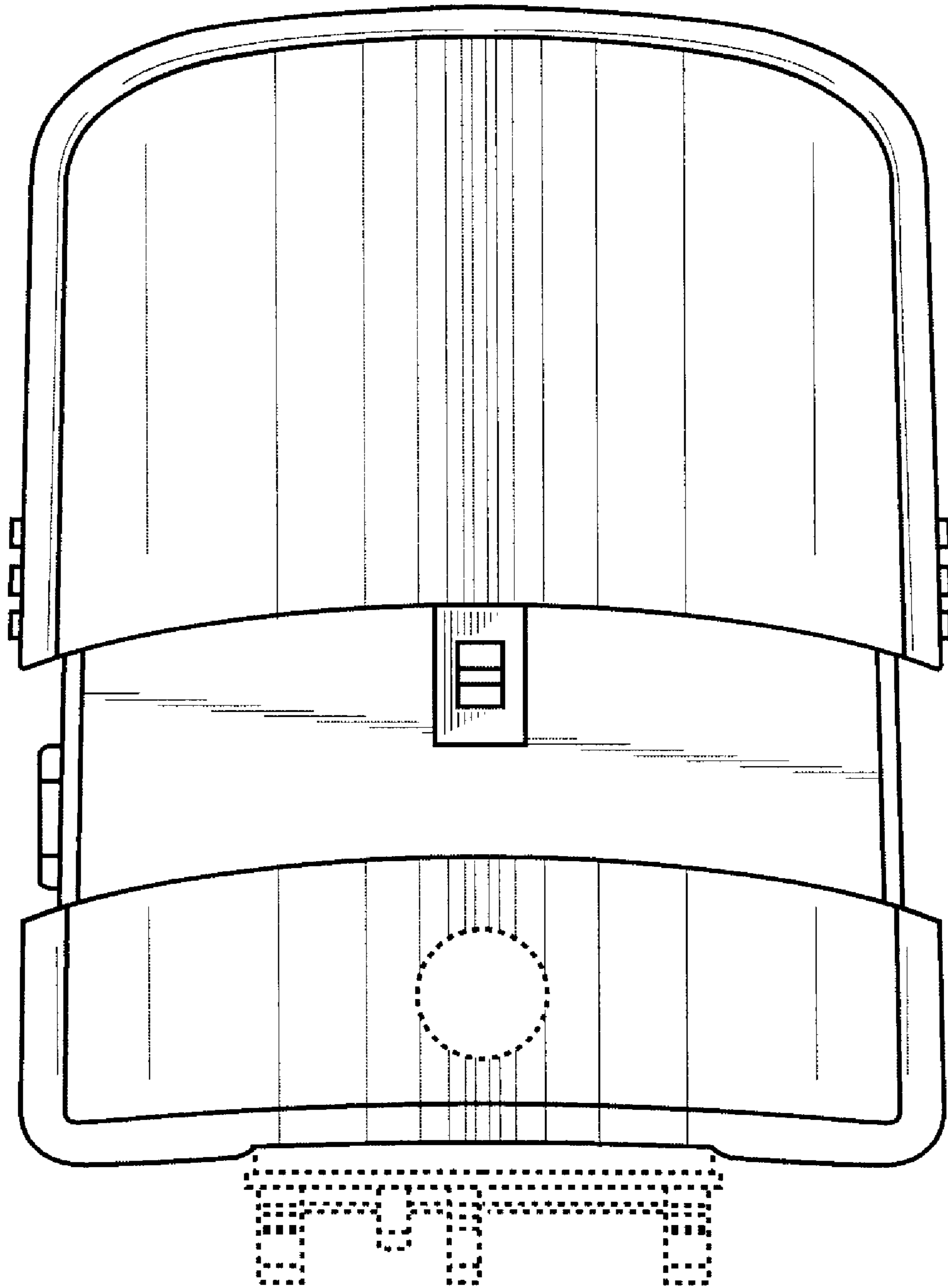


Figure 9

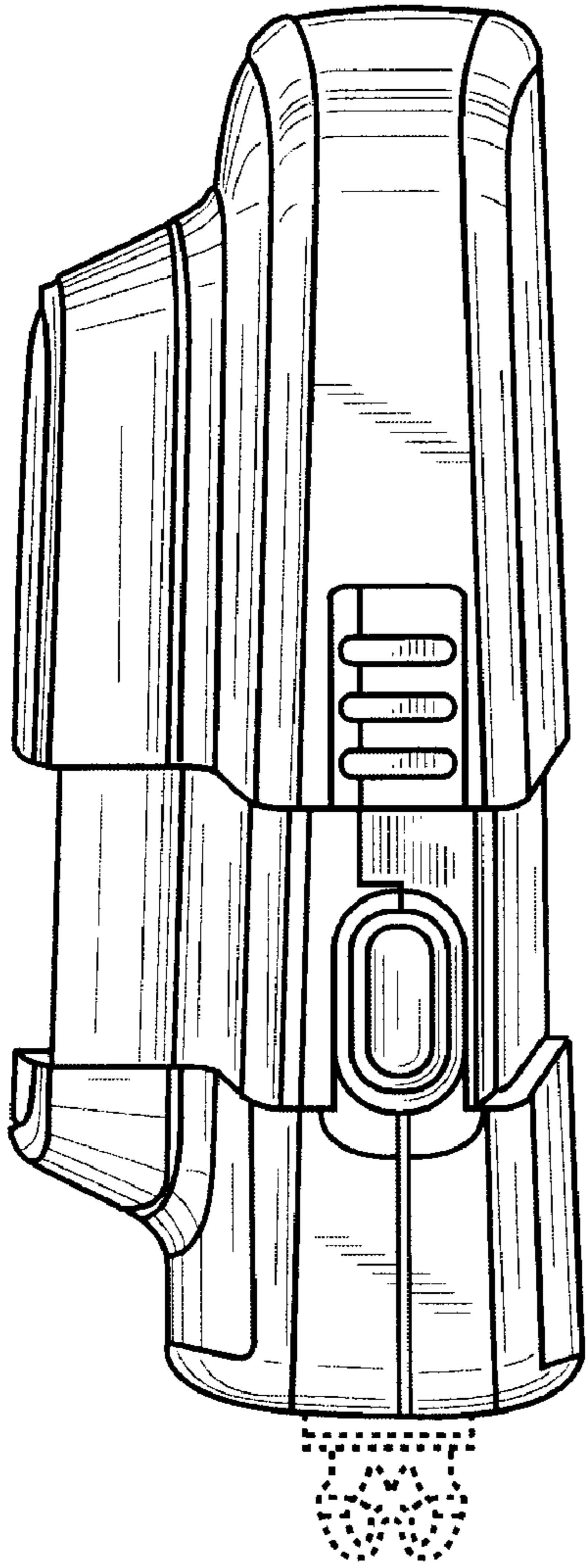


Figure 10

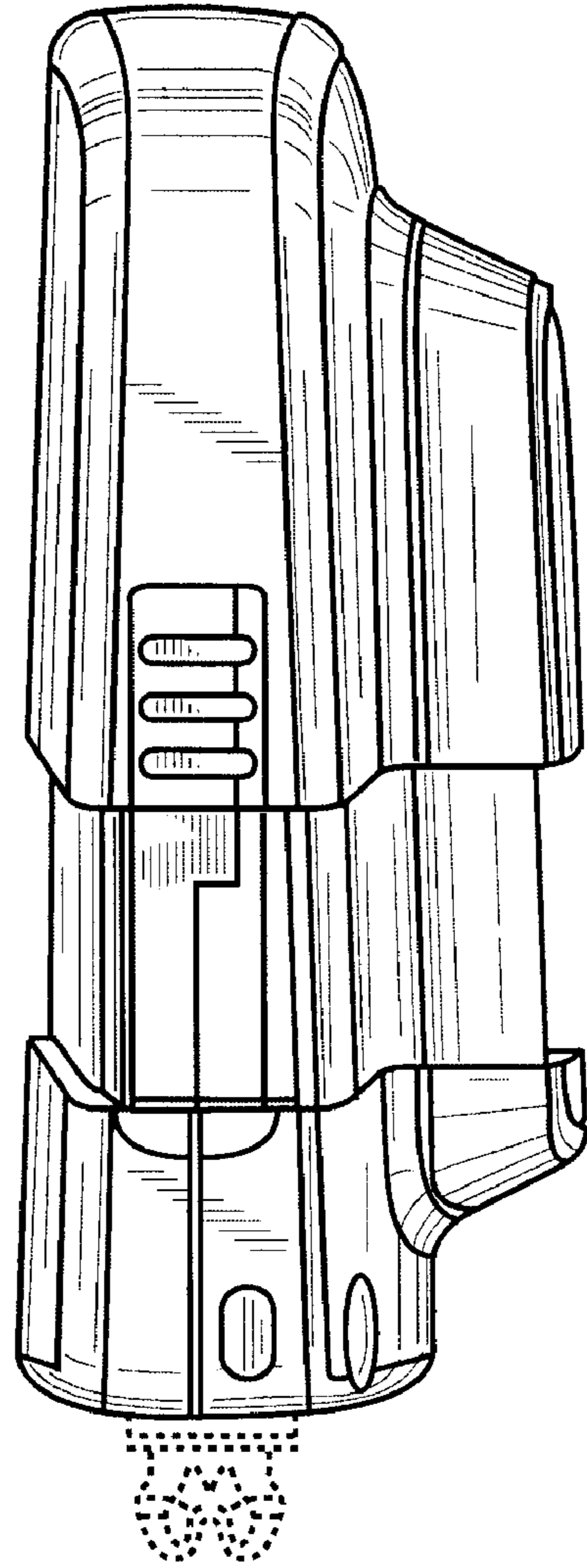


Figure 11

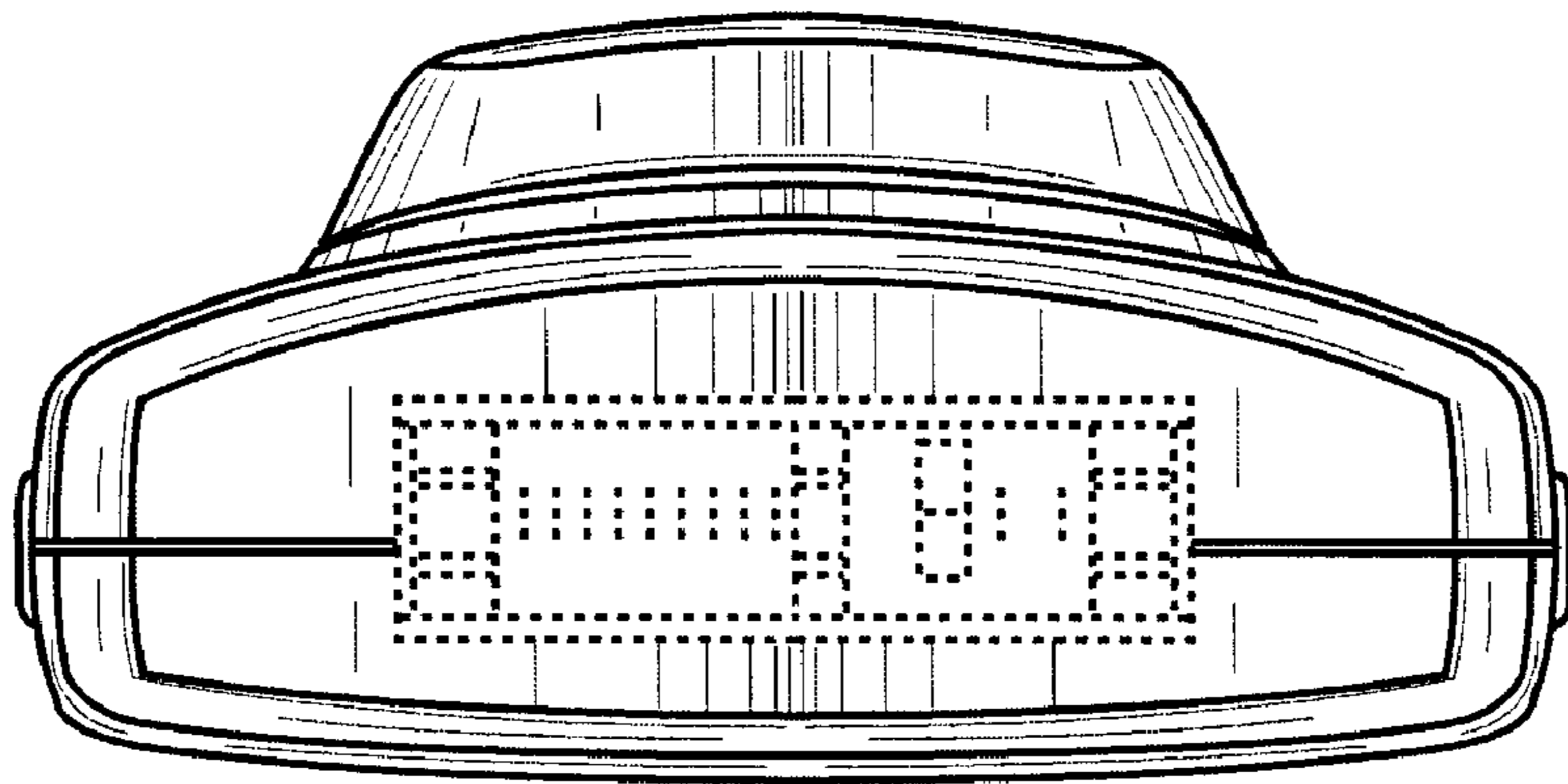


Figure 12

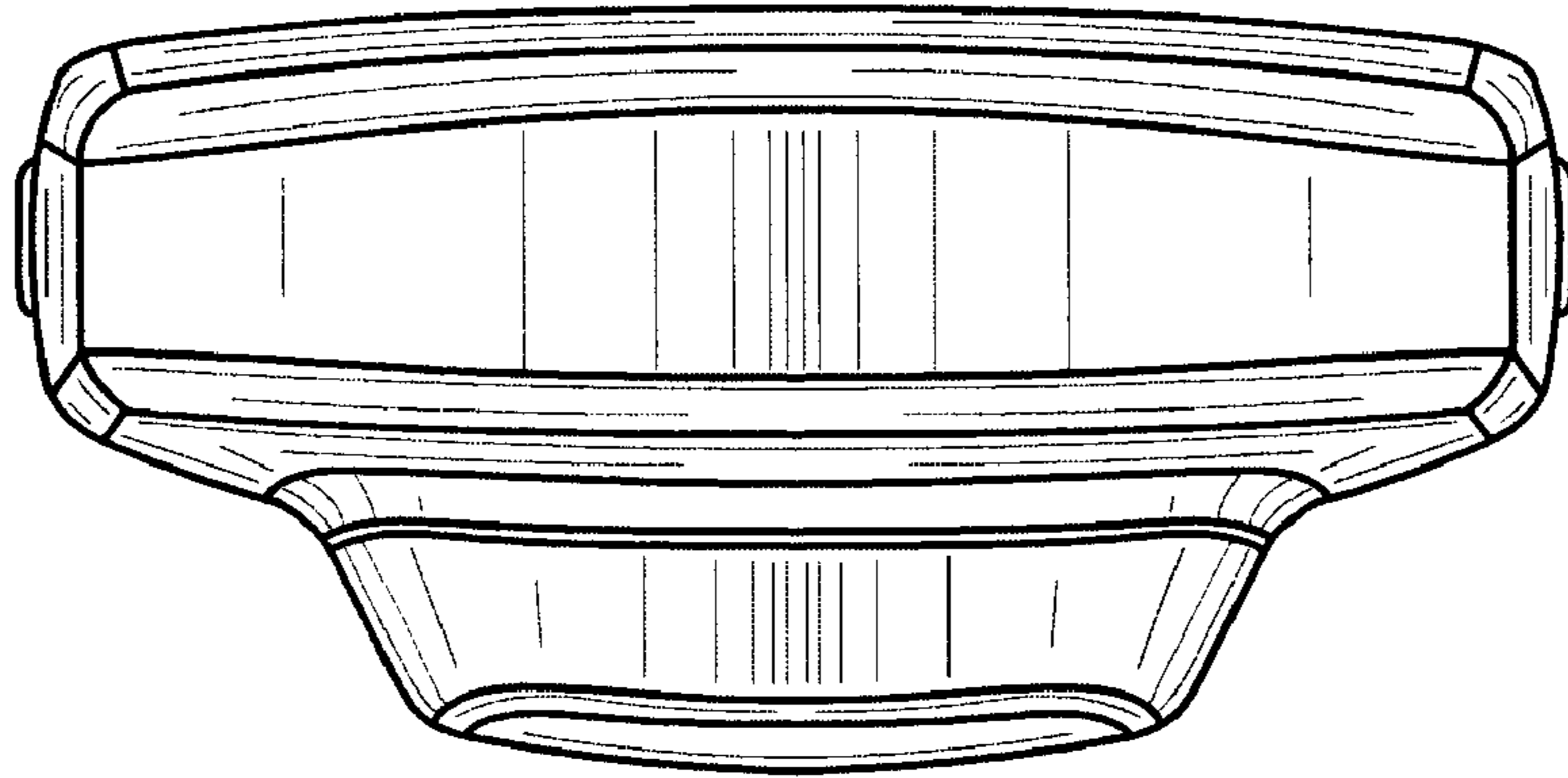


Figure 13

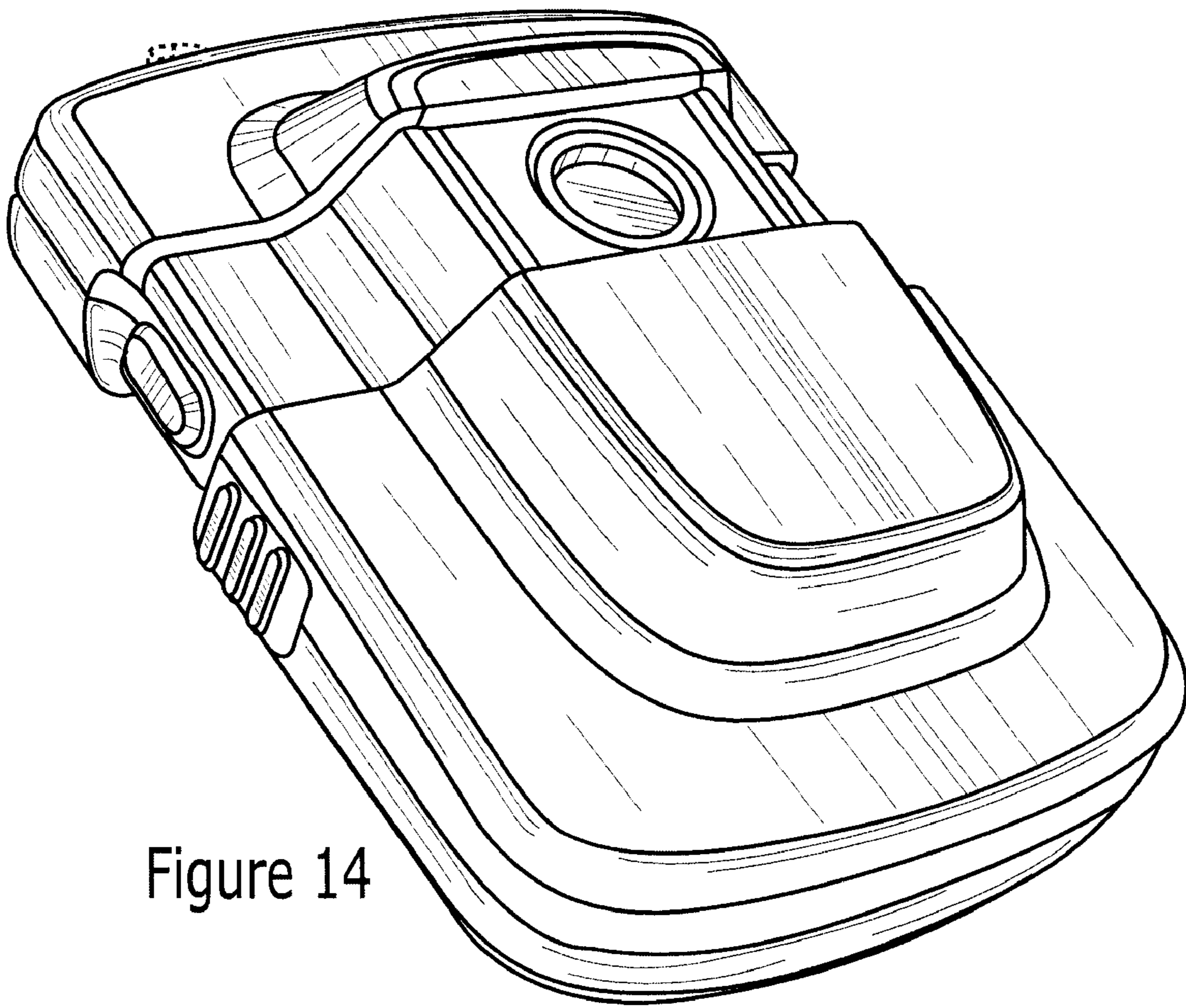


Figure 14