



US00D522557S

(12) **United States Design Patent**
Chen

(10) **Patent No.:** **US D522,557 S**

(45) **Date of Patent:** **** Jun. 6, 2006**

(54) **CAMERA**

(75) Inventor: **Wen-Jye Chen**, Taipei (TW)

(73) Assignee: **Fujinon Corporation**, Saitama (JP)

(**) Term: **14 Years**

(21) Appl. No.: **29/221,992**

(22) Filed: **Jan. 26, 2005**

(30) **Foreign Application Priority Data**

Sep. 21, 2004 (JP) 2004-028530

(51) **LOC (8) Cl.** **16-01**

(52) **U.S. Cl.** **D16/202**

(58) **Field of Classification Search** D16/200–205,
D16/208, 209, 218; 348/373; 396/6, 535–541
See application file for complete search history.

(56) **References Cited**

U.S. PATENT DOCUMENTS

D348,076 S * 6/1994 Chan D16/218
D373,130 S * 8/1996 Jin D16/218
D410,937 S * 6/1999 Nihei et al. D16/209
D438,229 S * 2/2001 Kawai D16/218

D447,759 S * 9/2001 Jin D16/209
6,483,991 B1 * 11/2002 Uchiyama et al. 396/6
6,497,520 B1 * 12/2002 Omiya 396/538

* cited by examiner

Primary Examiner—Adir Aronovich

(74) *Attorney, Agent, or Firm*—Young & Thompson

(57) **CLAIM**

The ornamental design for a camera, as shown and described.

DESCRIPTION

FIG. 1 is a top, front and side perspective view of a camera showing my new design;
FIG. 2 is a front elevational view thereof;
FIG. 3 is a rear elevational view thereof;
FIG. 4 is a top plan view thereof;
FIG. 5 is a bottom plan view thereof;
FIG. 6 is a side elevational view thereof from the left of FIG. 2;
FIG. 7 is a side elevational view thereof from the right of FIG. 2; and,
FIG. 8 is a view thereof similar to FIG. 1, but with the parts in a different position.

1 Claim, 4 Drawing Sheets

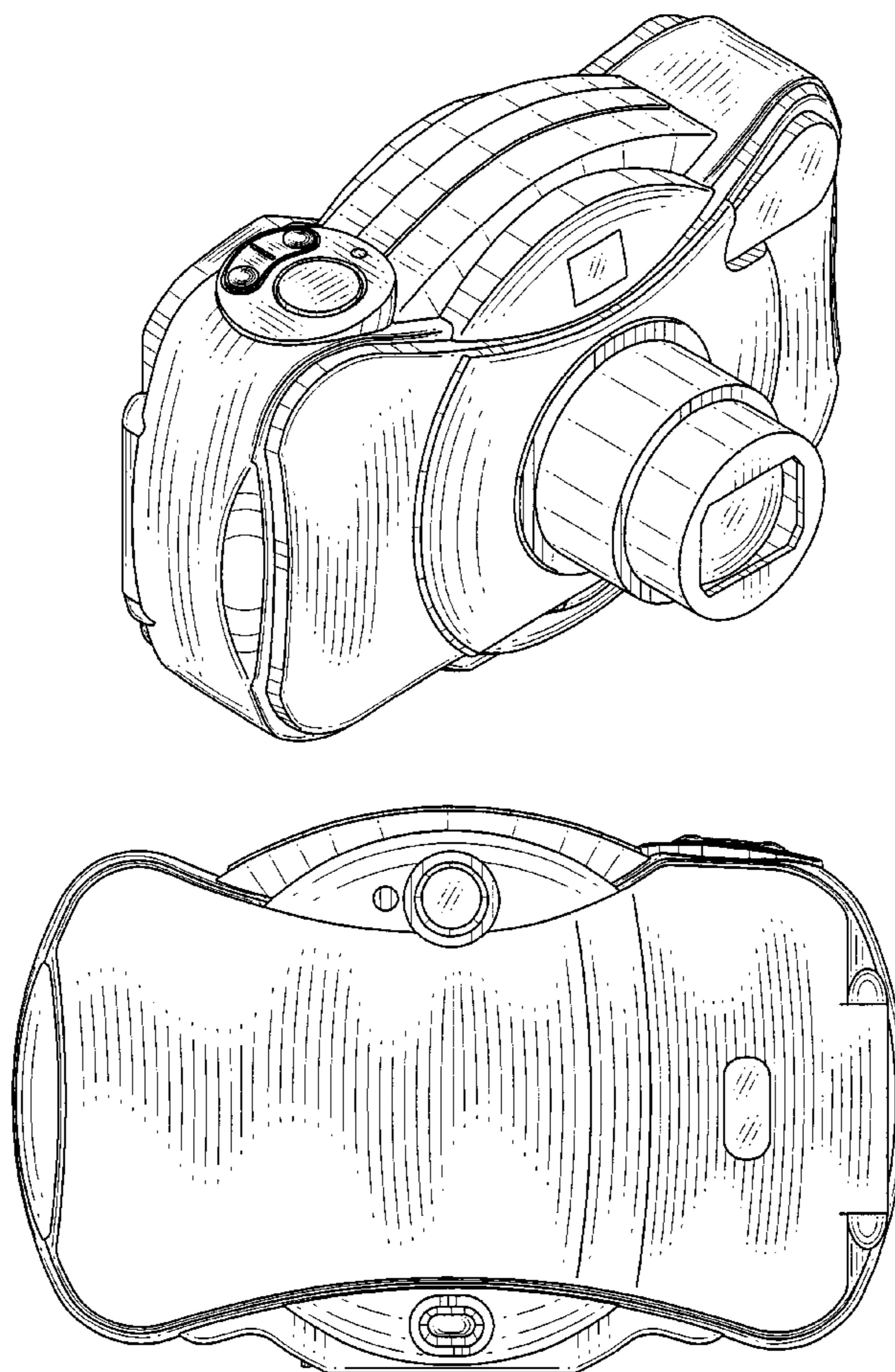


FIG. 1

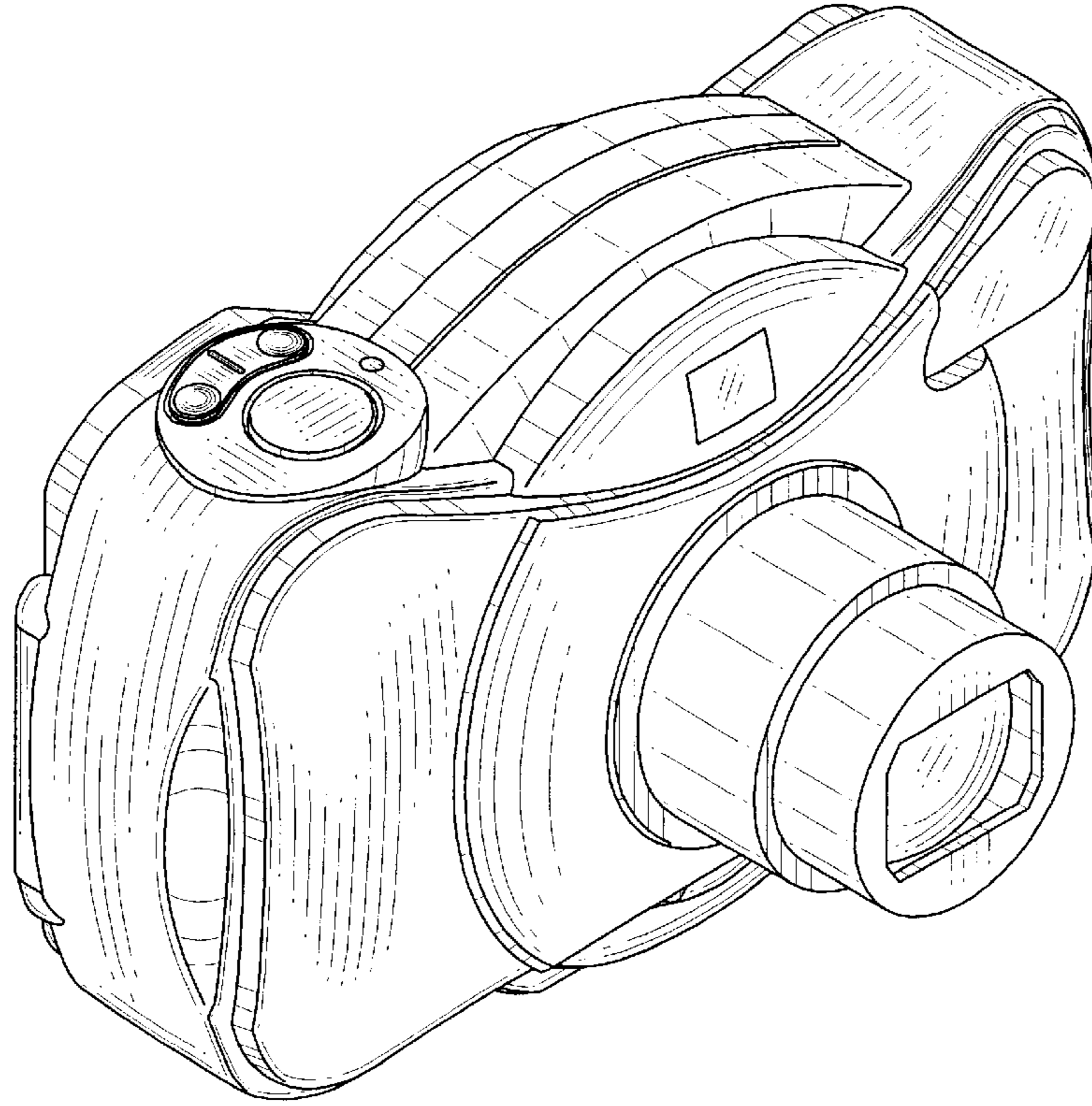


FIG. 2

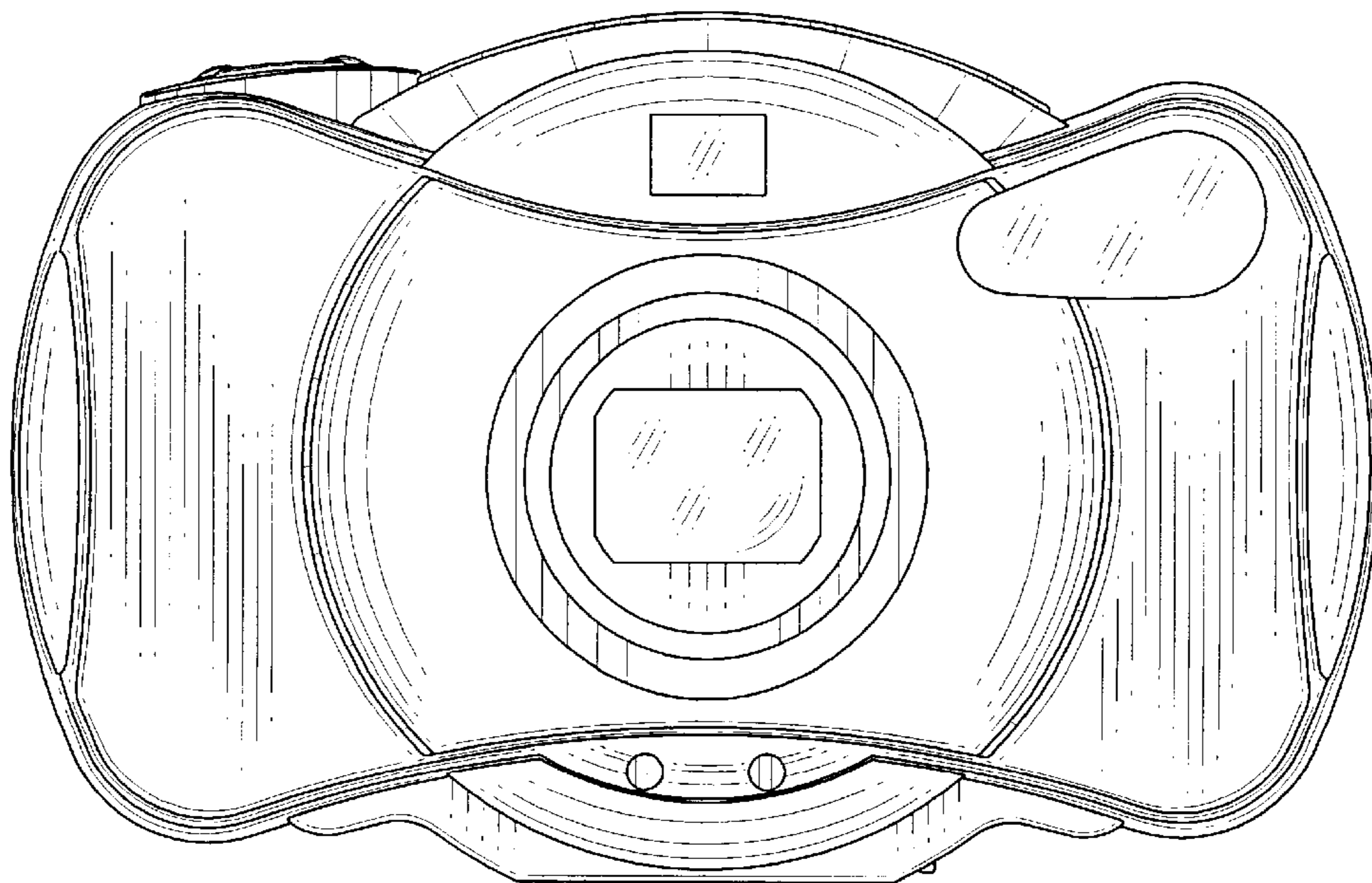


FIG.3

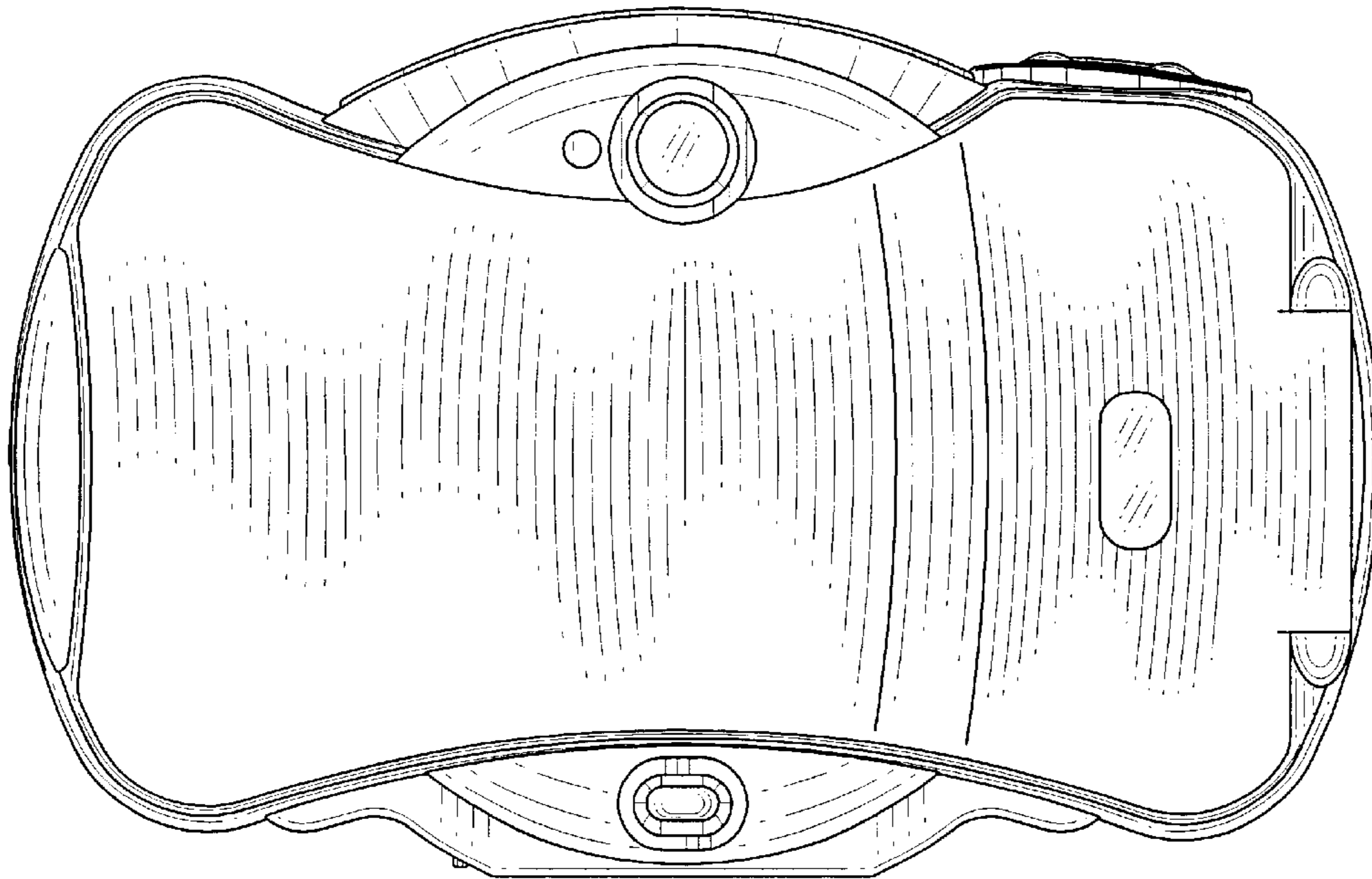


FIG.4

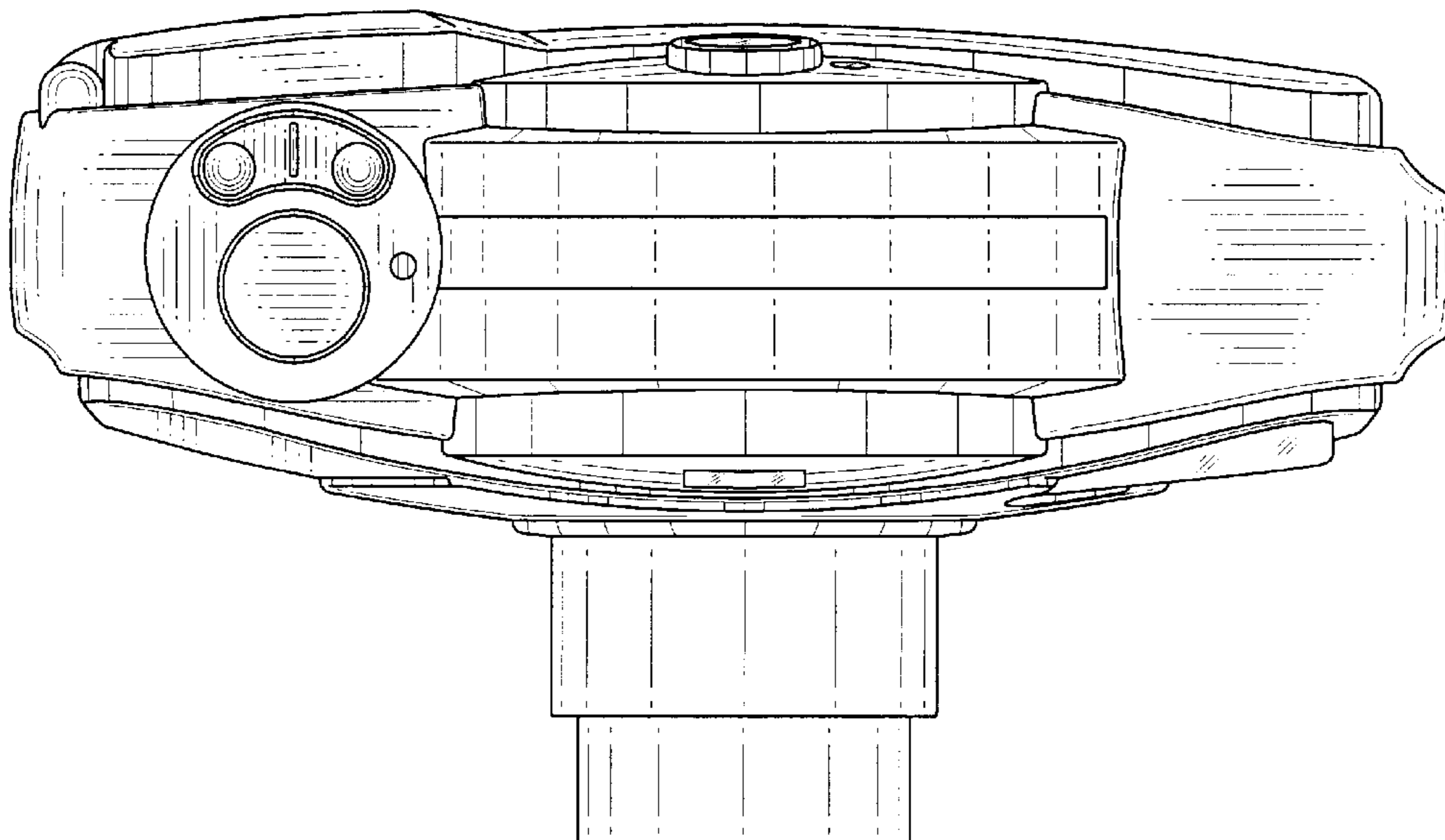


FIG.5

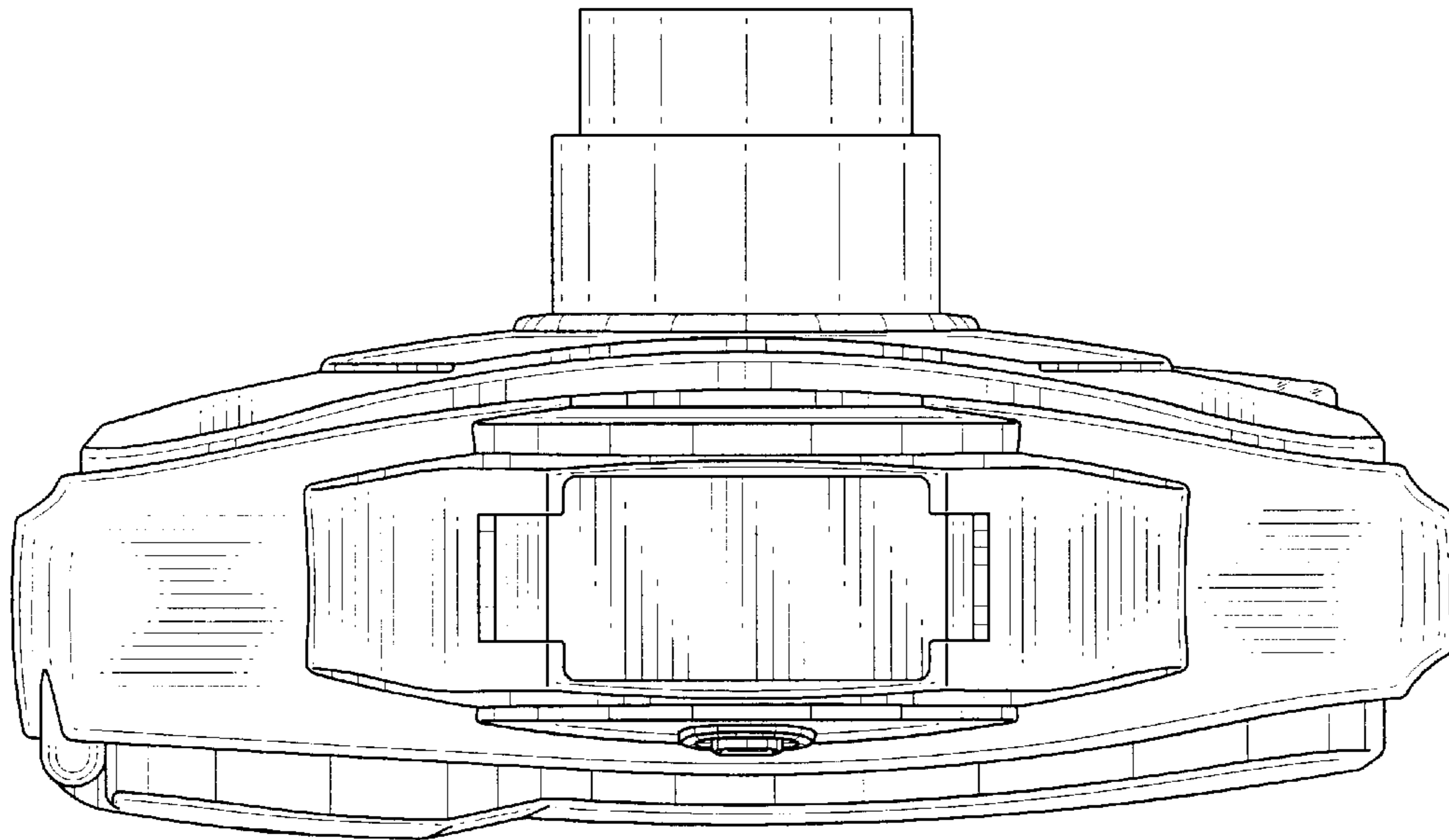


FIG.6

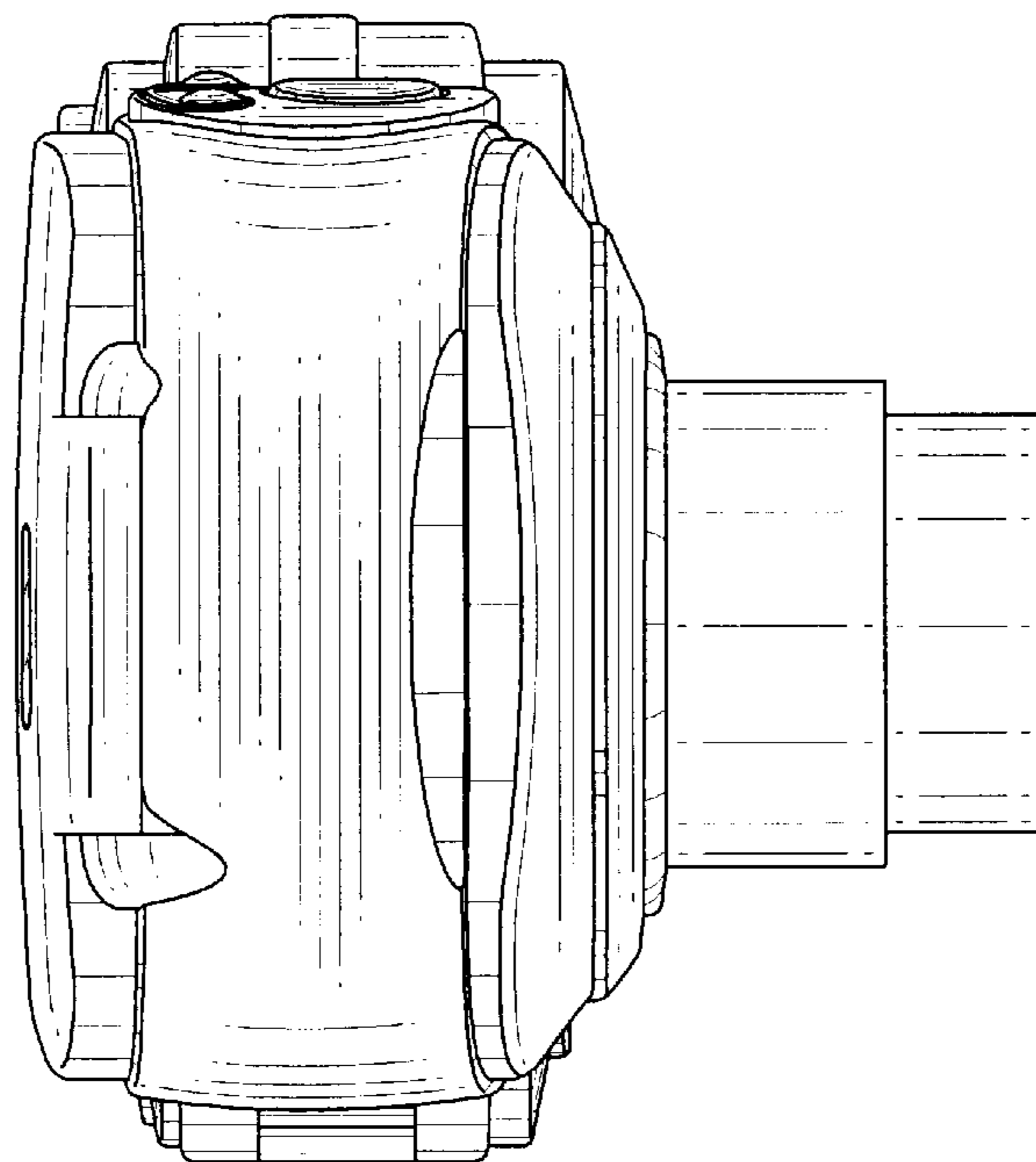


FIG. 7

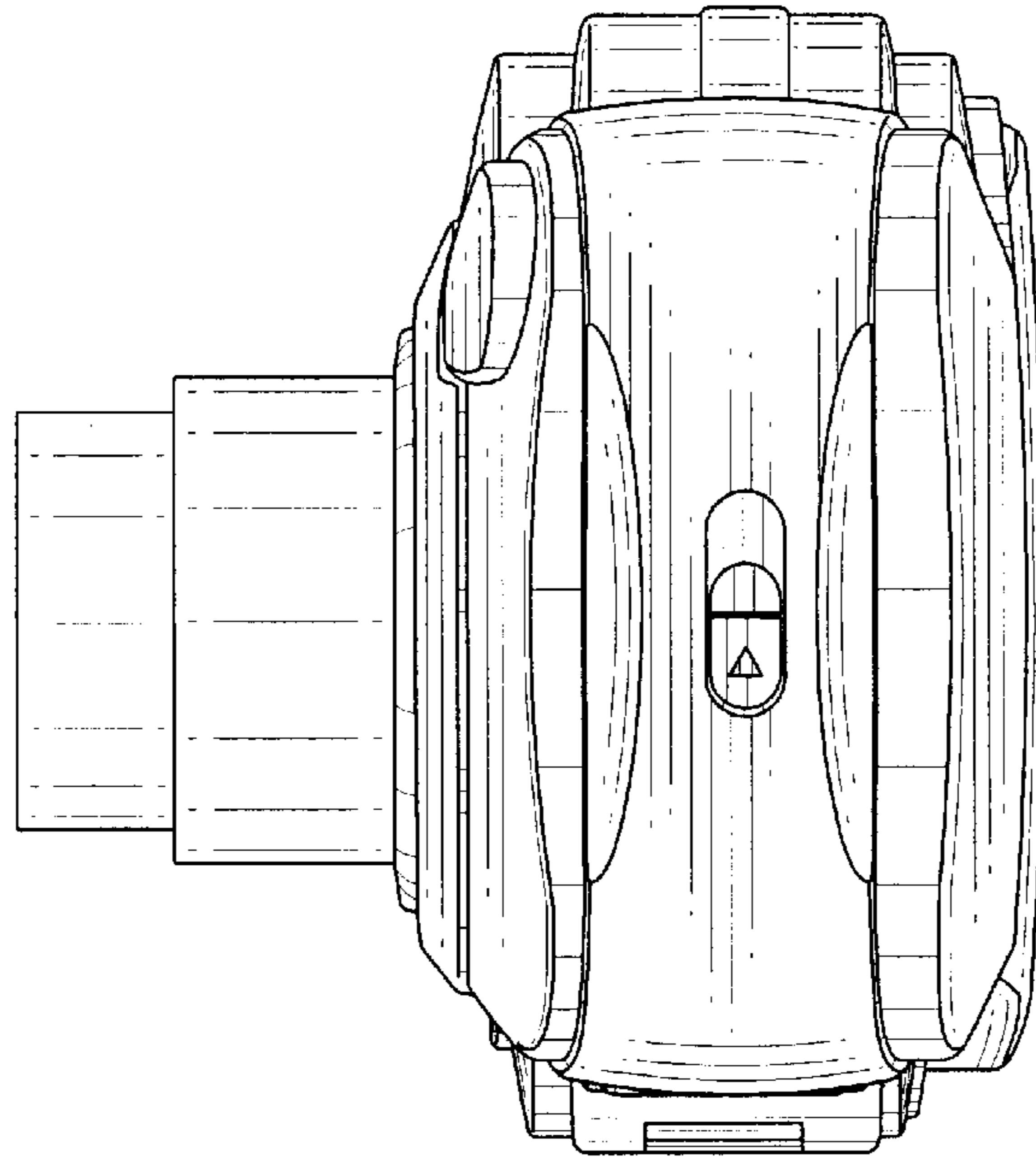


FIG. 8

