



US00D522556S

(12) **United States Design Patent**  
**Yoshida**

(10) **Patent No.:** **US D522,556 S**

(45) **Date of Patent:** **\*\* Jun. 6, 2006**

(54) **ELECTRONIC CAMERA**

(75) Inventor: **Koji Yoshida**, Tokyo (JP)

(73) Assignee: **Fuji Photo Film Co., Ltd.**, Kanagawa (JP)

(\*\*) Term: **14 Years**

(21) Appl. No.: **29/219,138**

(22) Filed: **Dec. 14, 2004**

(30) **Foreign Application Priority Data**

Jun. 14, 2004 (JP) ..... 2004-017692

(51) **LOC (8) Cl.** ..... **16-01**

(52) **U.S. Cl.** ..... **D16/202**

(58) **Field of Classification Search** ..... D16/200–205,  
D16/208, 209, 218; 348/373–376; 358/909.1;  
396/6, 535

See application file for complete search history.

(56) **References Cited**

**U.S. PATENT DOCUMENTS**

D388,449 S \* 12/1997 Ohi et al. .... D16/202  
D409,640 S \* 5/1999 Funato ..... D16/202  
6,434,337 B1 \* 8/2002 Misawa ..... 358/909.1

D475,072 S 5/2003 Yoshida ..... D16/202  
D479,547 S \* 9/2003 Nagayama ..... D16/202  
D505,967 S \* 6/2005 Ko et al. .... D16/202  
D507,586 S \* 7/2005 Nakamura ..... D16/202

\* cited by examiner

*Primary Examiner*—Adir Aronovich

(74) *Attorney, Agent, or Firm*—Young & Thompson

(57) **CLAIM**

The ornamental design for an electronic camera, as shown and described.

**DESCRIPTION**

FIG. 1 is a top, front and side perspective view of an electronic camera showing my new design;  
FIG. 2 is a front elevational view thereof;  
FIG. 3 is a rear elevational view thereof;  
FIG. 4 is a top plan view thereof;  
FIG. 5 is a bottom plan view thereof;  
FIG. 6 is a side elevational view thereof from the left of FIG. 2;  
FIG. 7 is a side elevational view thereof from the right of FIG. 2; and,  
FIG. 8 is a view similar to FIG. 1, but with the parts in a different position.

**1 Claim, 4 Drawing Sheets**

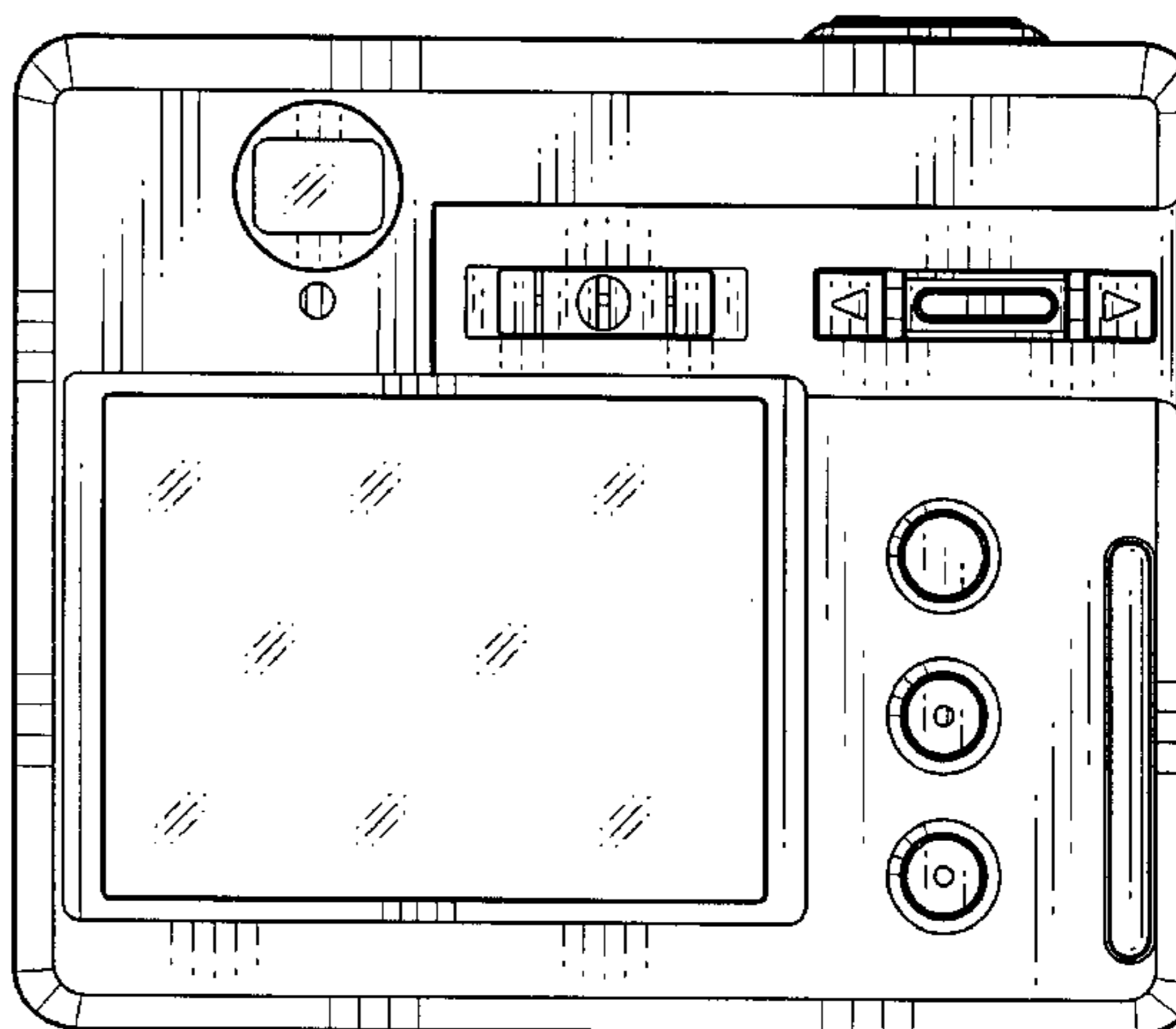
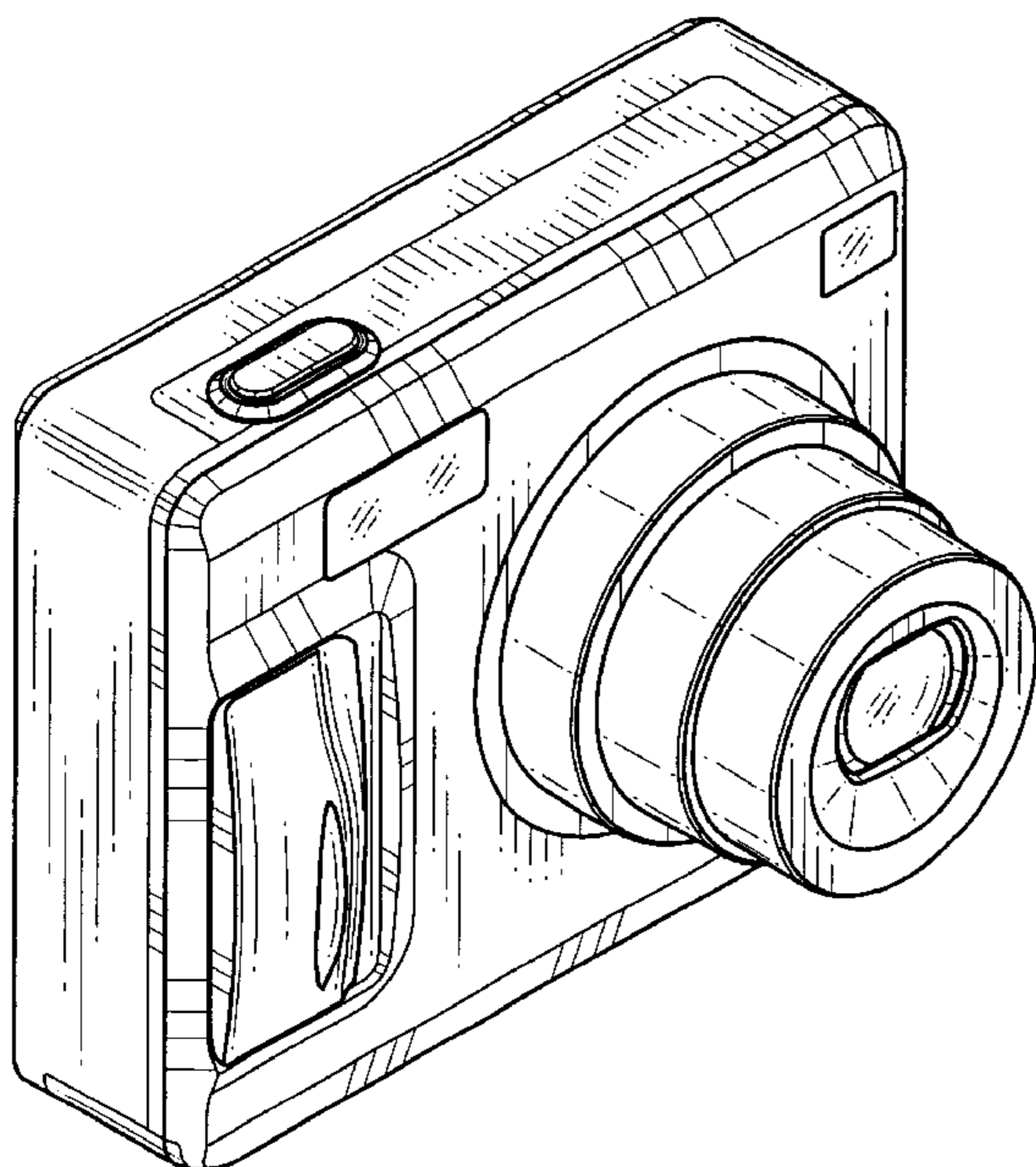


FIG.1

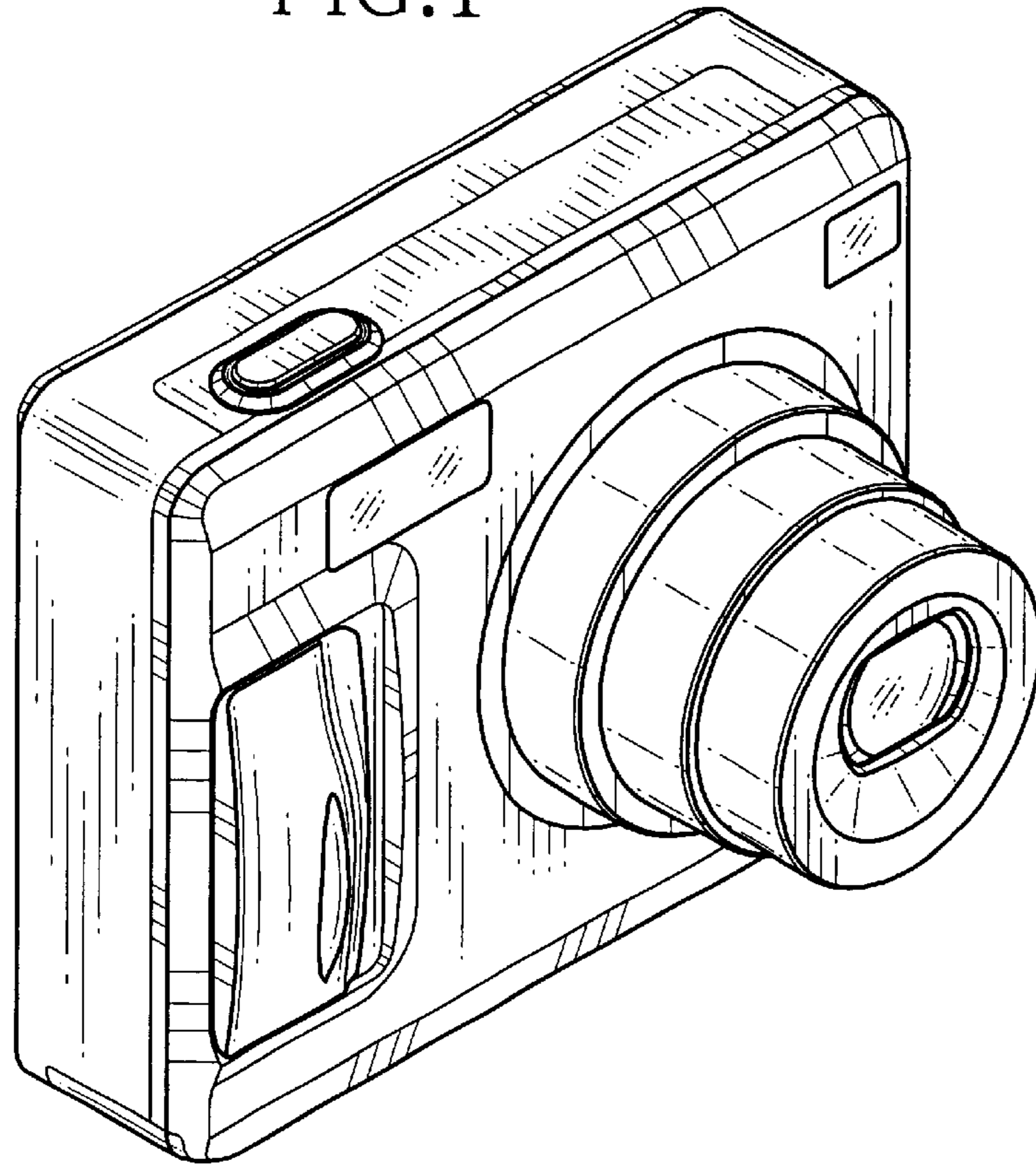


FIG.2

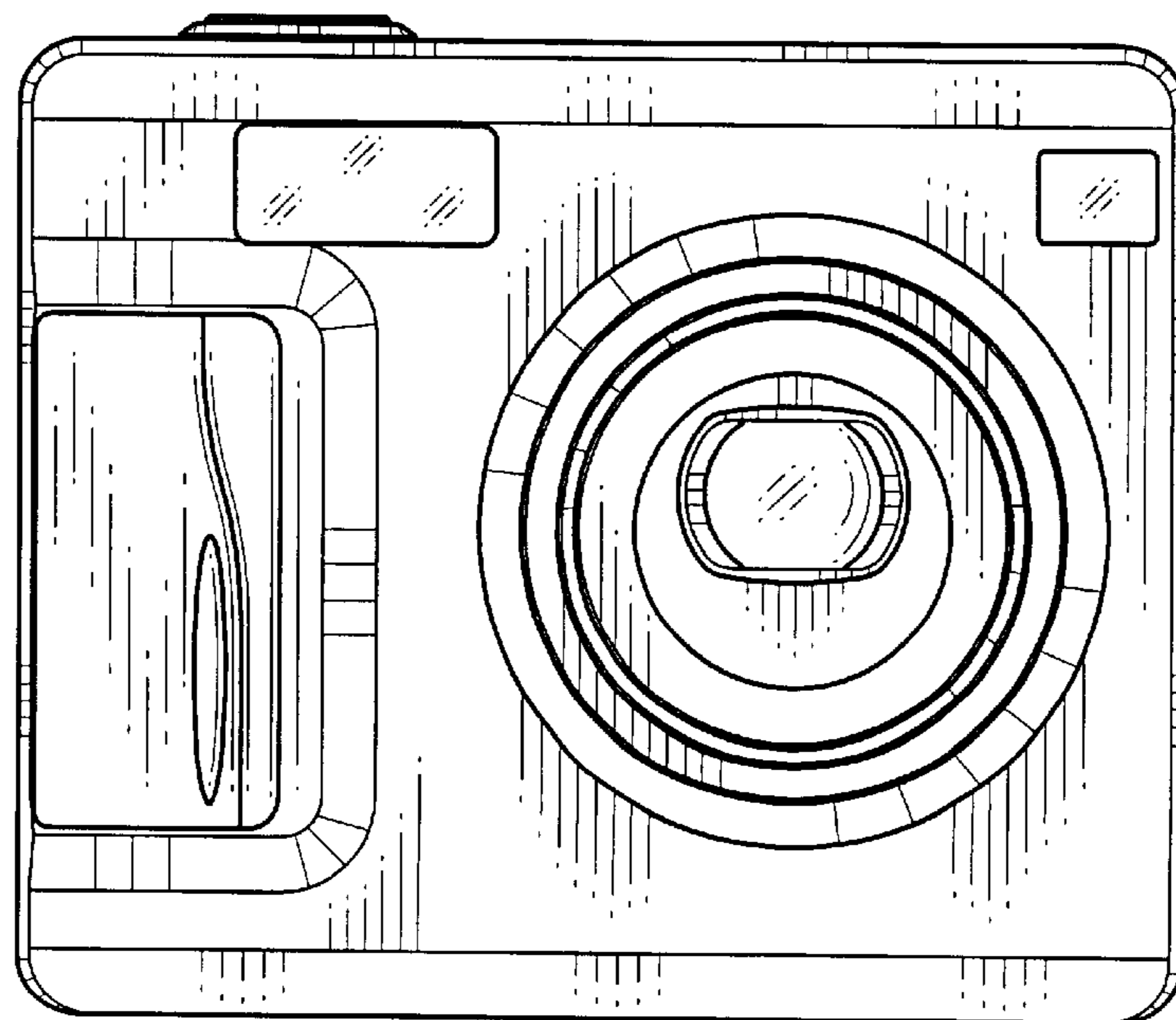


FIG.3

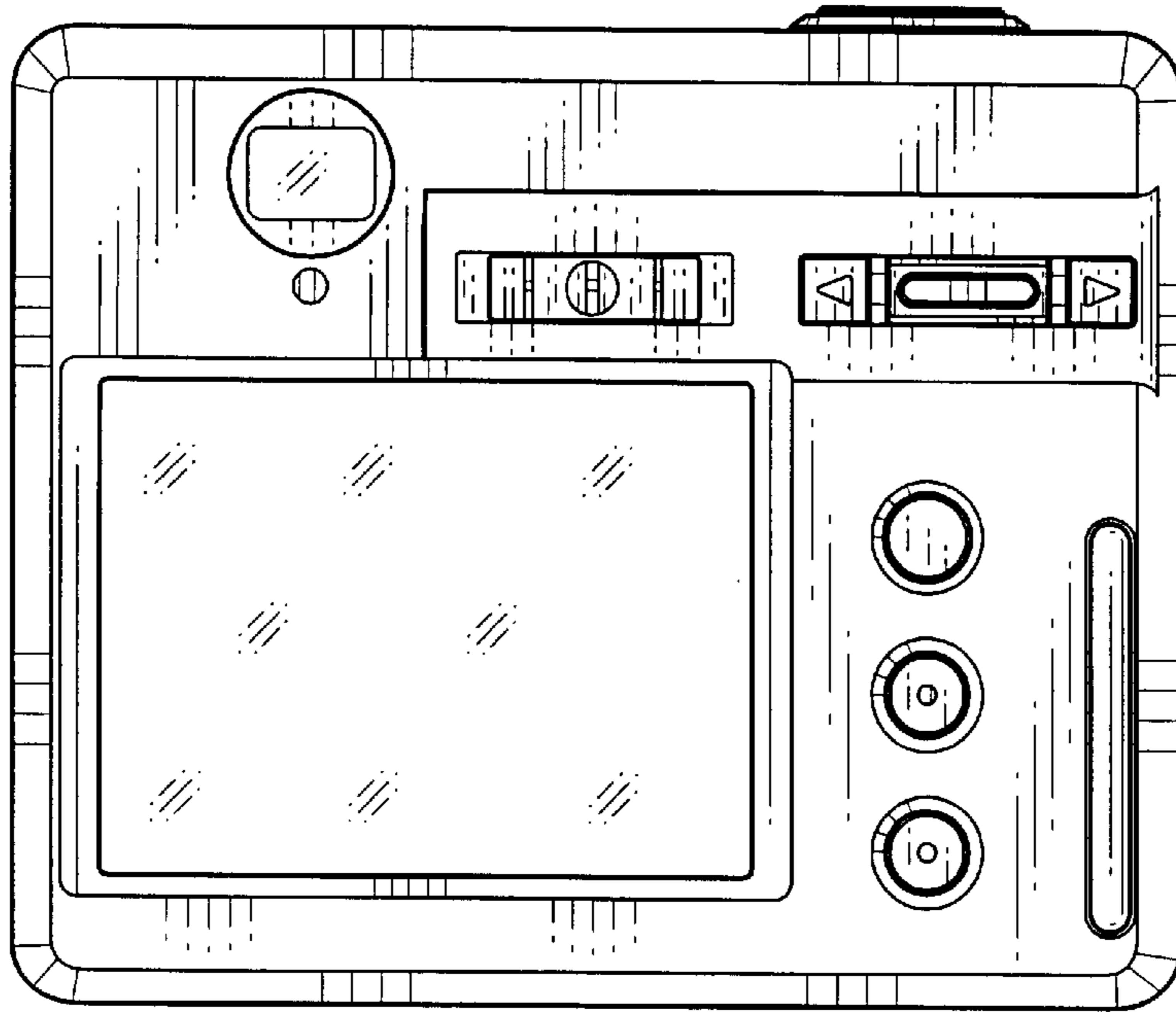


FIG.4

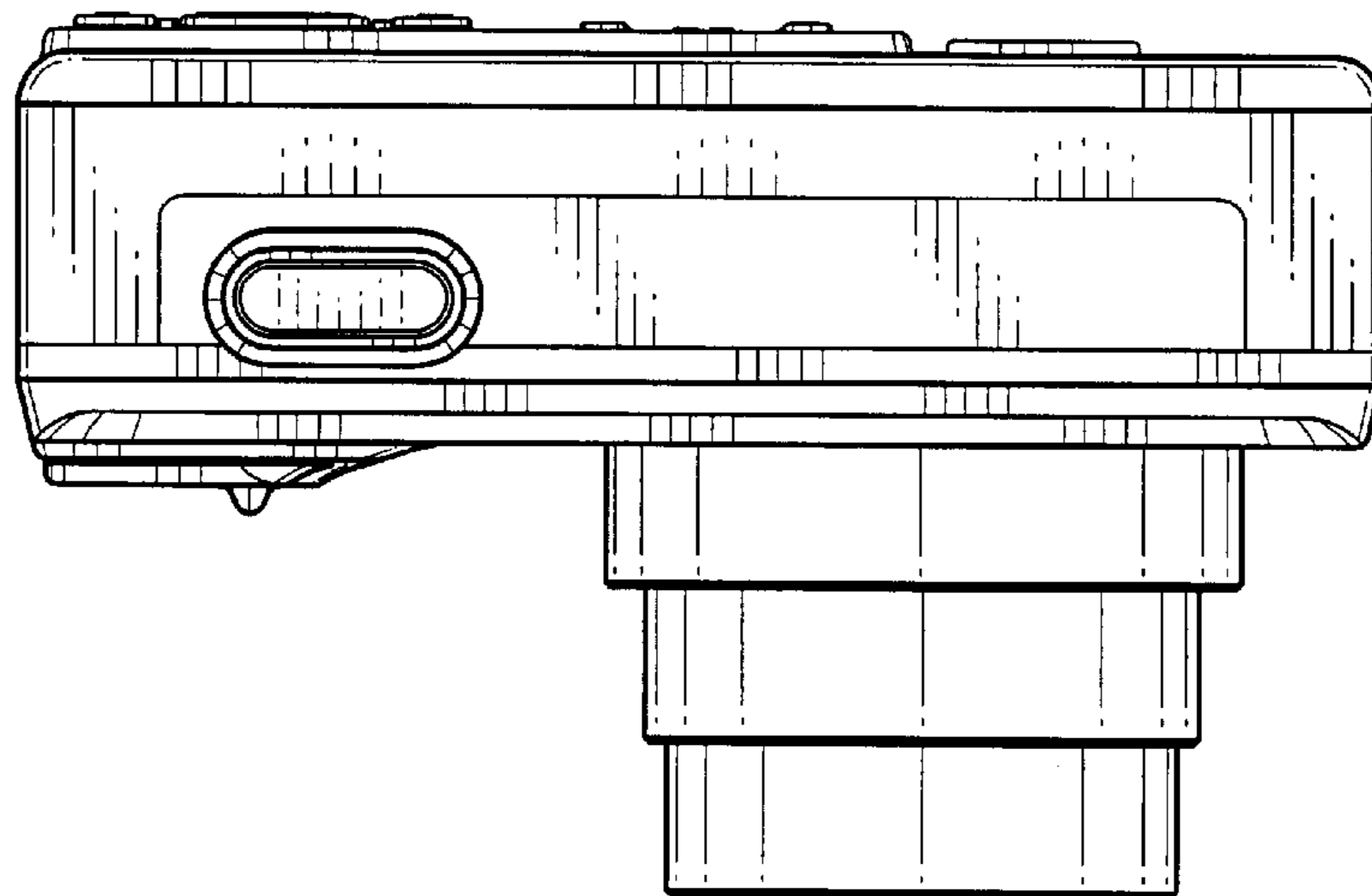


FIG.5

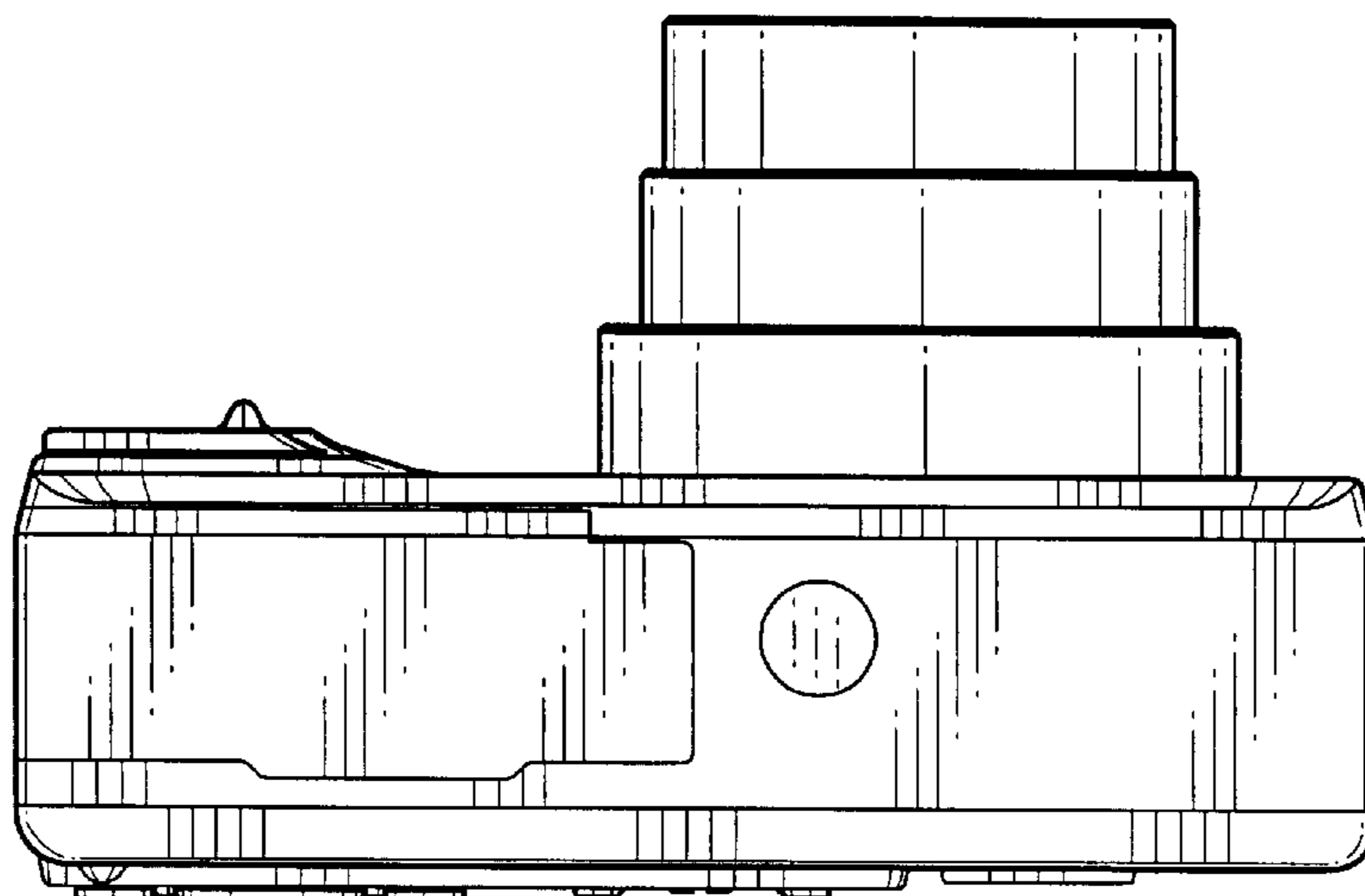


FIG.6

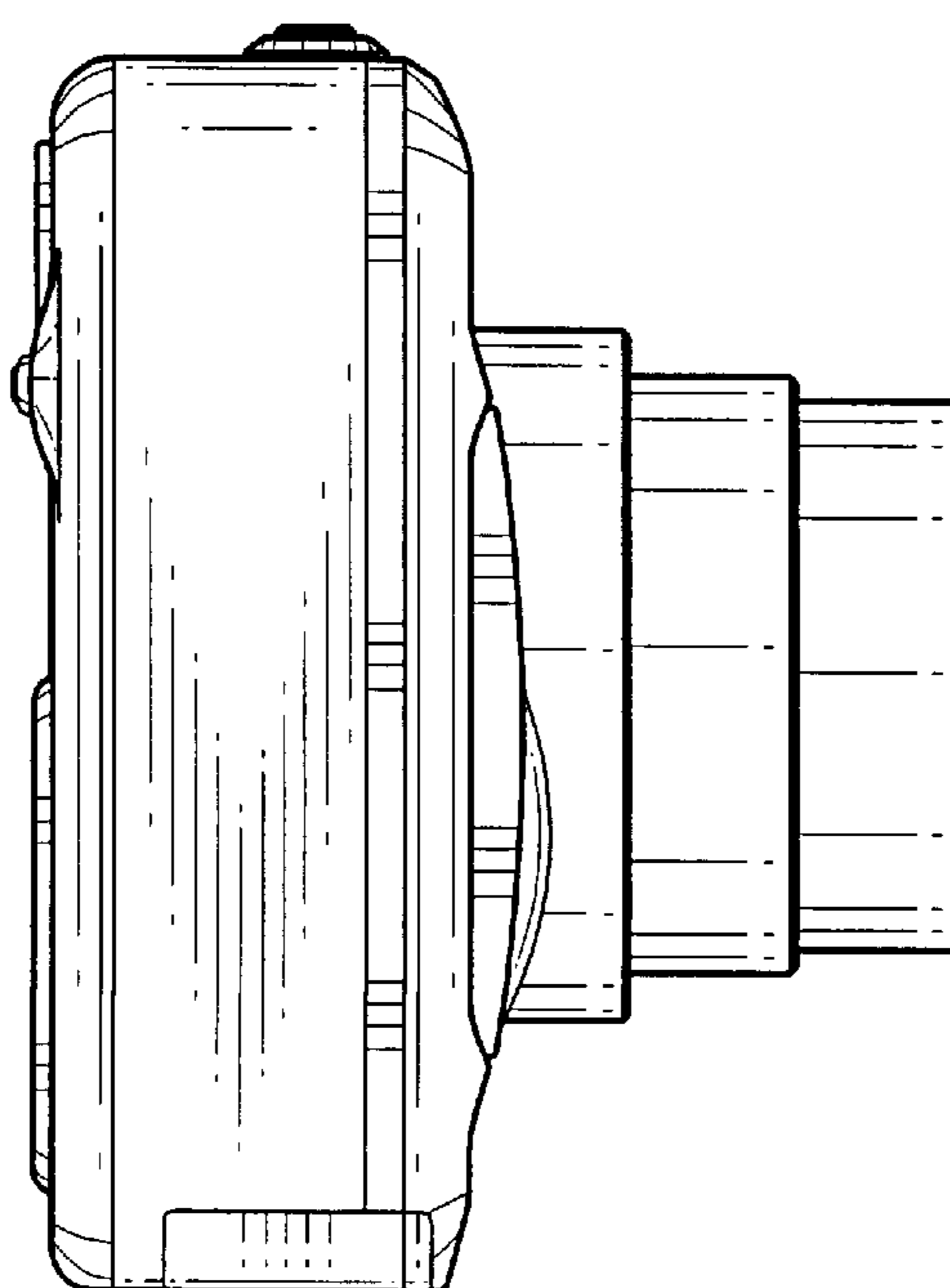


FIG.7

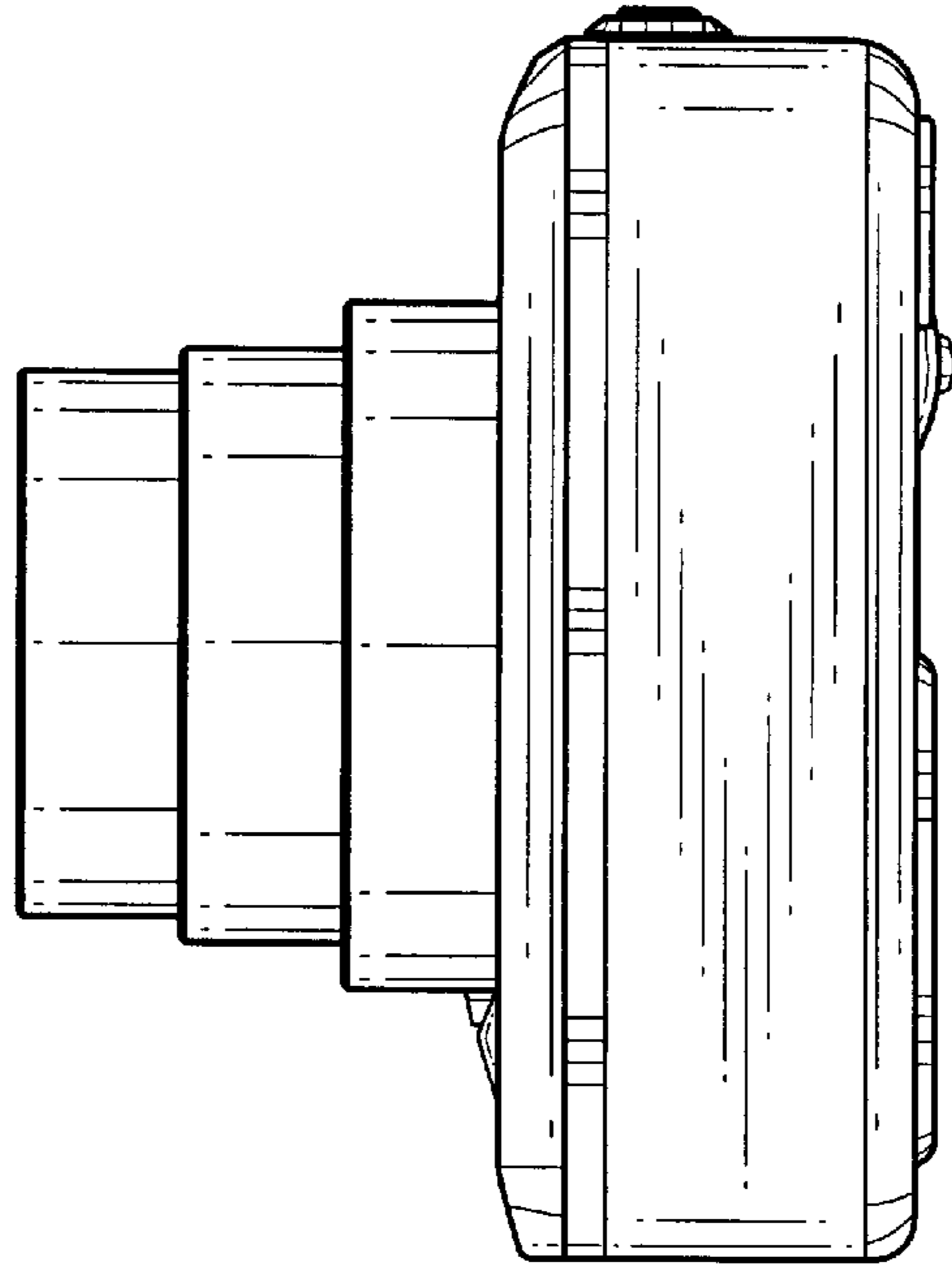


FIG.8

