

US00D522555S

(12) **United States Design Patent**
Choi

(10) **Patent No.:** **US D522,555 S**

(45) **Date of Patent:** **** Jun. 6, 2006**

(54) **DIGITAL CAMERA**

(75) **Inventor:** **Seong-Won Choi**, Seoul (KR)

(73) **Assignee:** **Samsung Electronics Co., Ltd.**,
Kyunggi-do (KR)

(**) **Term:** **14 Years**

(21) **Appl. No.:** **29/219,129**

(22) **Filed:** **Dec. 13, 2004**

(51) **LOC (8) Cl.** **16-01**

(52) **U.S. Cl.** **D16/202; D16/218**

(58) **Field of Classification Search** **D16/200–205,**
D16/208, 209, 218; 348/373–376; 358/909.1;
396/6, 535–541

See application file for complete search history.

(56) **References Cited**

U.S. PATENT DOCUMENTS

D387,078 S * 12/1997 Akita D16/202
D467,602 S * 12/2002 Katayama D16/202

6,788,894 B1 * 9/2004 Suzuki et al. 348/373
D508,711 S * 8/2005 Suzuki D16/218
D512,450 S * 12/2005 Jinde D16/202

* cited by examiner

Primary Examiner—Adir Aronovich

(74) *Attorney, Agent, or Firm*—Fynn, Thiel, Boutell &
Tanis, P.C.

(57) **CLAIM**

The ornamental design for a digital camera, as shown and described.

DESCRIPTION

FIG. 1 is a top front and right side perspective view of a digital camera showing my new design.

FIG. 2. is a front elevational view thereof.

FIG. 3. is a rear elevational view thereof.

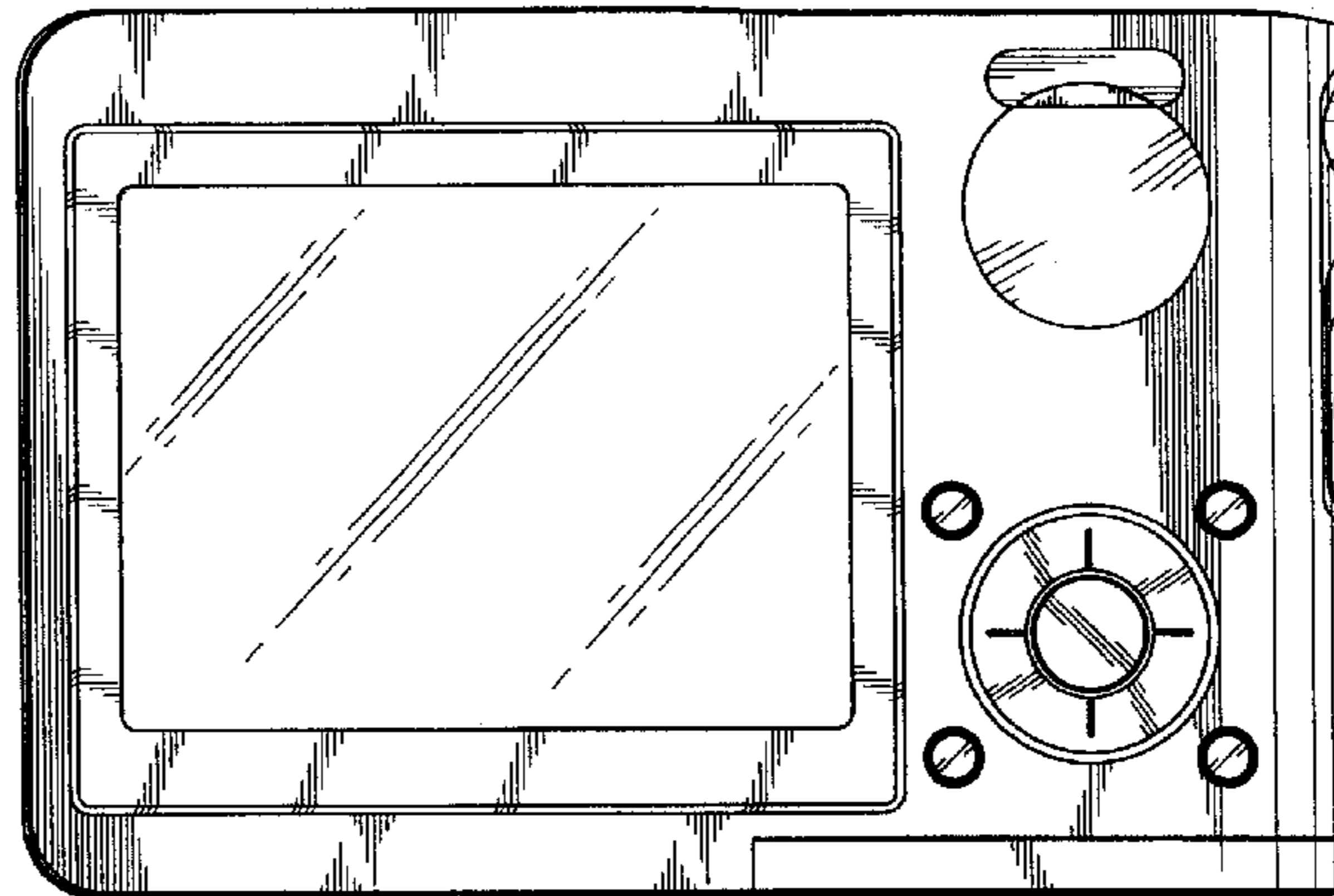
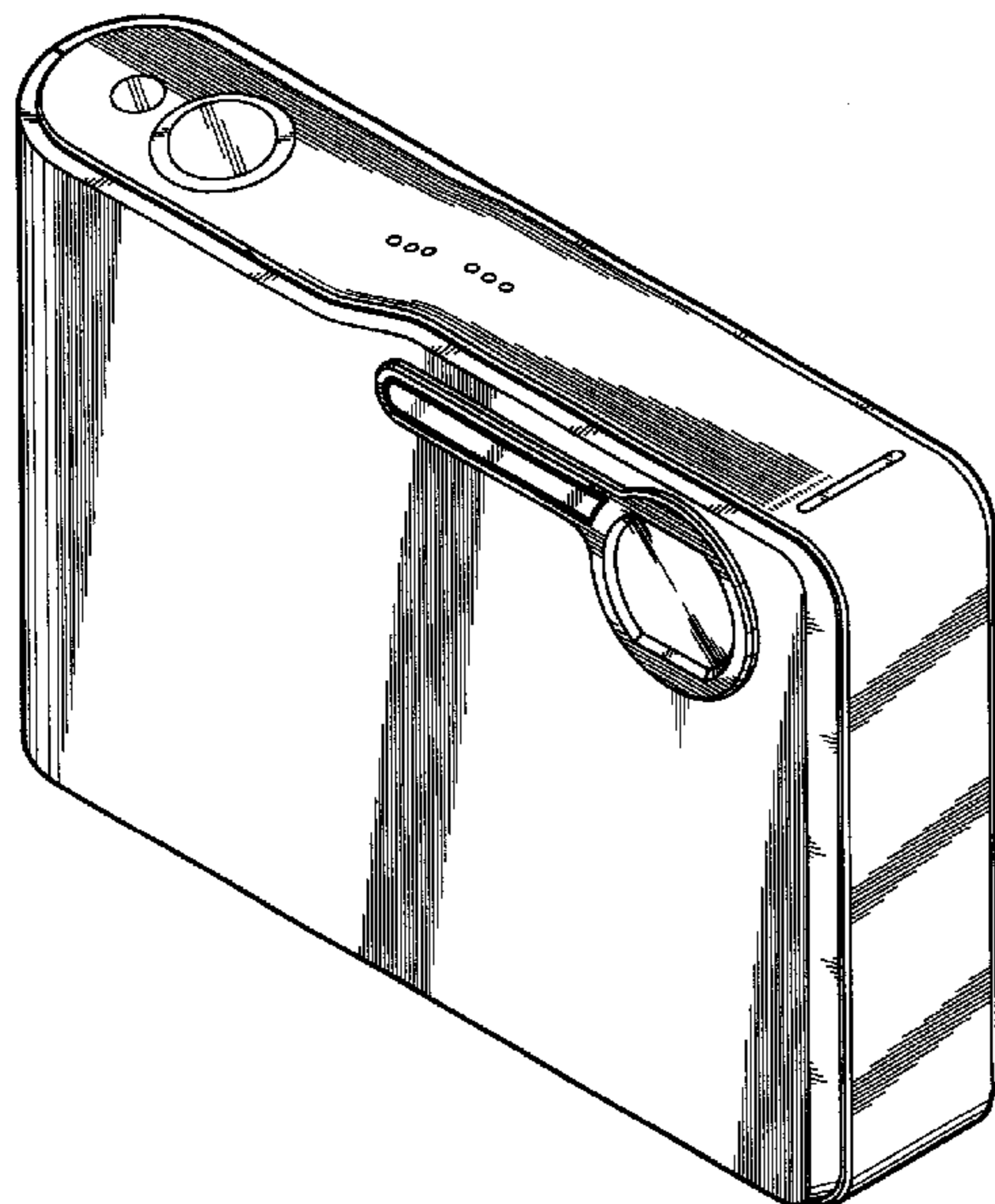
FIG. 4. is a left side elevational view thereof.

FIG. 5. is a right side elevational view thereof.

FIG. 6. is a top plan view thereof; and,

FIG. 7. is a bottom plan view thereof.

1 Claim, 5 Drawing Sheets



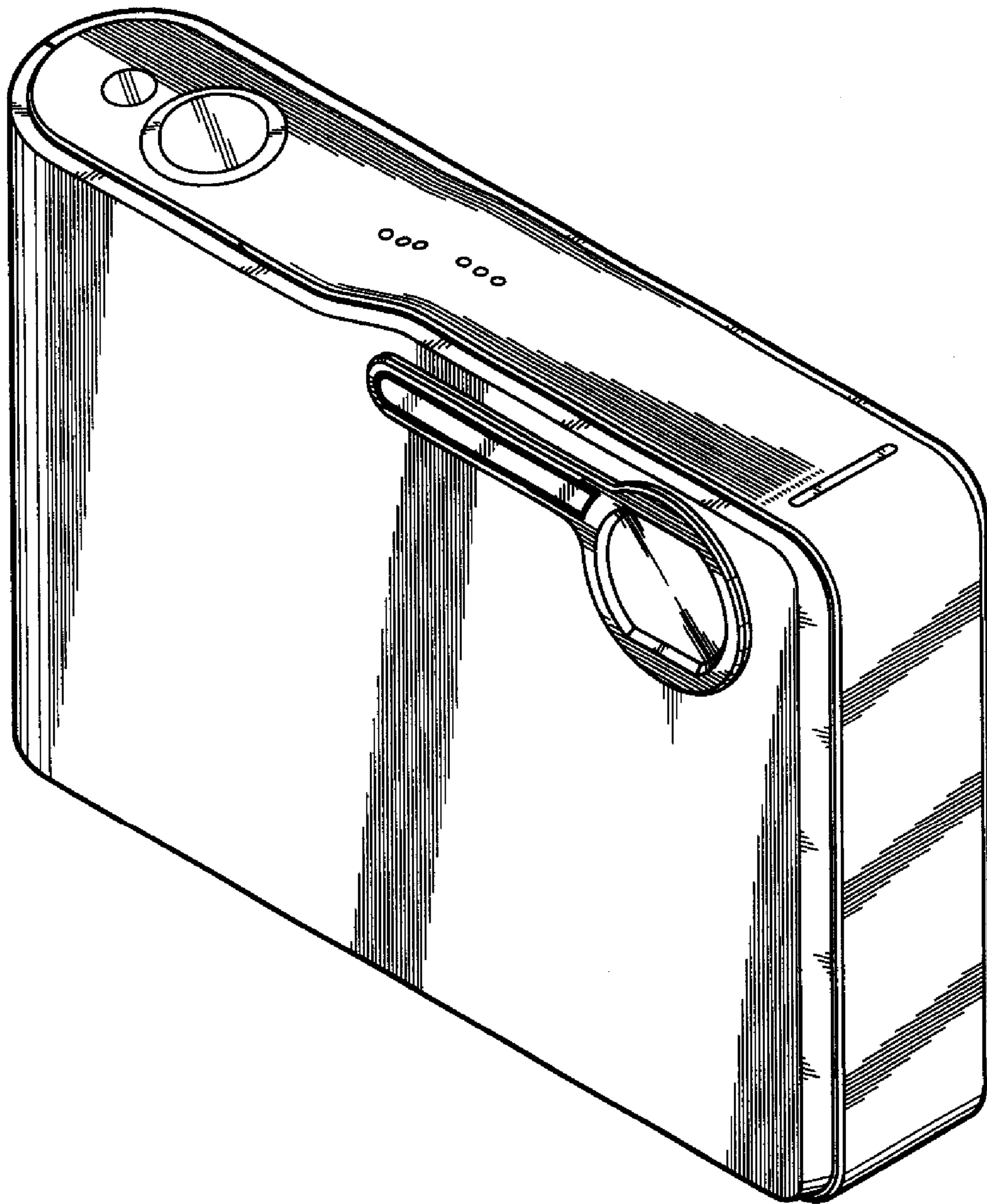


FIG. 1

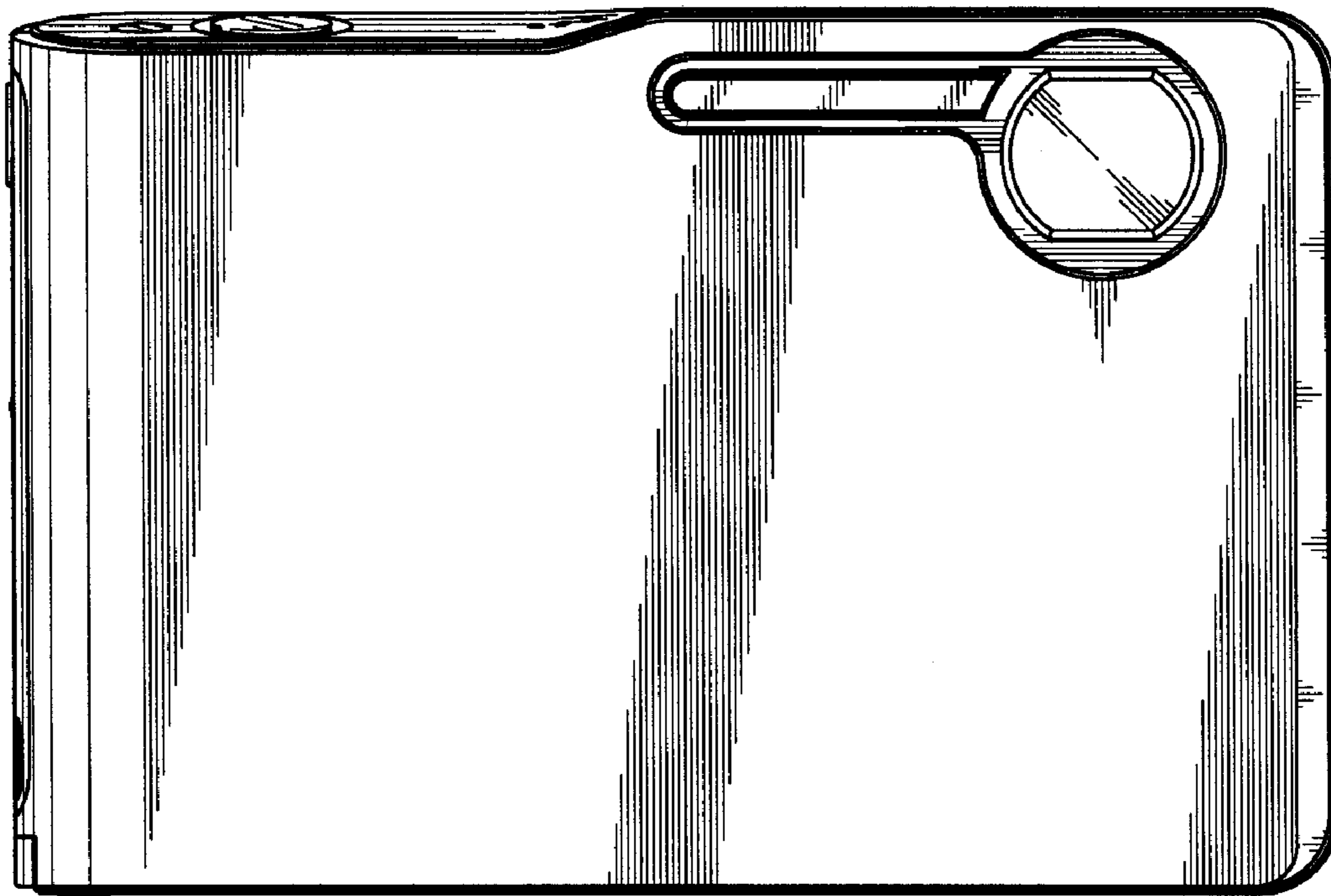


FIG.2

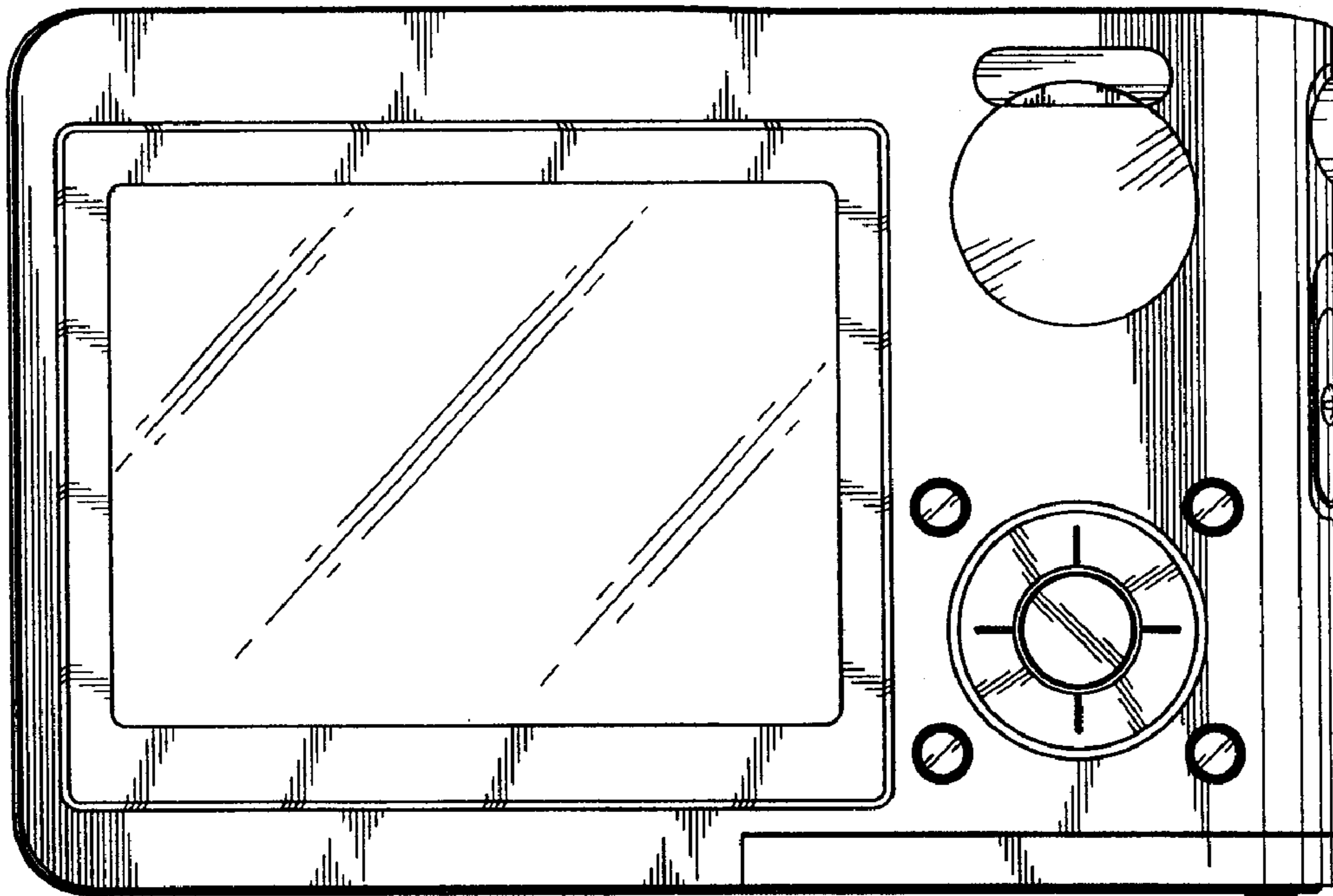


FIG. 3

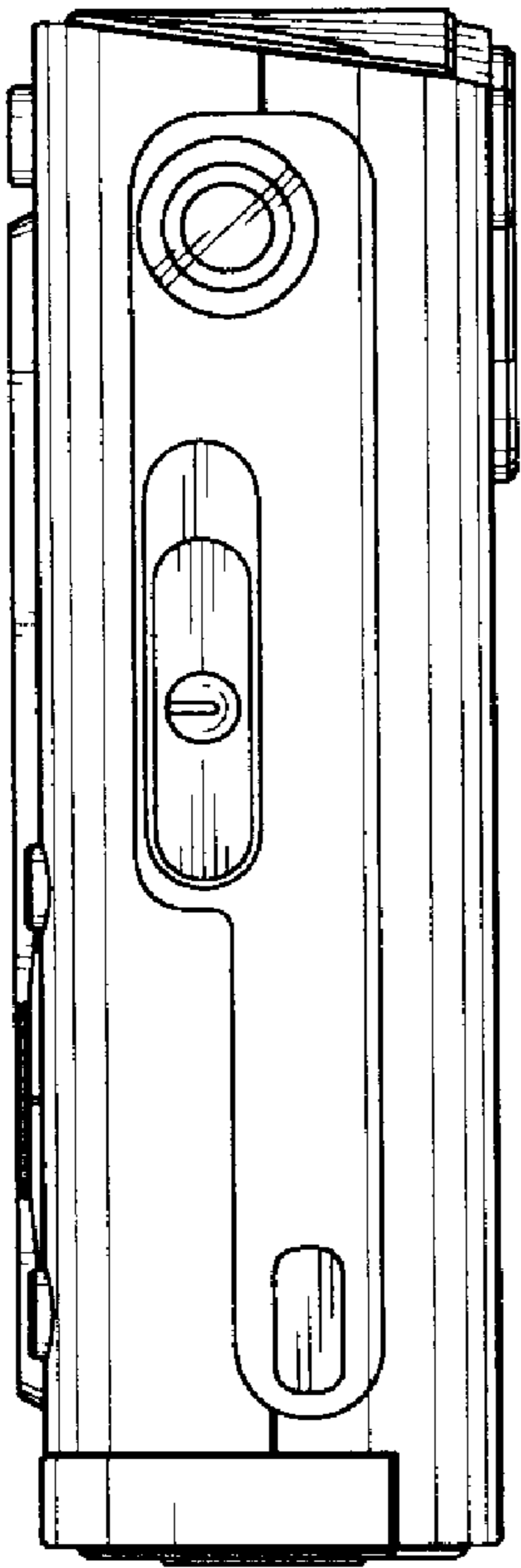


FIG. 4

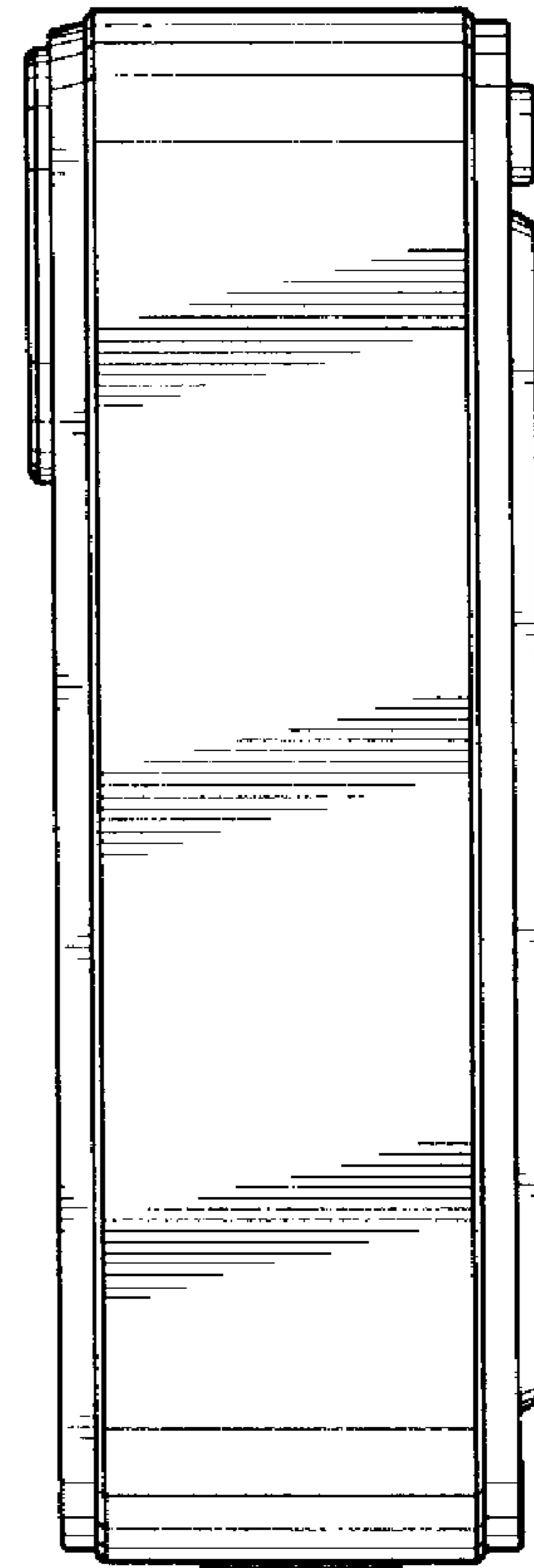


FIG. 5

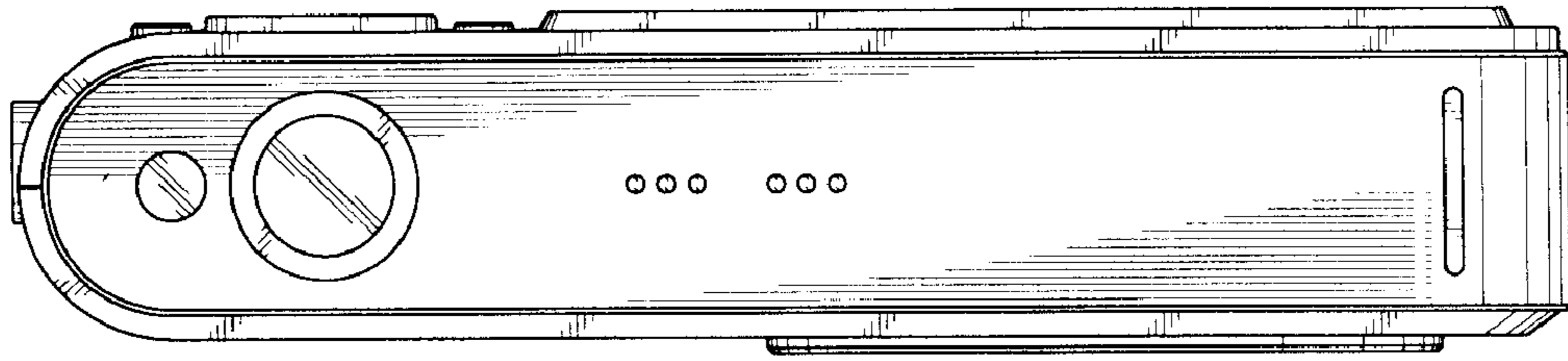


FIG. 6

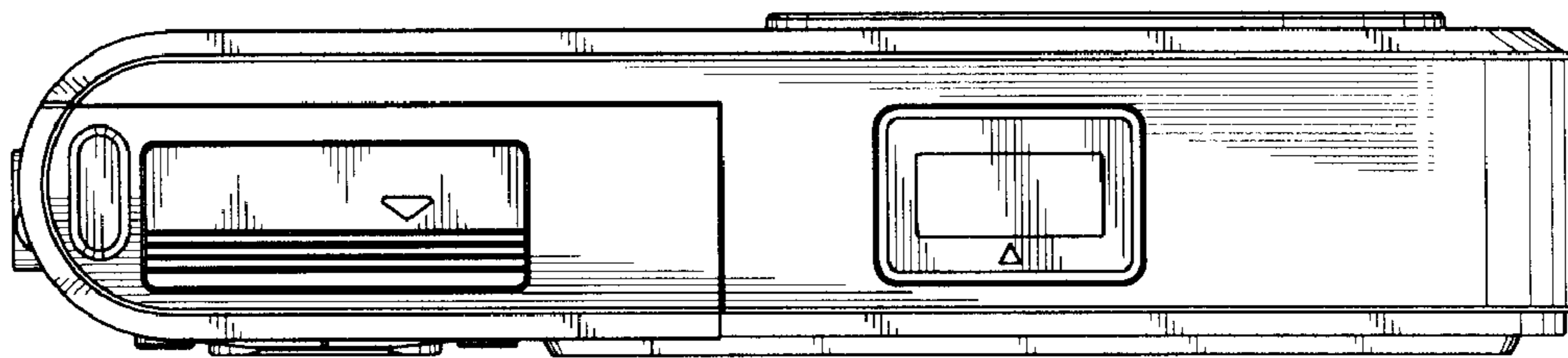


FIG. 7