



US00D522553S

(12) **United States Design Patent**
Yoo

(10) **Patent No.:** **US D522,553 S**
(45) **Date of Patent:** **** Jun. 6, 2006**

(54) **DIGITAL CAMERA**
(75) Inventor: **Seung Seup Yoo**, Seongnam-si (KR)
(73) Assignee: **Samsung Techwin Co., Ltd.**,
Changwon (KR)
(**) Term: **14 Years**

D495,351 S * 8/2004 Yi D16/202
D500,775 S * 1/2005 Iue D16/202
D505,967 S * 6/2005 Ko et al. D16/218

* cited by examiner

Primary Examiner—Adir Aronovich
(74) *Attorney, Agent, or Firm*—Gardner Carton & Douglas
LLP

(21) Appl. No.: **29/218,355**
(22) Filed: **Dec. 1, 2004**

(57) **CLAIM**

I claim the ornamental design for digital camera, as shown
and described.

(51) **LOC (8) Cl.** **16-01**
(52) **U.S. Cl.** **D16/202**
(58) **Field of Classification Search** D16/200–205,
D16/208, 218; 348/373–376; 358/909.1;
396/6, 535–541
See application file for complete search history.

DESCRIPTION

FIG. 1 is a perspective view of the design for a digital
camera;
FIG. 2 is a front view of the design of FIG. 1;
FIG. 3 is a rear elevational view of the design of FIG. 1;
FIG. 4 is a left side view of the design of FIG. 1;
FIG. 5 is a right side view of the design of FIG. 1;
FIG. 6 is a top view of the design of FIG. 1;
FIG. 7 is a bottom view of the design of FIG. 1; and,
FIG. 8 is a front perspective view, with the lens in an
extended position.

(56) **References Cited**

U.S. PATENT DOCUMENTS

D445,440 S * 7/2001 Chen D16/202
D450,073 S * 11/2001 Sumita D16/202
D480,742 S * 10/2003 Chin D16/202
D494,990 S * 8/2004 Su et al. D16/202
D495,350 S * 8/2004 Yoo D16/202

1 Claim, 5 Drawing Sheets

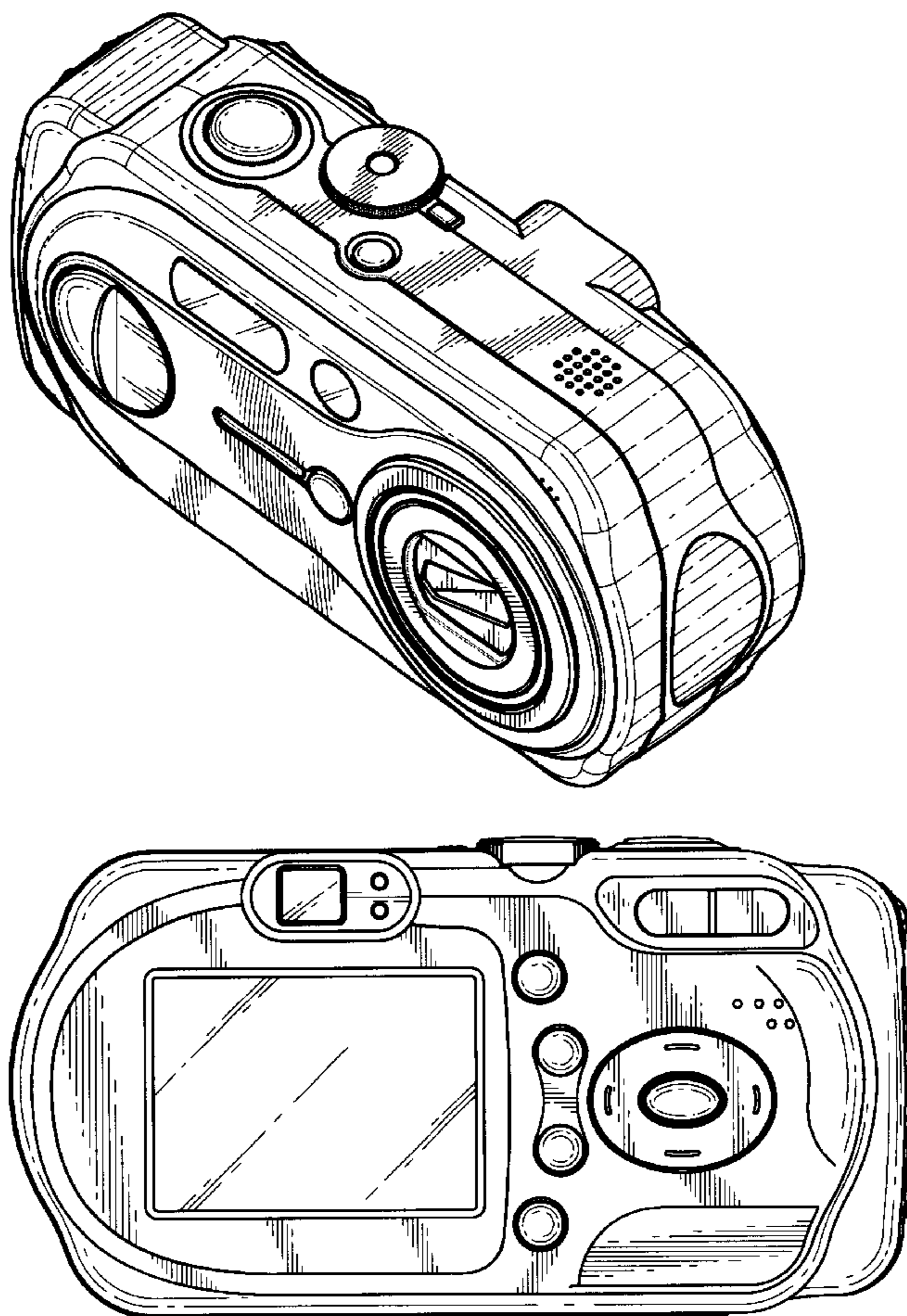


FIG. 1

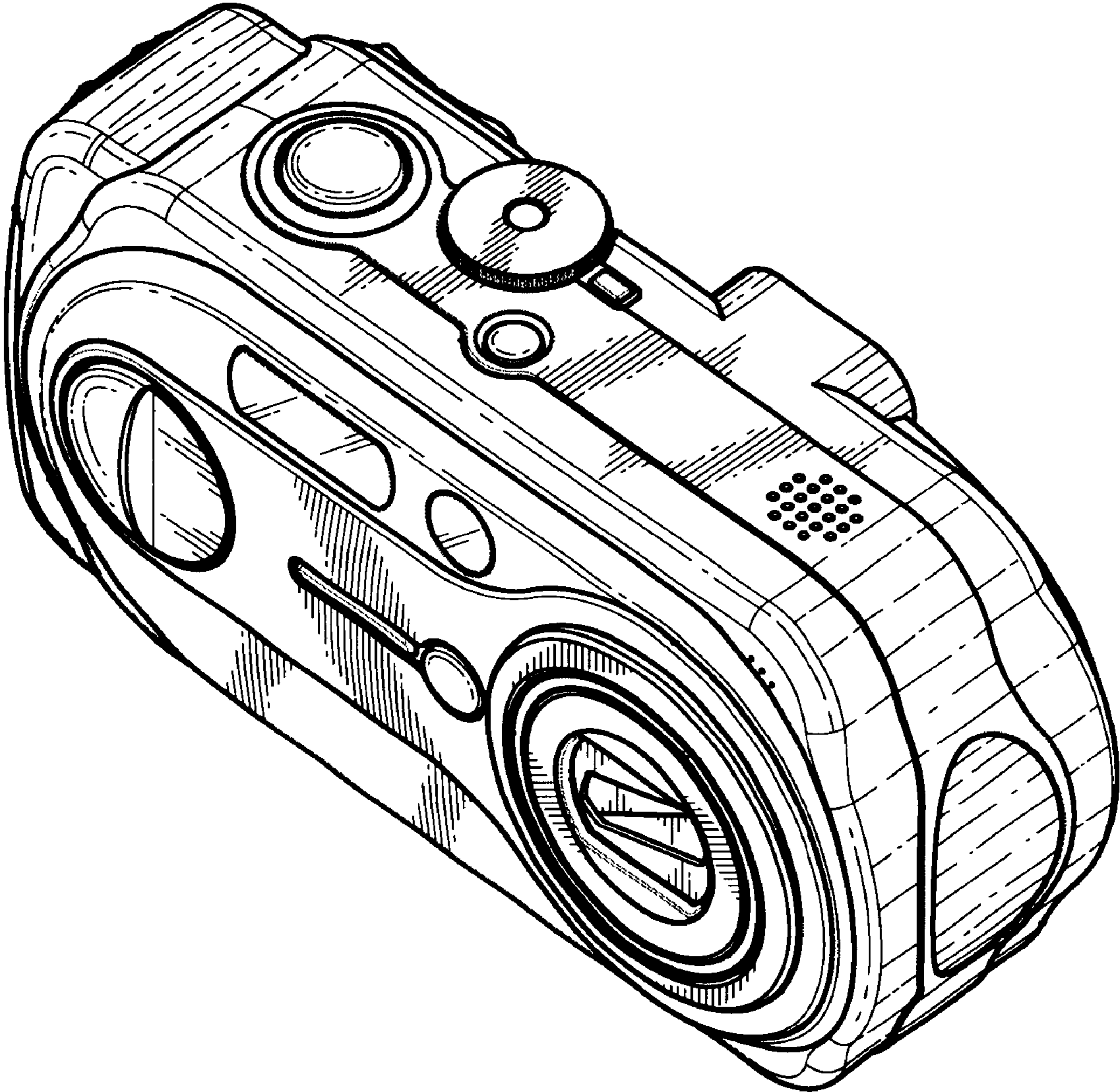


FIG. 2

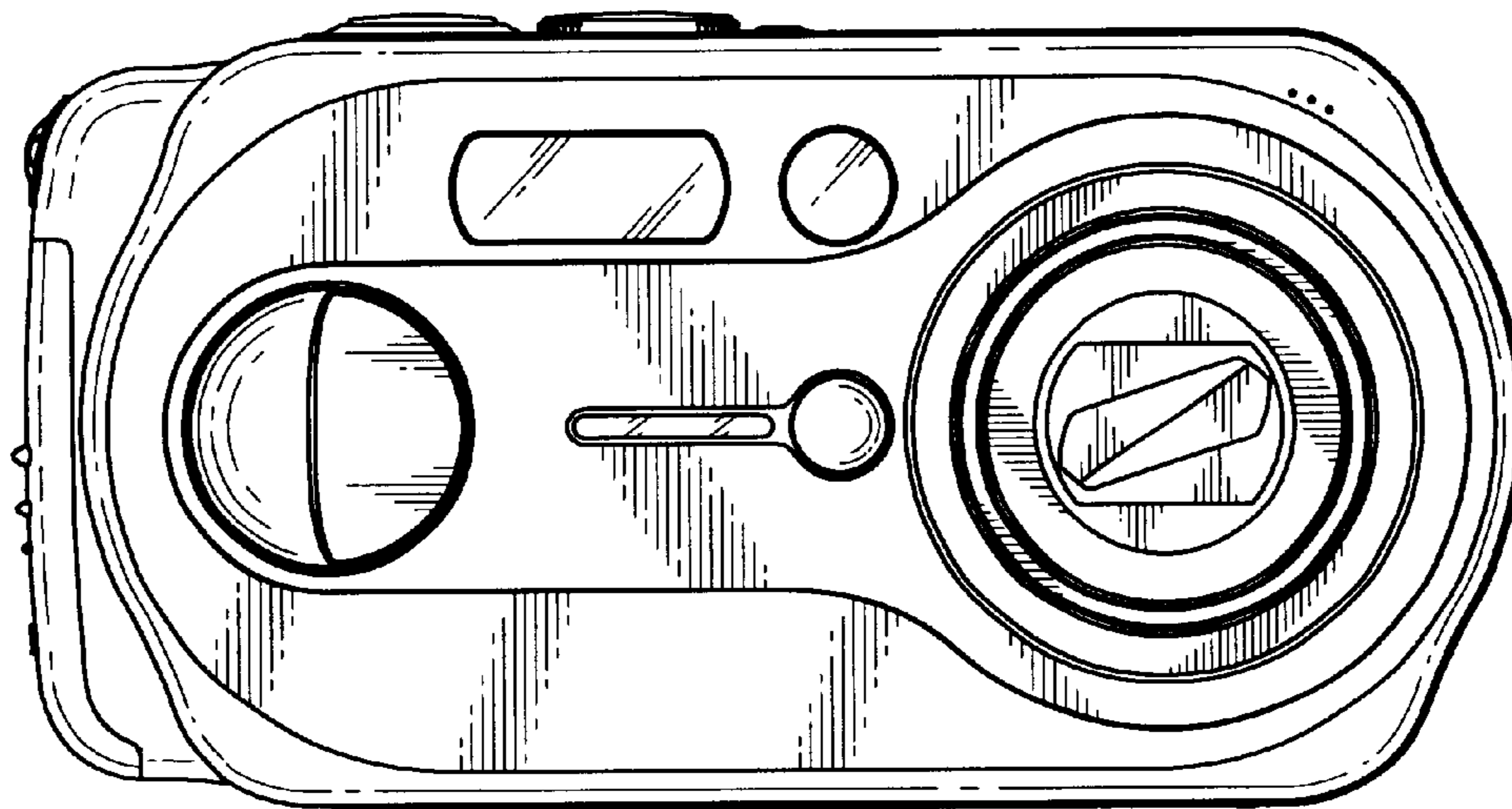


FIG. 3

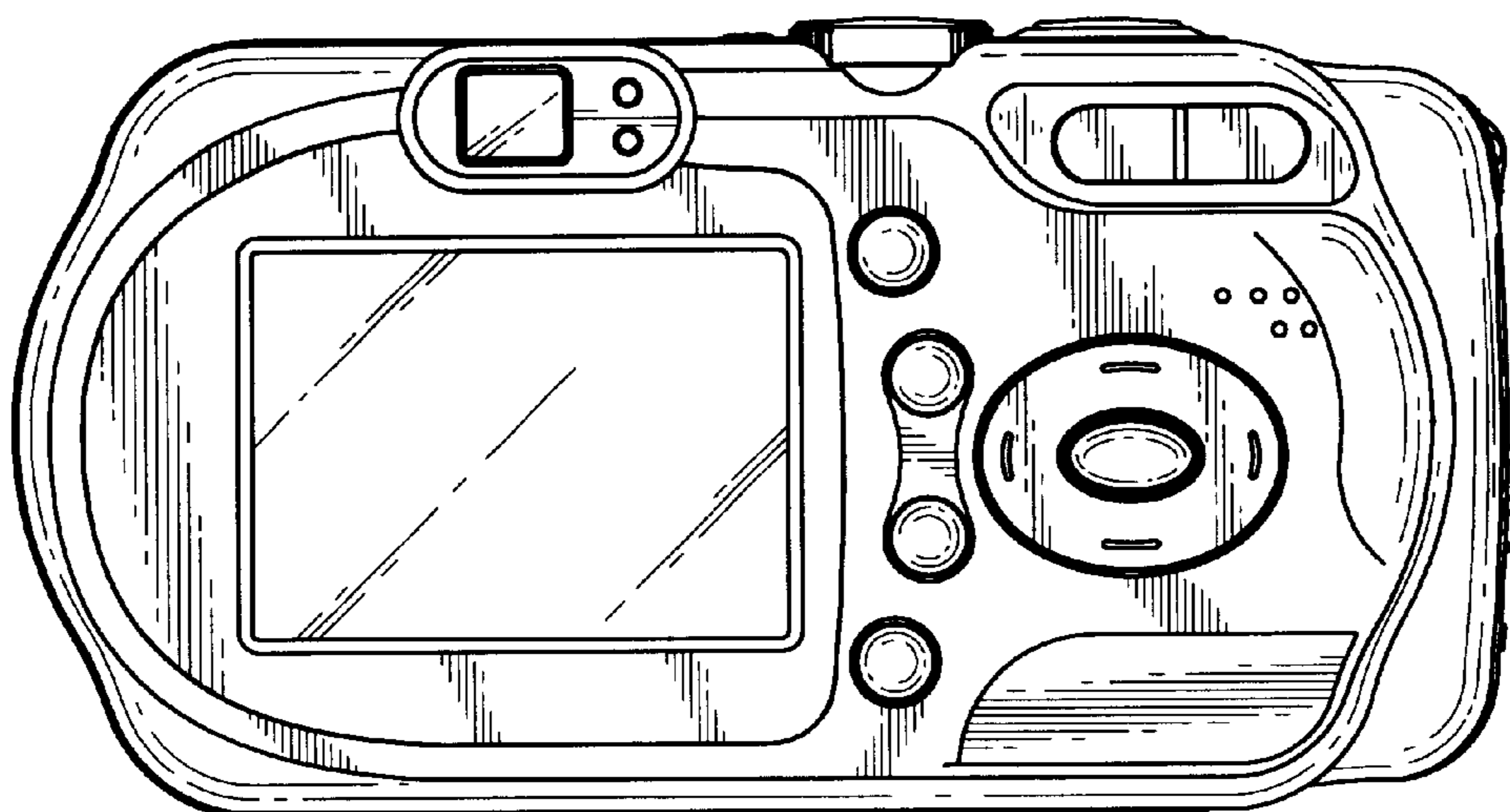


FIG. 4

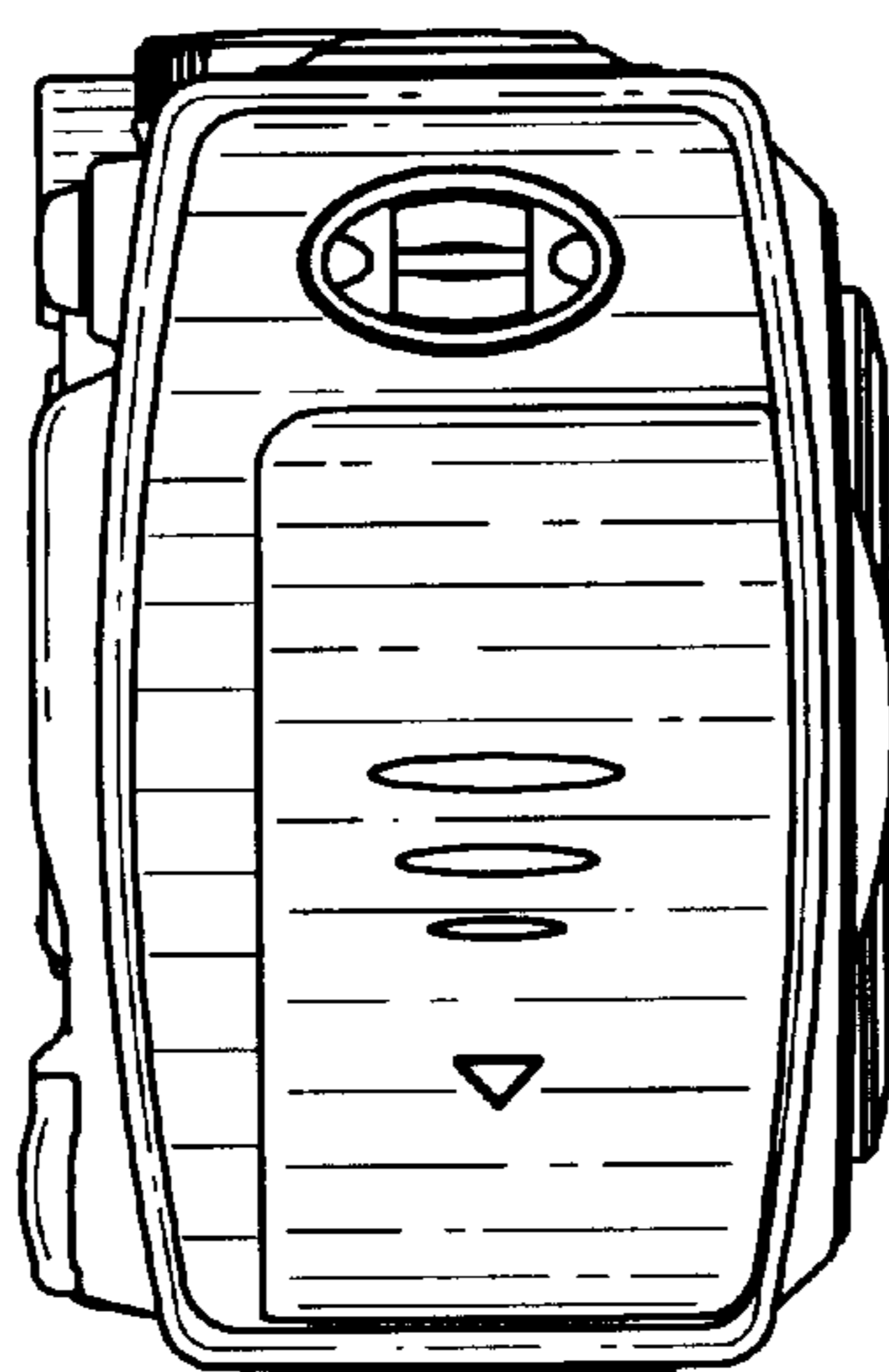


FIG. 5

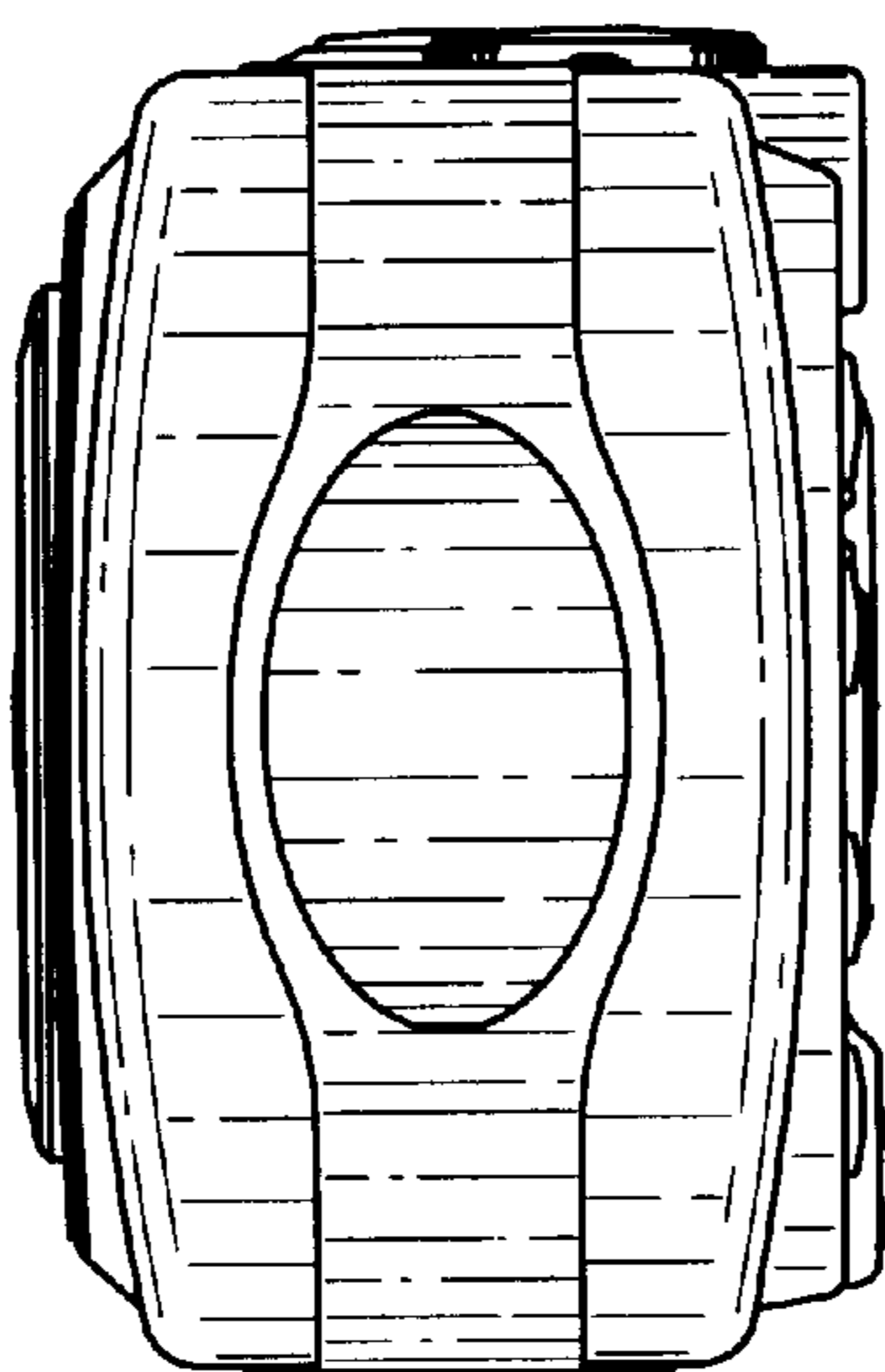


FIG. 6

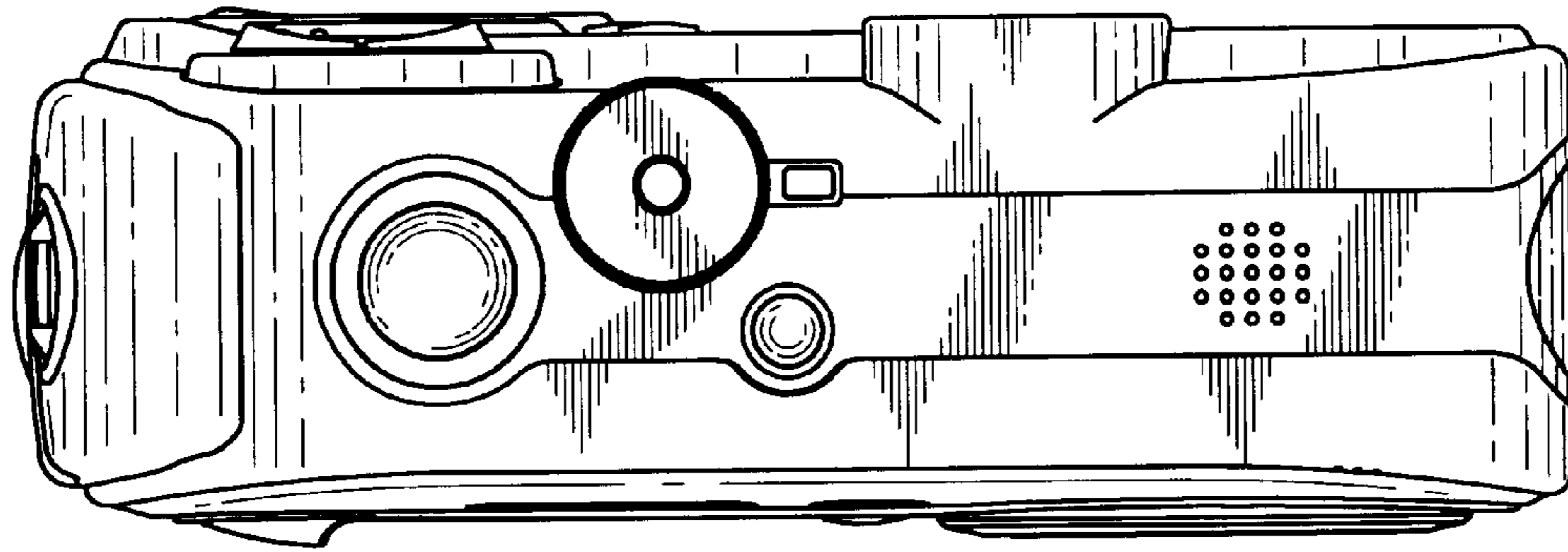


FIG. 7

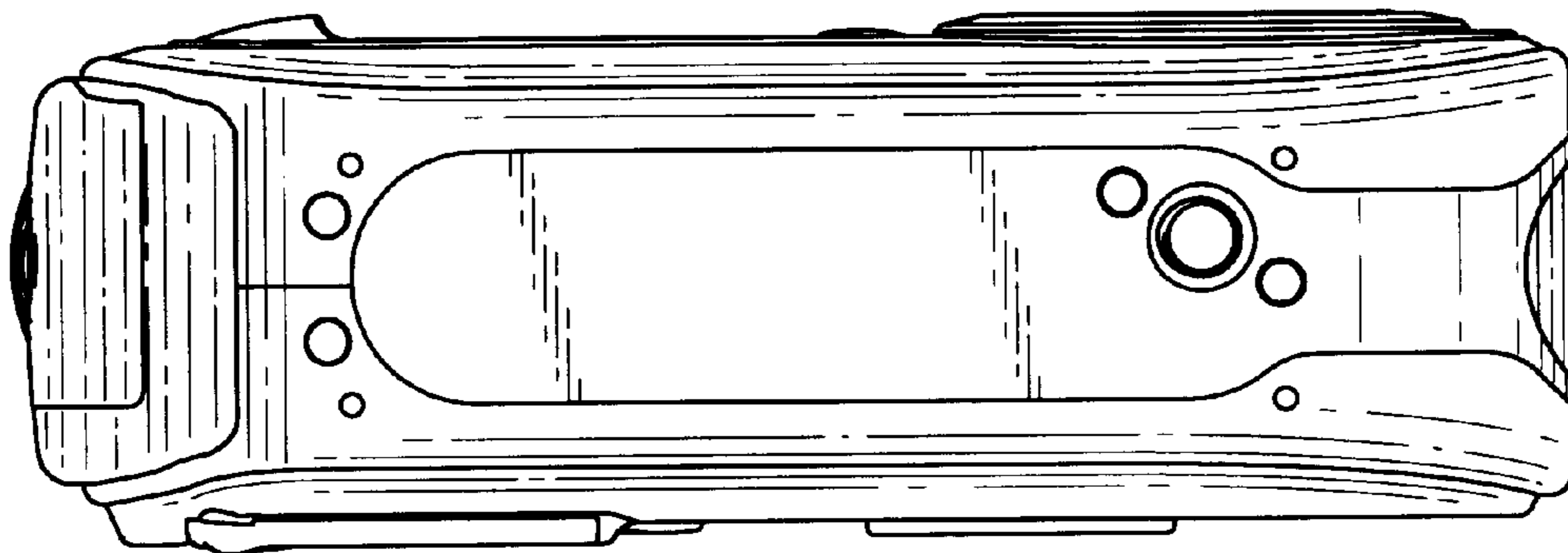


FIG. 8

