



US00D522552S

(12) **United States Design Patent**  
**Kuroda**

(10) **Patent No.:** **US D522,552 S**

(45) **Date of Patent:** **\*\* Jun. 6, 2006**

(54) **DIGITAL CAMERA**

(75) Inventor: **Tetsuji Kuroda**, Tokyo (JP)

(73) Assignee: **PENTAX Corporation**, Tokyo (JP)

(\*\*) Term: **14 Years**

(21) Appl. No.: **29/216,996**

(22) Filed: **Nov. 12, 2004**

(30) **Foreign Application Priority Data**

Jun. 10, 2004 (JP) ..... 2004-017296

(51) **LOC (8) Cl.** ..... **16-01**

(52) **U.S. Cl.** ..... **D16/202**

(58) **Field of Classification Search** ..... D16/200–205,  
D16/208, 209, 218, 219; 348/373–376; 358/909.1;  
396/535–541

See application file for complete search history.

(56) **References Cited**

**U.S. PATENT DOCUMENTS**

D445,440 S	*	7/2001	Chen	.....	D16/202
6,434,337 B1	*	8/2002	Misawa	.....	358/909.1
D480,742 S	*	10/2003	Chin	.....	D16/202
D494,612 S	*	8/2004	Yang et al.	.....	D16/202
D495,351 S	*	8/2004	Yi	.....	D16/202
D502,479 S	*	3/2005	Nishizawa et al.	.....	D16/202
D502,480 S	*	3/2005	Nagayama	.....	D16/202

D503,946 S \* 4/2005 Chao et al. .... D16/202

\* cited by examiner

*Primary Examiner*—Adir Aronovich

(74) *Attorney, Agent, or Firm*—Sughrue Mion, PLLC

(57) **CLAIM**

The ornamental design for a digital camera, as shown and described.

**DESCRIPTION**

FIG. 1 is a perspective view of the front, right, and top sides of a digital camera showing my new design;

FIG. 2 is a top plan view thereof;

FIG. 3 is a front elevational view thereof;

FIG. 4 is a left side elevational view thereof;

FIG. 5 is a right side elevational view thereof;

FIG. 6 is a rear elevational view thereof;

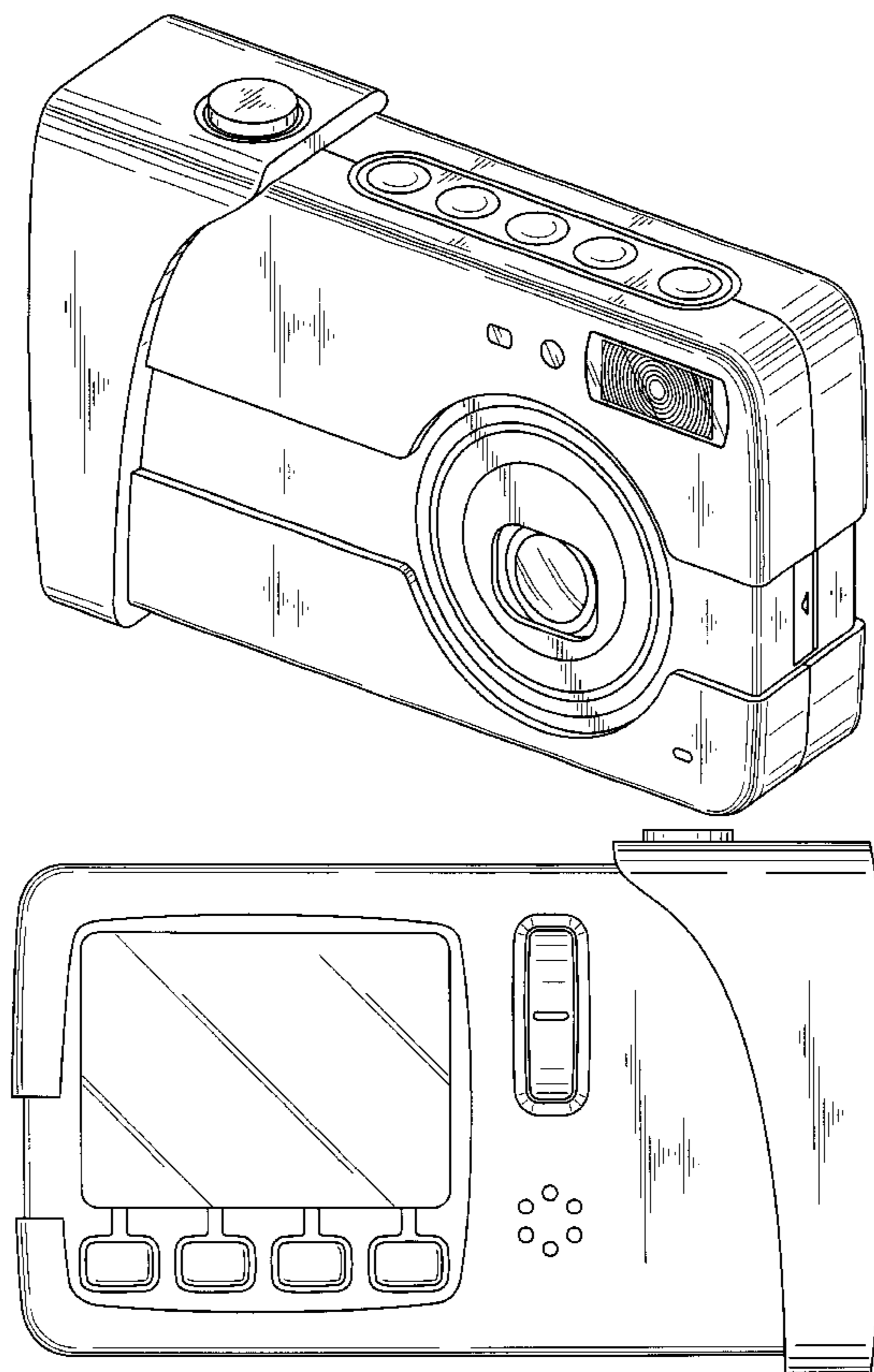
FIG. 7 is a bottom plan view thereof;

FIG. 8 is a right side elevational reference view thereof showing a fully extended position of a zoom lens of the digital camera; and,

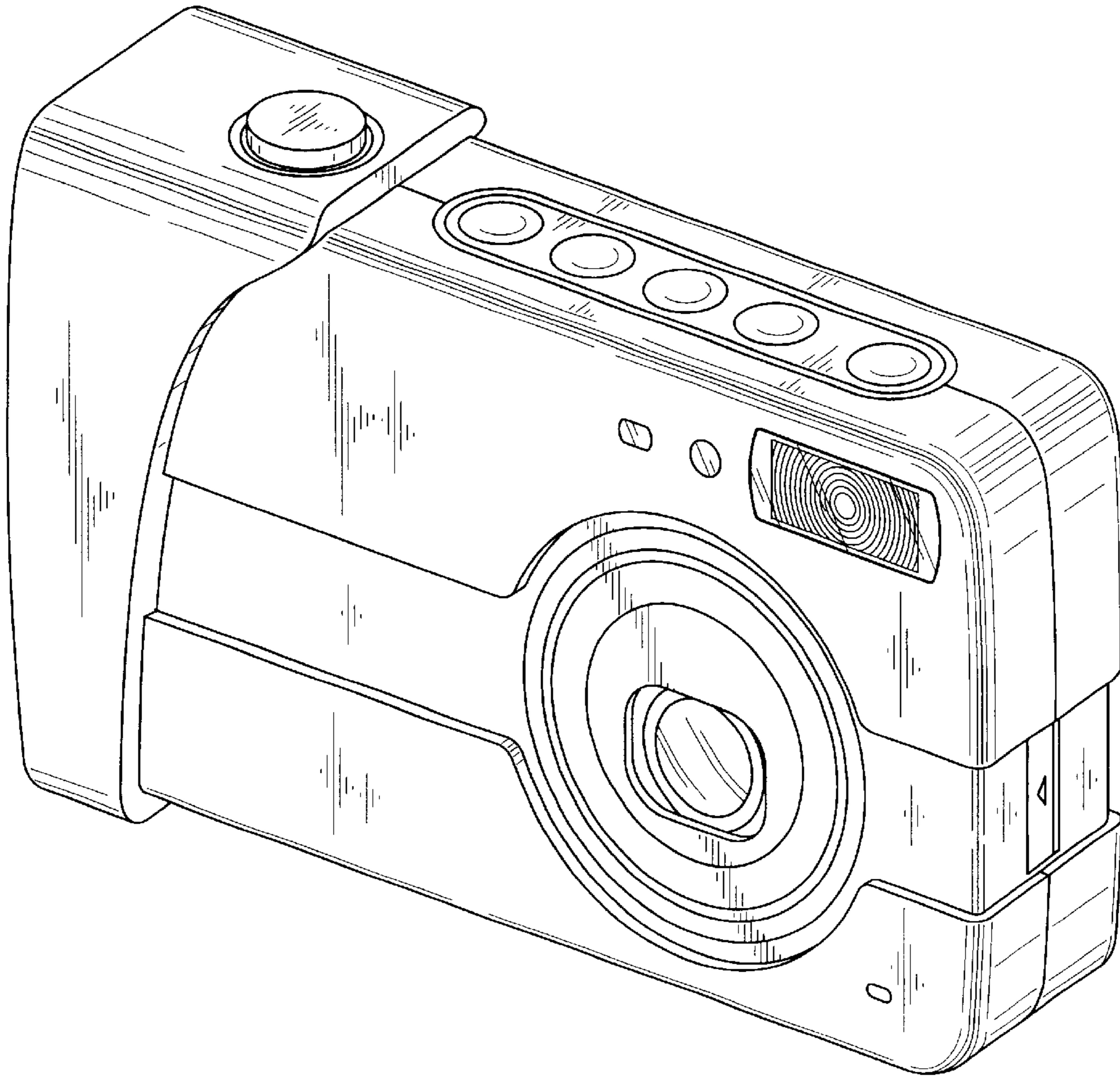
FIG. 9 is a front elevational reference view thereof in a condition of a case cover being placed on the digital camera.

In FIG. 9, the case cover is shown in broken lines for illustrative purposes only and forms no part of the claimed design.

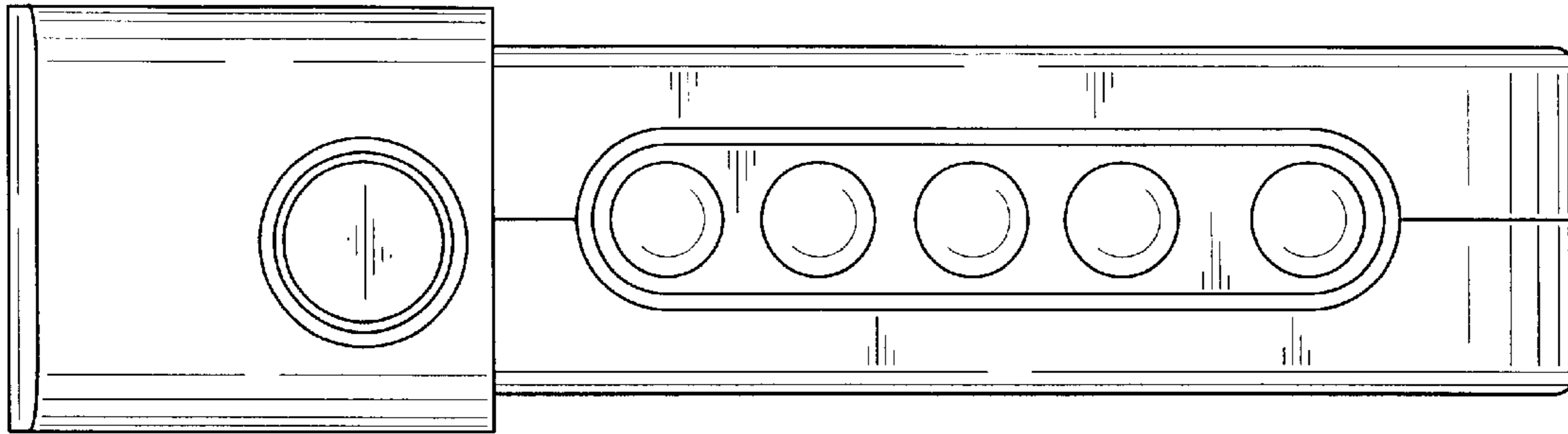
**1 Claim, 5 Drawing Sheets**



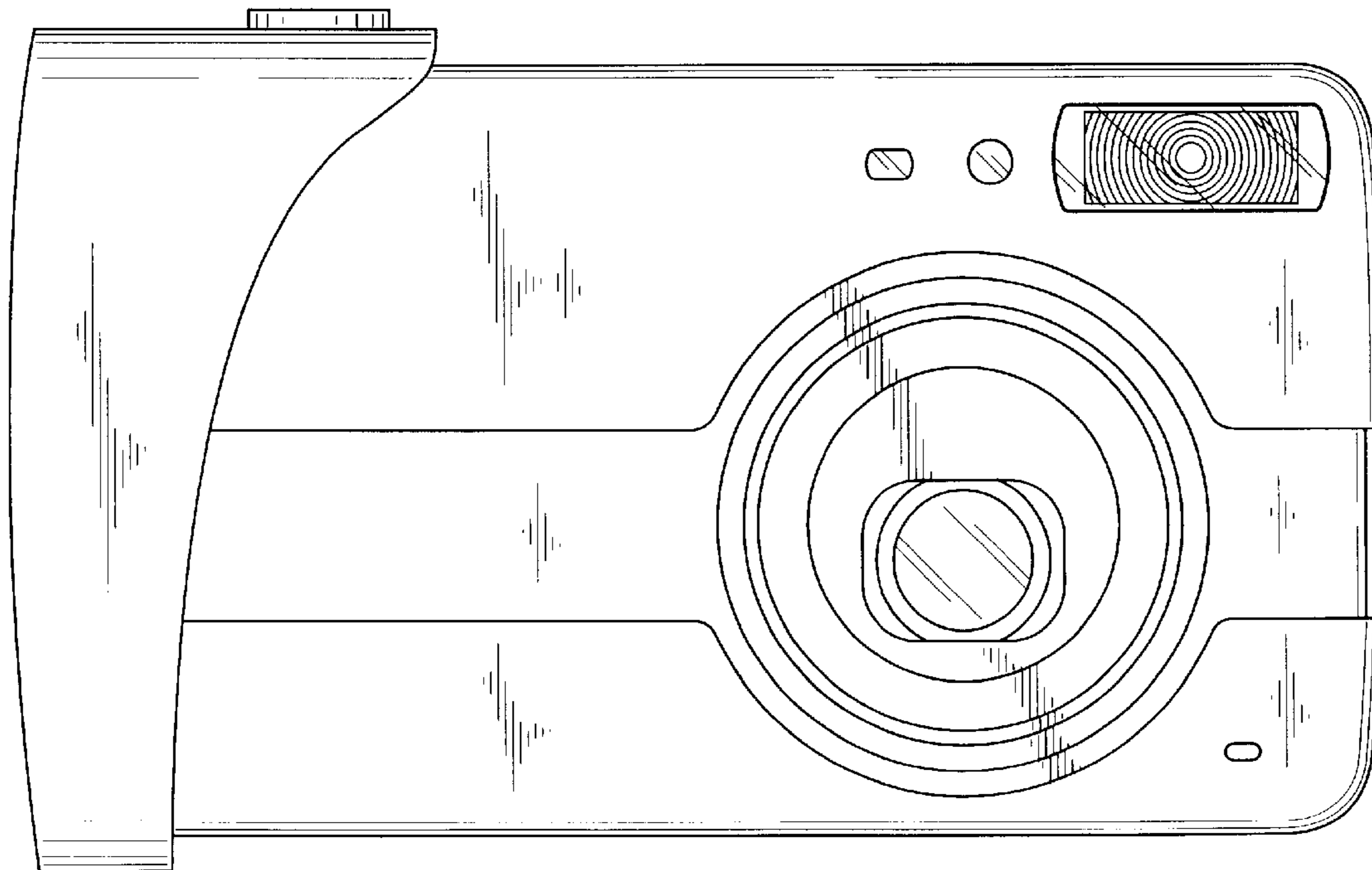
*FIG. 1*



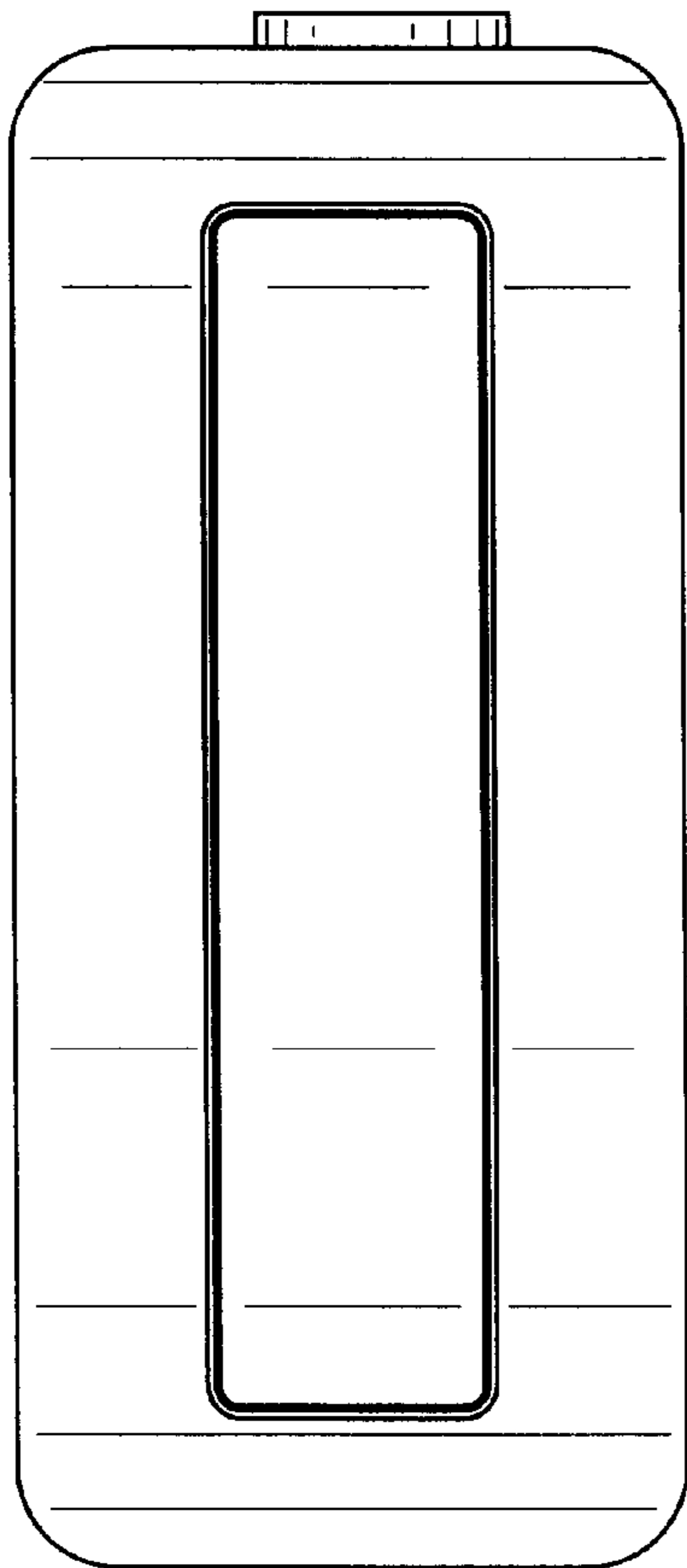
*FIG. 2*



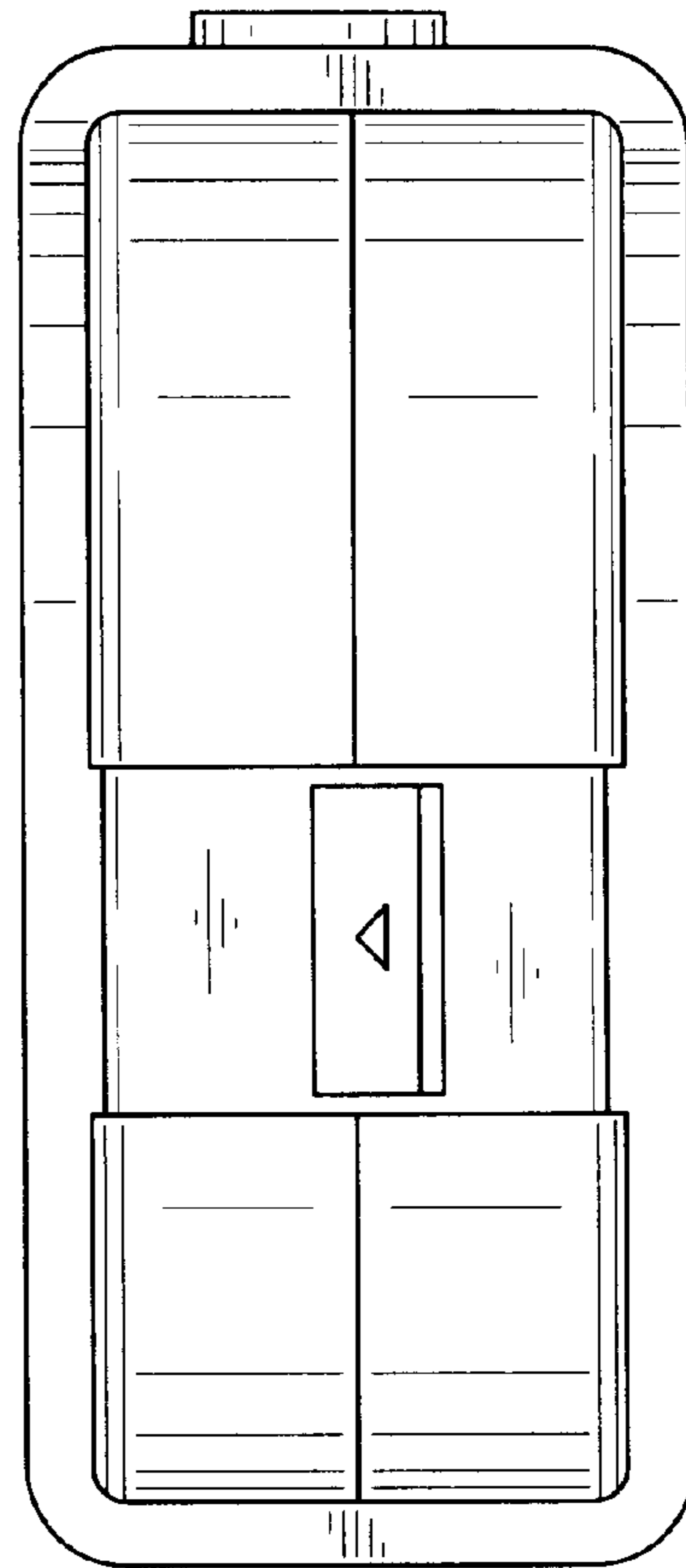
*FIG. 3*



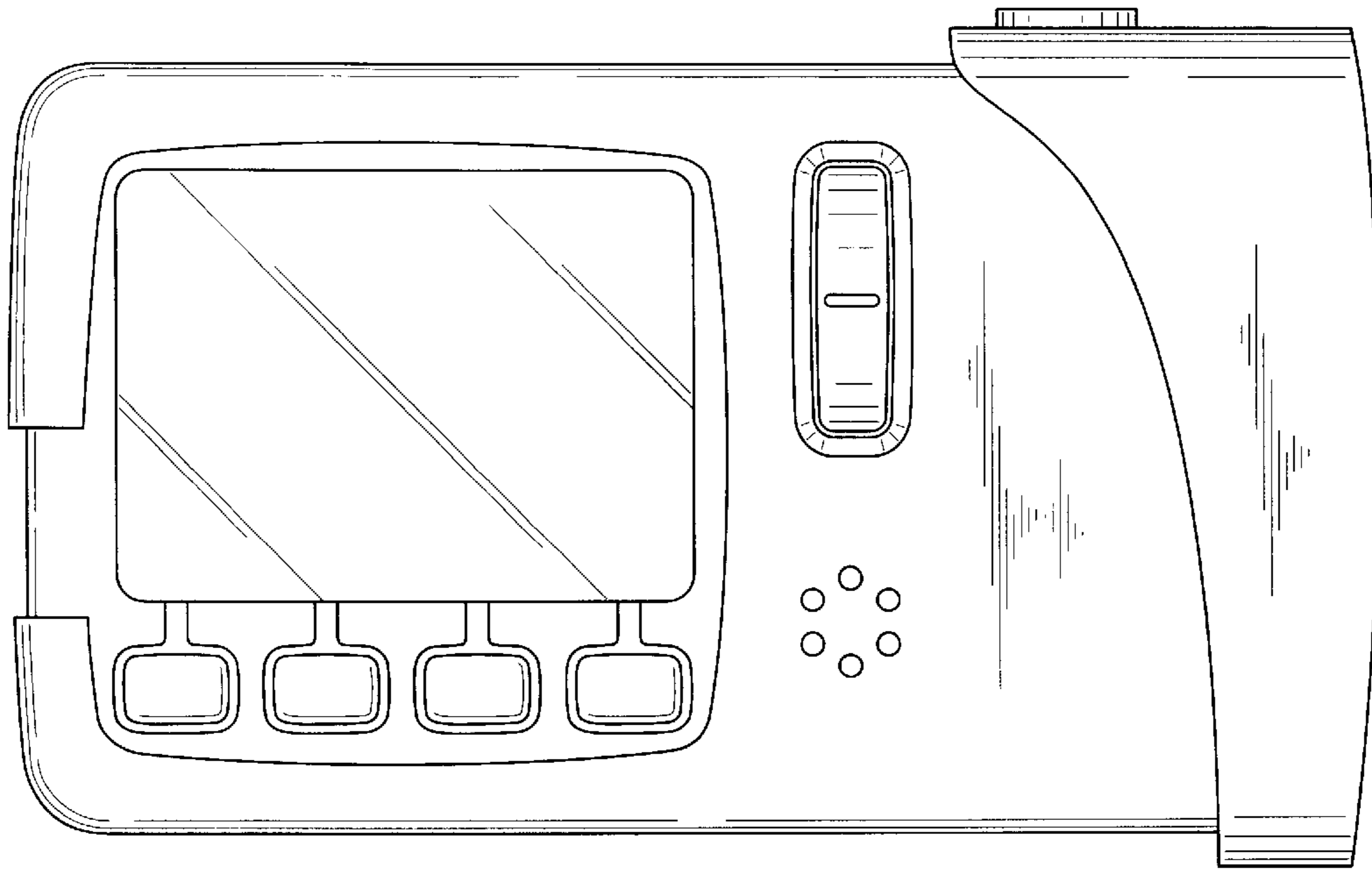
*FIG. 4*



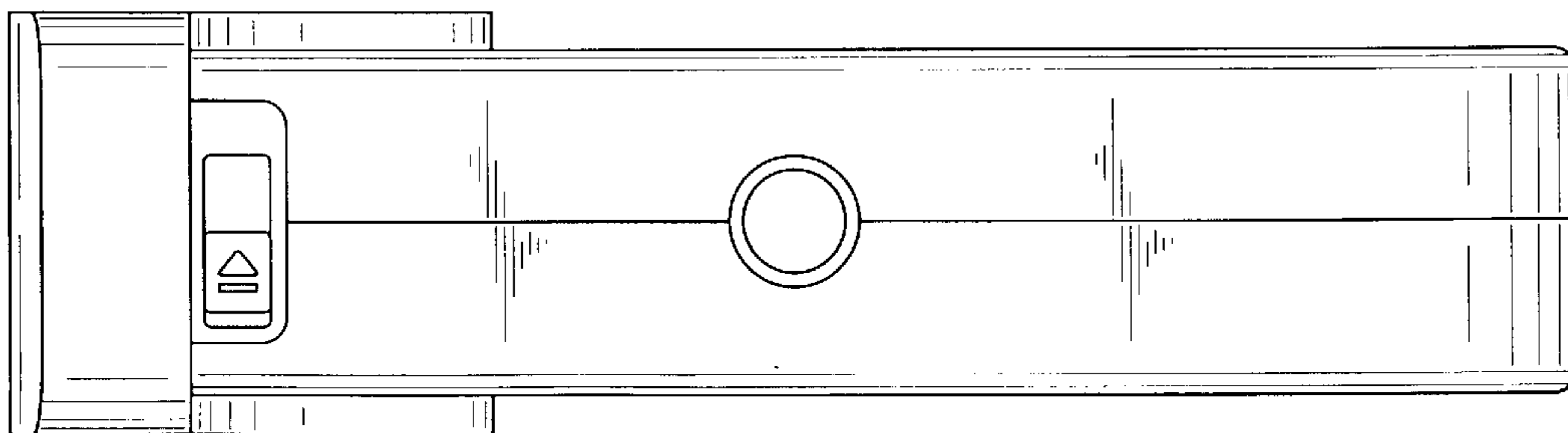
*FIG. 5*



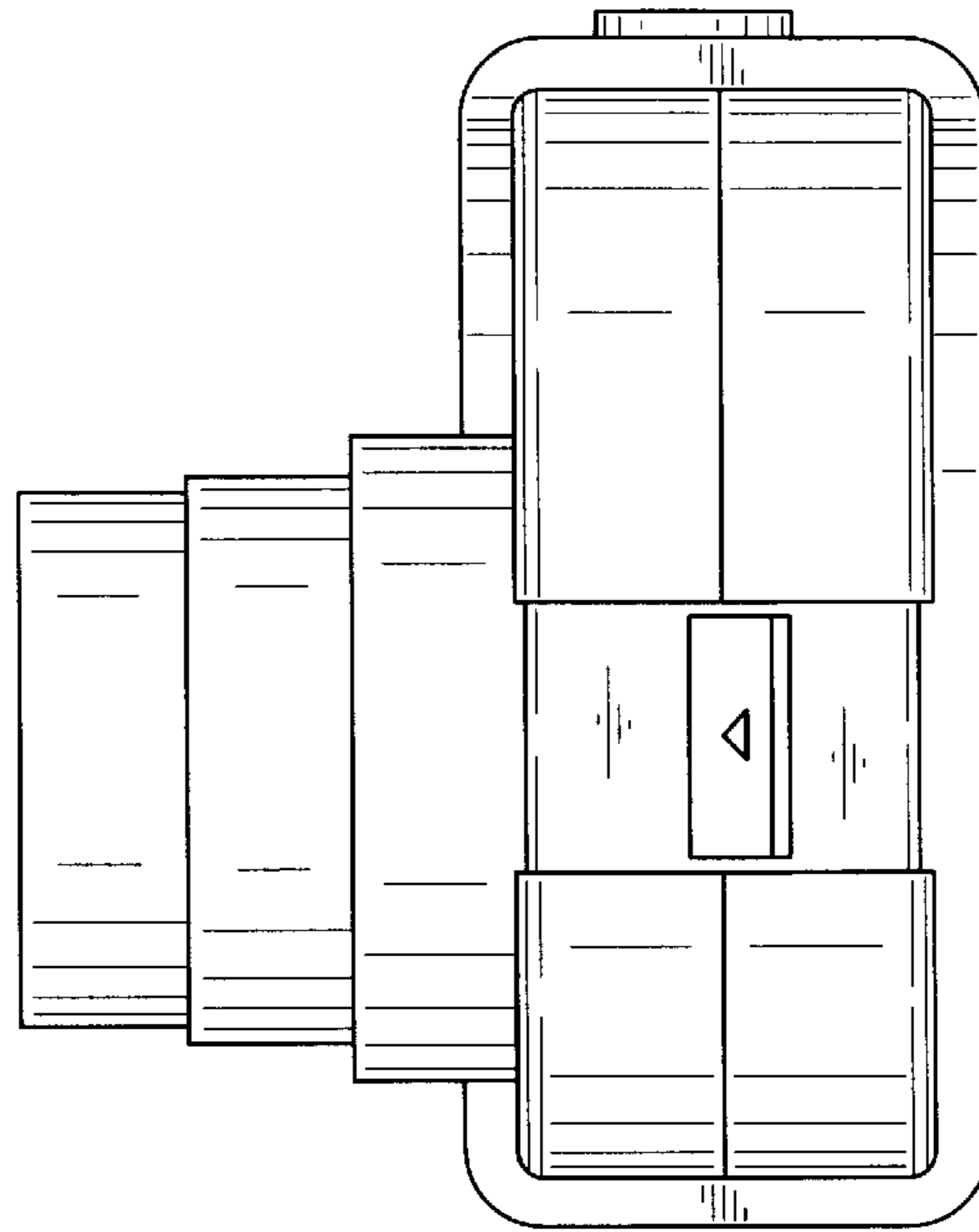
*FIG. 6*



*FIG. 7*



**FIG. 8**



**FIG. 9**

