



US00D522551S

(12) **United States Design Patent**
Hayashi

(10) **Patent No.:** **US D522,551 S**

(45) **Date of Patent:** **** *Jun. 6, 2006**

(54) **BINOCULARS**

D473,247 S * 4/2003 Koinuma D16/133
D474,790 S * 5/2003 Igarashi D16/133

(75) Inventor: **Tatsuyuki Hayashi**, Tokyo (JP)

OTHER PUBLICATIONS

(73) Assignee: **PENTAX Corporation**, Tokyo (JP)

U.S. Appl. No. 29/210,715, filed Aug. 5, 2004, Tatsuyuki Hayashi.

(*) Notice: This patent is subject to a terminal disclaimer.

U.S. Appl. No. 29/210,717, filed Aug. 5, 2004, Tatsuyuki Hayashi.

(**) Term: **14 Years**

U.S. Appl. No. 29/210,704, filed Aug. 5, 2004, Tatsuyuki Hayashi.

(21) Appl. No.: **29/210,718**

U.S. Appl. No. 29/211,062, filed Aug. 11, 2004, Tatsuyuki Hayashi.

(22) Filed: **Aug. 5, 2004**

* cited by examiner

(30) **Foreign Application Priority Data**

Primary Examiner—Paula A. Greene

Feb. 6, 2004 (JP) 2004-002972

(74) *Attorney, Agent, or Firm*—Sughrue Mion, PLLC

(51) **LOC (8) Cl.** **16-06**

(57) **CLAIM**

(52) **U.S. Cl.** **D16/133**

The ornamental design for binoculars, as shown and described.

(58) **Field of Classification Search** D16/130,
D16/132, 133; 359/407, 408, 409, 410, 411,
359/412, 413, 414, 415, 416, 417, 418, 419

DESCRIPTION

See application file for complete search history.

FIG. 1 is a perspective view of the top, front and right side of binoculars showing my new design;
FIG. 2 is a perspective view of the top, rear and left side thereof;

(56) **References Cited**

U.S. PATENT DOCUMENTS

| | | | | | |
|------------|---|---------|-----------------|-------|---------|
| D246,653 S | * | 12/1977 | Tomatsuri | | D16/133 |
| D306,606 S | * | 3/1990 | Yamanaka et al. | | D16/133 |
| D359,973 S | * | 7/1995 | Hayamizu | | D16/133 |
| D362,257 S | * | 9/1995 | Palmer | | D16/133 |
| D364,631 S | * | 11/1995 | Hamamura | | D16/133 |
| D380,223 S | * | 6/1997 | Palmer | | D16/133 |
| D395,055 S | * | 6/1998 | Lee | | D16/133 |
| D396,480 S | * | 7/1998 | Kung | | D16/133 |
| D413,131 S | * | 8/1999 | Koinuma | | D16/133 |
| D418,850 S | * | 1/2000 | Lee | | D16/133 |
| D457,541 S | * | 5/2002 | Hayashi | | D16/133 |

FIG. 3 is a front elevational view thereof;
FIG. 4 is a rear elevational view thereof;
FIG. 5 is a right side elevational view thereof;
FIG. 6 is a left side elevational view thereof;
FIG. 7 is a top plan view thereof; and,
FIG. 8 is a bottom plan view thereof.
The elements shown in broken lines are for illustrative purposes only and form no part of the claimed design.

1 Claim, 6 Drawing Sheets

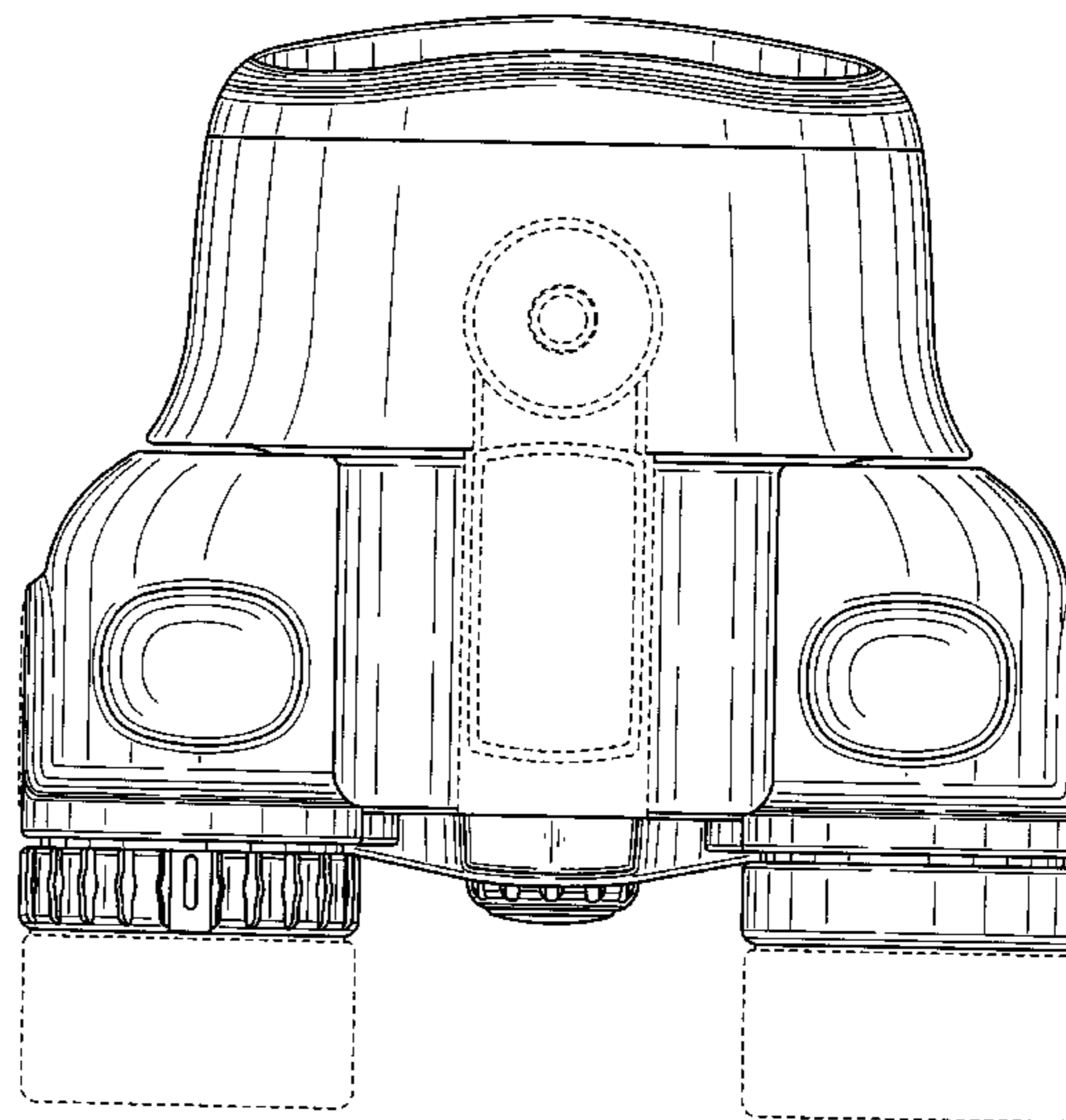
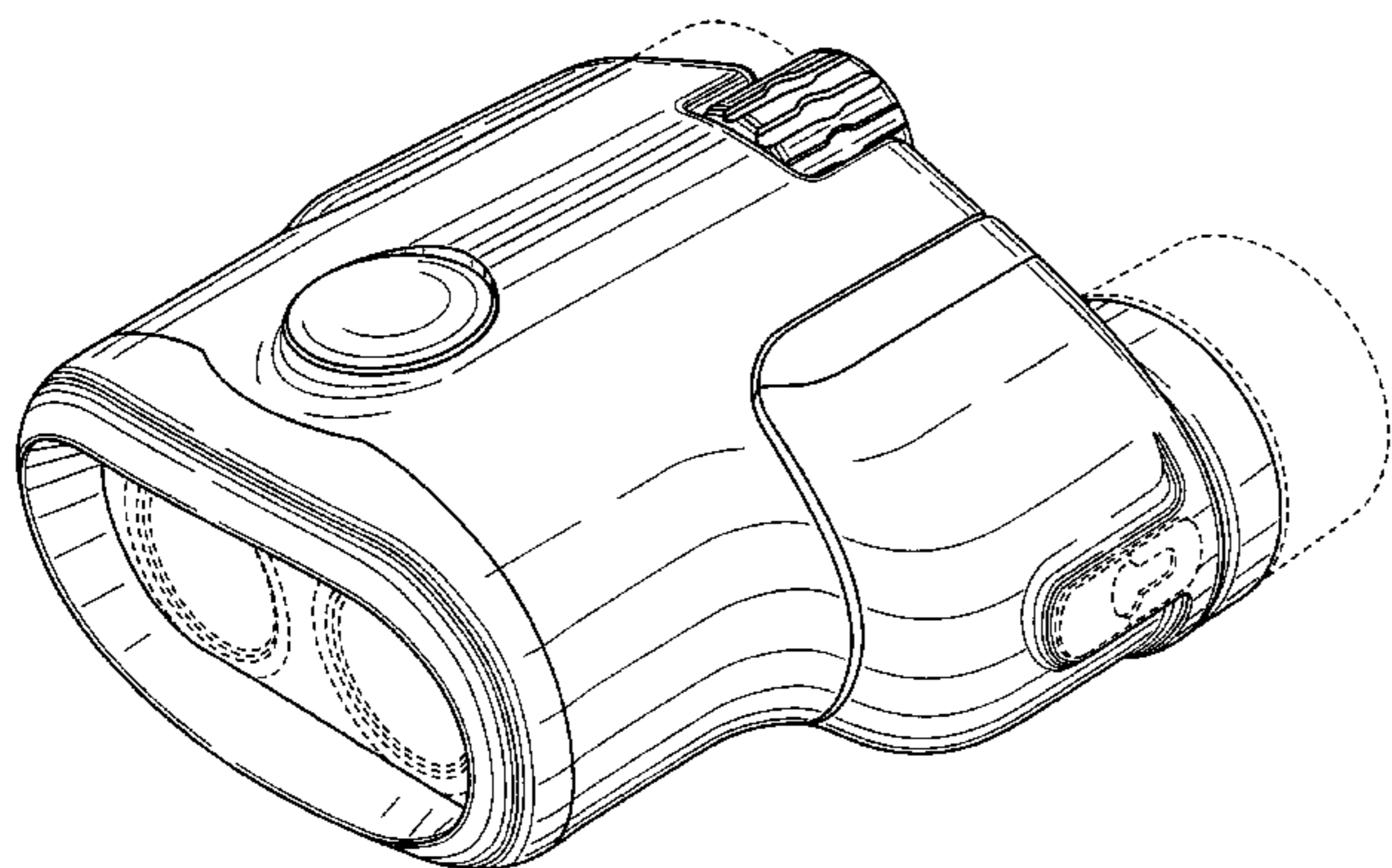


FIG. 1

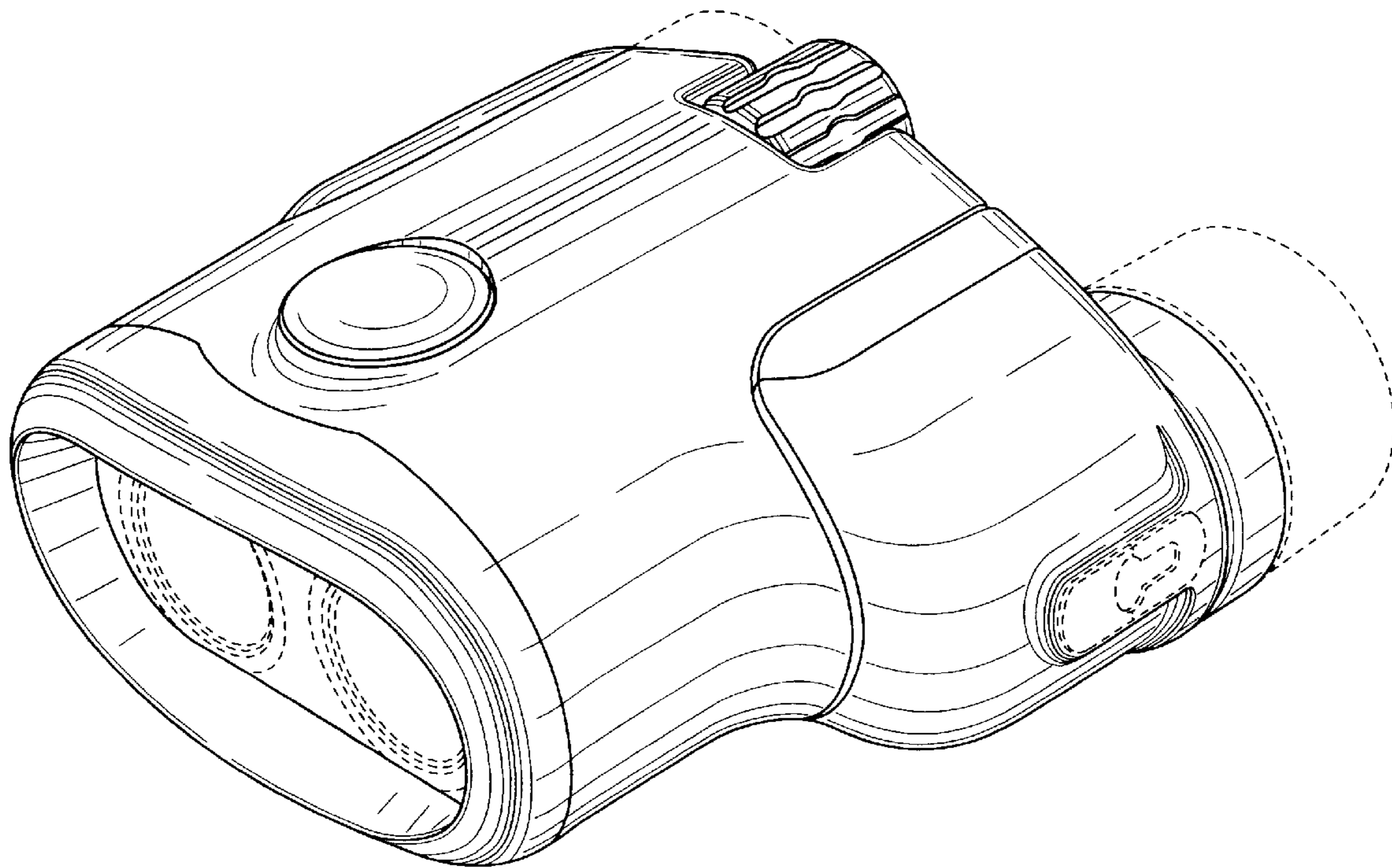


FIG. 2

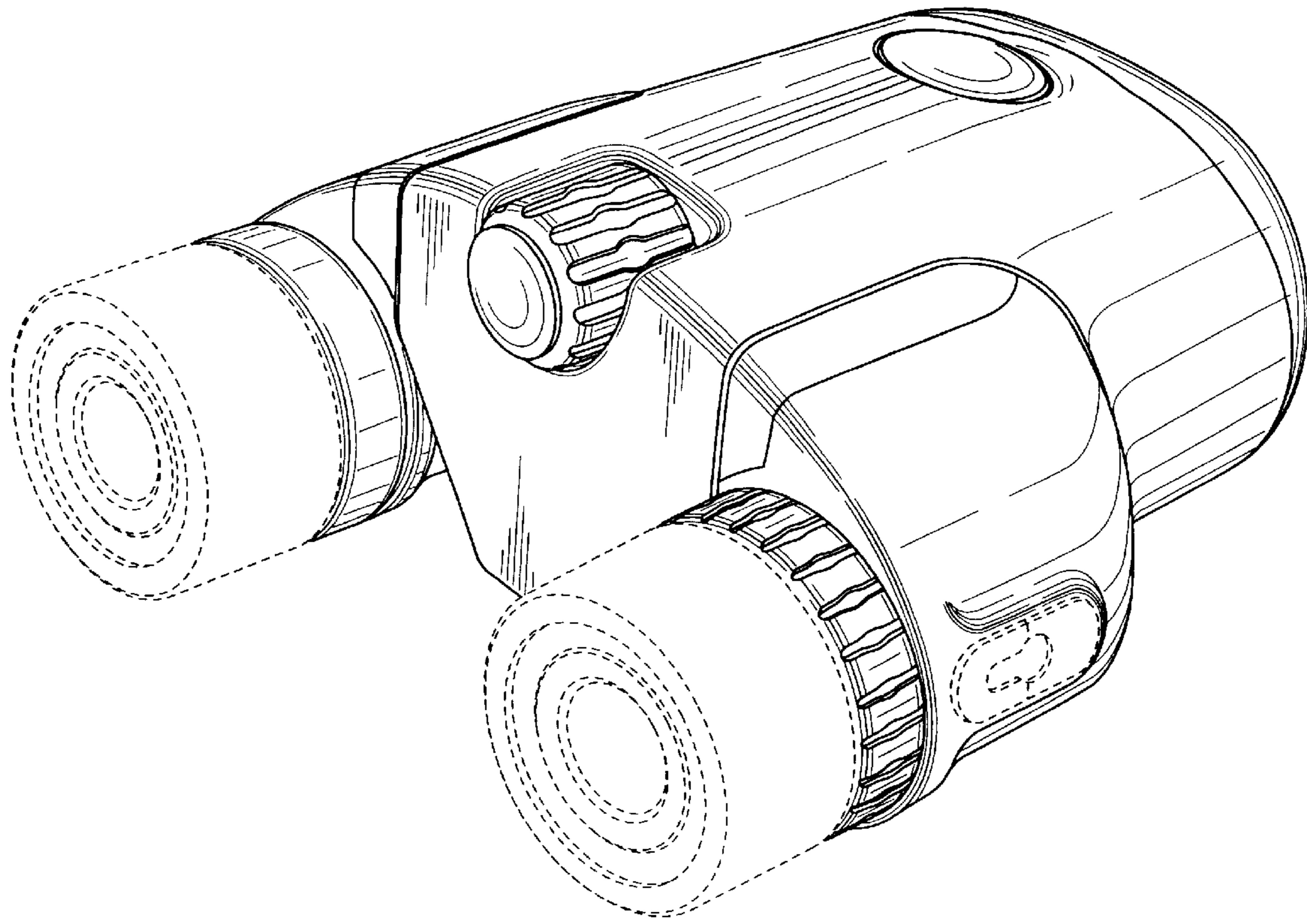


FIG. 3

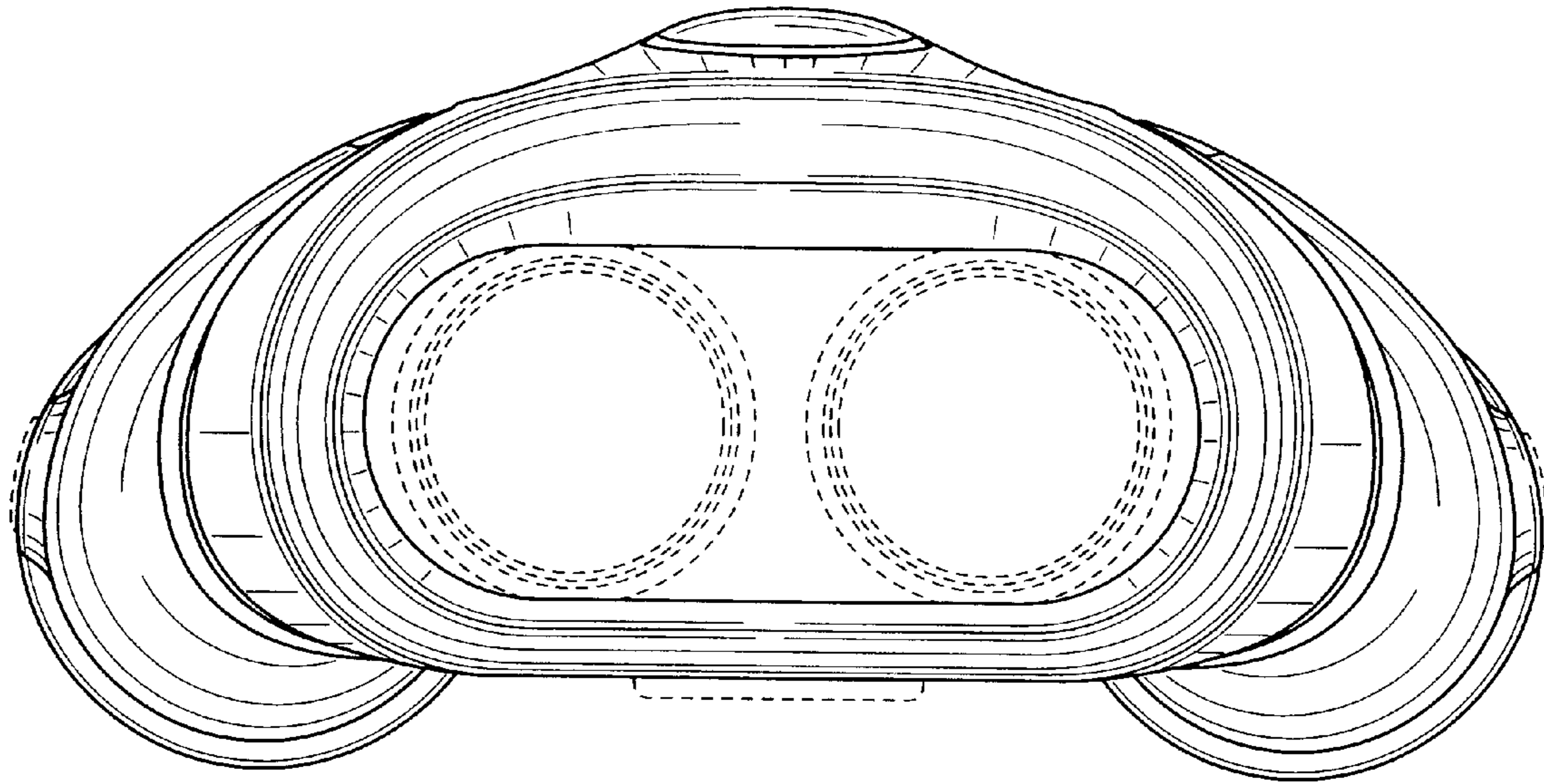


FIG. 4

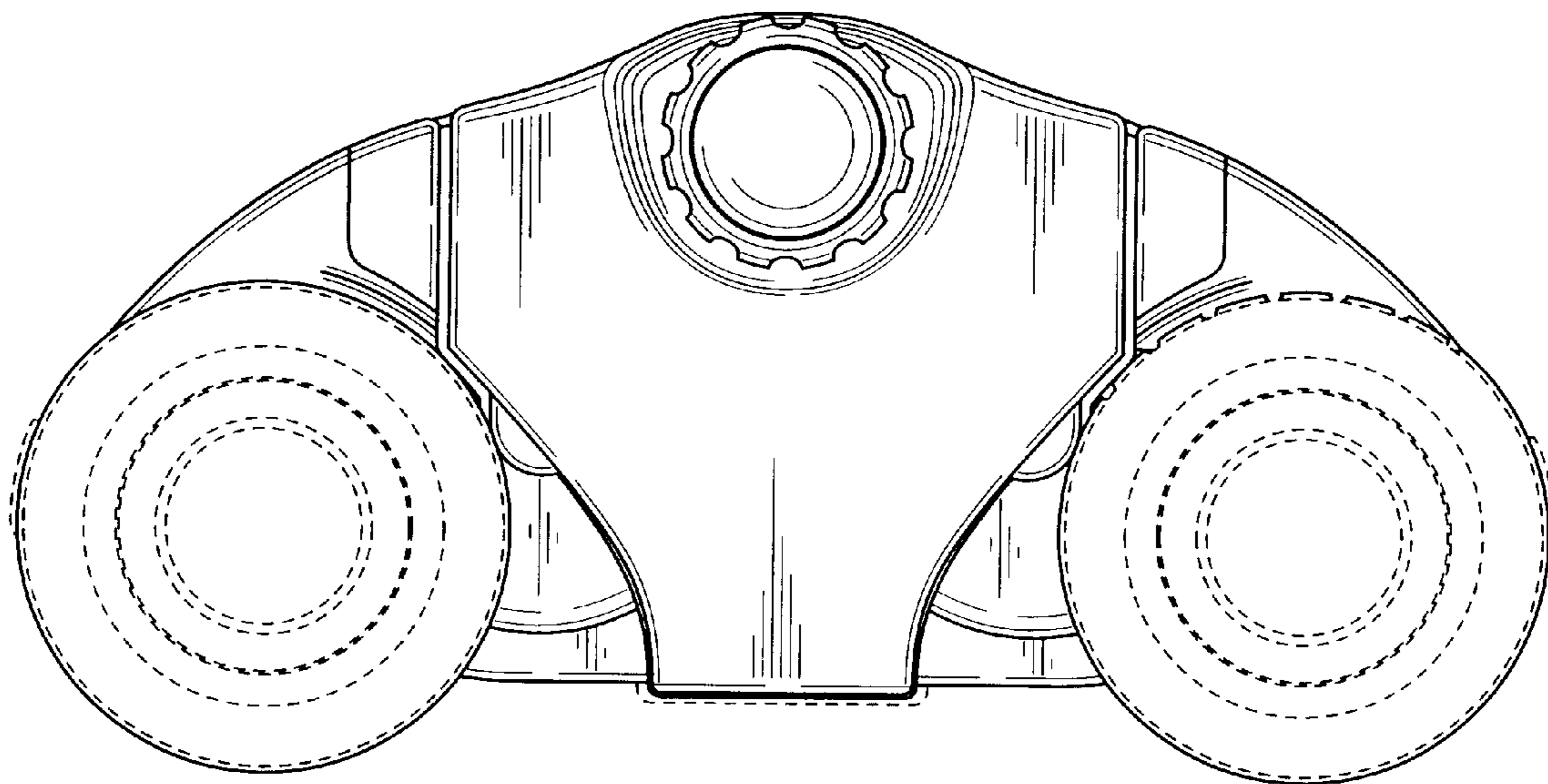


FIG. 5

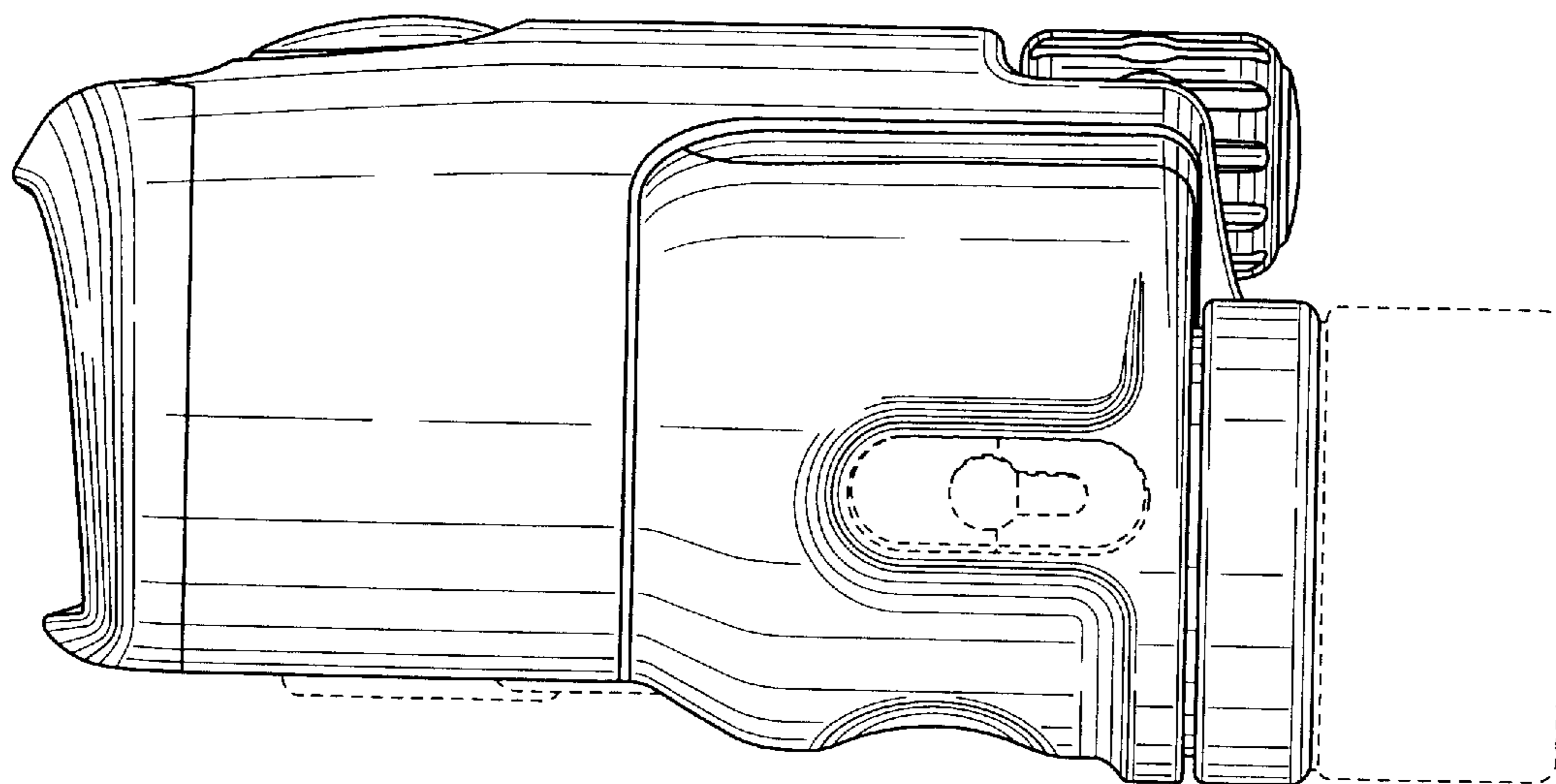


FIG. 6

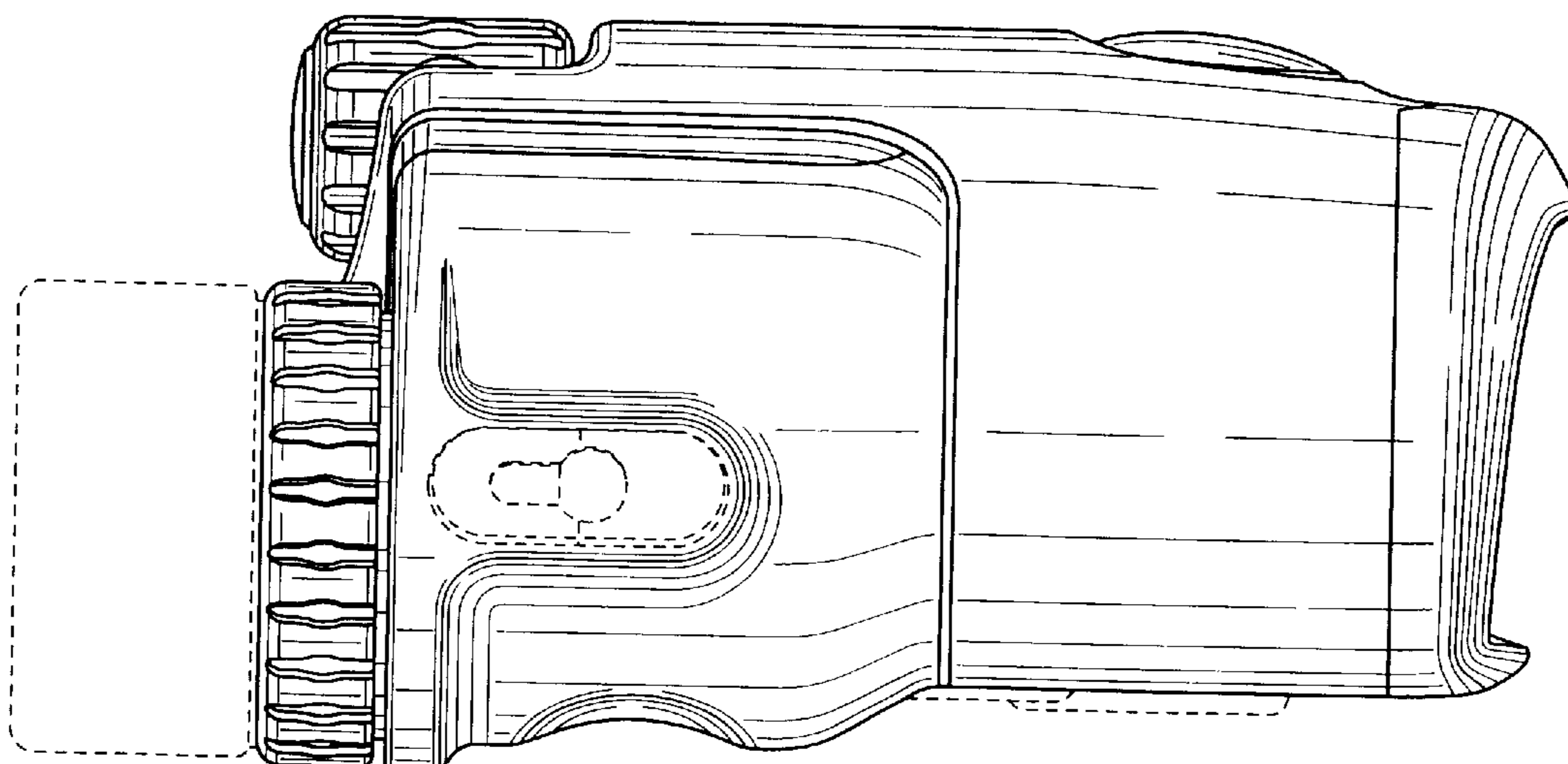


FIG. 7

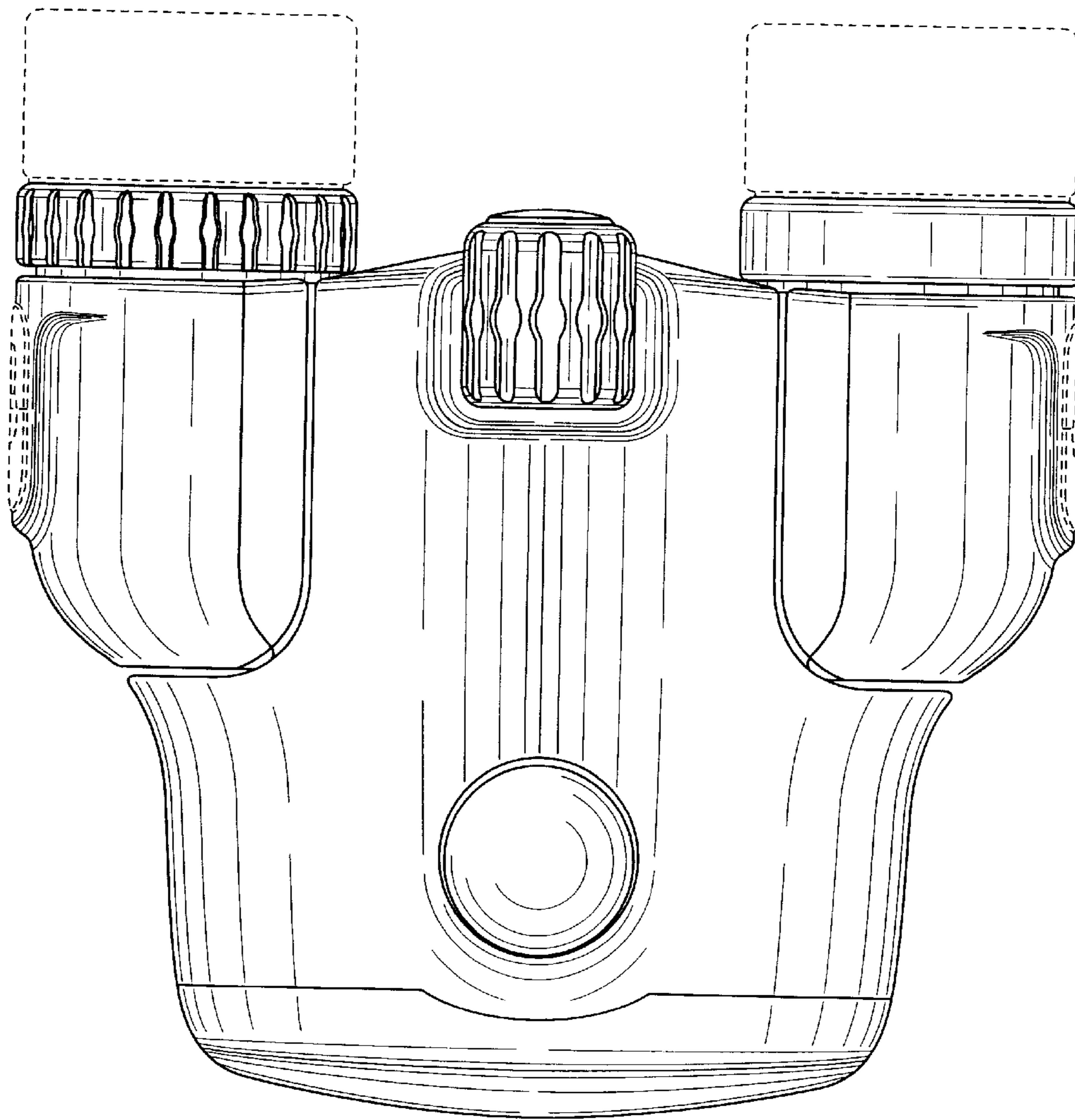


FIG. 8

