



US00D522550S

(12) **United States Design Patent**  
**Kung**

(10) **Patent No.:** **US D522,550 S**

(45) **Date of Patent:** **\*\* Jun. 6, 2006**

(54) **TELESCOPE WITH ADJUSTABLE STAND**

(75) Inventor: **Su-Min Kung, Shi-Jr (TW)**

(73) Assignee: **Hunter Optical Co., Ltd., Taipei Hsien (TW)**

(\*\*) Term: **14 Years**

(21) Appl. No.: **29/229,840**

(22) Filed: **May 13, 2005**

(30) **Foreign Application Priority Data**

Jan. 11, 2005 (TW) ..... 94300158

(51) **LOC (8) Cl.** ..... **16-06**

(52) **U.S. Cl.** ..... **D16/132**

(58) **Field of Classification Search** ..... D16/130,  
D16/132, 135-136; 359/708, 737, 802, 804,  
359/811, 812, 813, 817, 819, 816, 823, 806-807,  
359/399; 248/166; 211/22; D24/158; D26/38  
See application file for complete search history.

(56) **References Cited**

**U.S. PATENT DOCUMENTS**

D198,296 S \* 5/1964 Resk ..... D24/158

D242,277 S \* 11/1976 Waldorf ..... D26/38

4,279,463 A \* 7/1981 Little ..... 359/399

5,320,227 A \* 6/1994 Minoura ..... 211/22

D482,710 S \* 11/2003 Ho ..... D16/132

6,789,772 B1 \* 9/2004 Eason ..... 248/166

D497,625 S \* 10/2004 Kung ..... D16/132

\* cited by examiner

*Primary Examiner*—Paula A. Greene

(74) *Attorney, Agent, or Firm*—Troxell Law Office, PLLC

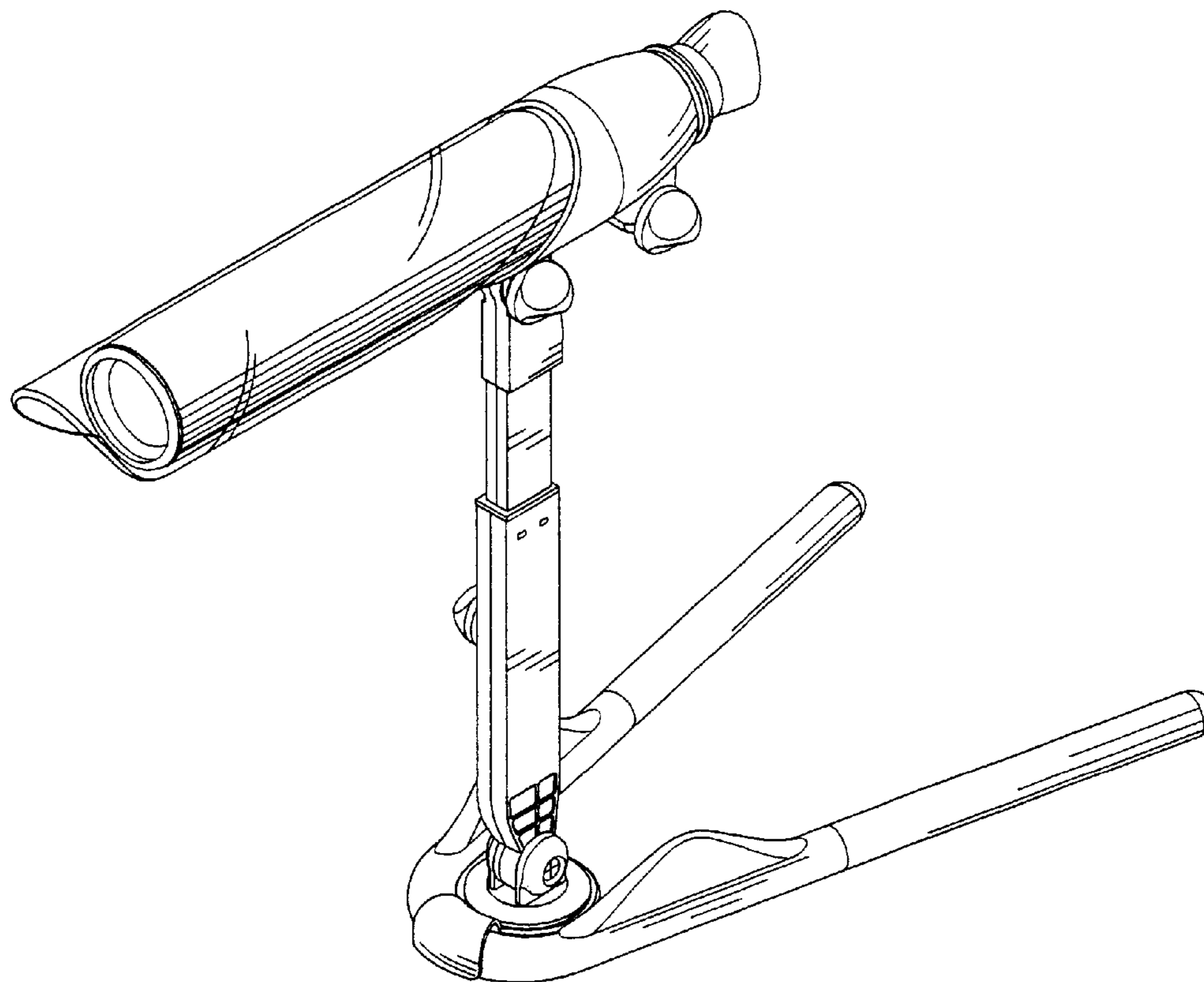
(57) **CLAIM**

The ornamental design for telescope with adjustable stand, as shown and described.

**DESCRIPTION**

FIG. 1 is a perspective view thereof;  
FIG. 2 is a front view thereof;  
FIG. 3 is a back view thereof;  
FIG. 4 is a left side view thereof;  
FIG. 5 is a right side view thereof;  
FIG. 6 is a top view thereof;  
FIG. 7 is a bottom view thereof;  
FIG. 8 is a perspective view thereof, wherein the stand is in a retracted position; and,  
FIG. 9 is a perspective view thereof, wherein the telescope is in an extended position.

**1 Claim, 8 Drawing Sheets**



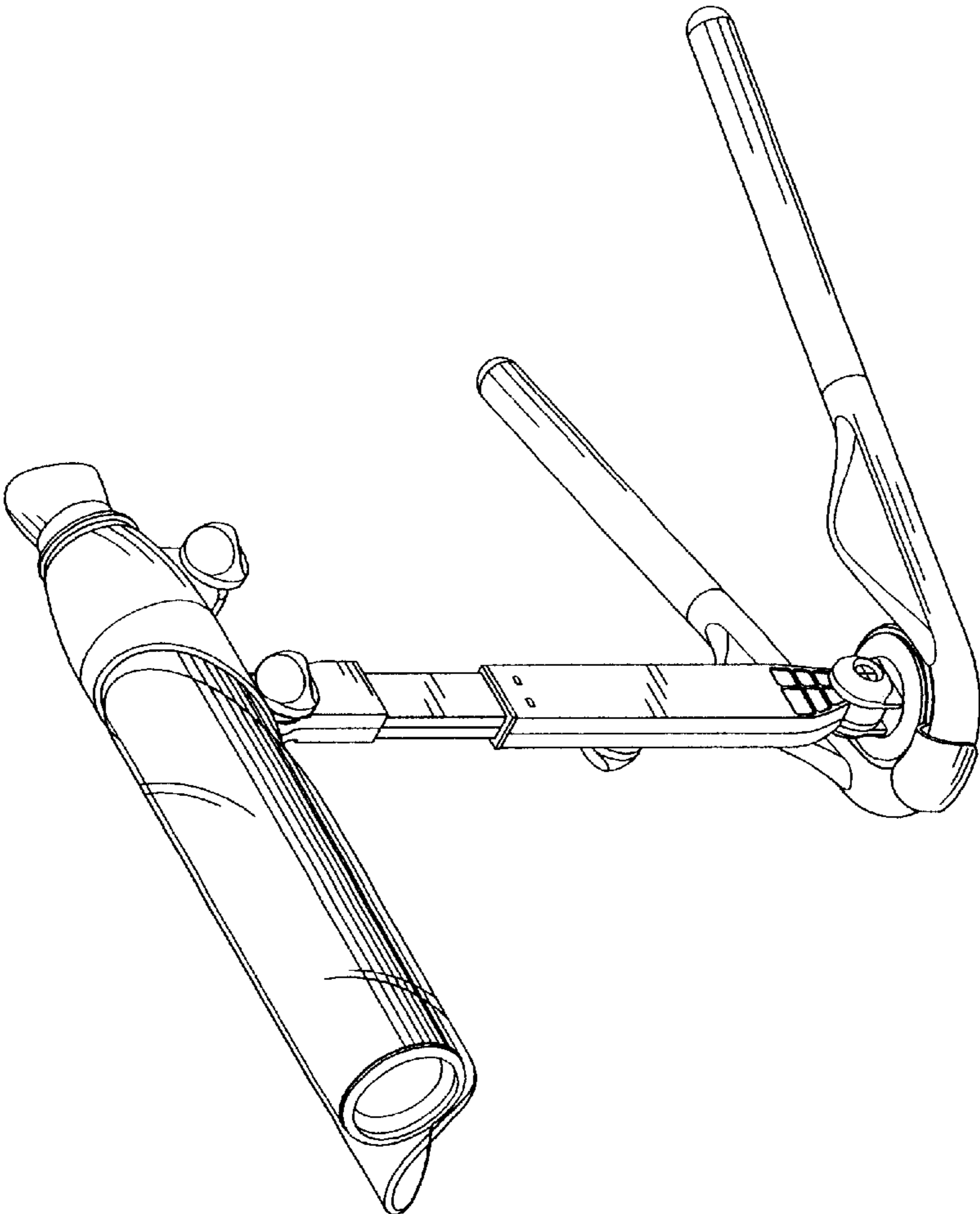


FIG.1

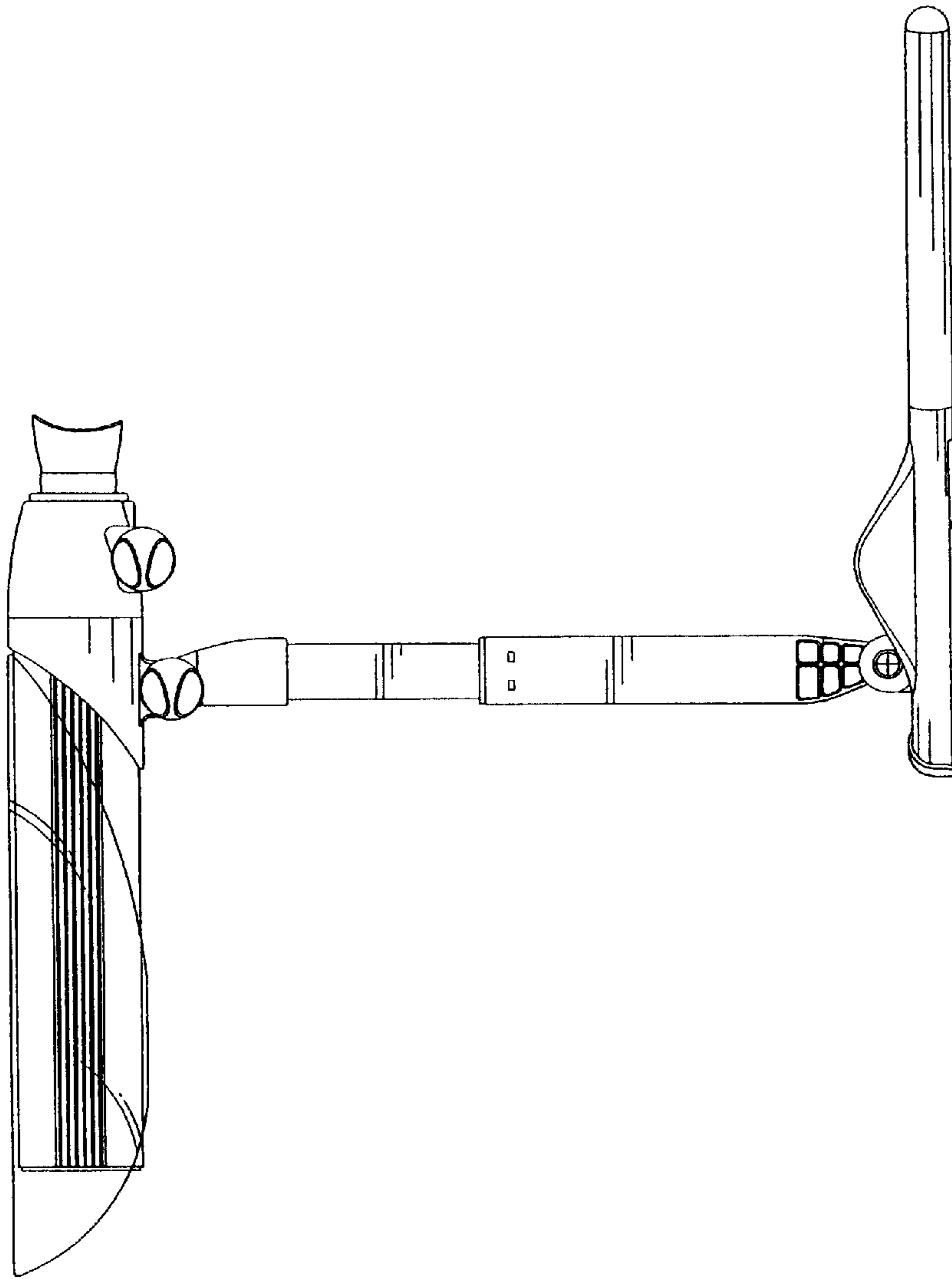


FIG. 2

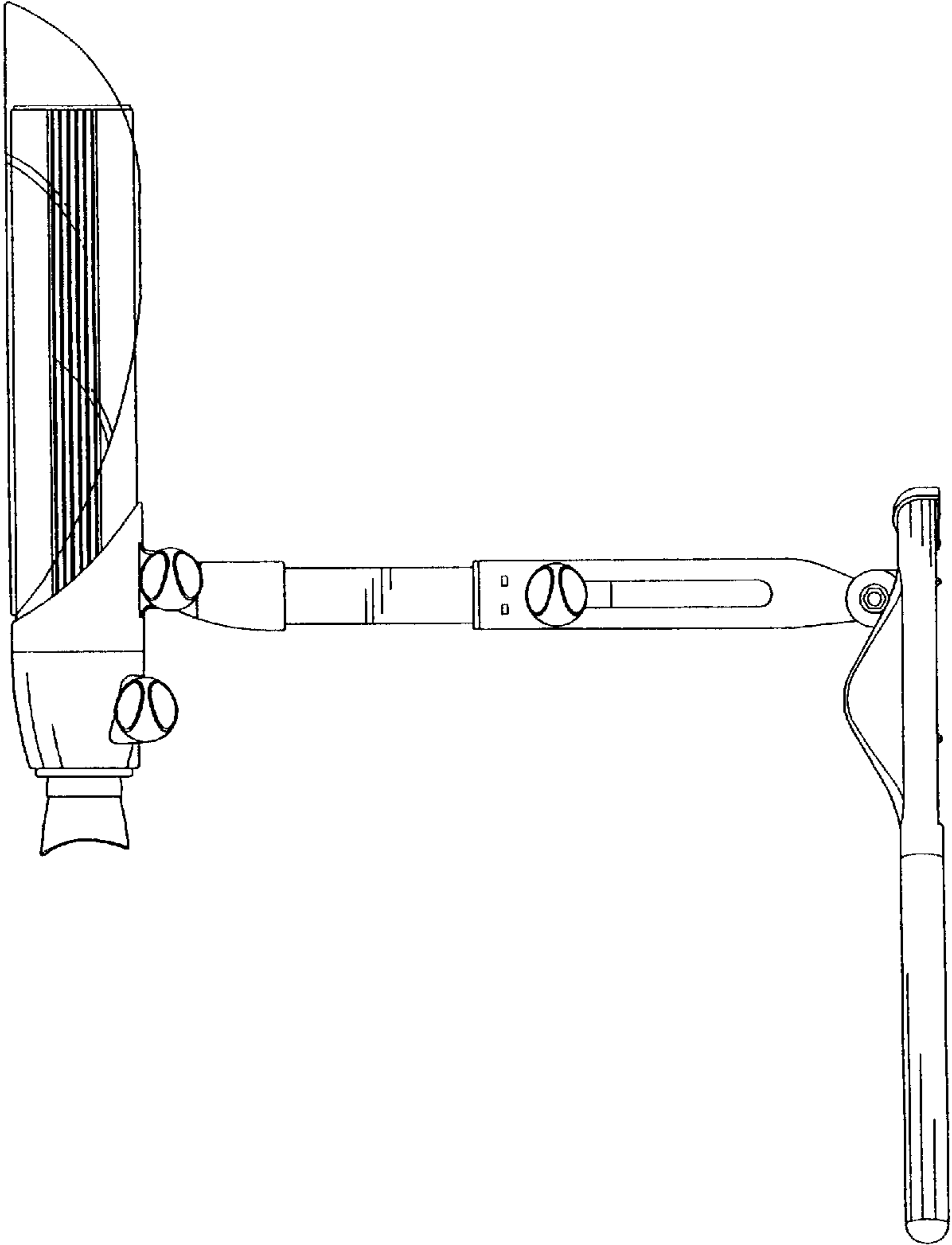


FIG.3

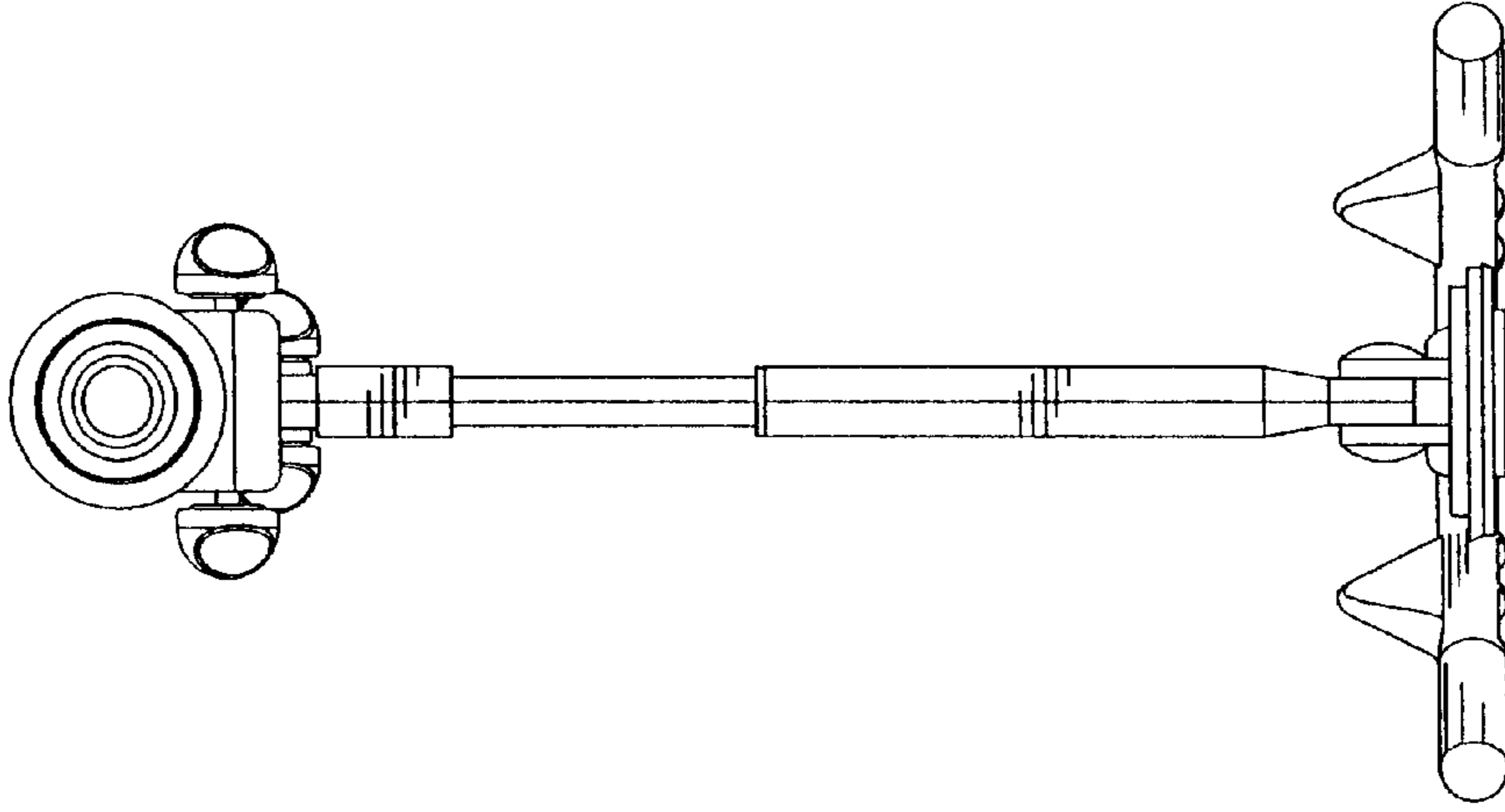


FIG. 5

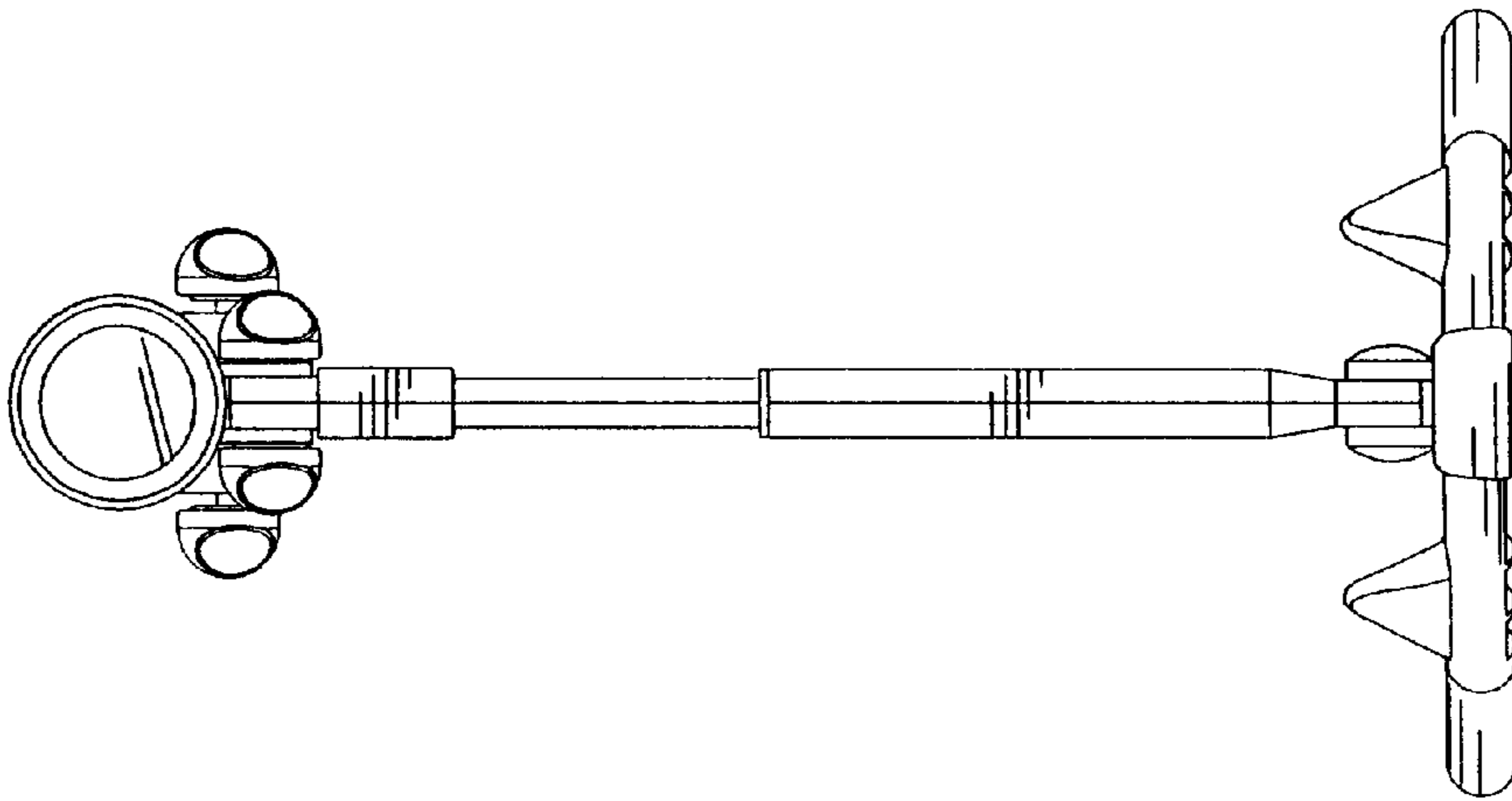


FIG. 4

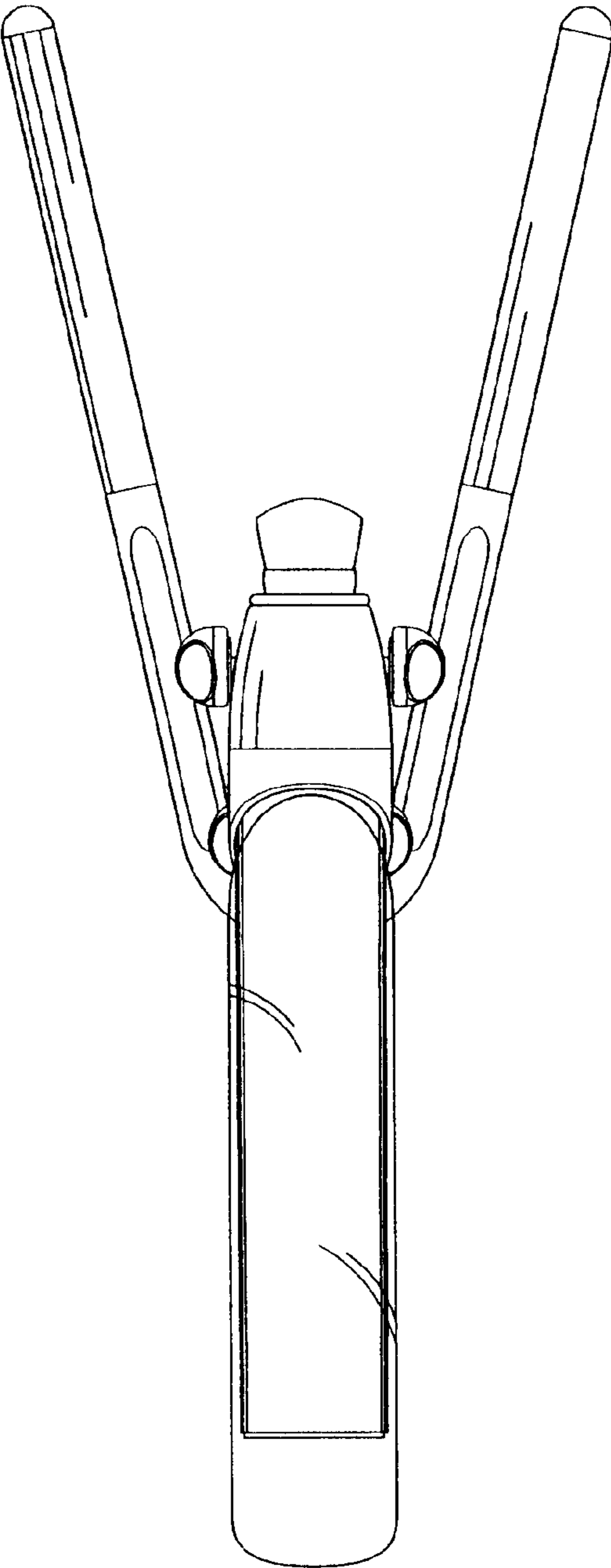


FIG.6

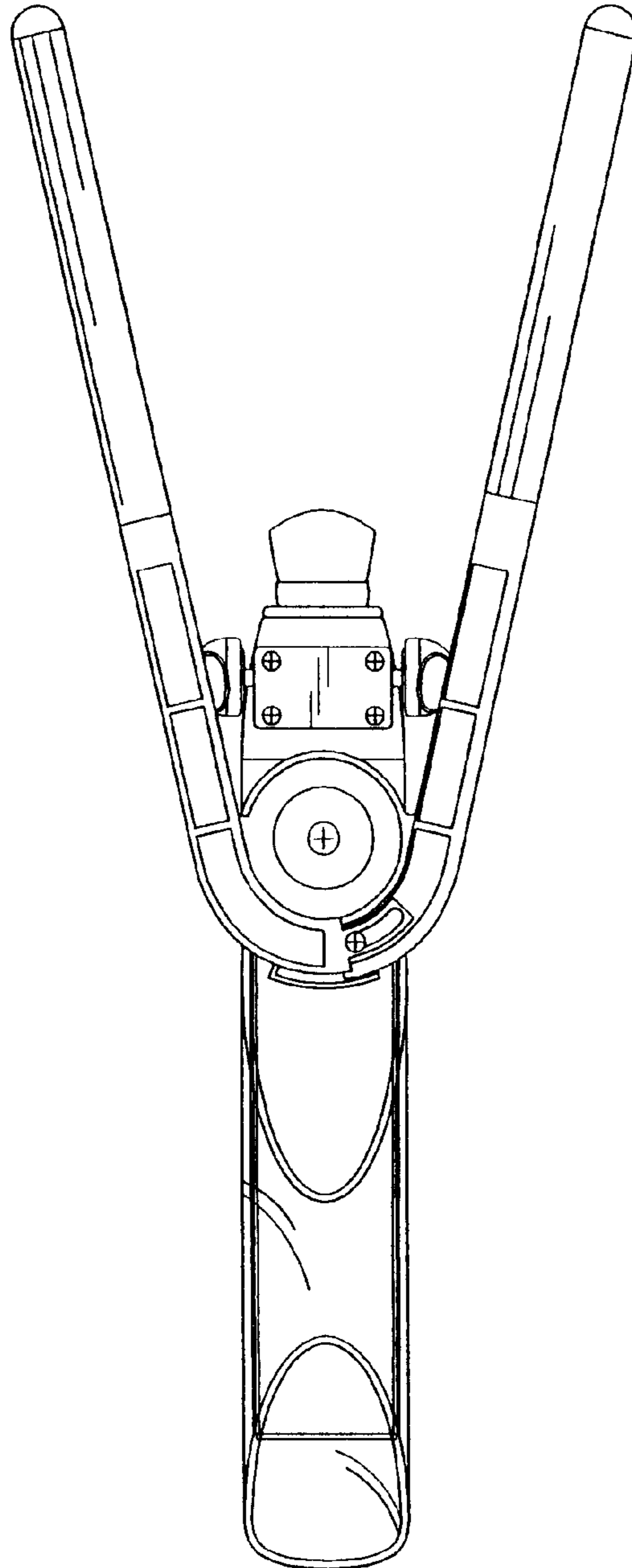


FIG. 7

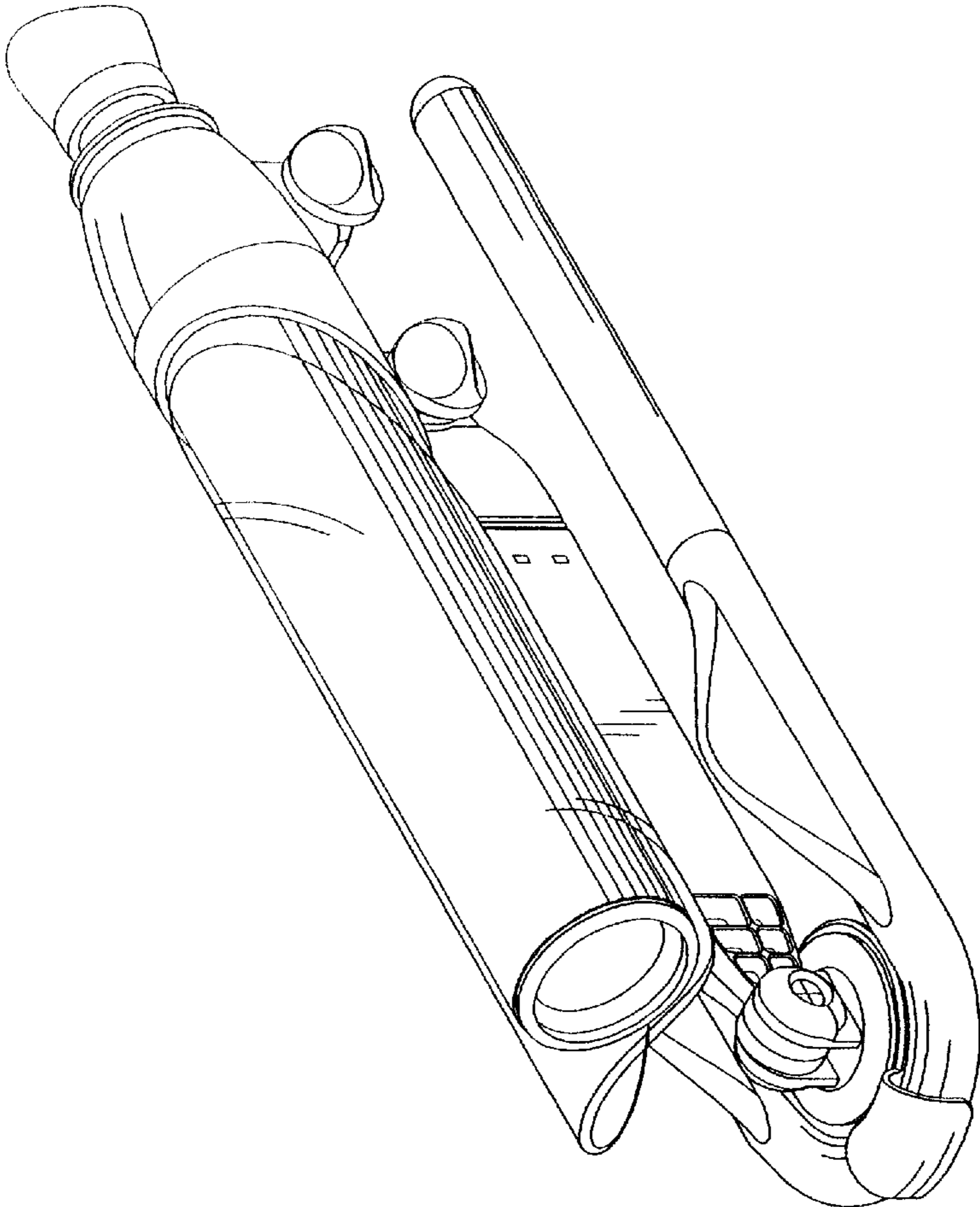


FIG. 8



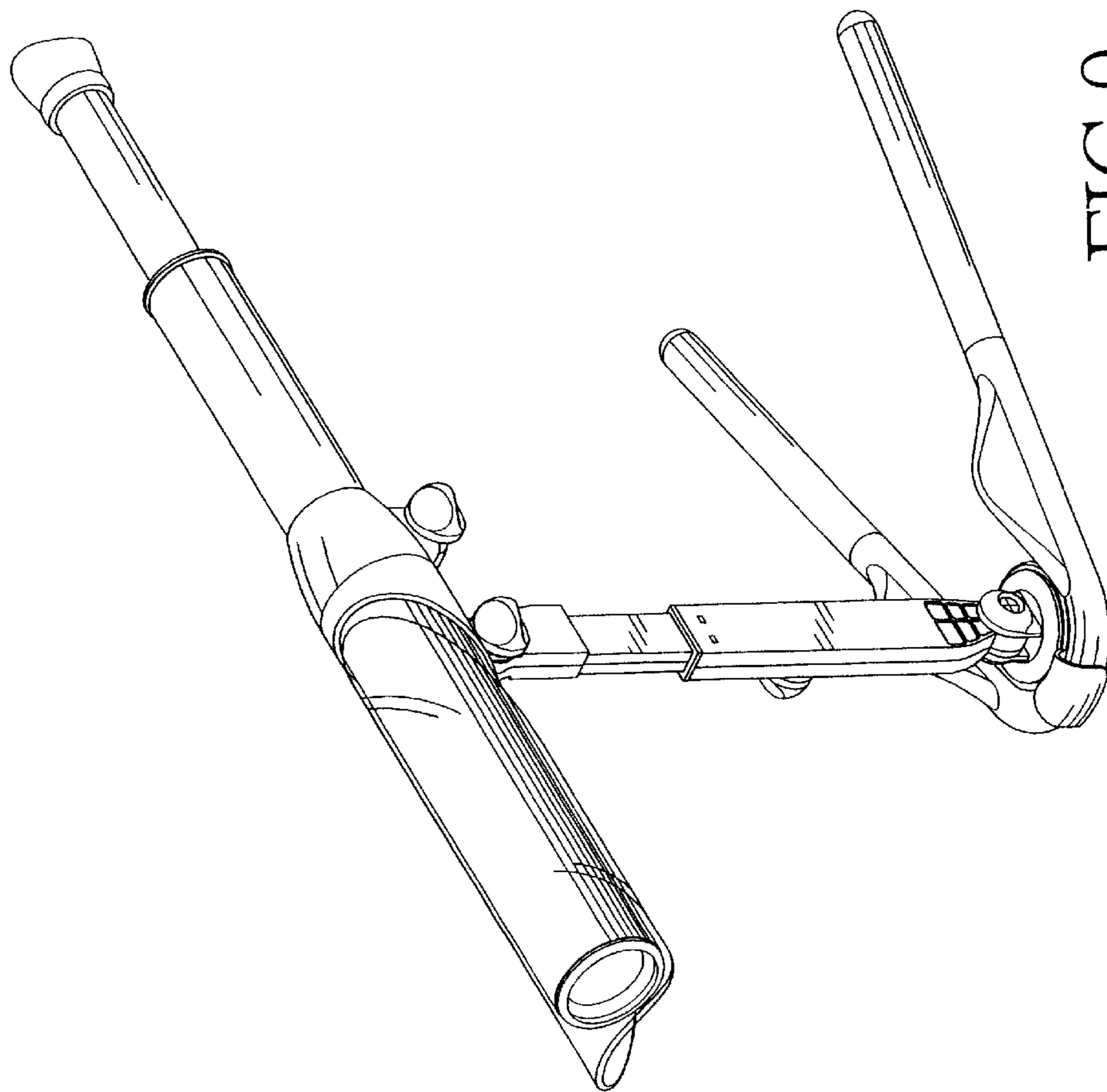


FIG.9

UNITED STATES PATENT AND TRADEMARK OFFICE  
**CERTIFICATE OF CORRECTION**

PATENT NO. : Des. 522,550 S  
APPLICATION NO. : 29/229840  
DATED : June 6, 2006  
INVENTOR(S) : Su-Min Kung

Page 1 of 1

It is certified that error appears in the above-identified patent and that said Letters Patent is hereby corrected as shown below:

On the Title Page (75): "Inventor: Su-Min kung, Shi-Jr (TW)" should read -- Inventor: Su-Min Kung, Hsi Chih (TW) --

On the Title Page (73): "Assignee: Hunter Optical Co., Ltd., Taipei Hsien (TW)" should read -- Assignee: Hunter Optical Co., Ltd., Hsi Chih (TW) --

Signed and Sealed this

Twenty Second Day of April, 2008

A handwritten signature in black ink that reads "Jon W. Dudas". The signature is written in a cursive style with a large, looped initial "J".

JON W. DUDAS

*Director of the United States Patent and Trademark Office*