

US00D522548S

(12) **United States Design Patent**
Moune et al.

(10) **Patent No.:** **US D522,548 S**
(45) **Date of Patent:** **** Jun. 6, 2006**

(54) **COMPONENT OF AN HARMONIC DRIVE ACTUATOR**

4,715,247 A * 12/1987 Honda et al. 74/640
5,937,710 A * 8/1999 Gould et al. 74/640
6,786,112 B1 * 9/2004 Ruttor 74/640

(75) Inventors: **Stéphanie Moune**, Nagano-ken (JP);
Keiji Ueura, Nagano-ken (JP); **Noboru Takizawa**, Nagano-ken (JP)

* cited by examiner

(73) Assignee: **Harmonic Drive Systems Inc.**, Tokyo (JP)

Primary Examiner—Antoine D. Davis
Assistant Examiner—Patricia Palasik
(74) *Attorney, Agent, or Firm*—Buchanan Ingersoll PC

(**) Term: **14 Years**

(57) **CLAIM**

(21) Appl. No.: **29/215,870**

The ornamental design for a component of an harmonic drive actuator, as shown and described.

(22) Filed: **Oct. 27, 2004**

DESCRIPTION

(30) **Foreign Application Priority Data**

Apr. 27, 2004 (JP) 2004-012697

(51) **LOC (8) Cl.** **15-09**

(52) **U.S. Cl.** **D15/199**

(58) **Field of Classification Search** D15/148,
D15/149, 199; 74/640; 310/83

See application file for complete search history.

FIG. 1 is a front, side perspective view of a component of an harmonic drive actuator showing our new design.

FIG. 2 is a rear, side perspective view thereof.

FIG. 3 is a front elevational view thereof

FIG. 4 is a rear elevational view thereof.

FIG. 5 is a left side elevational view thereof; the right side being a mirror image thereof.

FIG. 6 is a top plan view thereof; the bottom plan being a mirror image thereof; and,

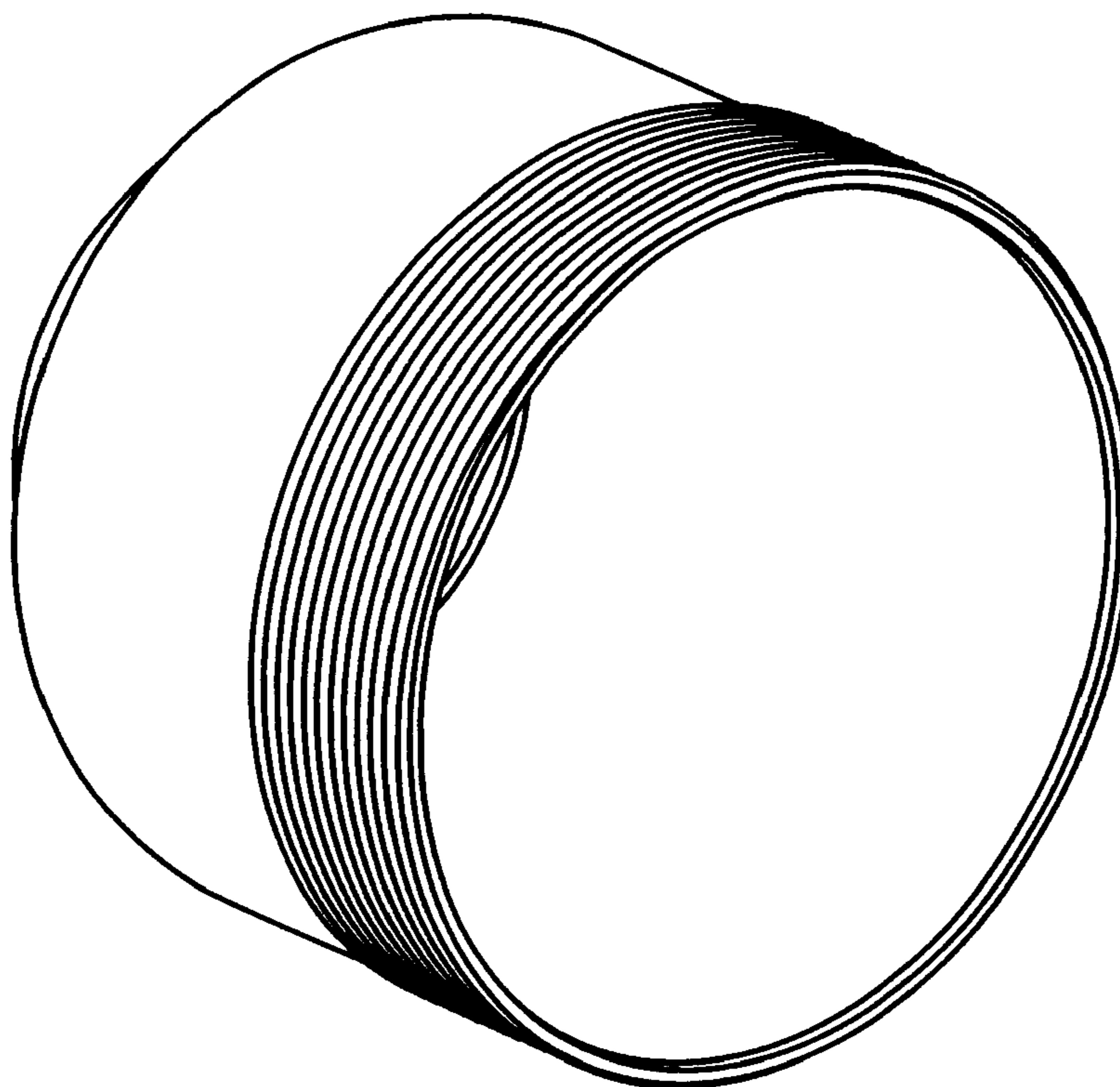
FIG. 7 is a cross-sectional view taken generally along the line 7—7 of FIG. 3.

(56) **References Cited**

U.S. PATENT DOCUMENTS

3,039,324 A * 6/1962 Waterfield 74/640

1 Claim, 7 Drawing Sheets



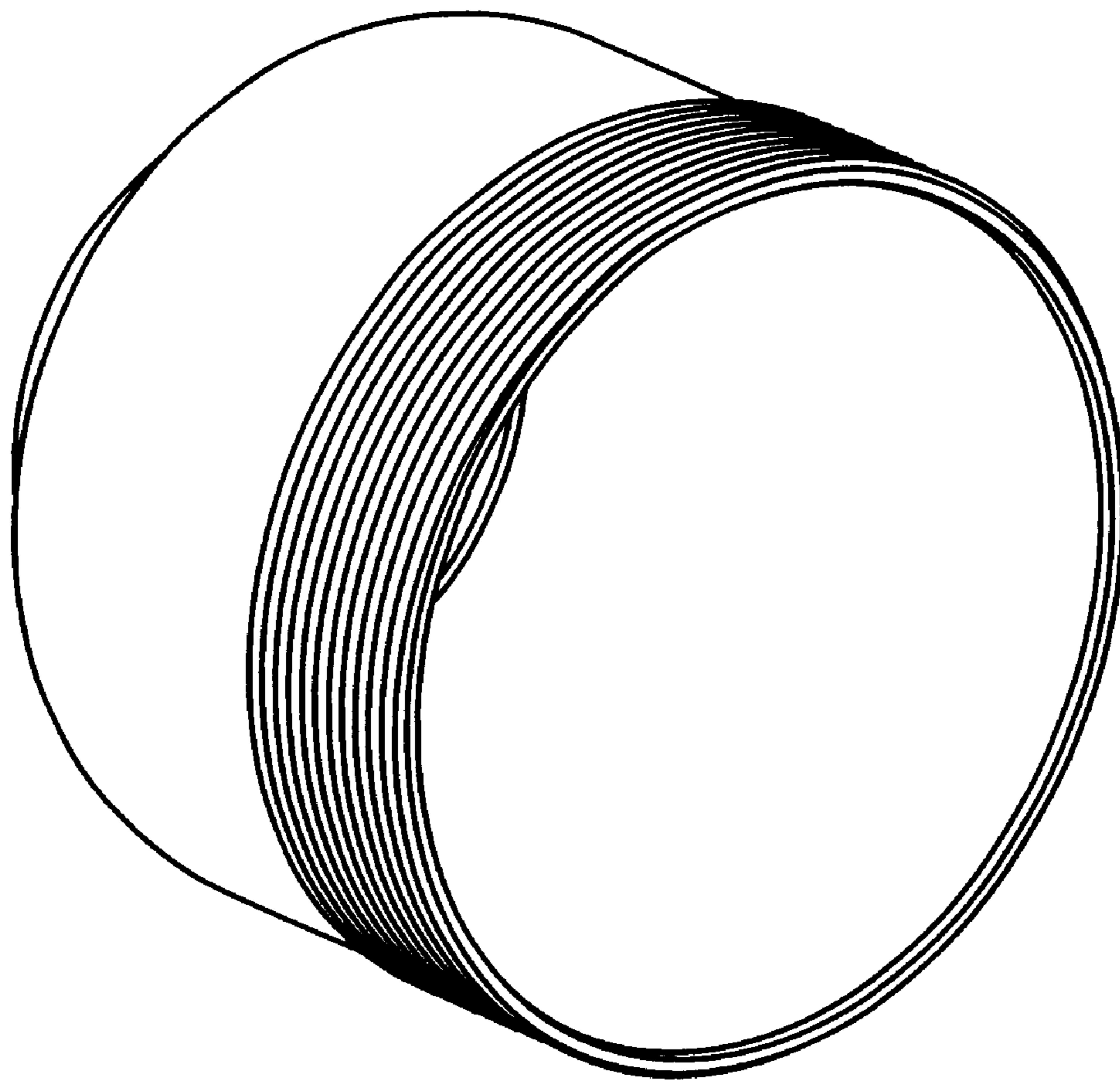


FIG. 1

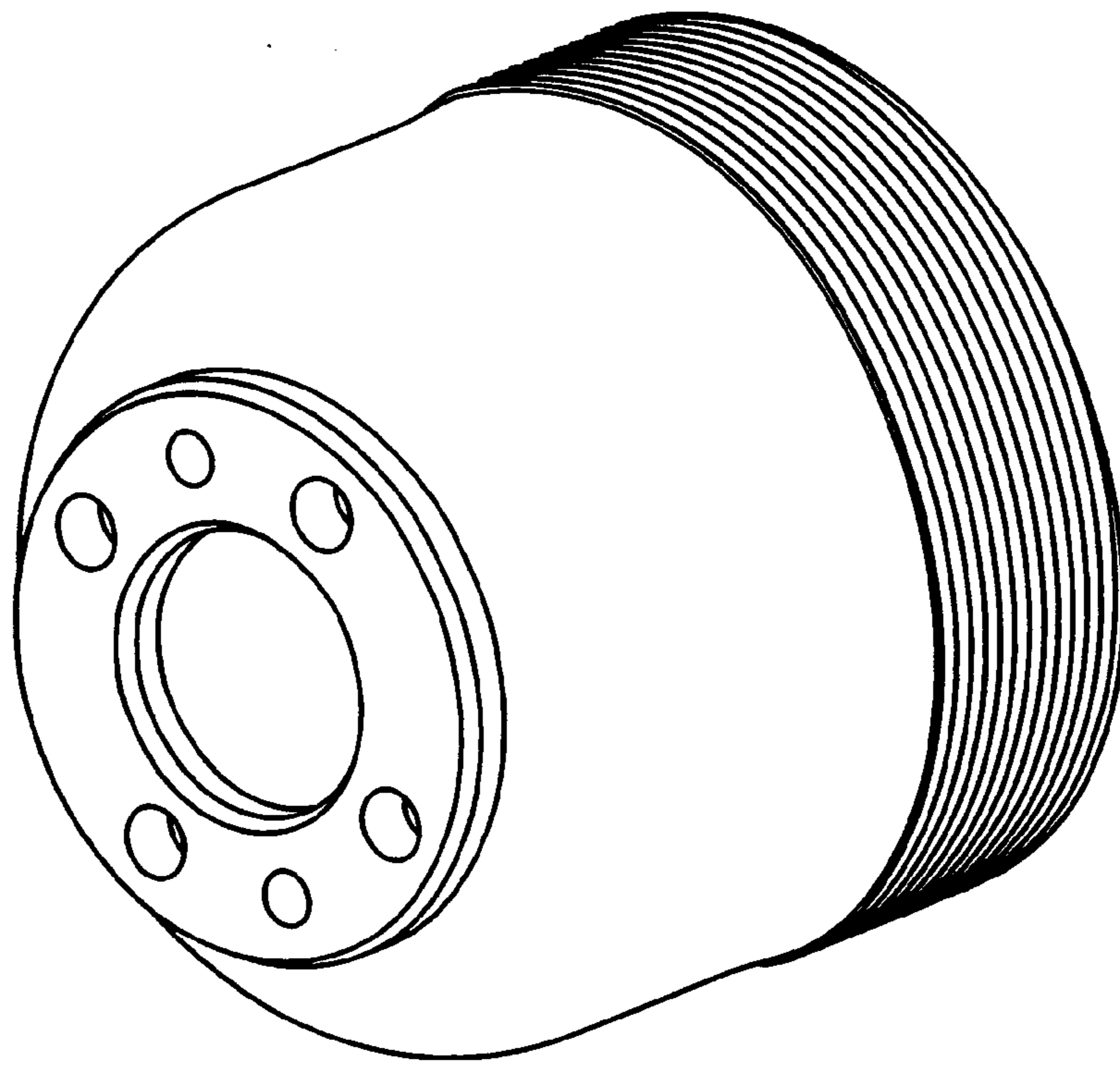


FIG. 2

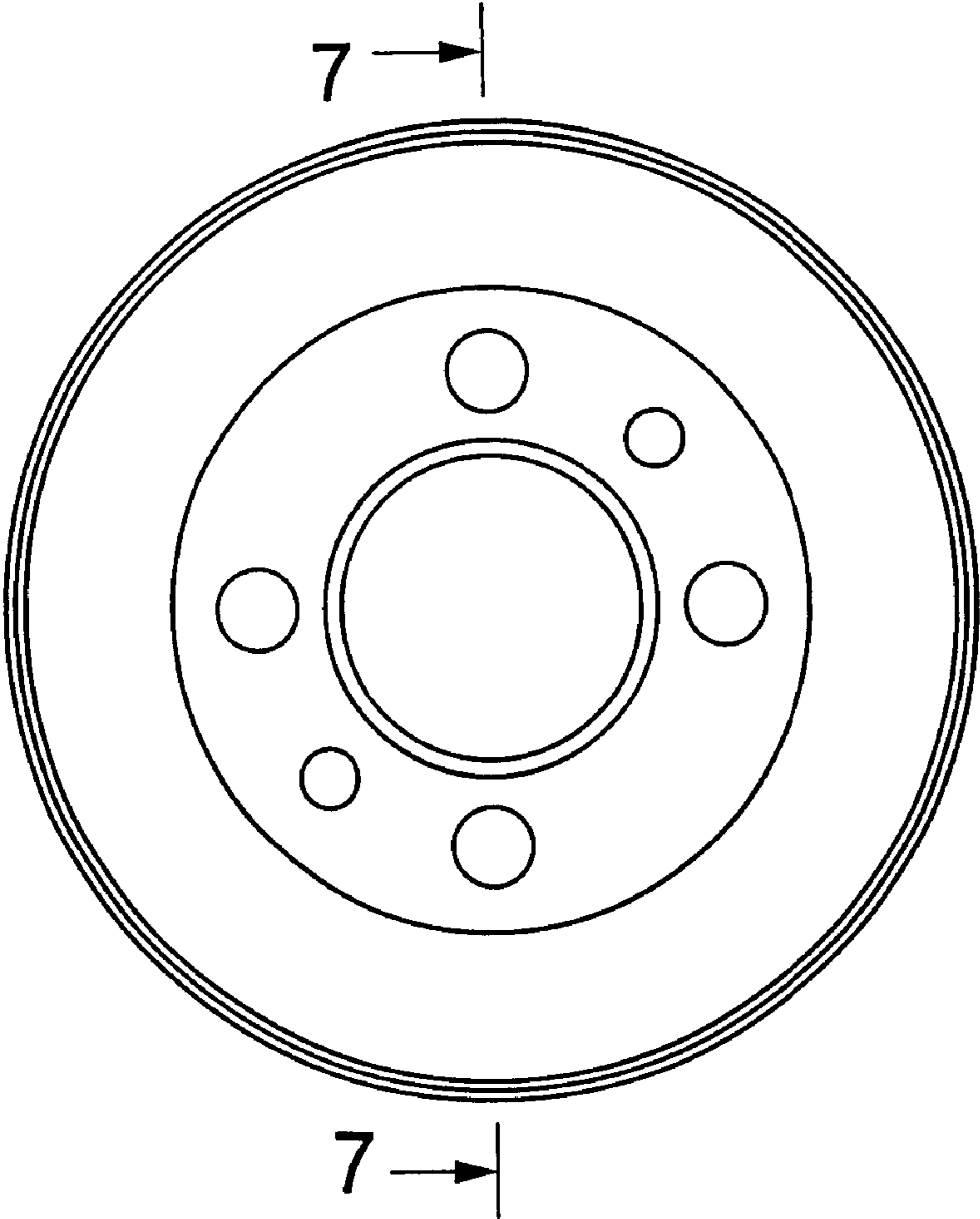


FIG. 3

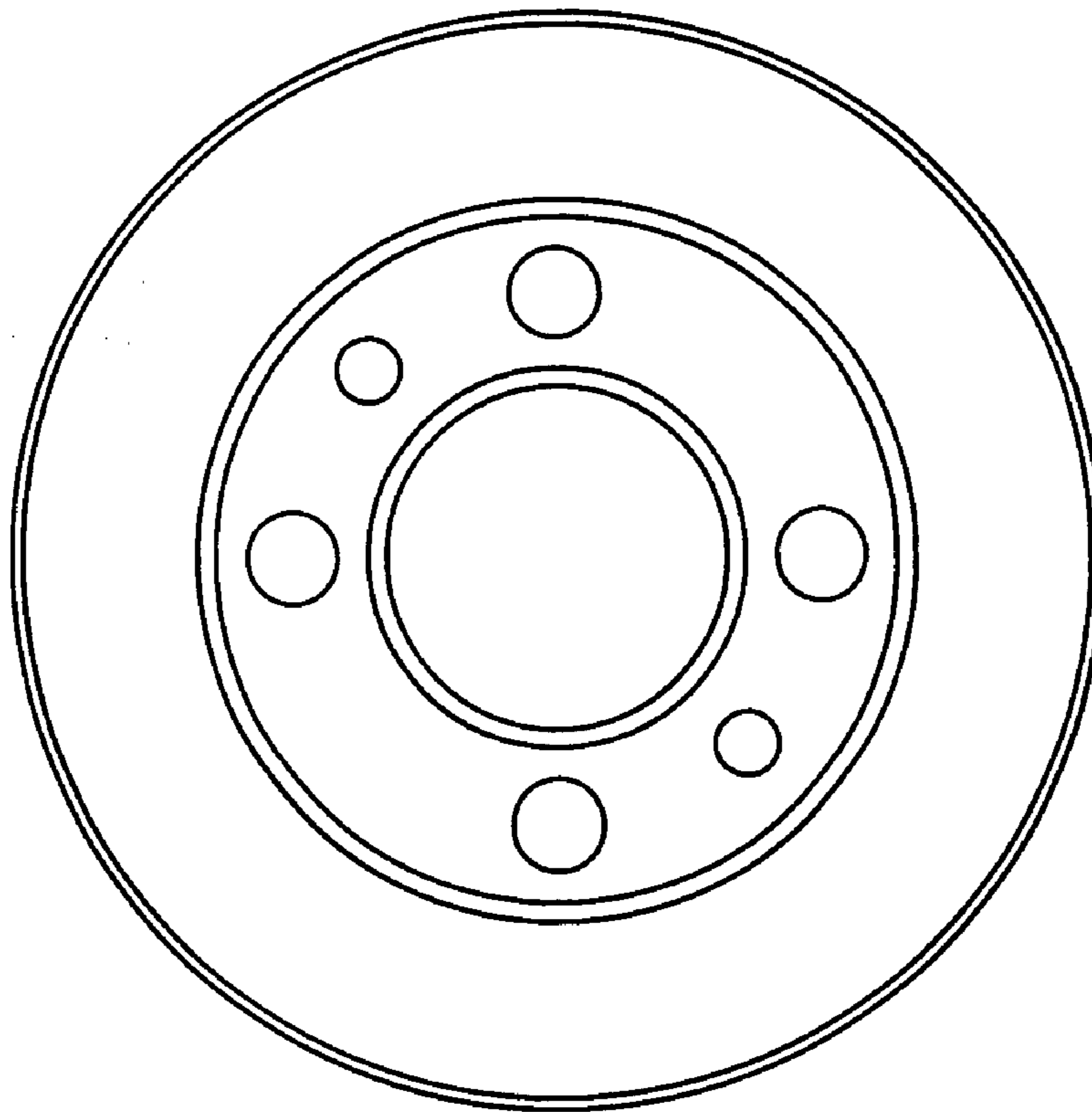


FIG. 4

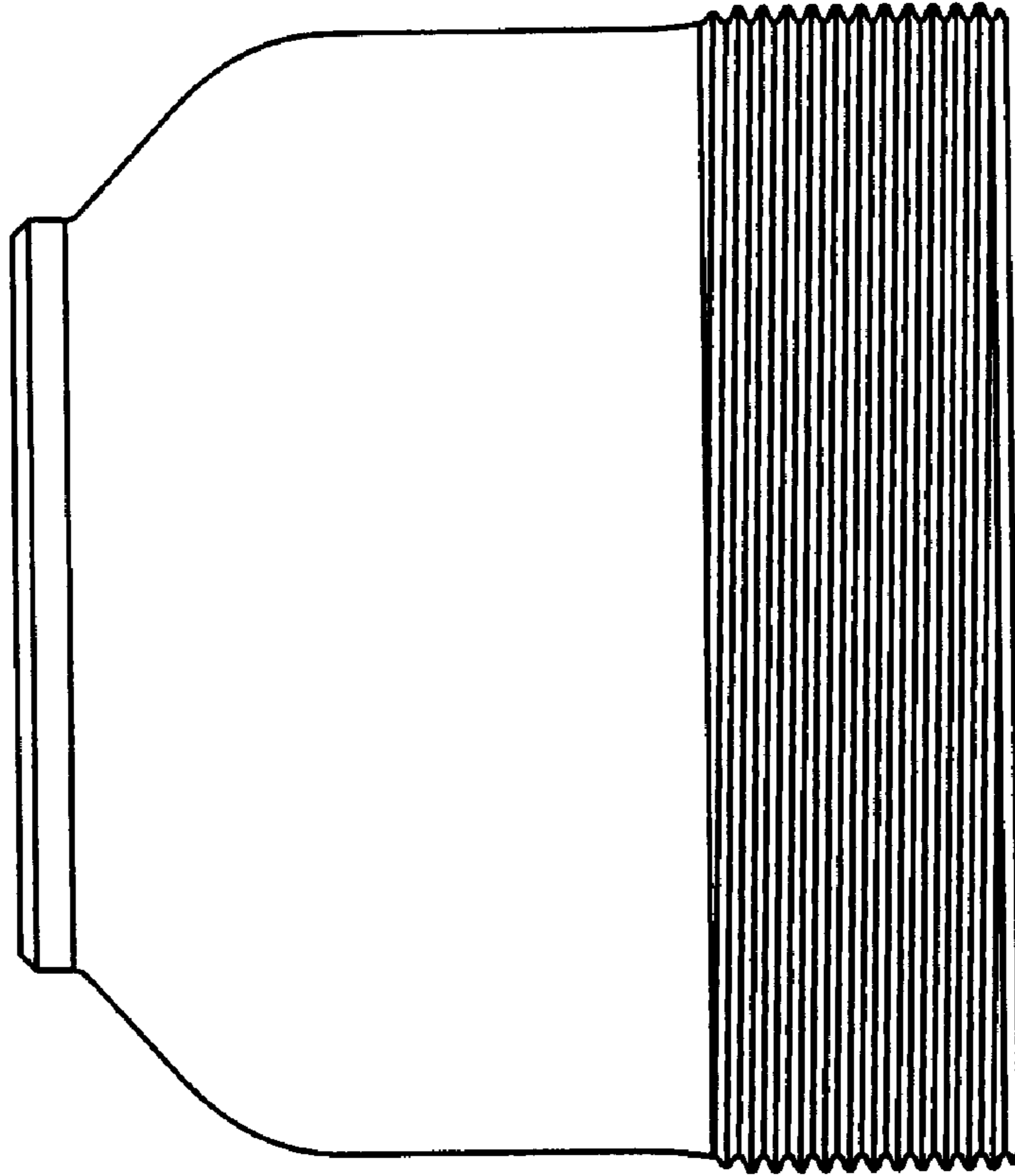


FIG. 5

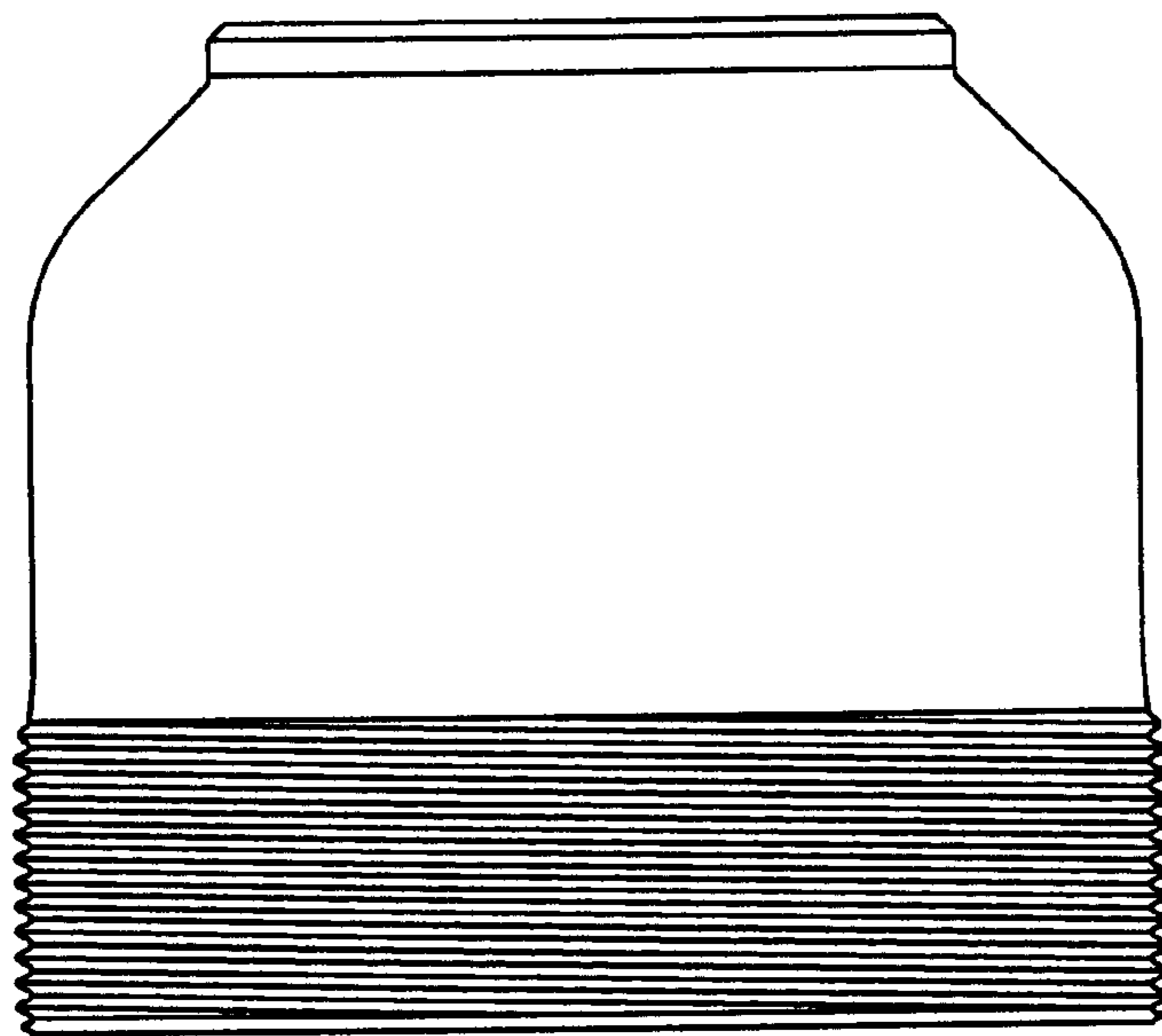


FIG. 6

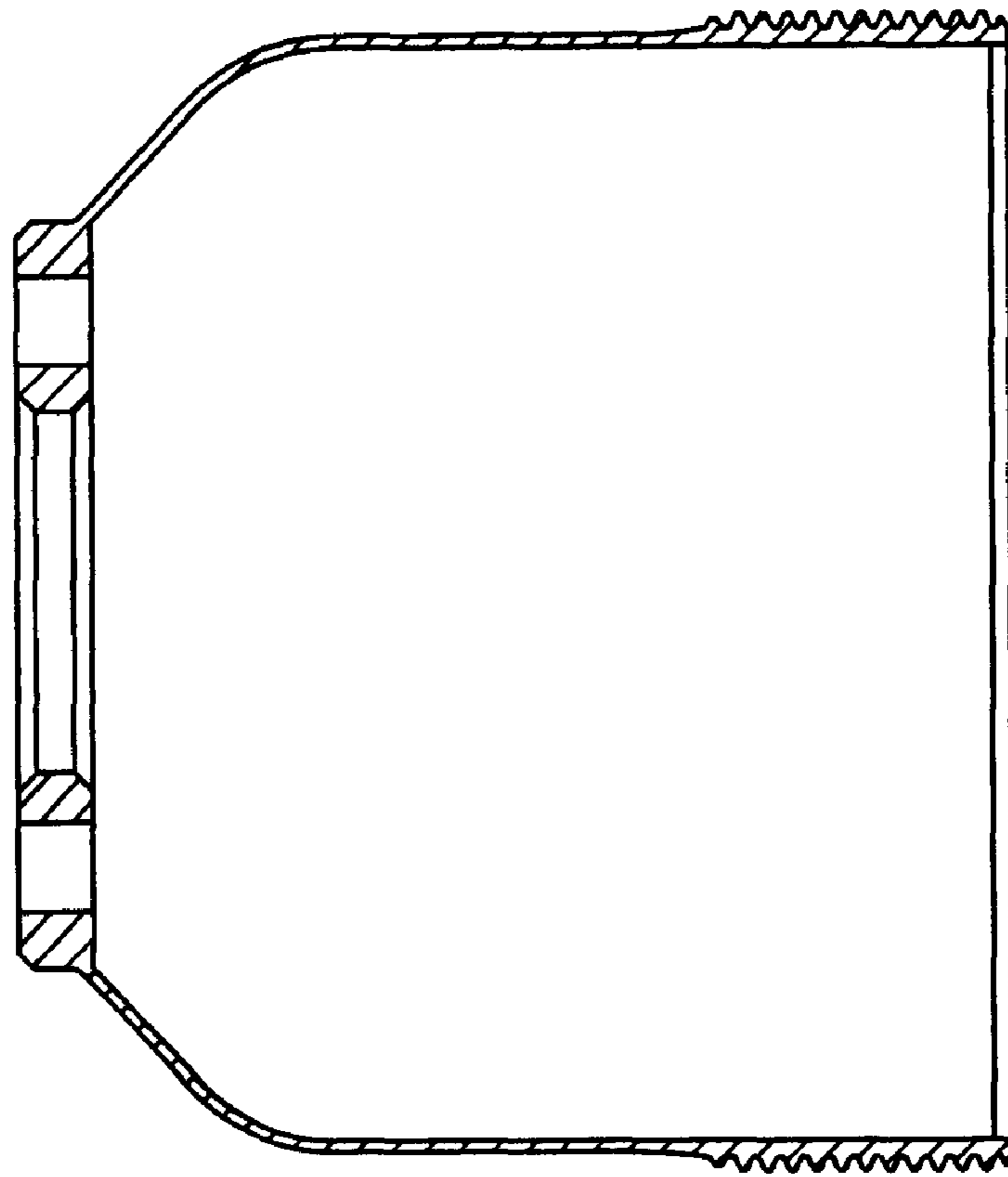


FIG. 7