

US00D522547S

(12) **United States Design Patent**  
**Beadle et al.**

(10) **Patent No.:** **US D522,547 S**  
(45) **Date of Patent:** **\*\* Jun. 6, 2006**

(54) **LINEAR ACTUATOR**

(75) Inventors: **Darryl Beadle**, Tallahassee, FL (US);  
**Robert Mayer**, Tallahassee, FL (US);  
**Hung Nguyen**, Tallahassee, FL (US)

(73) Assignee: **GTO, Inc.**, Tallahassee, FL (US)

(\*\*) Term: **14 Years**

(21) Appl. No.: **29/223,773**

(22) Filed: **Feb. 18, 2005**

(51) **LOC (8) Cl.** ..... **15-09**

(52) **U.S. Cl.** ..... **D15/148; D15/143**

(58) **Field of Classification Search** ..... D15/143,  
D15/148, 199; 74/89.15, 490.09, 411.5; 310/20,  
310/80; 297/14, 325, 327

See application file for complete search history.

(56) **References Cited**

**U.S. PATENT DOCUMENTS**

6,344,718 B1 \* 2/2002 Nagai et al. .... 318/14  
D487,902 S \* 3/2004 Nielsen et al. .... D15/143

\* cited by examiner

*Primary Examiner*—Antoine D. Davis

*Assistant Examiner*—Patricia Palasik

(74) *Attorney, Agent, or Firm*—William H. Hollimon

(57) **CLAIM**

The ornamental design for a linear actuator, as shown and described.

**DESCRIPTION**

FIG. 1 is a perspective view of the linear actuator of the present invention;

FIG. 2 is a top plan view of the linear actuator of the present invention;

FIG. 3 is a bottom plan view of the linear actuator of the present invention;

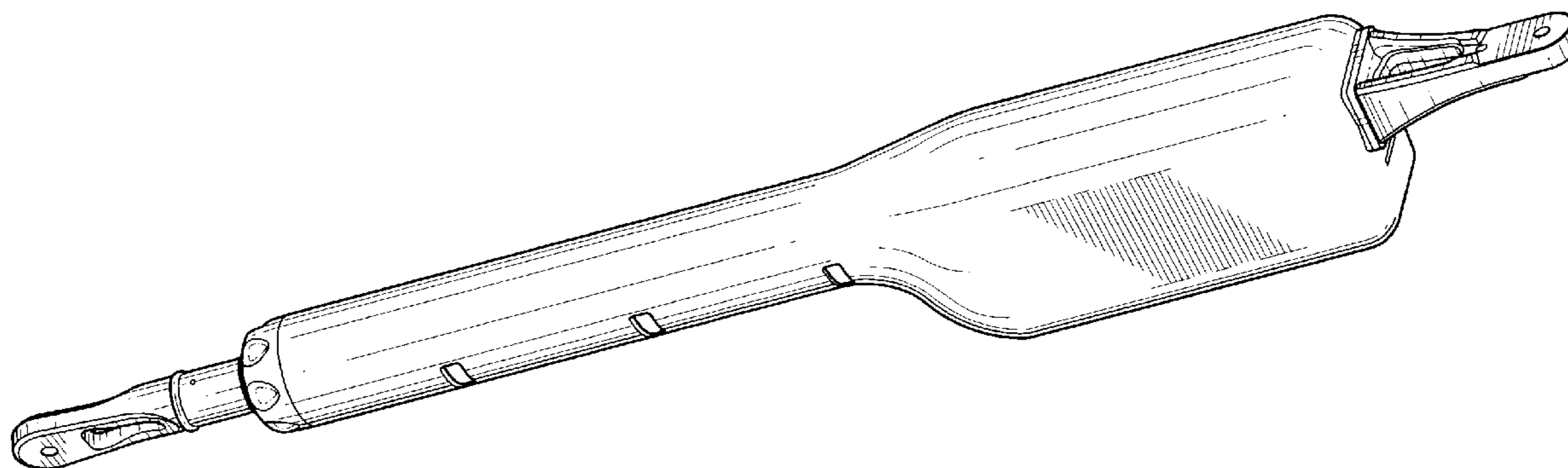
FIG. 4 is a left side view of the linear actuator of the present invention;

FIG. 5 is a right side view of the linear actuator of the present invention;

FIG. 6; is a front end view of the linear actuator of the present invention; and,

FIG. 7 is a rear end view of the linear actuator of the present invention.

**1 Claim, 4 Drawing Sheets**



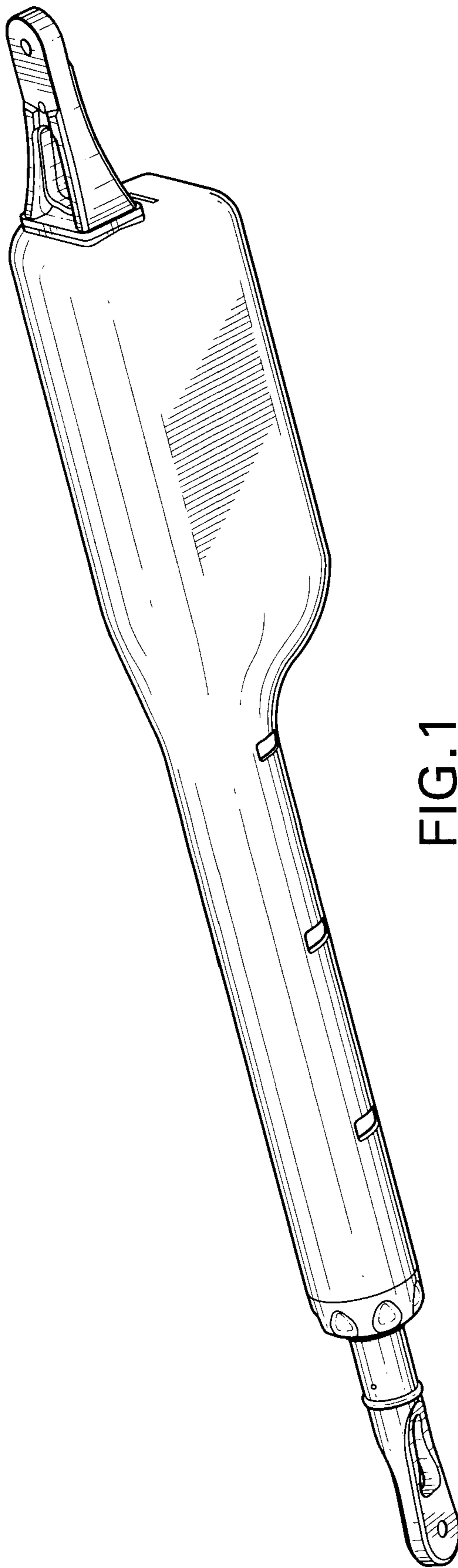


FIG. 1

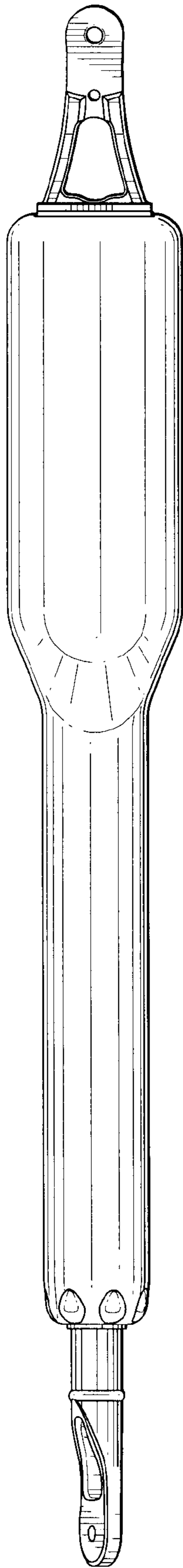


FIG. 2

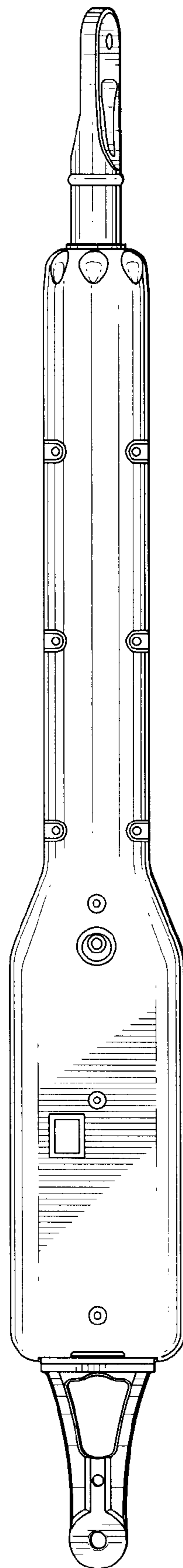


FIG. 3

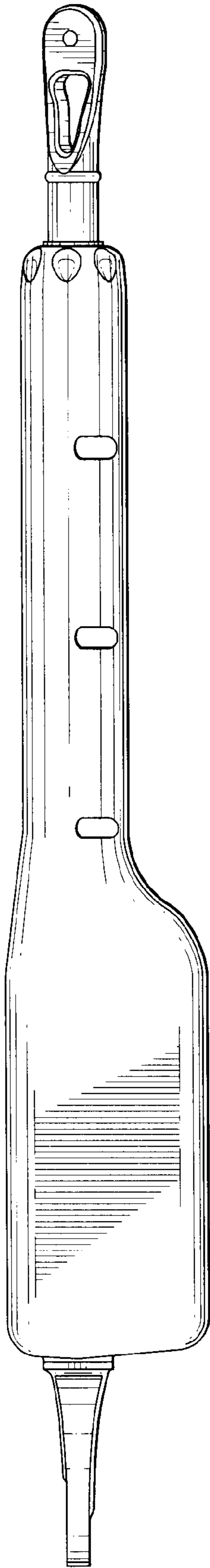


FIG. 4

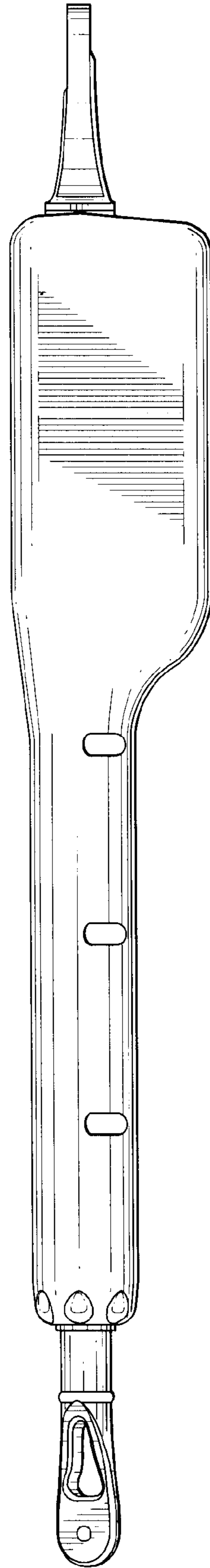


FIG. 5

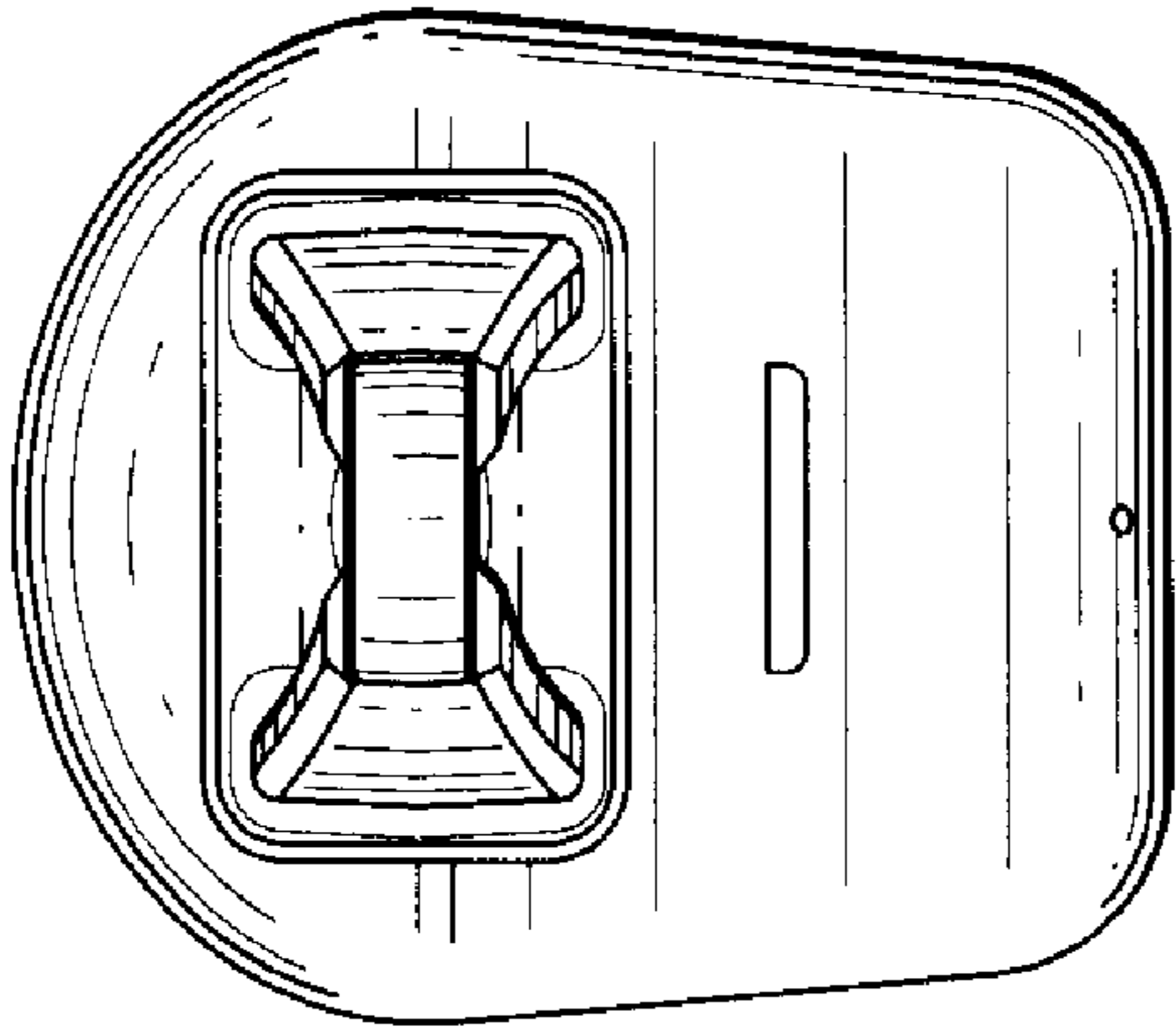


FIG. 7

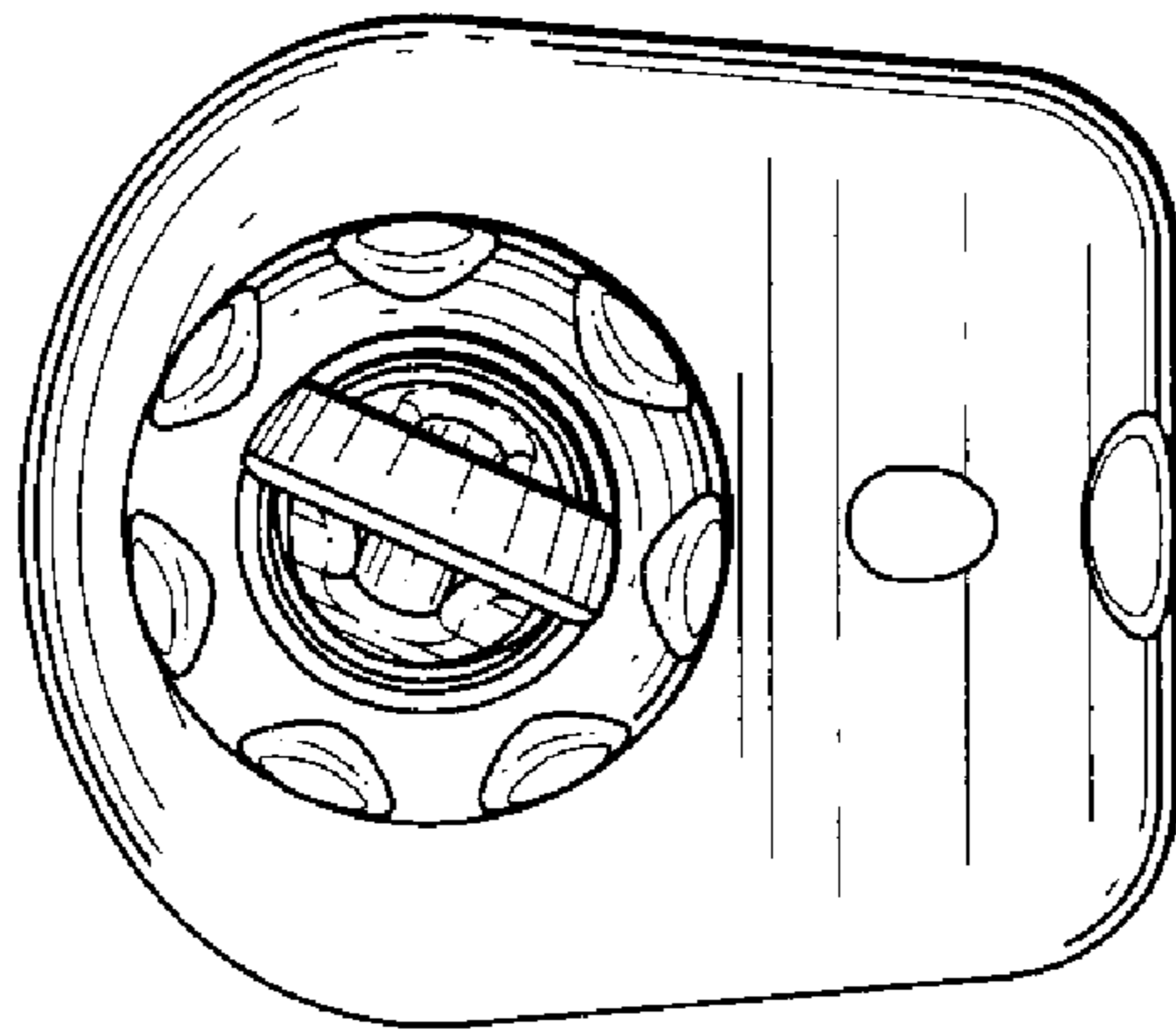


FIG. 6