

US00D522542S

(12) **United States Design Patent**  
**Czach et al.**

(10) **Patent No.:** **US D522,542 S**  
(45) **Date of Patent:** **\*\* Jun. 6, 2006**

(54) **STORAGE BIN**

(75) Inventors: **Matthew G. Czach**, Holland, MI (US);  
**Jonathan Van Dore**, St. Joseph, MI  
(US)

(73) Assignee: **Whirlpool Corporation**, Benton  
Harbor, MI (US)

(\*\*) Term: **14 Years**

(21) Appl. No.: **29/229,624**

(22) Filed: **May 10, 2005**

(51) **LOC (8) Cl.** ..... **15-07**

(52) **U.S. Cl.** ..... **D15/89**

(58) **Field of Classification Search** ..... D15/79,  
D15/80, 82, 85, 89-91; D6/387, 510, 511;  
D7/550.1, 554.3, 601-603; 62/137, 277,  
62/344, 382, 441, 465; 312/270.3, 292, 402-405,  
312/405.1

See application file for complete search history.

(56) **References Cited**

**U.S. PATENT DOCUMENTS**

D292,516 S \* 10/1987 Wolff ..... D15/89  
D344,739 S \* 3/1994 Edman et al. .... D15/89  
D358,403 S \* 5/1995 Edman et al. .... D15/89  
D375,856 S \* 11/1996 Martin ..... D6/511  
5,951,134 A \* 9/1999 Braun et al. .... 312/405.1

6,085,542 A \* 7/2000 Johnson et al. .... 62/441  
6,148,624 A \* 11/2000 Bishop et al. .... 62/137  
D447,493 S \* 9/2001 Shelley et al. .... D15/90  
D490,091 S \* 5/2004 Quinlan ..... D15/89  
D511,179 S \* 11/2005 Tunzi ..... D15/89  
2003/0020385 A1 \* 1/2003 Leimkuehler et al. ... 312/405.1

\* cited by examiner

*Primary Examiner*—Nanda Bondade

*Assistant Examiner*—Shanda C. Hill

(74) *Attorney, Agent, or Firm*—Stephen Krefman; Robert  
O. Rice; John F. Colligan

(57) **CLAIM**

The ornamental design for a storage bin, as shown and  
described.

**DESCRIPTION**

FIG. 1 is a reduced perspective view of a storage bin  
showing our new design, shown in its preferred environ-  
ment;

FIG. 2 is a front perspective view of the storage bin;

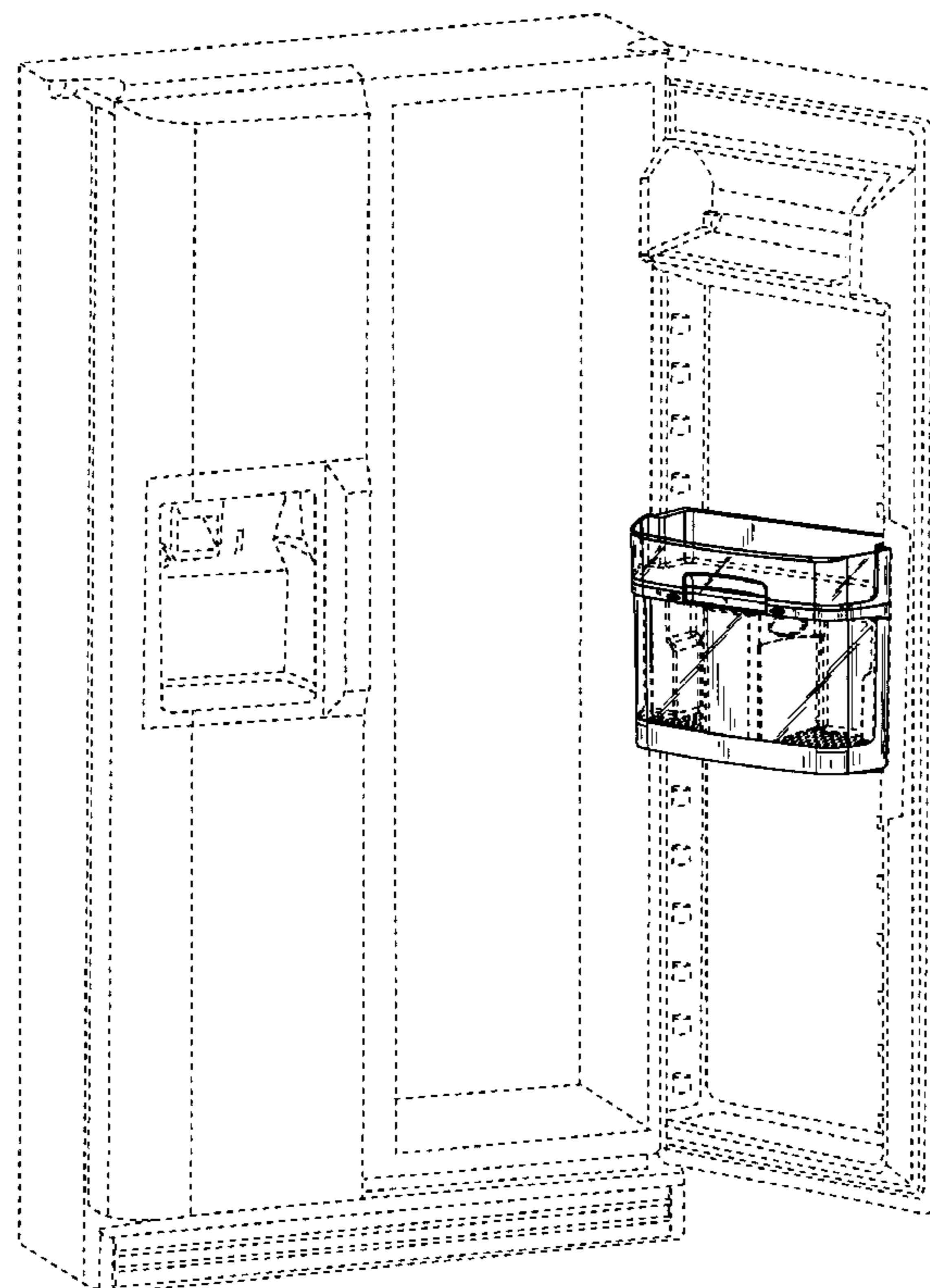
FIG. 3 is a front elevational view thereof;

FIG. 4 is a right side elevational view thereof, the left side  
elevational view being a mirror image thereto; and,

FIG. 5 is a top plan view thereof.

The portions shown in broken lines are for illustrative  
purposes only and do not form any part of the claimed  
design.

**1 Claim, 5 Drawing Sheets**



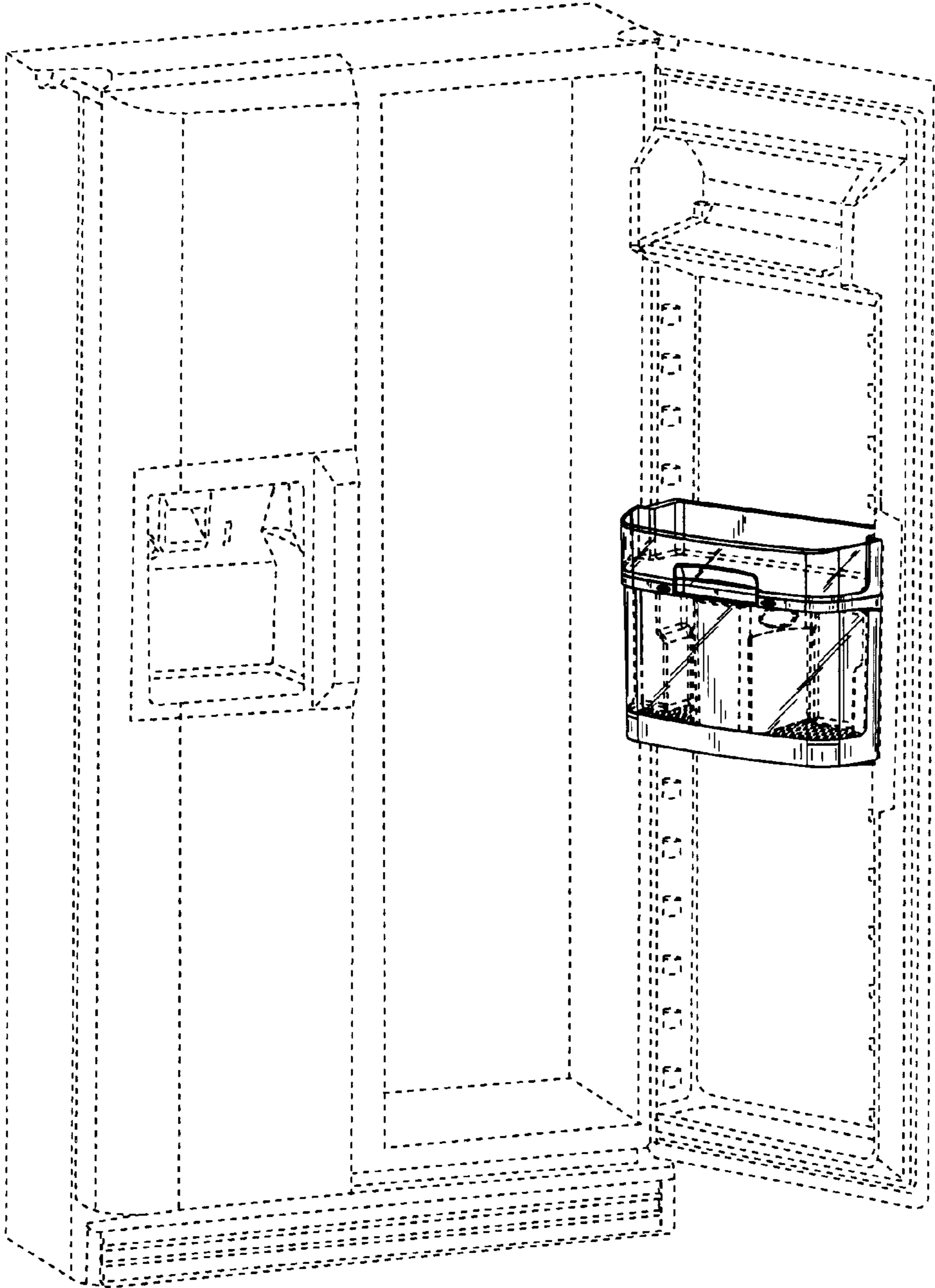
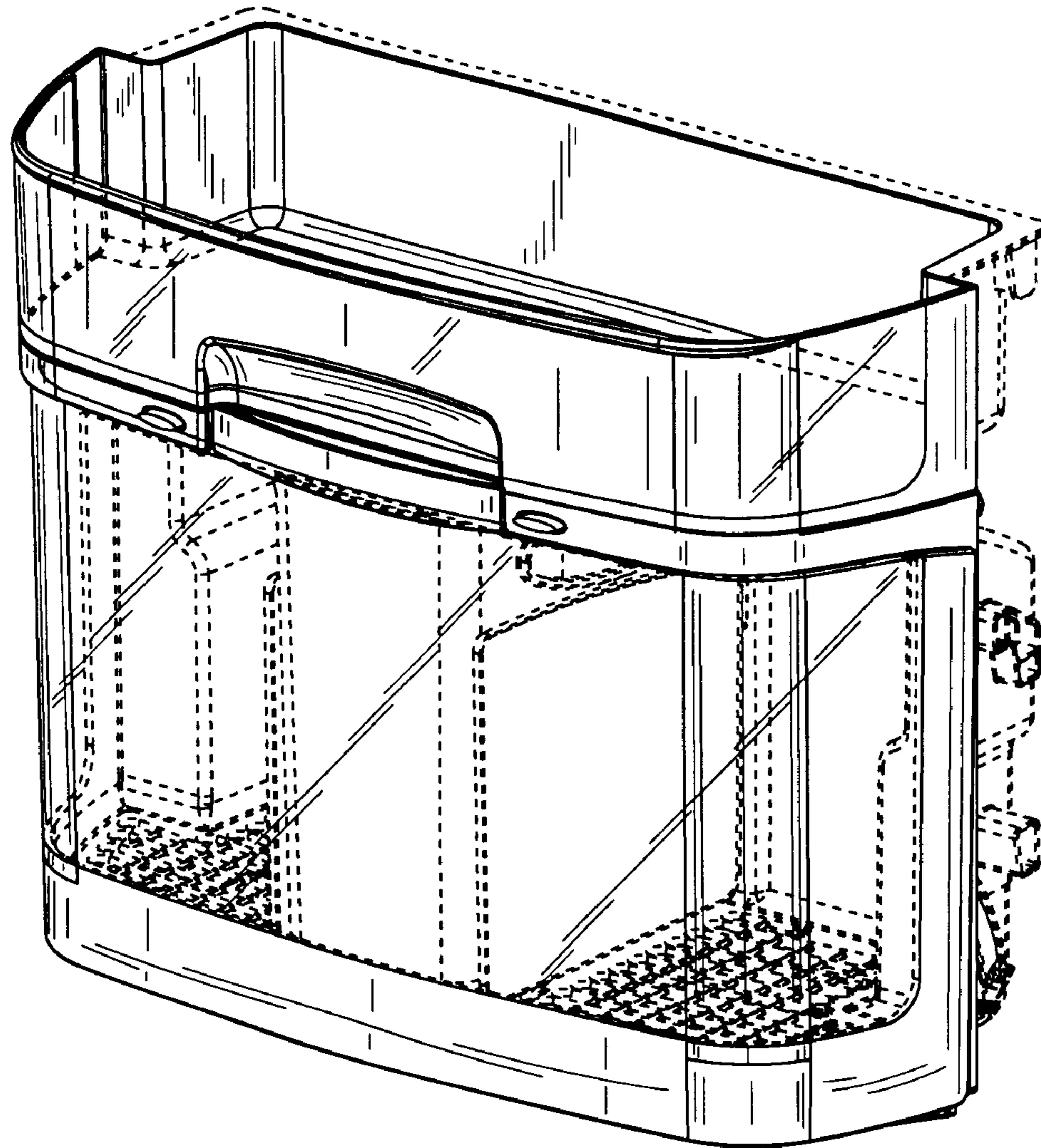


Fig. 1



**Fig. 2**

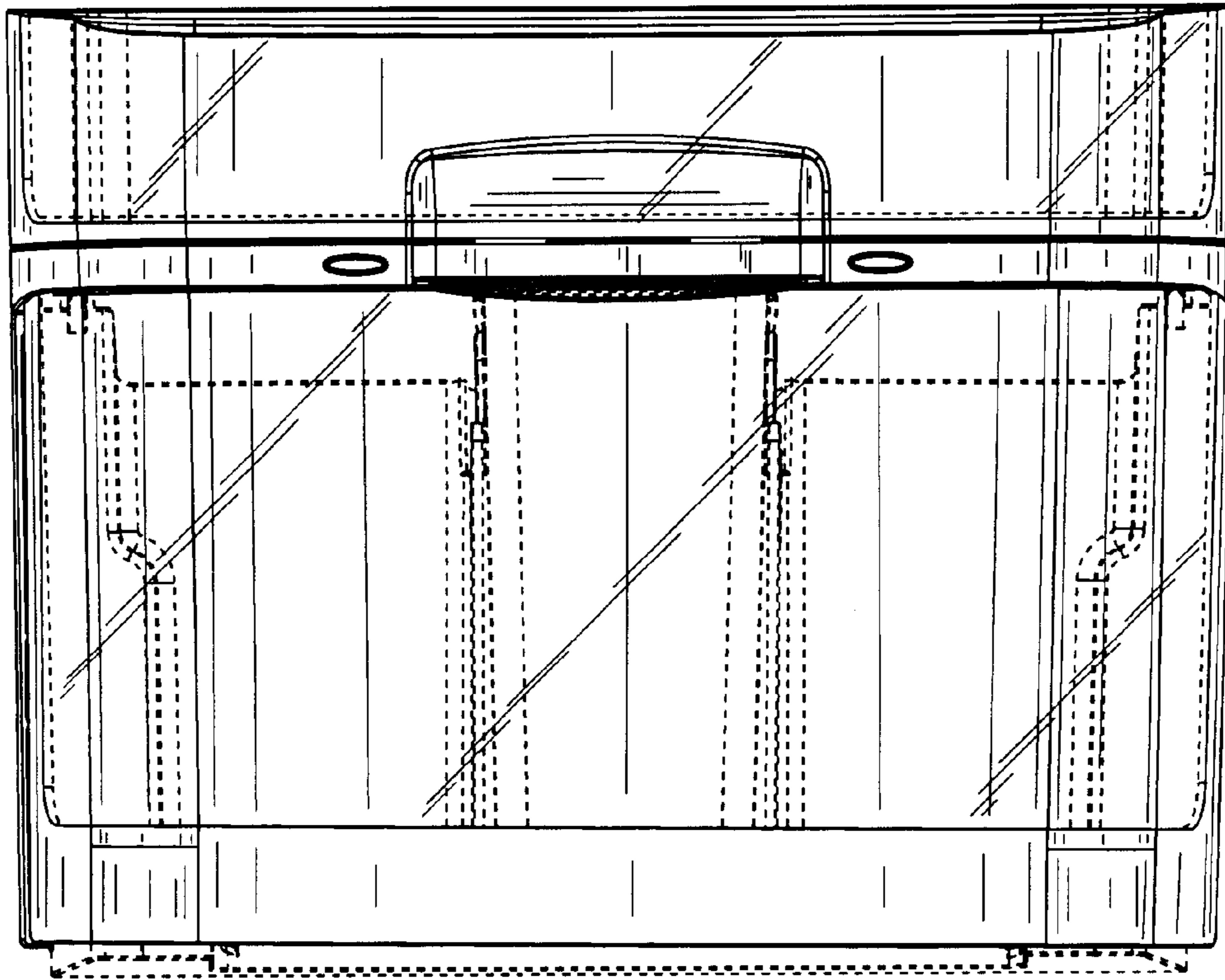
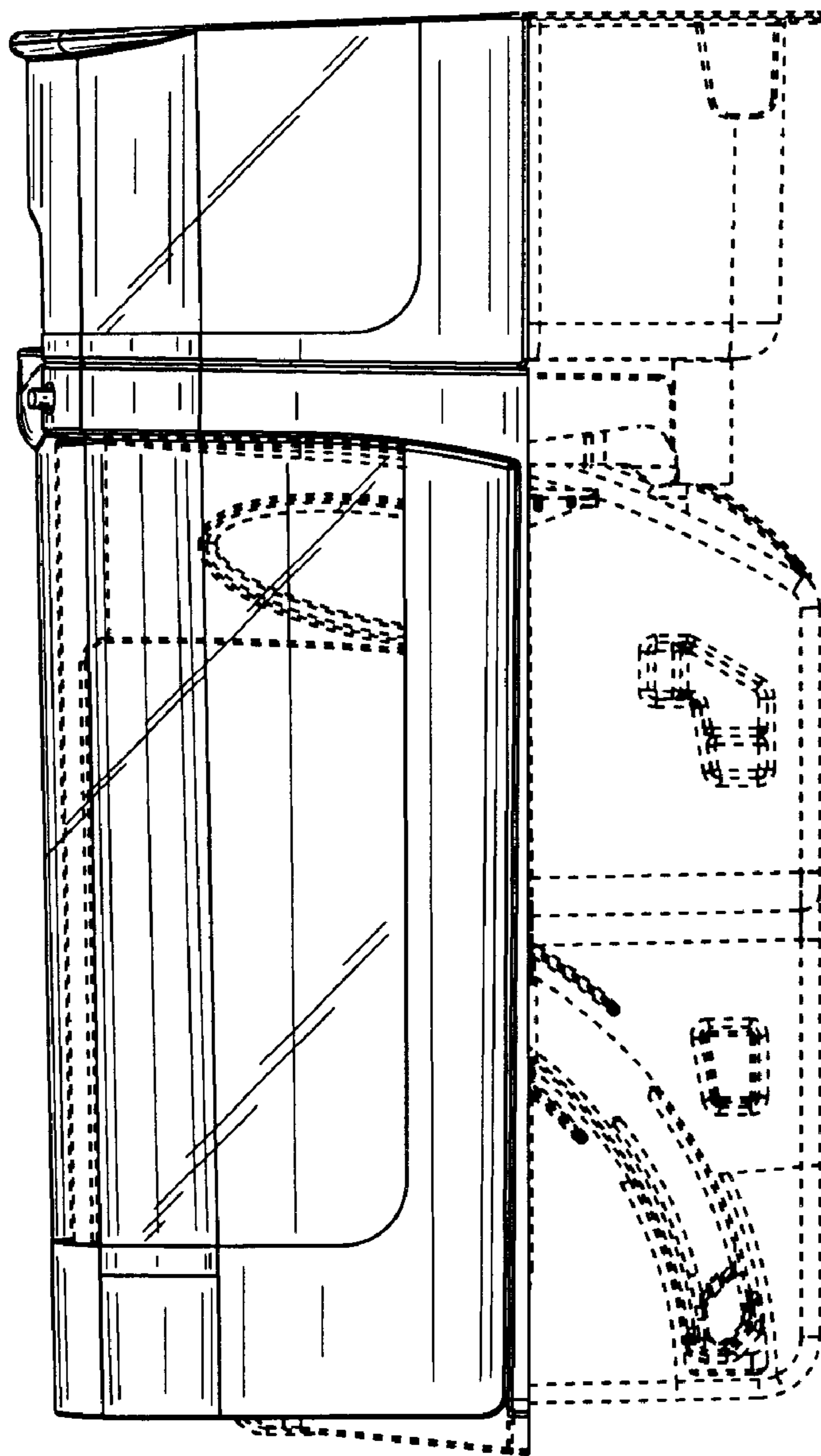
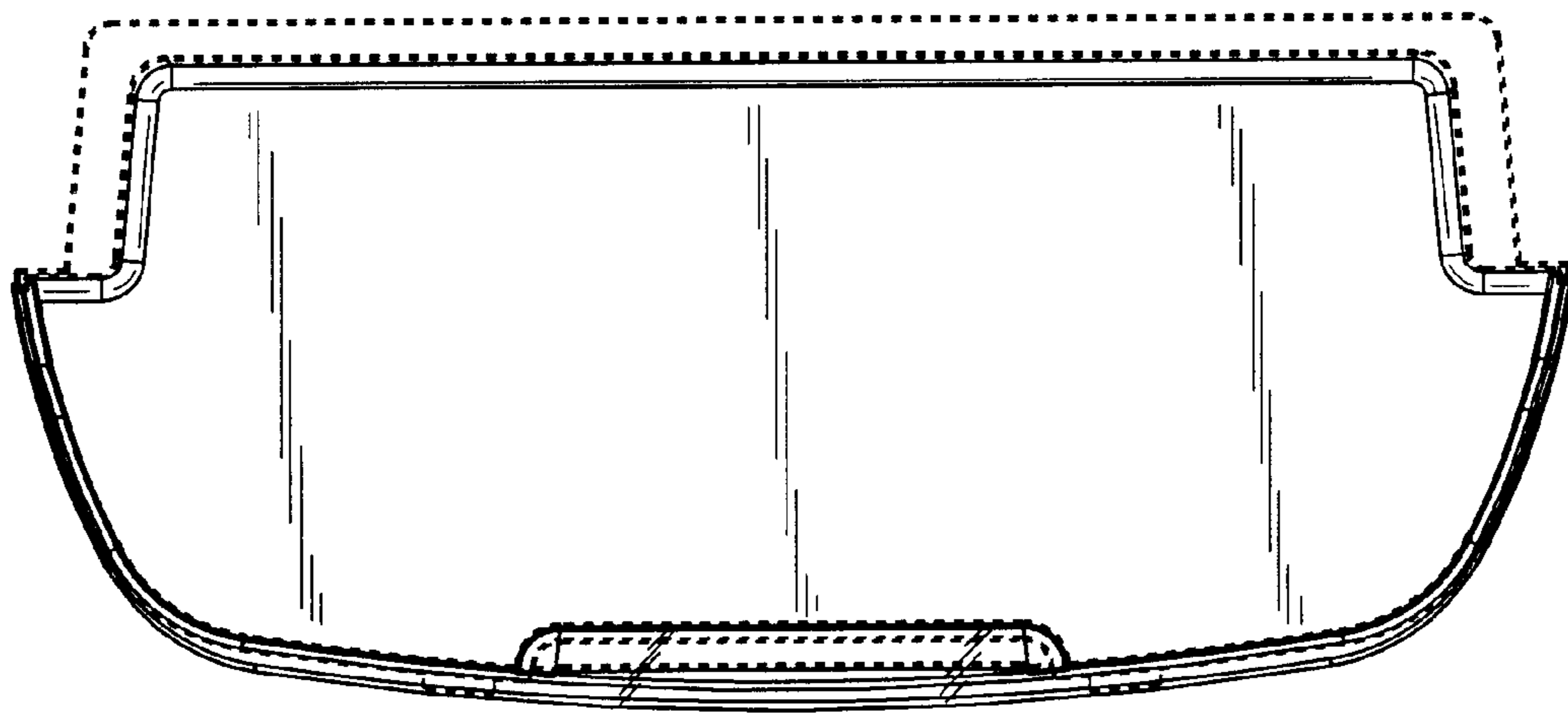


Fig. 3



**Fig. 4**



**Fig. 5**