

US00D522541S

(12) **United States Design Patent**
Kim et al.

(10) **Patent No.: US D522,541 S**
(45) **Date of Patent: ** Jun. 6, 2006**

(54) **REFRIGERATOR**

(75) Inventors: **Jeong Min Kim**, Seoul (KR); **Hea Mi Lee**, Seoul (KR); **Young Min Park**, Seoul (KR)

(73) Assignee: **Samsung Electronics Co., Ltd.** (KR)

(**) Term: **14 Years**

(21) Appl. No.: **29/239,344**

(22) Filed: **Sep. 29, 2005**

(30) **Foreign Application Priority Data**

Jul. 26, 2005 (KR) 30-2005-0025101

(51) **LOC (8) Cl.** **15-07**

(52) **U.S. Cl.** **D15/86**

(58) **Field of Classification Search** D15/79,
D15/81, 85, 86; 62/3.1, 3.6, 3.63, 3.64, 389-400,
62/440, 441, 467, 531; 312/236, 352, 400-405
See application file for complete search history.

(56) **References Cited**

U.S. PATENT DOCUMENTS

D210,560 S * 3/1968 Kennedy D15/86
5,568,712 A * 10/1996 Jenkins et al. 312/405
5,909,937 A * 6/1999 Jenkins et al. 312/400
D415,504 S * 10/1999 Han D15/85
6,055,823 A * 5/2000 Baker et al. 62/441

D449,625 S * 10/2001 Yu D15/81
D467,597 S * 12/2002 Min et al. D15/85
D477,340 S * 7/2003 Kim et al. D15/85
D495,719 S * 9/2004 Kirchner et al. D15/86
D508,249 S * 8/2005 Seok et al. D15/86
D508,925 S * 8/2005 Seok et al. D15/86
D508,926 S * 8/2005 Seok et al. D15/86

* cited by examiner

Primary Examiner—Mitchell Siegel

Assistant Examiner—Shanda C. Hill

(74) *Attorney, Agent, or Firm*—Irving Keschner

(57) **CLAIM**

The ornamental design for refrigerator, as shown and described.

DESCRIPTION

FIG. 1 is a perspective view of a refrigerator showing our new design;
FIG. 2 is a front elevational view thereof;
FIG. 3 is a rear elevational view thereof;
FIG. 4 is a left side elevational view thereof;
FIG. 5 is a right side elevational view thereof;
FIG. 6 is a top plan view thereof;
FIG. 7 is a bottom plan view thereof; and,
FIG. 8 is a perspective view of FIG. 1 shown in an open position.

1 Claim, 7 Drawing Sheets

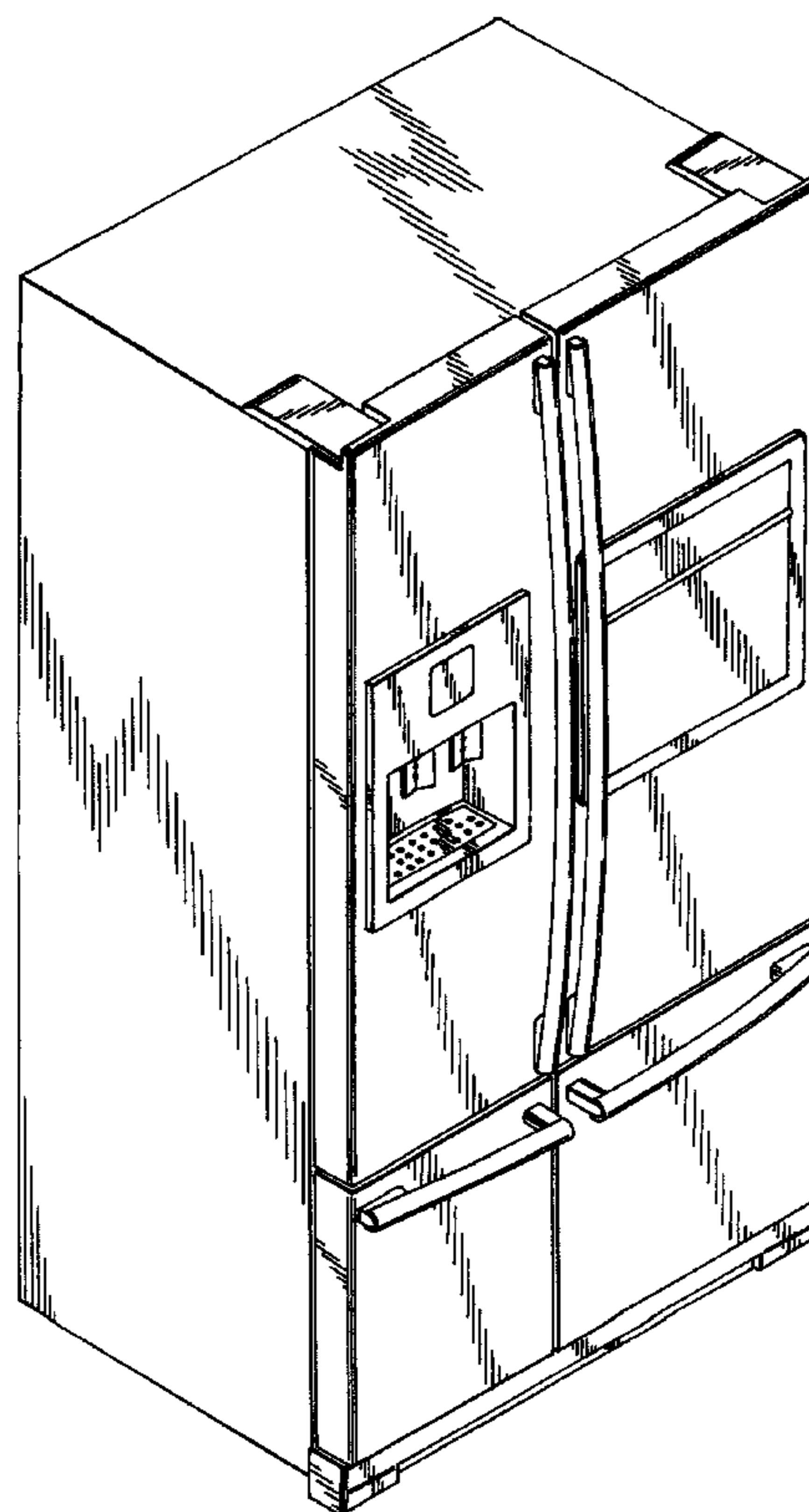


FIG. 1

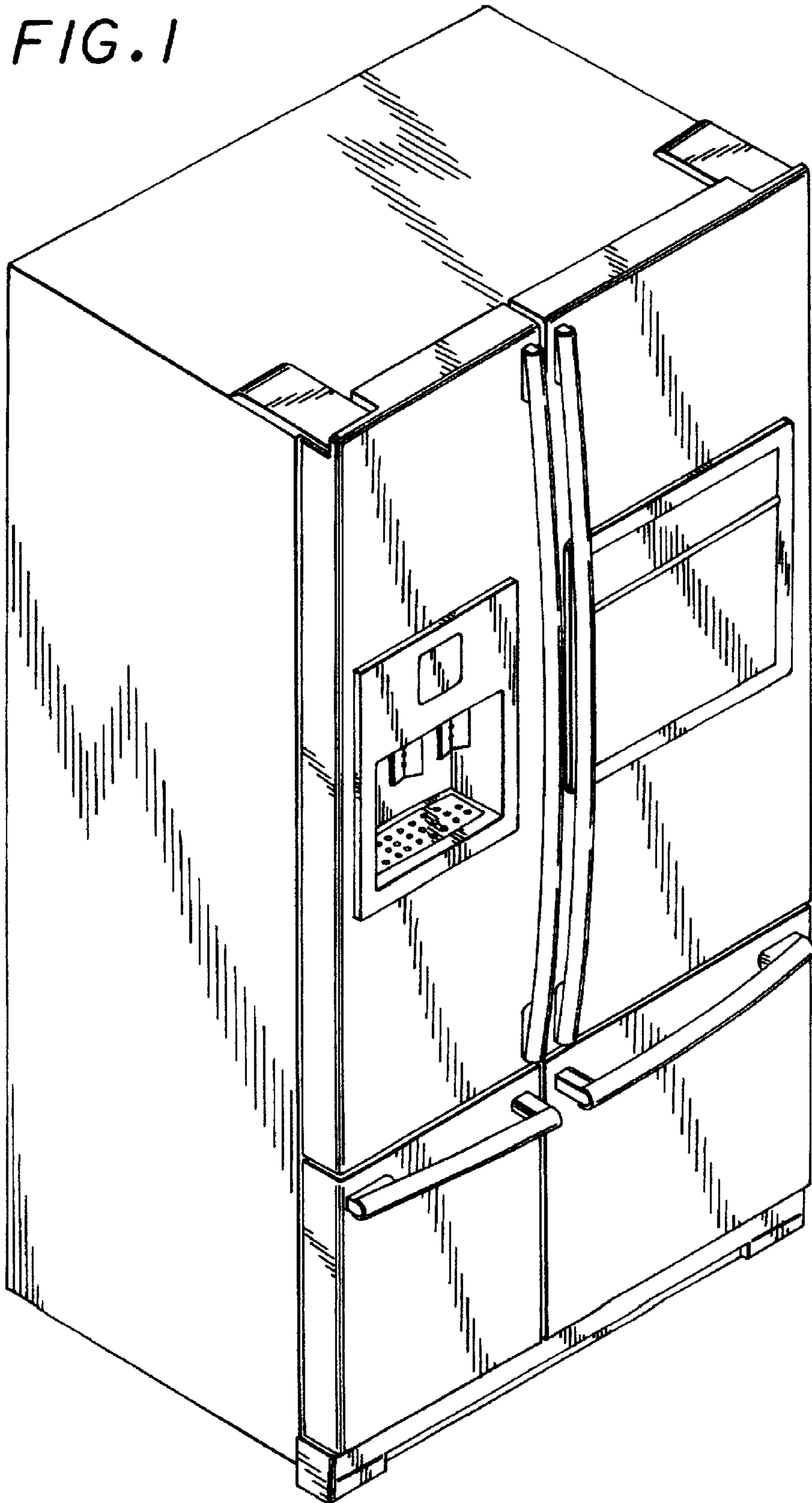


FIG. 2

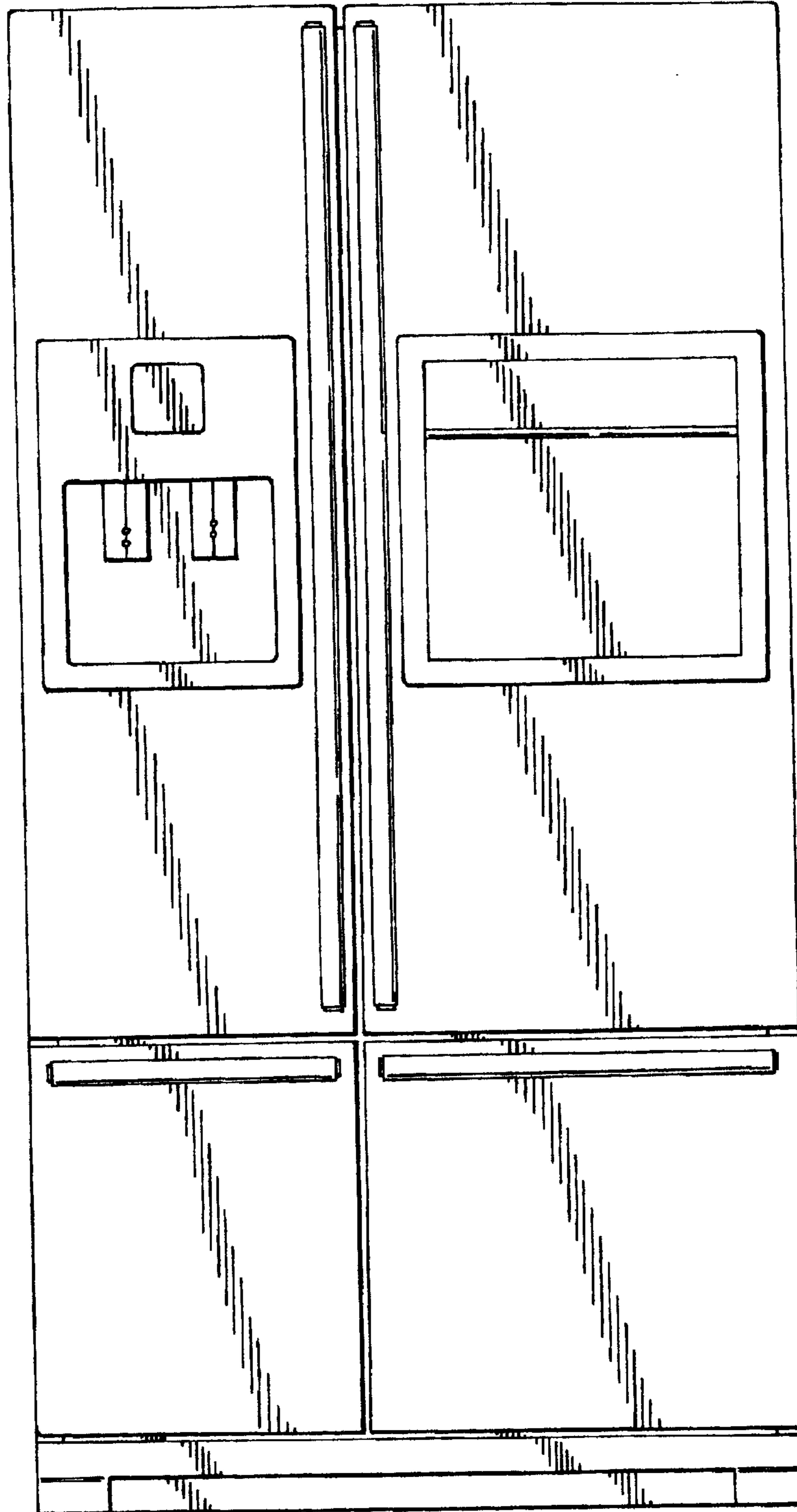


FIG. 3

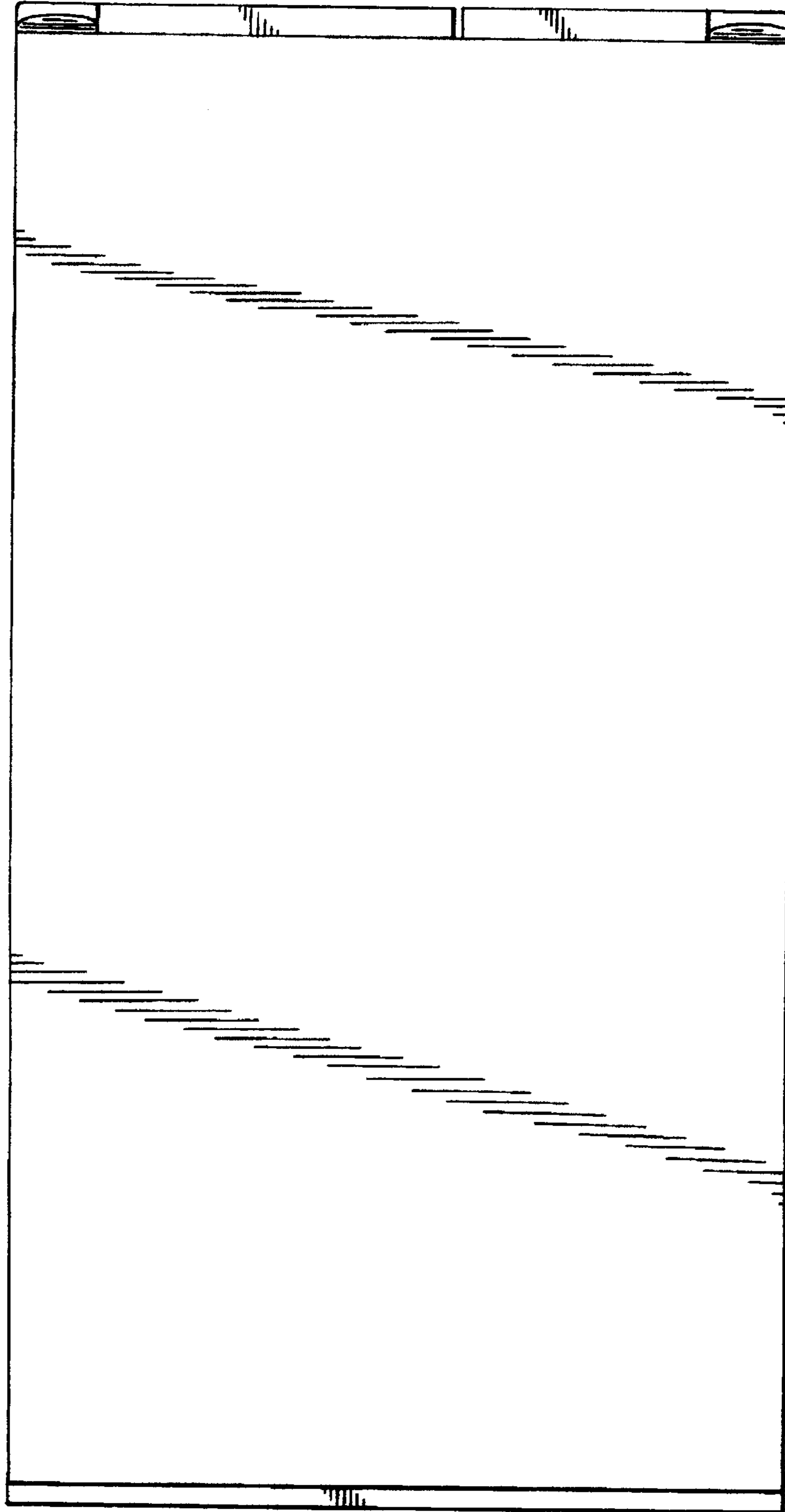


FIG. 4

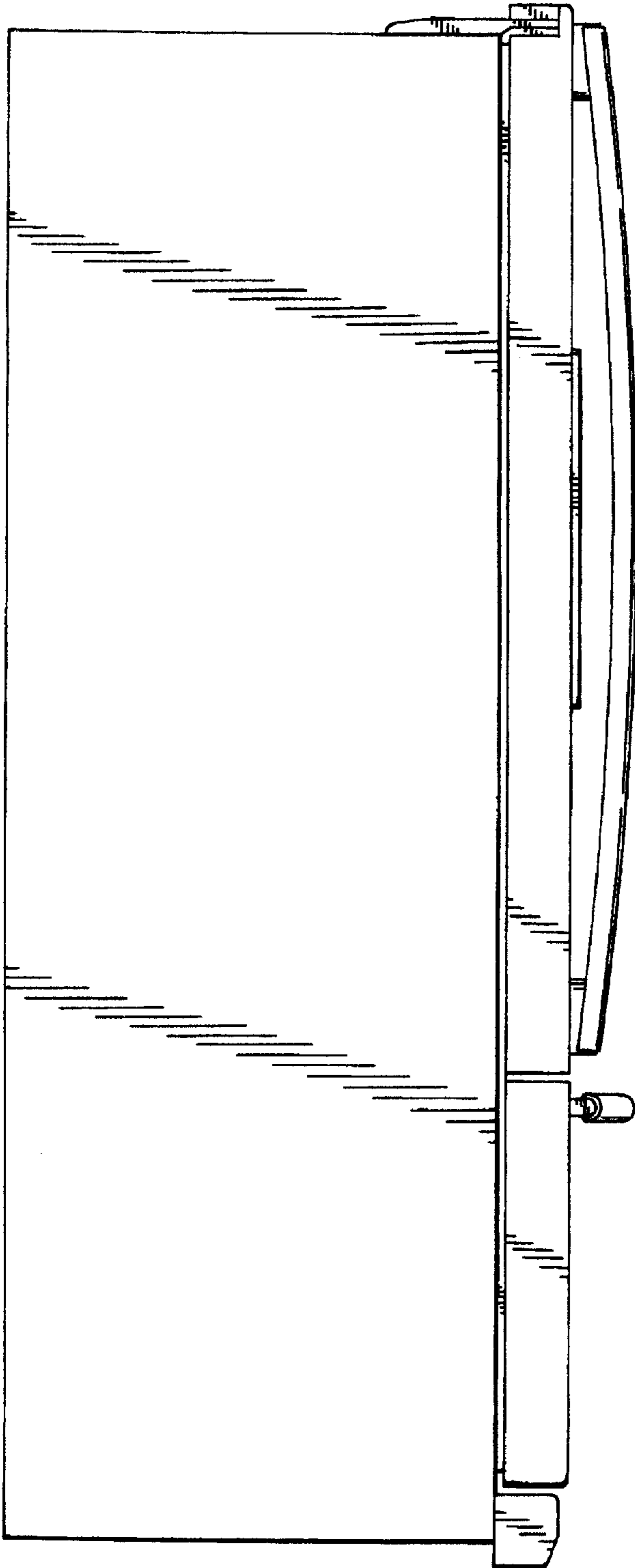


FIG. 5

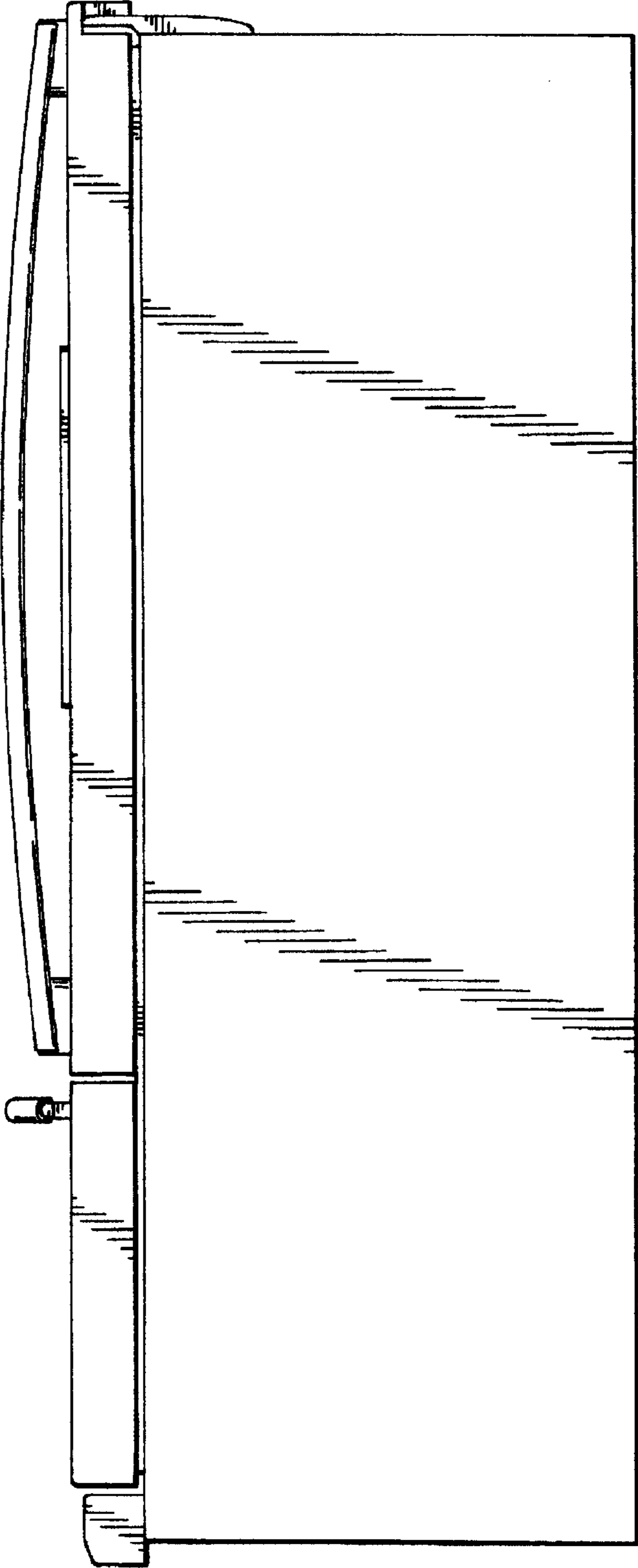


FIG. 6

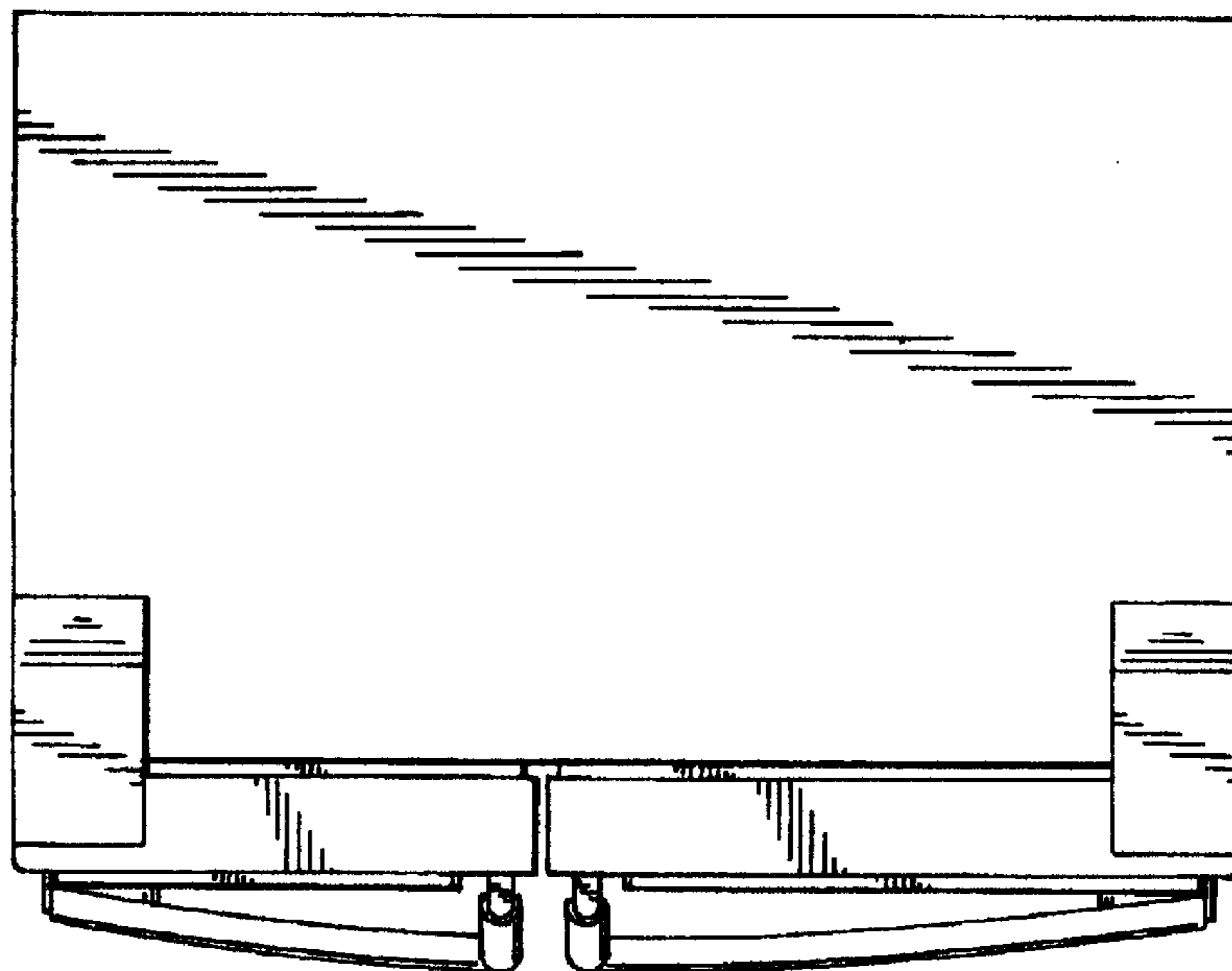


FIG. 7

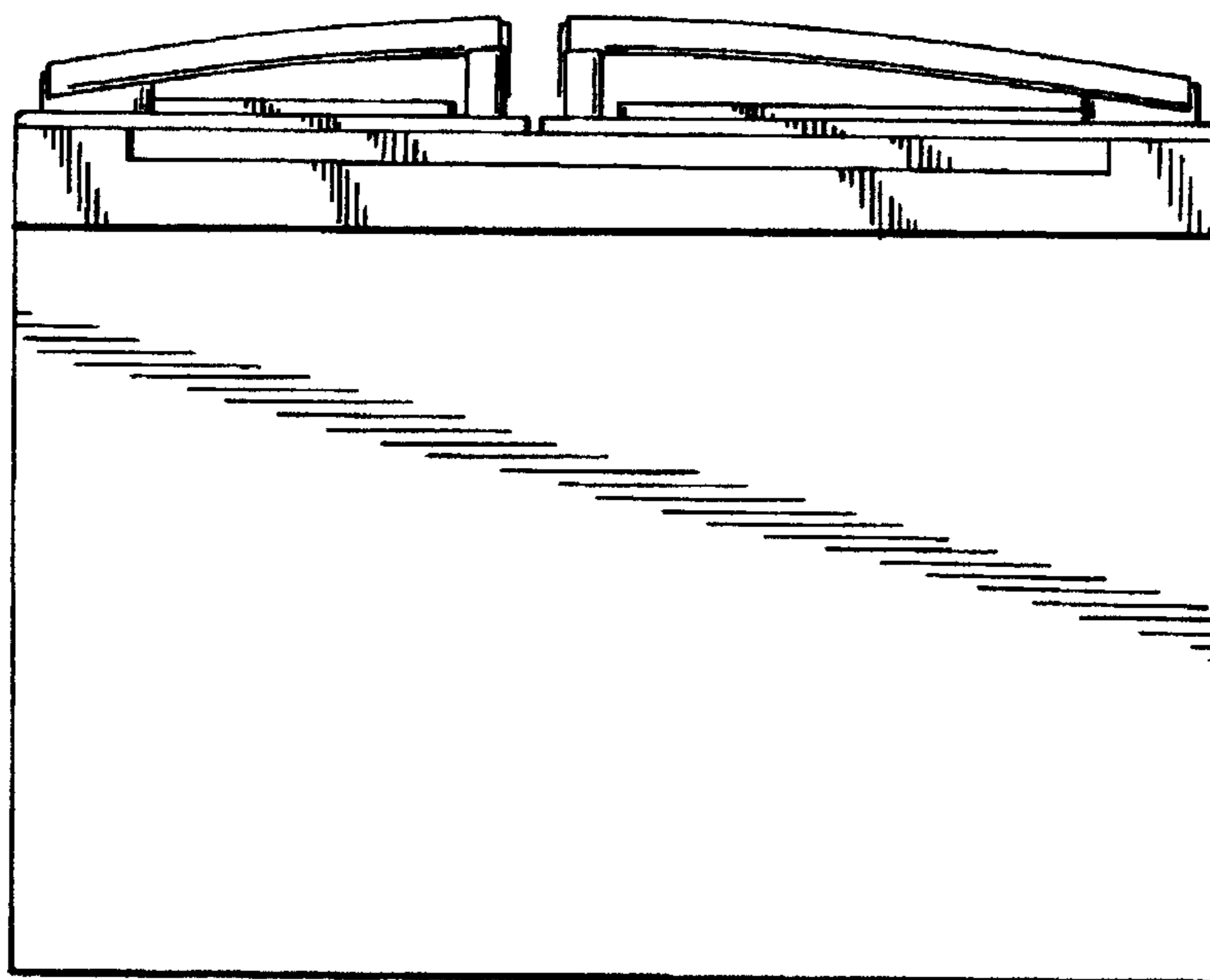


Fig. 8

