

US00D522540S

(12) **United States Design Patent**  
**Cho et al.**

(10) **Patent No.:** **US D522,540 S**

(45) **Date of Patent:** **\*\* Jun. 6, 2006**

(54) **REFRIGERATOR**

(75) Inventors: **Kyeong Chul Cho**, KwangMyoung-si (KR); **Kun Jun Seok**, Seoul (KR)

(73) Assignee: **LG Electronics Inc.**, Seoul (KR)

(\*\*) Term: **14 Years**

(21) Appl. No.: **29/230,732**

(22) Filed: **May 26, 2005**

(30) **Foreign Application Priority Data**

Nov. 26, 2004 (KR) ..... 30-2004-0036201

(51) **LOC (8) Cl.** ..... **15-07**

(52) **U.S. Cl.** ..... **D15/86**

(58) **Field of Classification Search** ..... D15/79-82,  
D15/84-88; 62/293, 339, 373, 440-445,  
62/457; 312/114-119, 138.1, 139.1, 236,  
312/405

See application file for complete search history.

(56) **References Cited**

**U.S. PATENT DOCUMENTS**

- D188,011 S \* 5/1960 Ferar et al. .... D15/87
- D196,207 S \* 9/1963 Fink ..... D15/87
- D200,679 S \* 3/1965 Ferar et al. .... D15/87
- D210,560 S \* 3/1968 Kennedy et al. .... D15/86

- D299,145 S \* 12/1988 Kuwabara et al. .... D15/86
- D387,779 S \* 12/1997 Weiss et al. .... D15/85
- D415,504 S \* 10/1999 Han ..... D15/85
- D452,255 S \* 12/2001 Chai et al. .... D15/85
- D495,719 S \* 9/2004 Kirchner et al. .... D15/86
- D508,059 S \* 8/2005 Seok et al. .... D15/86
- D508,925 S \* 8/2005 Seok et al. .... D15/86
- D508,926 S \* 8/2005 Seok et al. .... D15/86

\* cited by examiner

*Primary Examiner*—Mitchell Siegel

*Assistant Examiner*—Shanda C. Hill

(74) *Attorney, Agent, or Firm*—Birch, Stewart, Kolasch & Birch, LLP

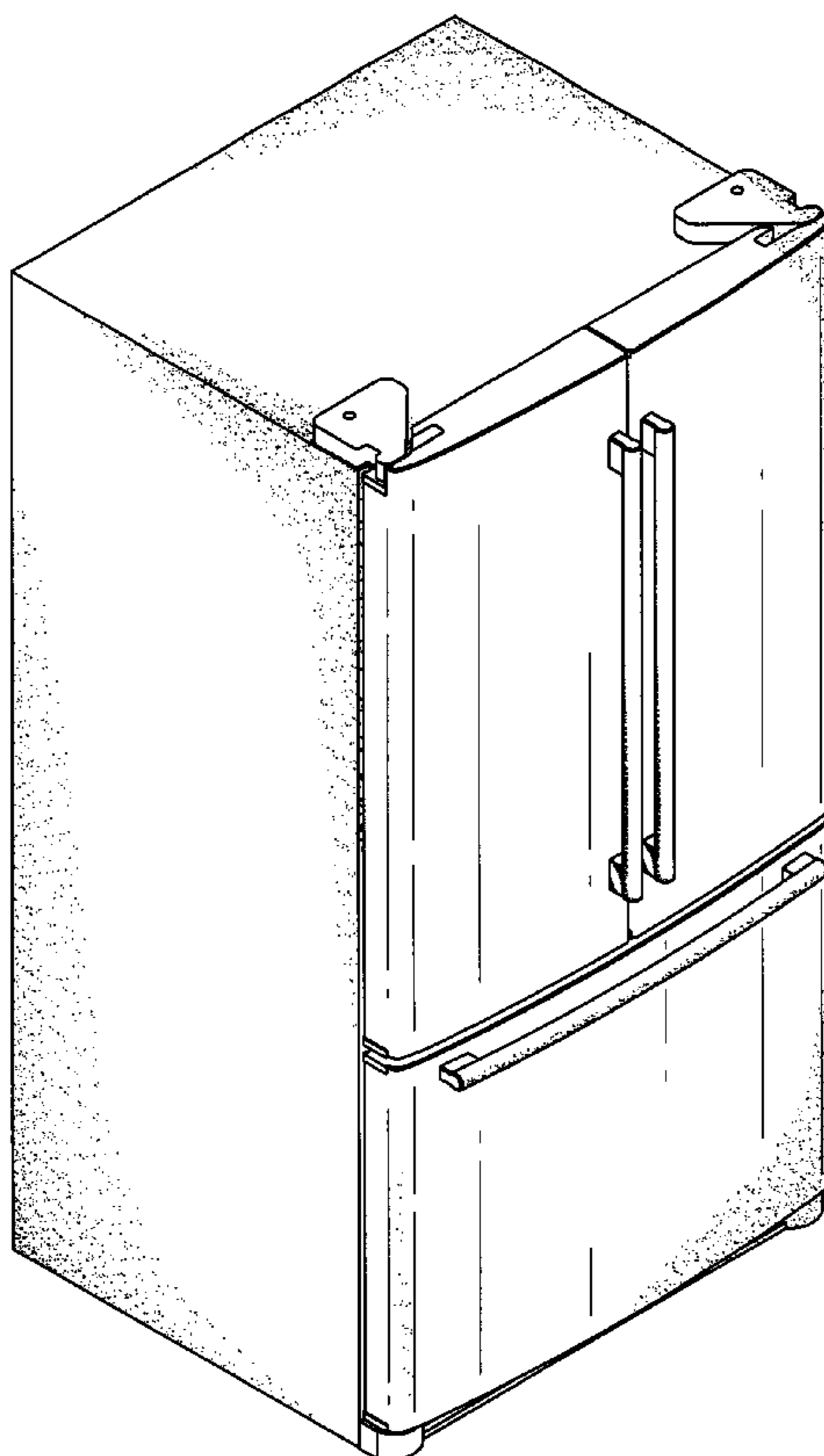
(57) **CLAIM**

The ornamental design for a refrigerator, as shown.

**DESCRIPTION**

FIG. 1 is a front, left perspective view of the refrigerator showing our new design;  
 FIG. 2 is a front view thereof;  
 FIG. 3 is a rear view thereof;  
 FIG. 4 is a left side view thereof;  
 FIG. 5 is a right side view thereof;  
 FIG. 6 is a top view thereof; and,  
 FIG. 7 is a bottom view thereof.

**1 Claim, 6 Drawing Sheets**



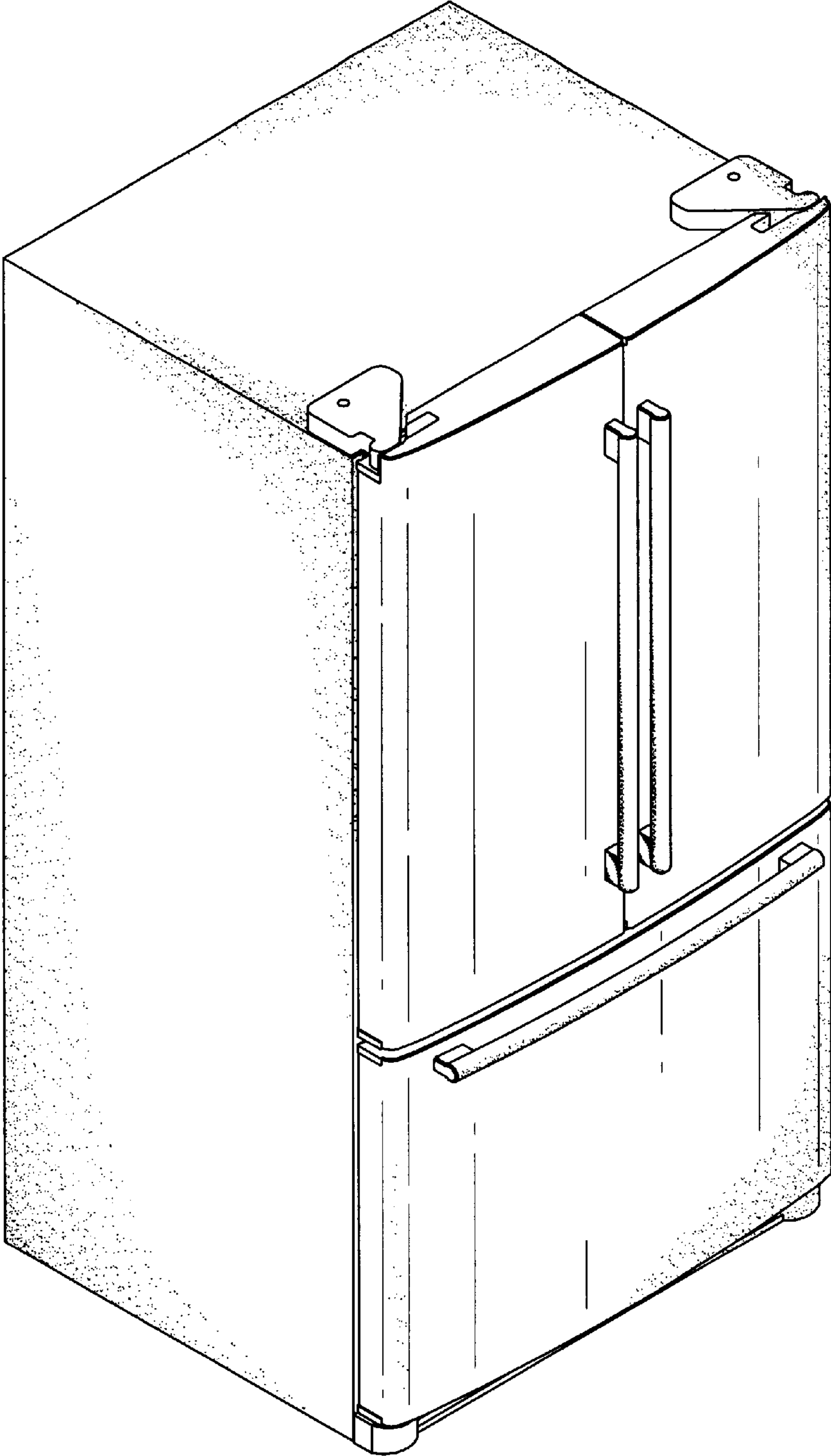


FIG. 1

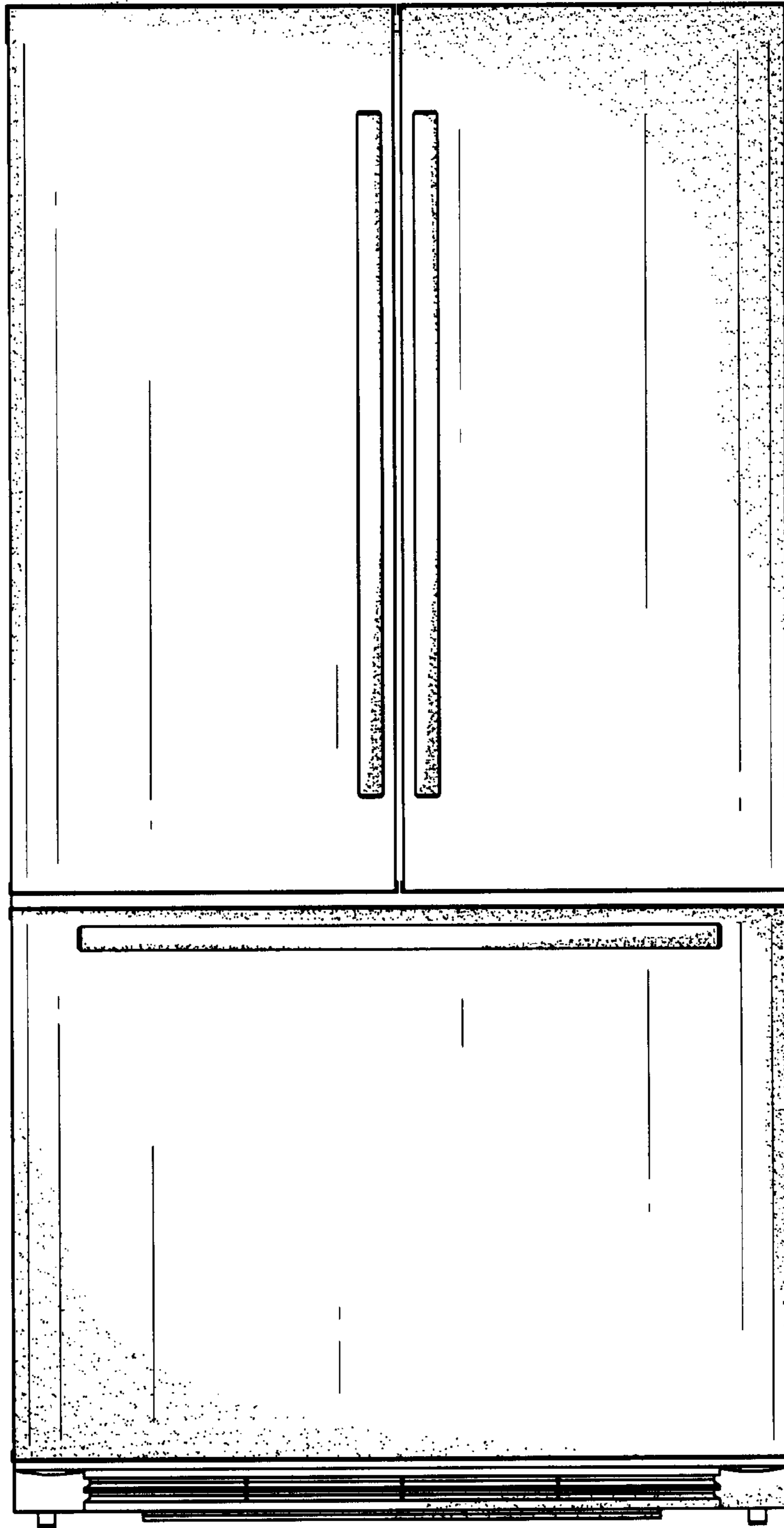


FIG. 2

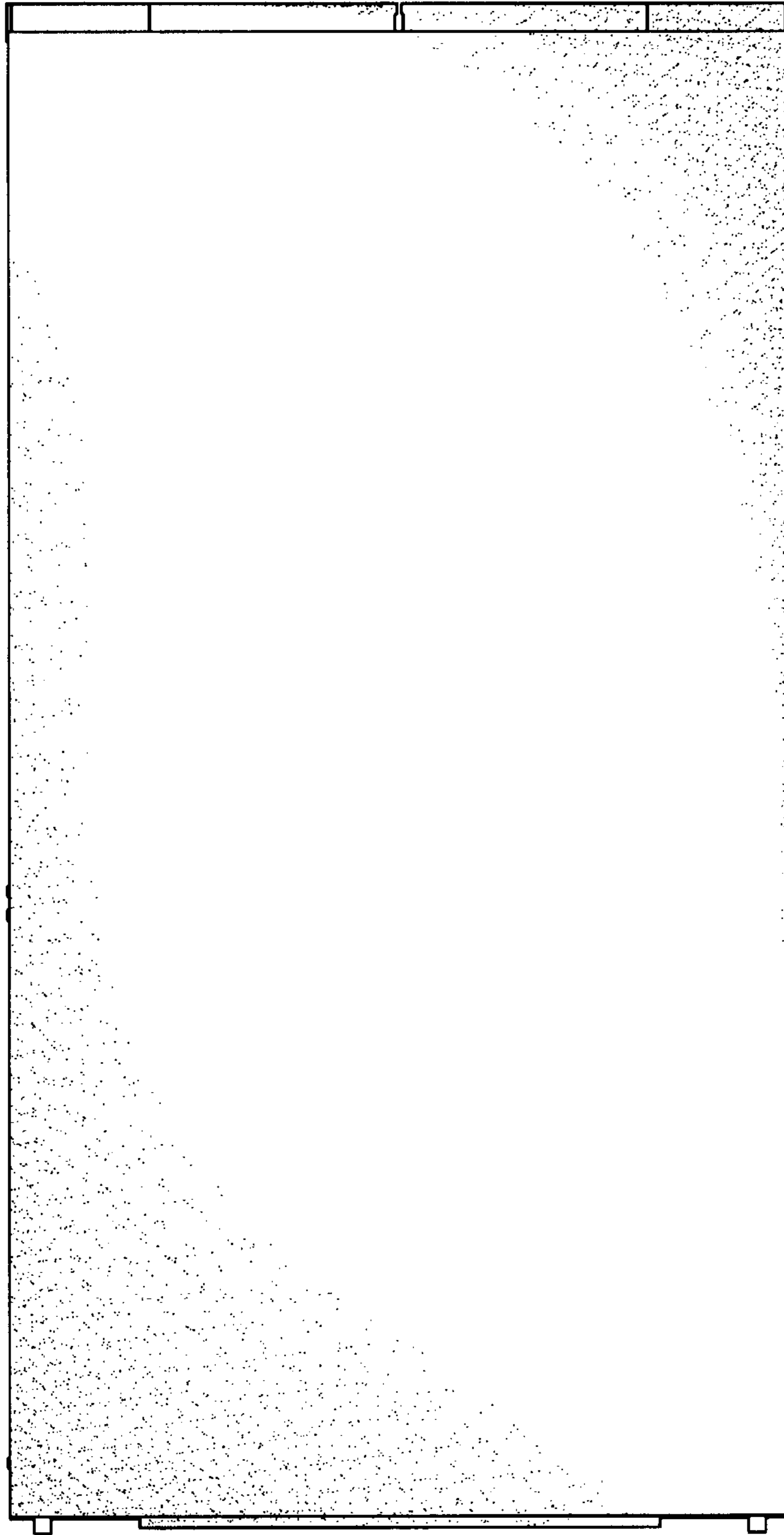


FIG. 3

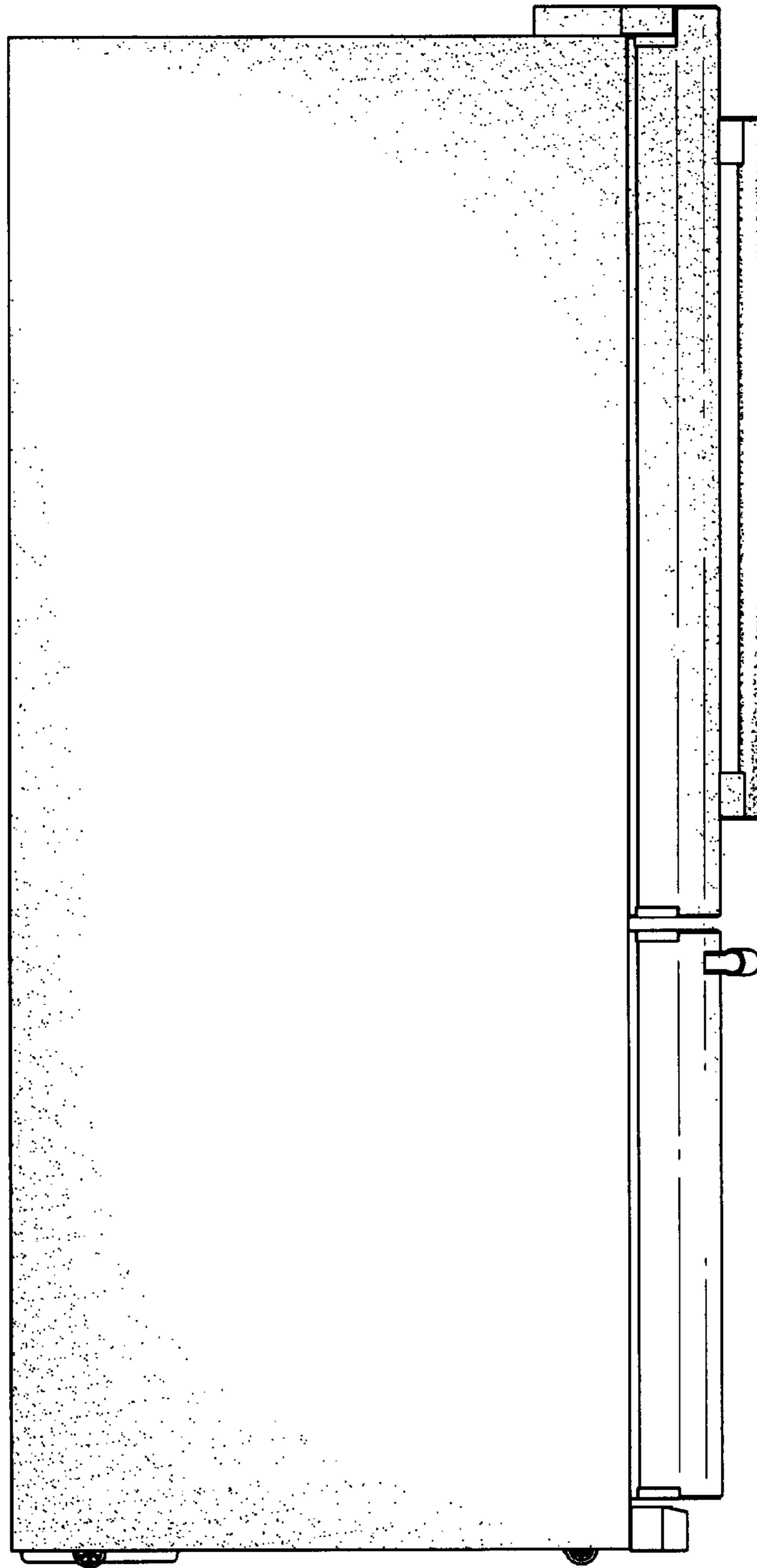


FIG.4

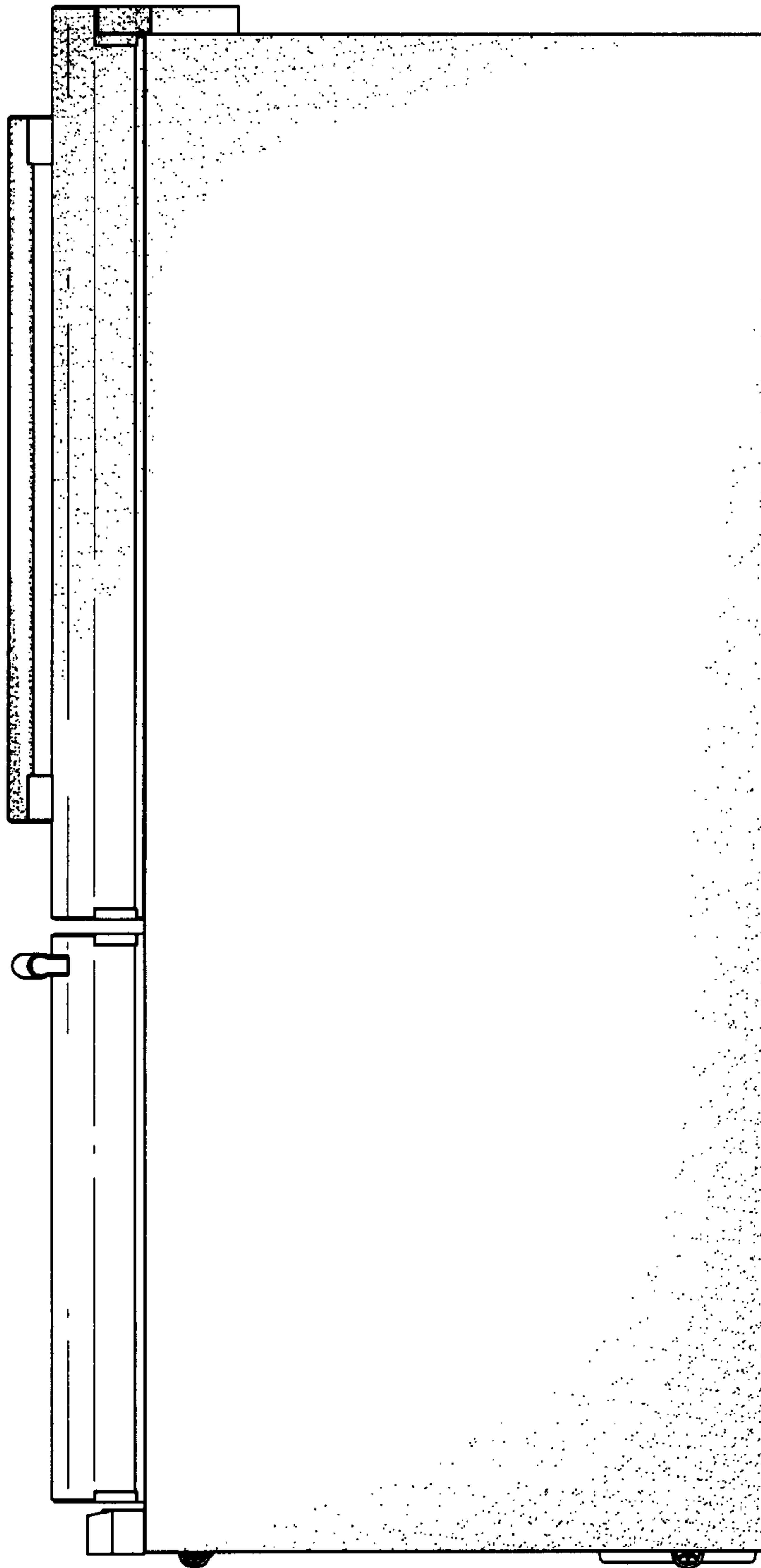


FIG.5

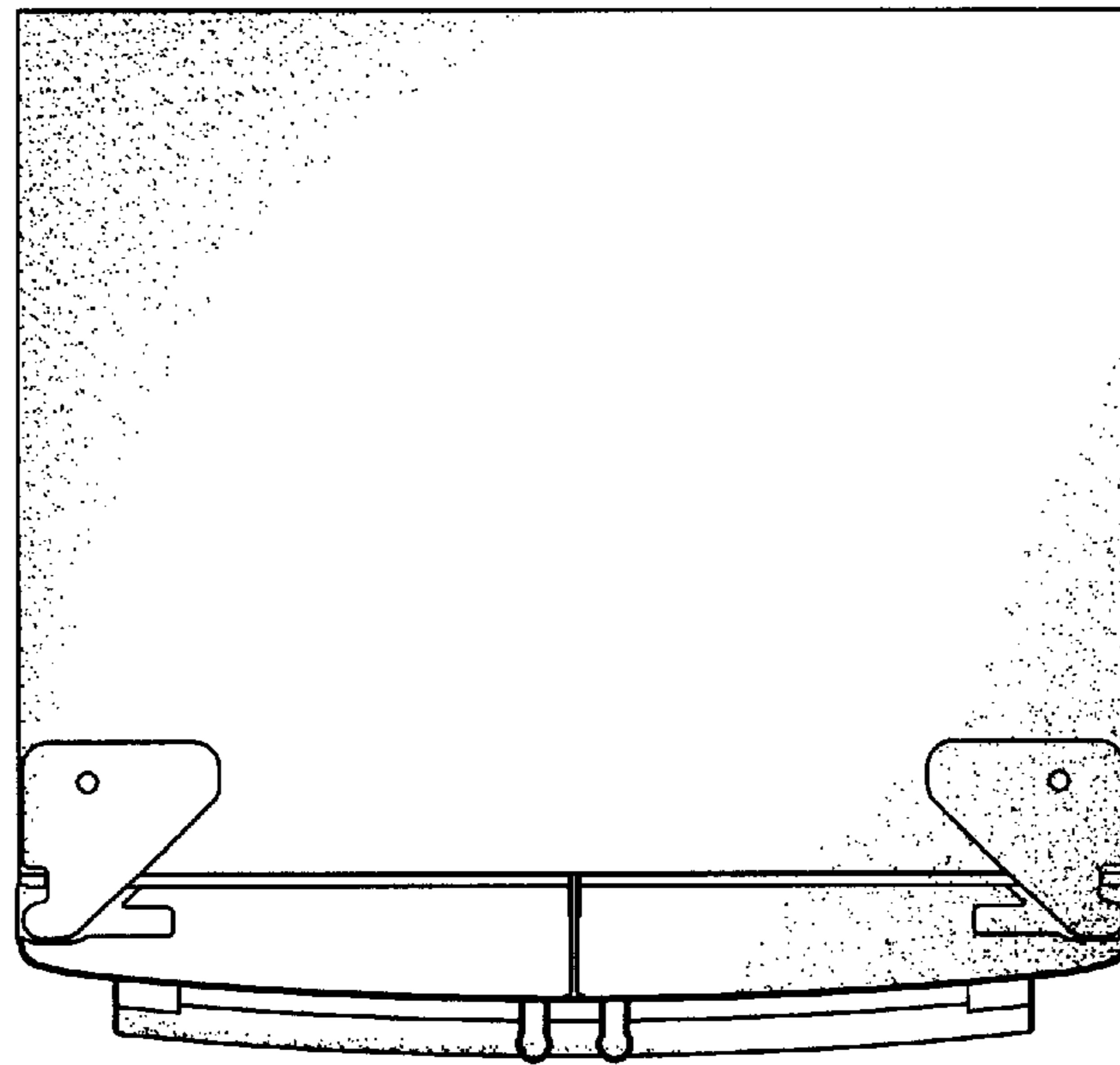


FIG. 6

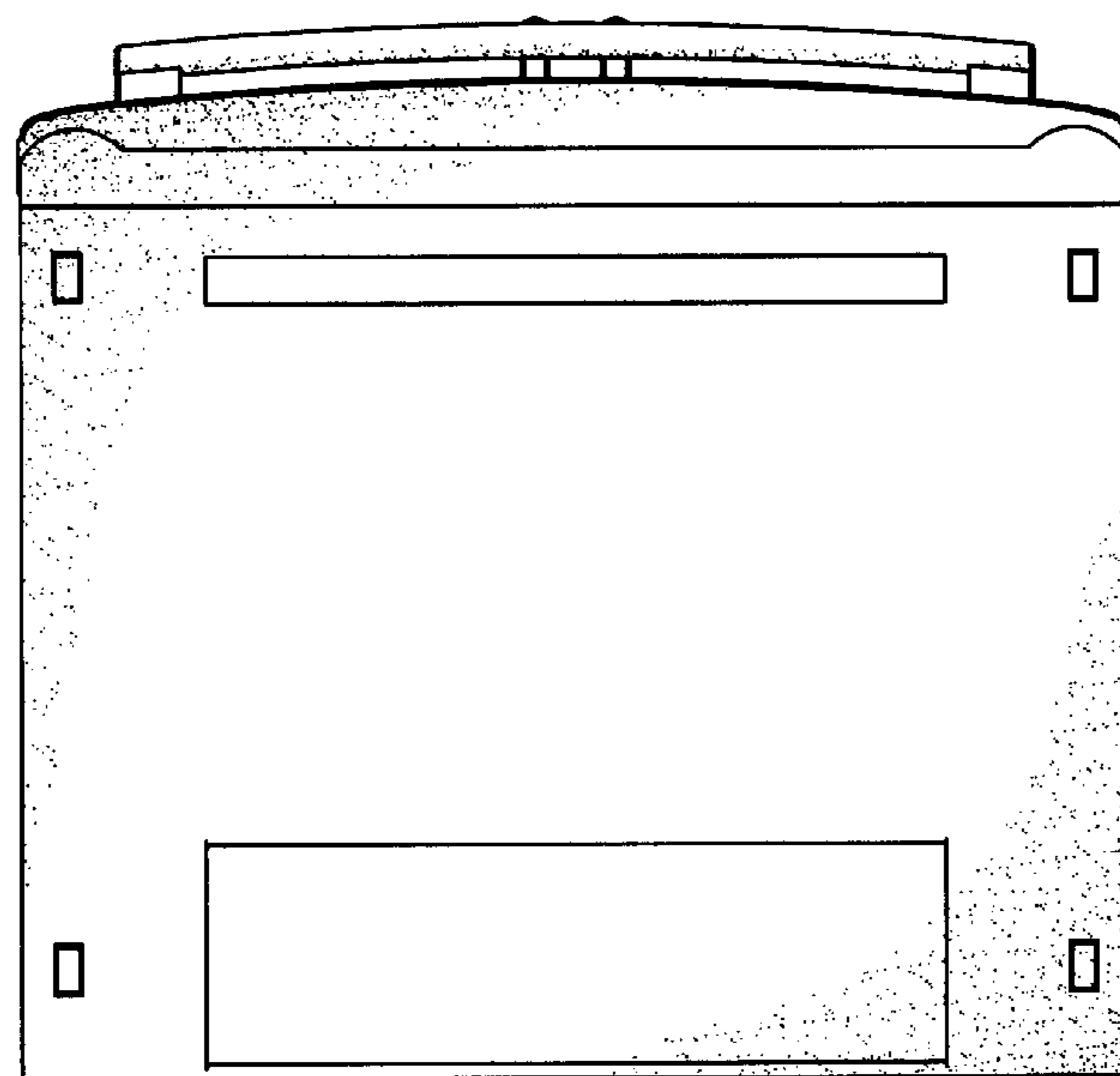


FIG. 7