

US00D522539S

(12) **United States Design Patent**  
**Debontridder**

(10) **Patent No.:** **US D522,539 S**

(45) **Date of Patent:** **\*\* Jun. 6, 2006**

(54) **REFRIGERATOR**

(75) Inventor: **Lutgard Debontridder**, Roeselare (BE)

(73) Assignee: **North Atlantic Patent & Investment Holding S.A.**, Luxembourg (LU)

(\*\*) Term: **14 Years**

(21) Appl. No.: **29/235,529**

(22) Filed: **Aug. 3, 2005**

(51) **LOC (8) Cl.** ..... **15-07**

(52) **U.S. Cl.** ..... **D15/81**

(58) **Field of Classification Search** ..... D15/79-83;  
D6/329, 396, 397, 449, 470-474; 62/3.1,  
62/246-258, 261, 262, 297, 440, 467, 531;  
312/3, 114-119, 122, 236, 352, 400-401  
See application file for complete search history.

(56) **References Cited**

**U.S. PATENT DOCUMENTS**

D209,722 S	*	12/1967	Mangini	.....	D6/471
D392,295 S	*	3/1998	Johnson	.....	D15/81
D398,791 S	*	9/1998	Brancheau et al.	.....	D6/470
D427,210 S	*	6/2000	Tsukida	.....	D15/83
D432,550 S	*	10/2000	Jobst	.....	D15/83
D438,879 S	*	3/2001	Tombs	.....	D15/81
D440,432 S	*	4/2001	Topper et al.	.....	D6/471

D452,514 S	*	12/2001	Tombs	.....	D15/81
D477,335 S	*	7/2003	Upton et al.	.....	D15/79
D477,617 S	*	7/2003	Resch	.....	D15/83
D481,742 S	*	11/2003	DeBontridder	.....	D15/81
D483,045 S	*	12/2003	Resch	.....	D15/83
D496,053 S	*	9/2004	Wetzel	.....	D15/79

\* cited by examiner

*Primary Examiner*—Mitchell Siegel

*Assistant Examiner*—Shanda C. Hill

(74) *Attorney, Agent, or Firm*—Kirschstein, et al.

(57) **CLAIM**

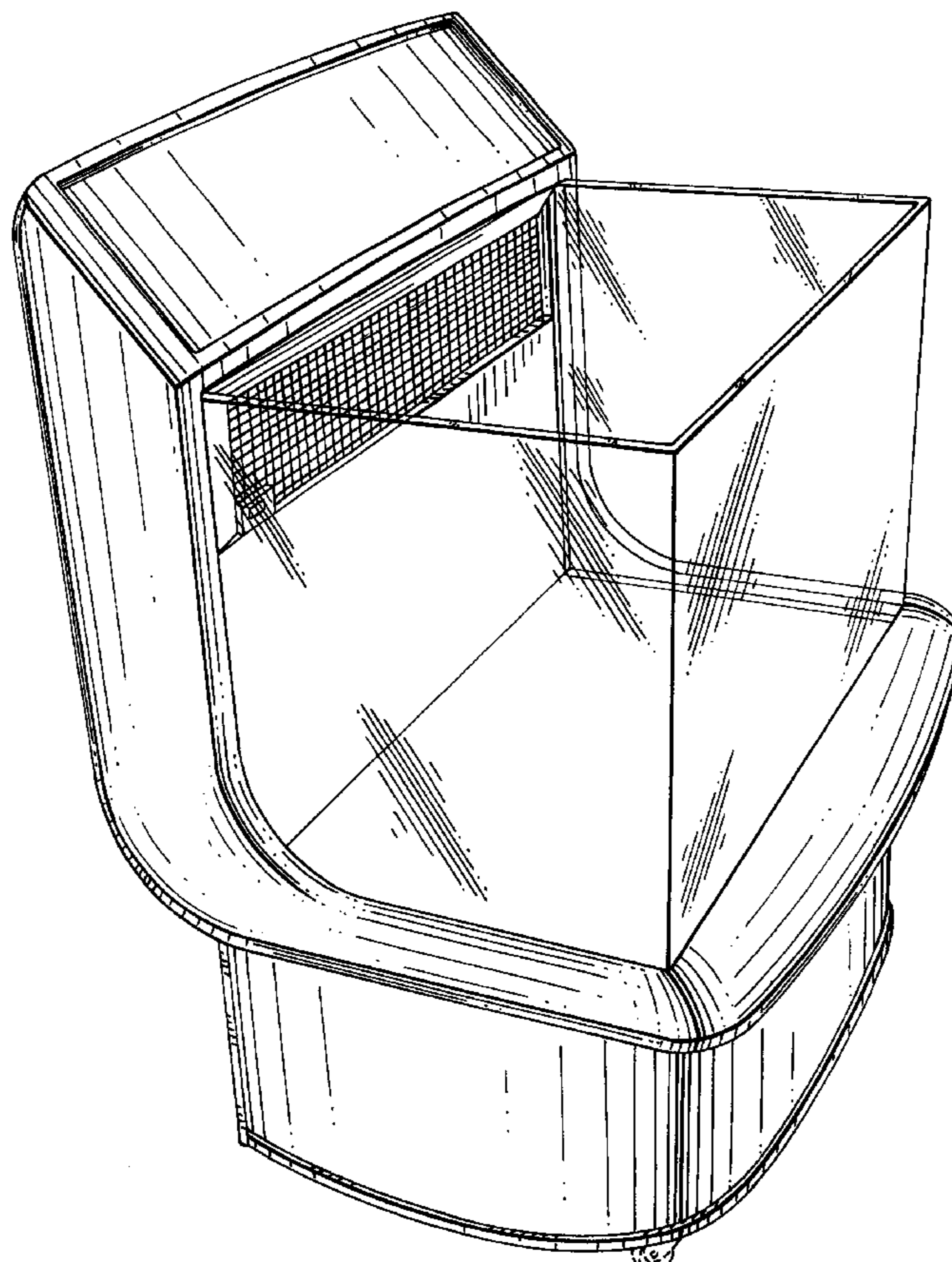
The ornamental design for a refrigerator, as shown and described.

**DESCRIPTION**

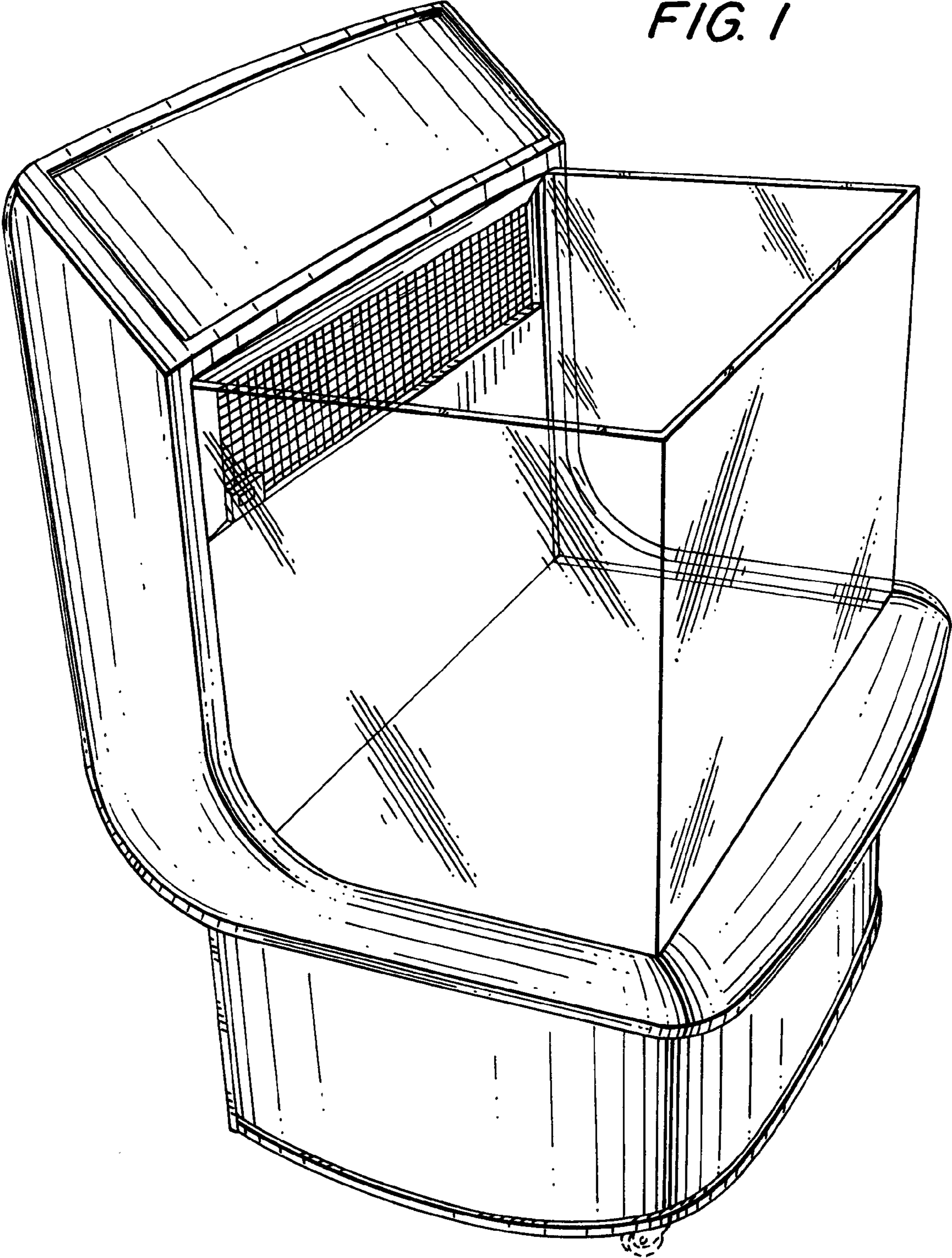
FIG. 1 is a top, front, left side perspective view of a refrigerator showing my new design; FIG. 2 is a top plan view thereof; FIG. 3 is a front elevational view thereof; FIG. 4 is a left side elevational view thereof; FIG. 5 is a right side elevational view thereof; FIG. 6 is a rear elevational view thereof; and, FIG. 7 is a bottom plan view thereof.

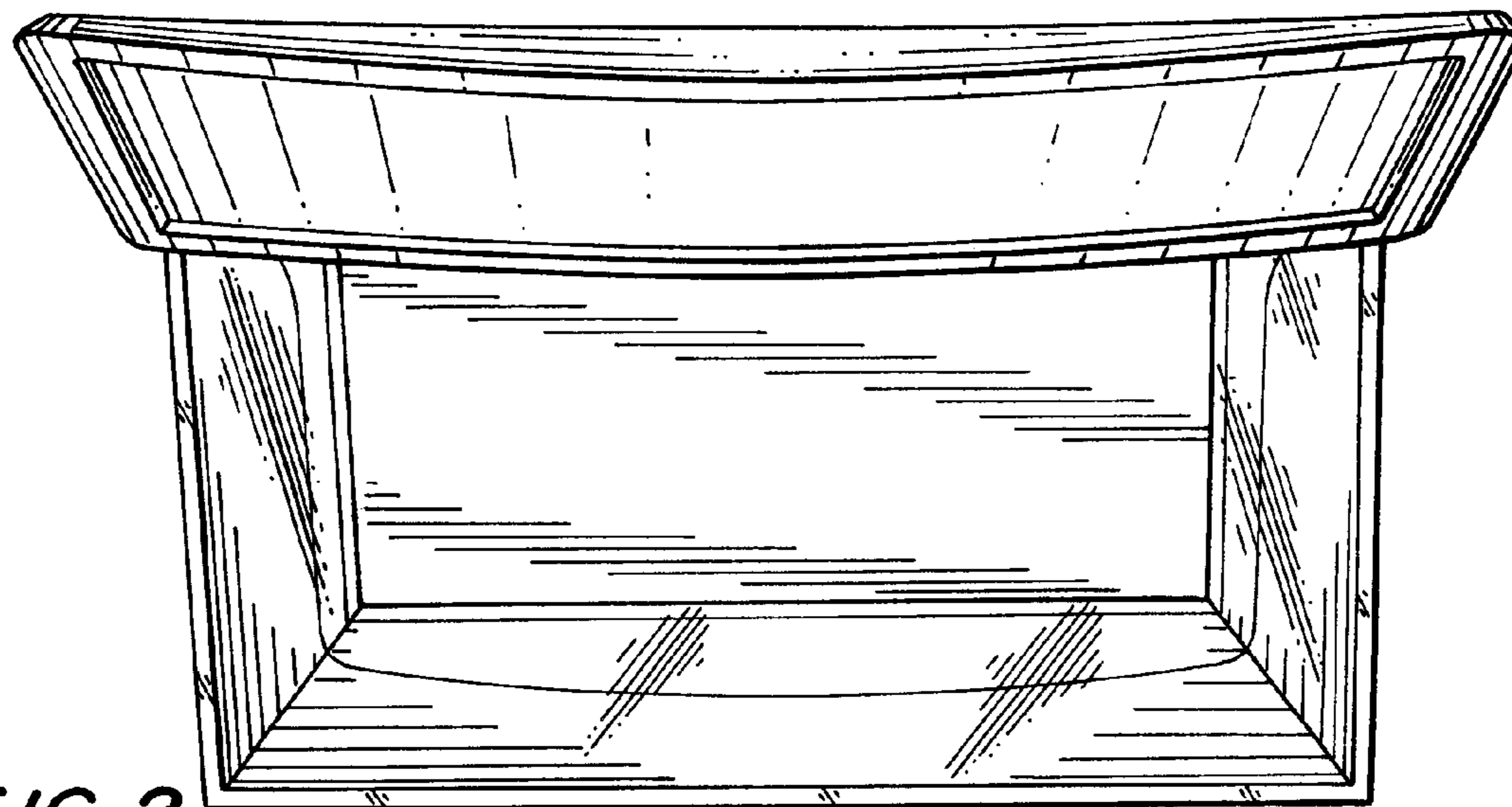
The broken lines shown in the drawing disclosure are for illustrative purposes only and form no part of the claimed design.

**1 Claim, 4 Drawing Sheets**

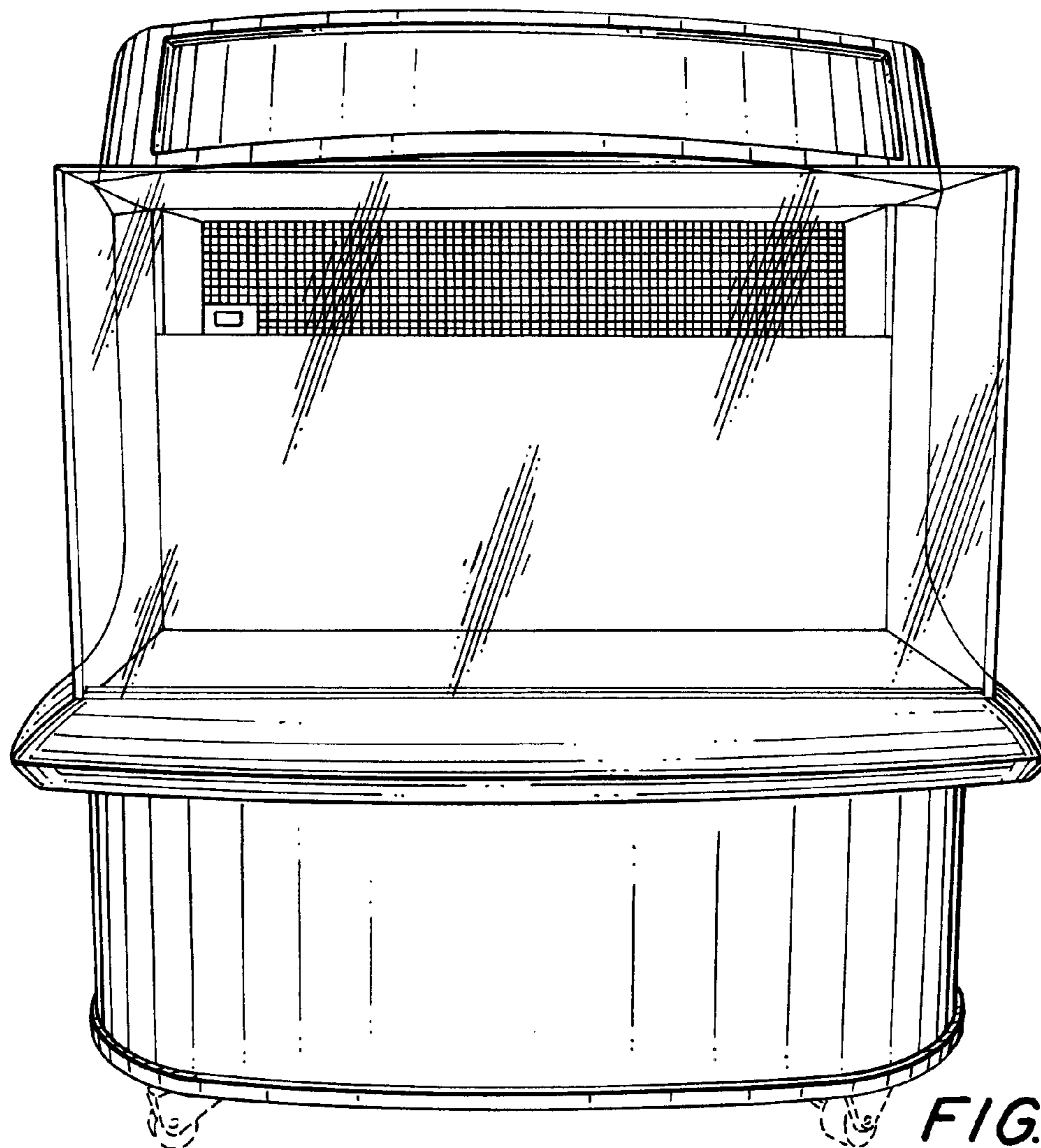


*FIG. 1*

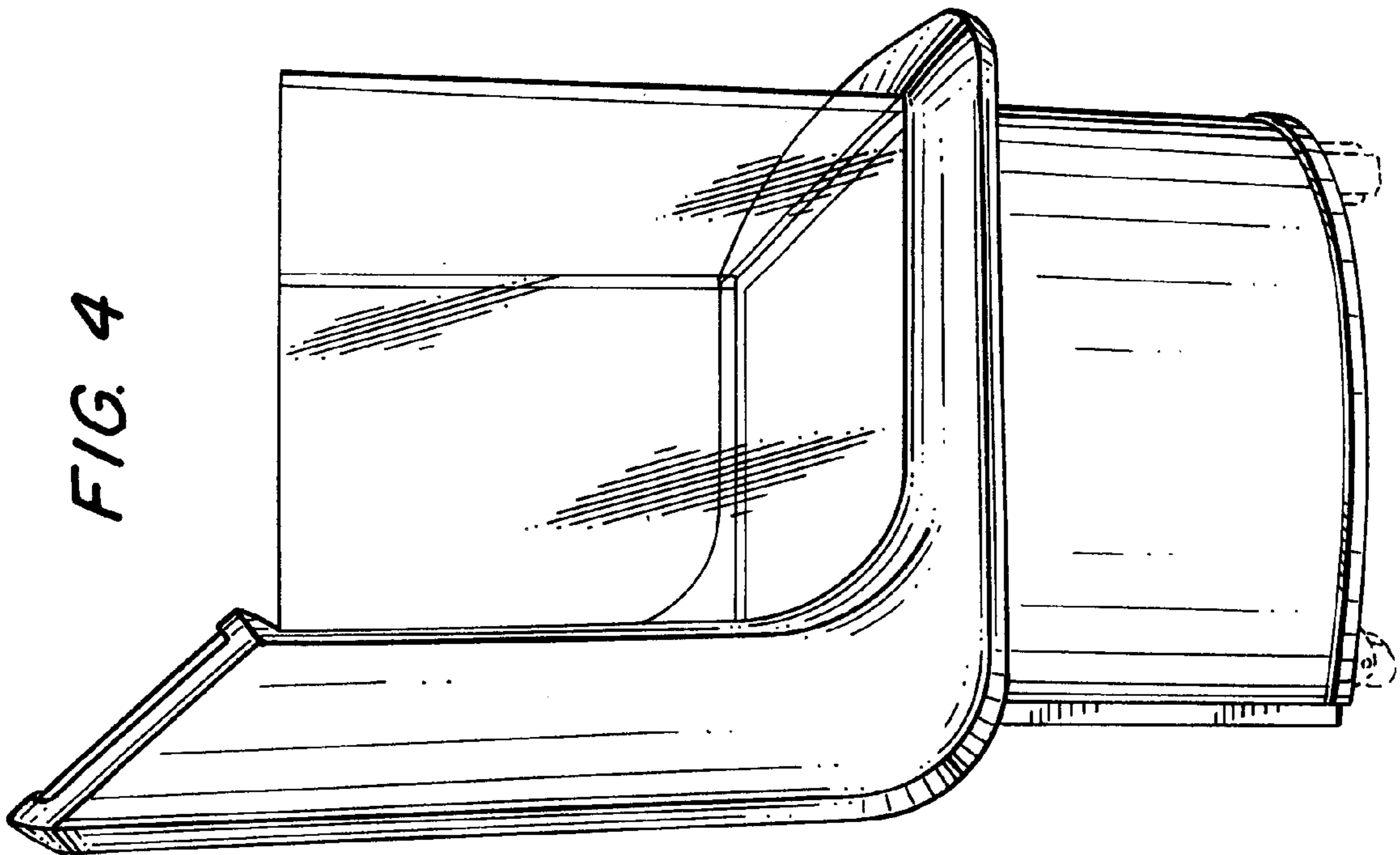
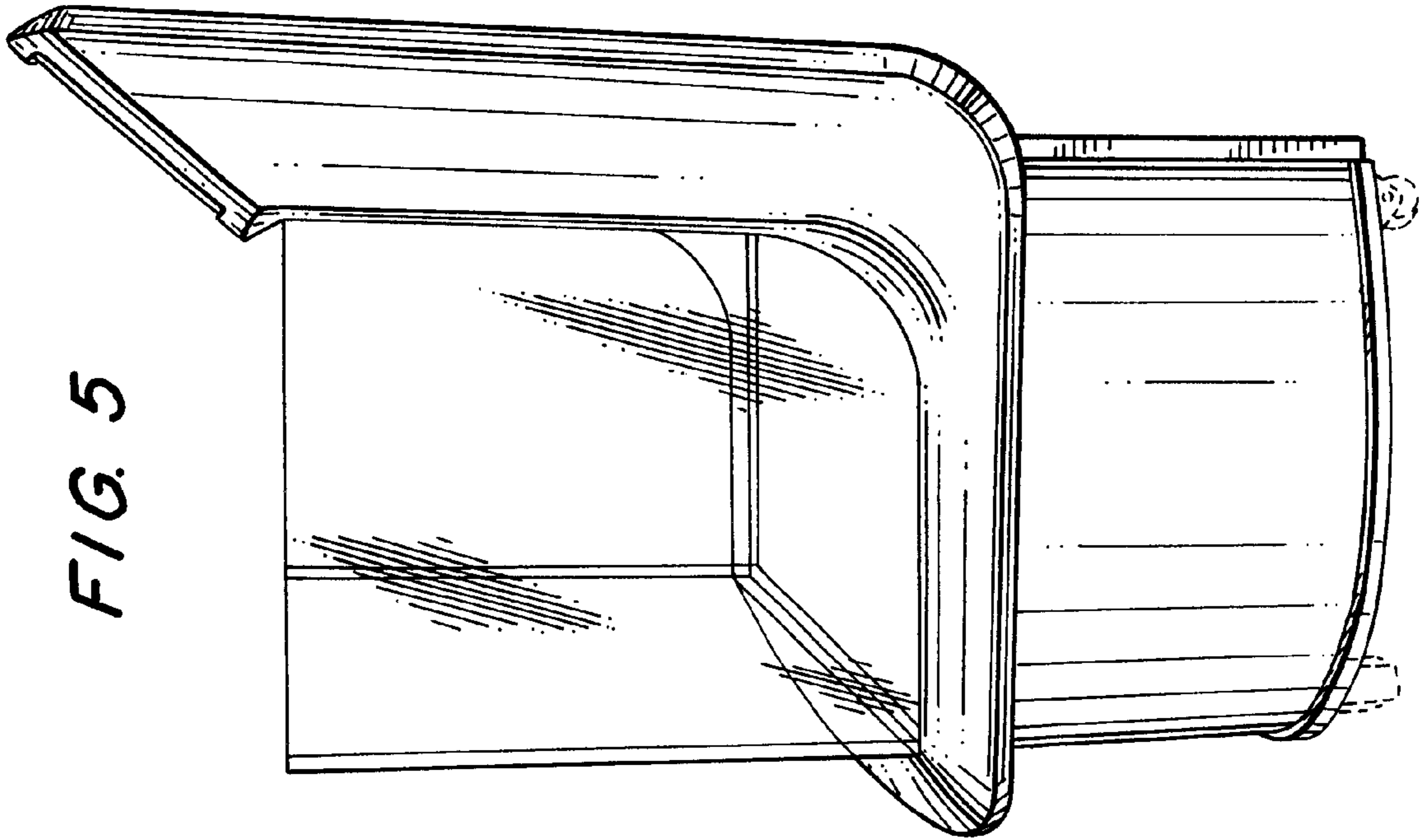




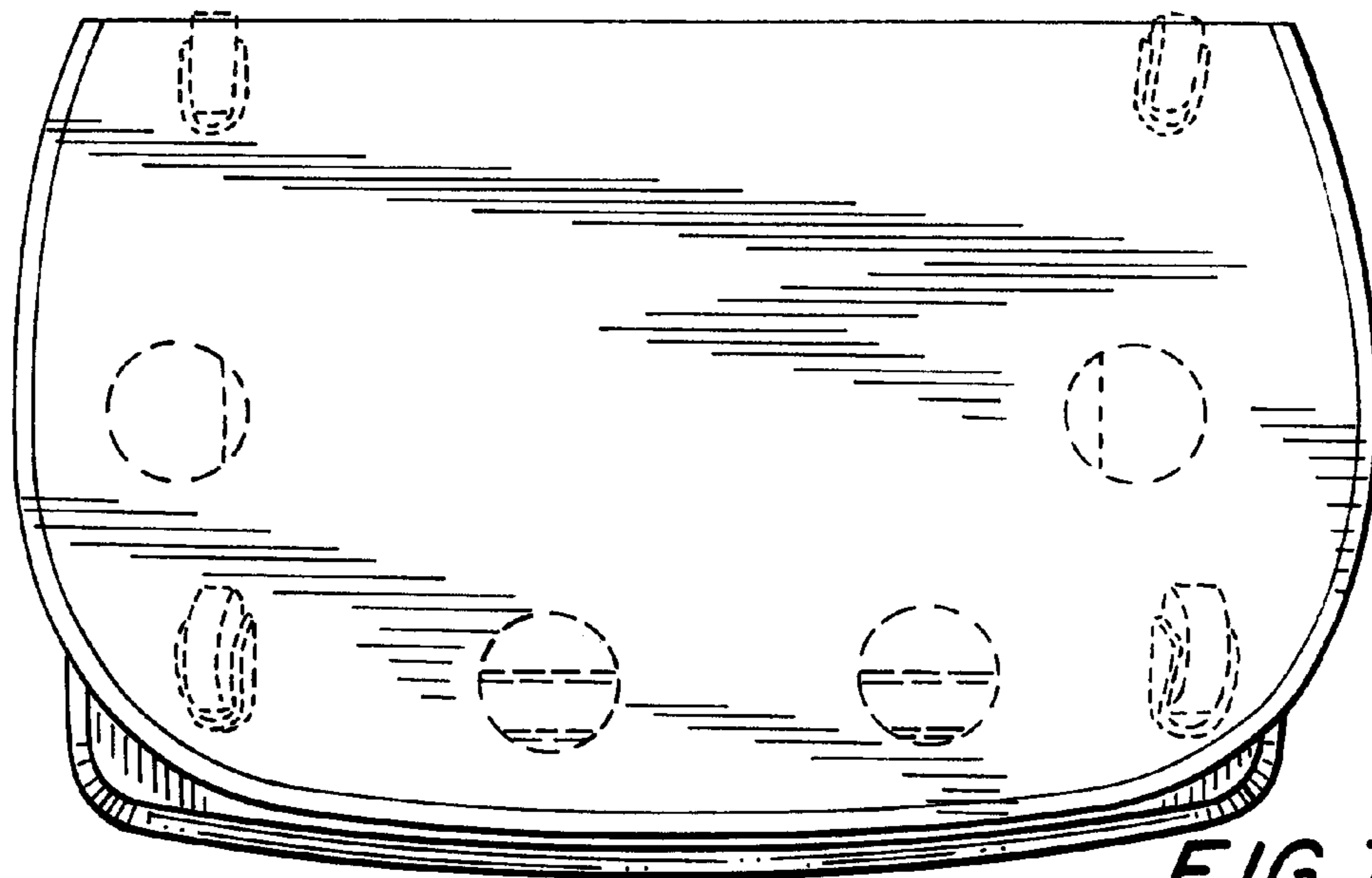
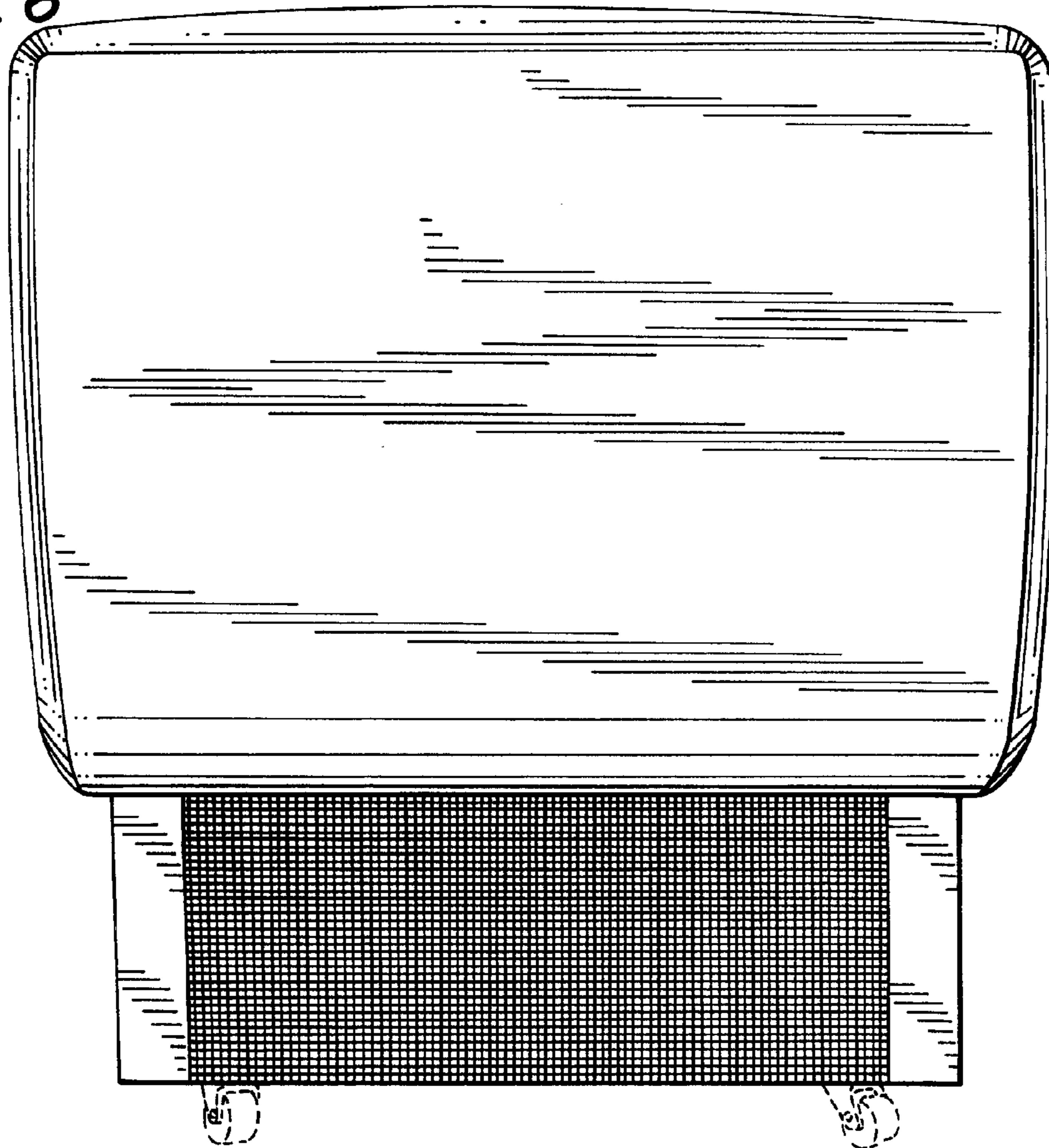
**FIG. 2**



**FIG. 3**



*FIG. 6*



*FIG. 7*