



US00D522534S

(12) **United States Design Patent**  
**Kawasaki**

(10) **Patent No.:** **US D522,534 S**  
(45) **Date of Patent:** **\*\* Jun. 6, 2006**

(54) **DIAPHRAGM PUMP**

**DESCRIPTION**

- (75) Inventor: **Nozomu Kawasaki**, Takatsuki (JP)
- (73) Assignee: **Techno Takatsuki Co., Ltd.**, Osaka-fu (JP)
- (\*\*) Term: **14 Years**
- (21) Appl. No.: **29/220,654**
- (22) Filed: **Dec. 31, 2004**
- (30) **Foreign Application Priority Data**  
Jul. 5, 2004 (JP) ..... 2004-020241
- (51) **LOC (8) Cl.** ..... **15-02**
- (52) **U.S. Cl.** ..... **D15/7**
- (58) **Field of Classification Search** ..... D15/7-9;  
D23/231, 232; 417/410.1, 359, 415-416,  
417/234, 321, 265, 405  
See application file for complete search history.

(56) **References Cited**

**U.S. PATENT DOCUMENTS**

D280,993 S	*	10/1985	Mariol	.....	D15/9
D295,181 S	*	4/1988	Vitaloni	.....	D15/9
D316,098 S	*	4/1991	Kille	.....	D15/7
D331,321 S	*	12/1992	Gebaure et al.	.....	D4/115
D340,458 S	*	10/1993	Wang	.....	D15/7
D340,726 S	*	10/1993	Wang	.....	D15/7
D374,075 S	*	9/1996	Lee	.....	D24/111

\* cited by examiner

*Primary Examiner*—Ralf Seifert

(57) **CLAIM**

The ornamental design for a diaphragm pump, as shown and described.

FIG. 1 is a perspective view of my new design of diaphragm pump;  
 FIG. 2 is a front view thereof;  
 FIG. 3 is a rear view thereof;  
 FIG. 4 is a plane view thereof;  
 FIG. 5 is a bottom view thereof;  
 FIG. 6 is a right side view thereof;  
 FIG. 7 is a left side view thereof;  
 FIG. 8 is a perspective view with outer casing removed thereof;  
 FIG. 9 is a front view with outer casing removed thereof;  
 FIG. 10 is a rear view with outer casing removed thereof;  
 FIG. 11 is a plane view with outer casing removed thereof;  
 FIG. 12 is a bottom view with outer casing removed thereof;  
 FIG. 13 is a right side view with outer casing removed thereof;  
 FIG. 14 is a left view with outer casing removed thereof;  
 FIG. 15 is a bottom view of outer casing removed thereof;  
 FIG. 16 is a front view of dust collecting apparatus thereof;  
 FIG. 17 is a bottom view of dust collecting apparatus thereof;  
 FIG. 18 is a right side view with dust collecting apparatus removed thereof; and,  
 FIG. 19 is a cross sectional view taken along the lines 19—19 of FIG. 6.

It being understood that the break lines in FIGS. 2-5 and 9-12 indicate the continuation of the power cord uniformly along a length.

It being understood that the broken lines are for illustrative purposes only and form no part of the claimed design.

**1 Claim, 19 Drawing Sheets**

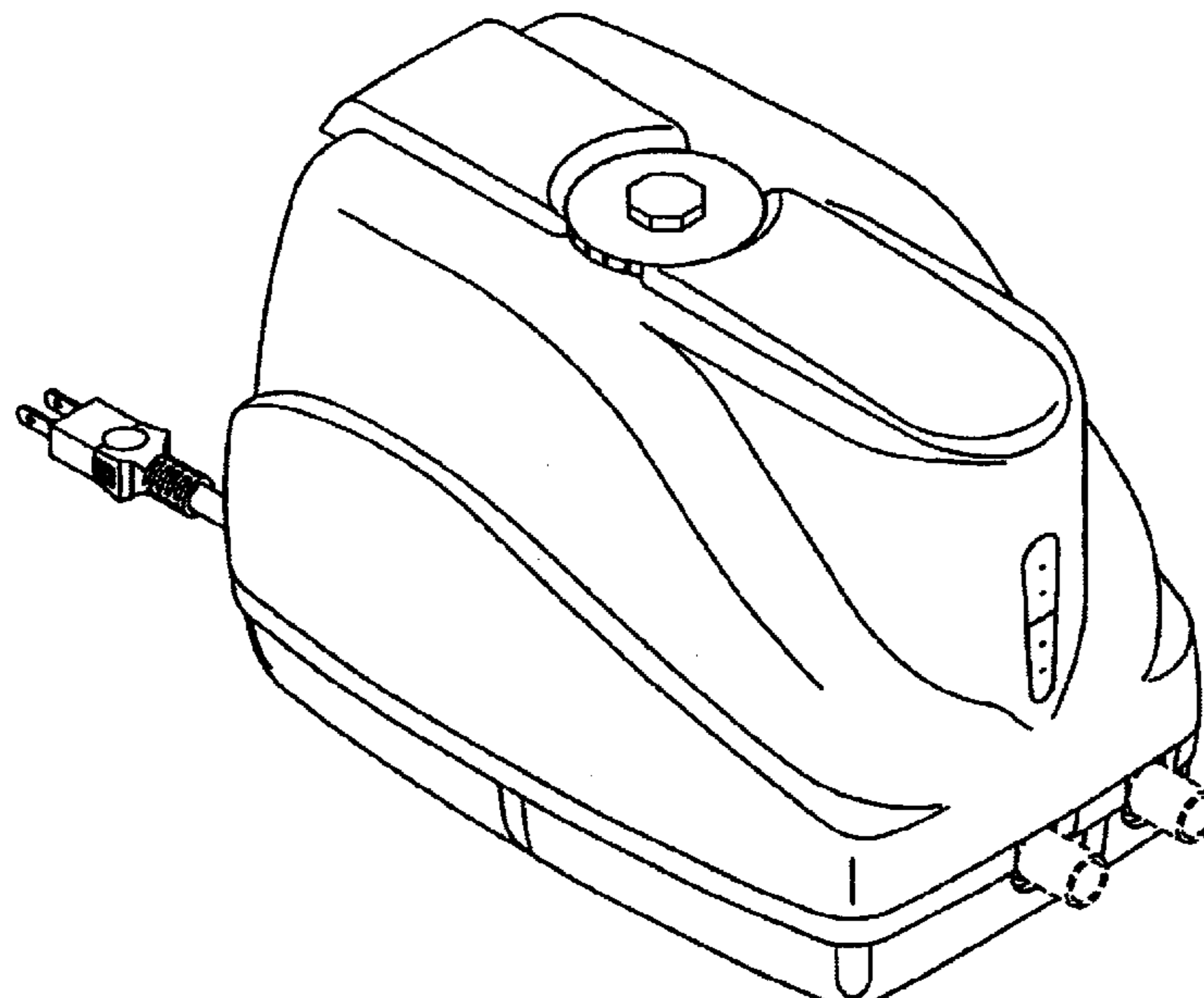


FIG. 1

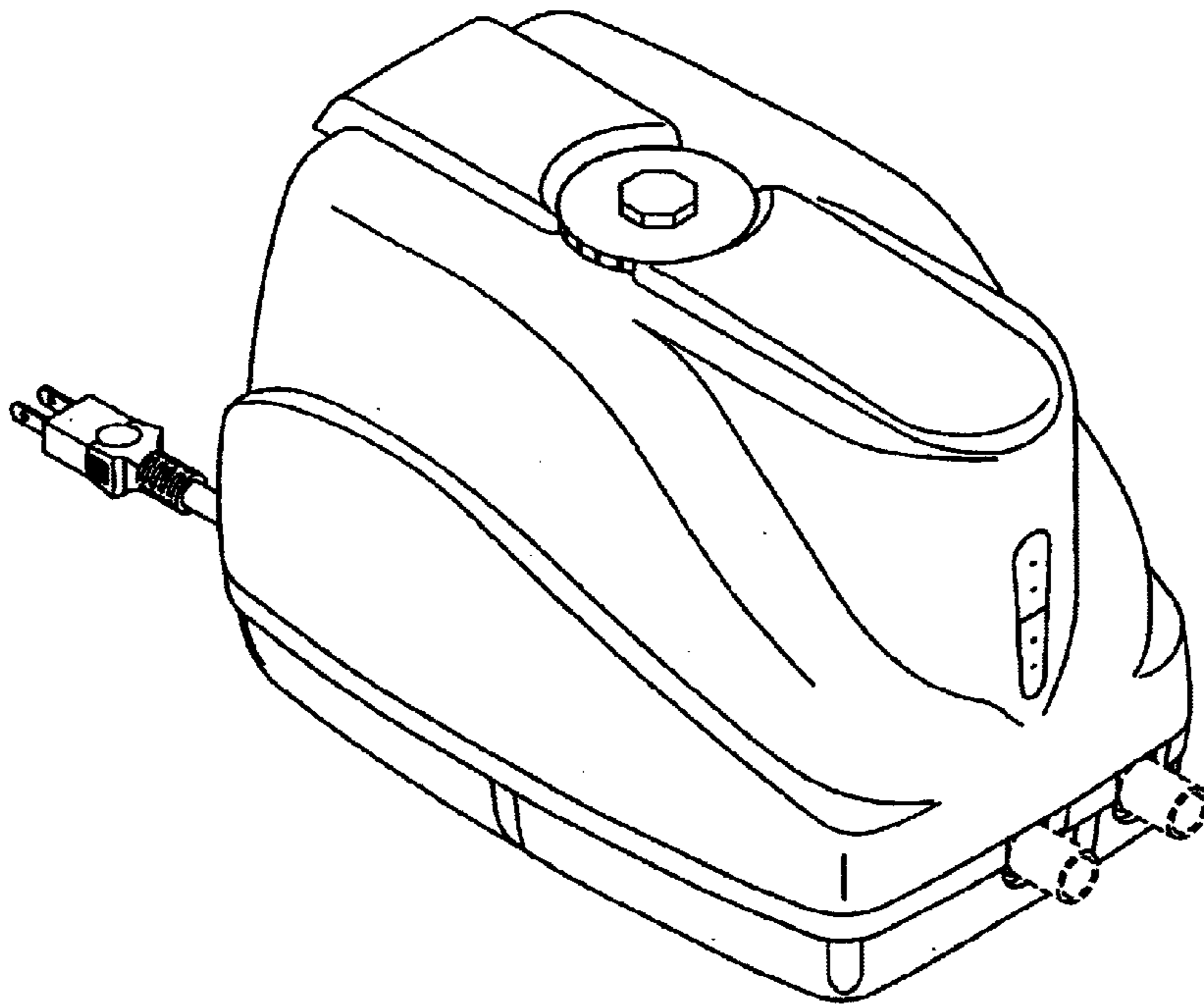


FIG. 2

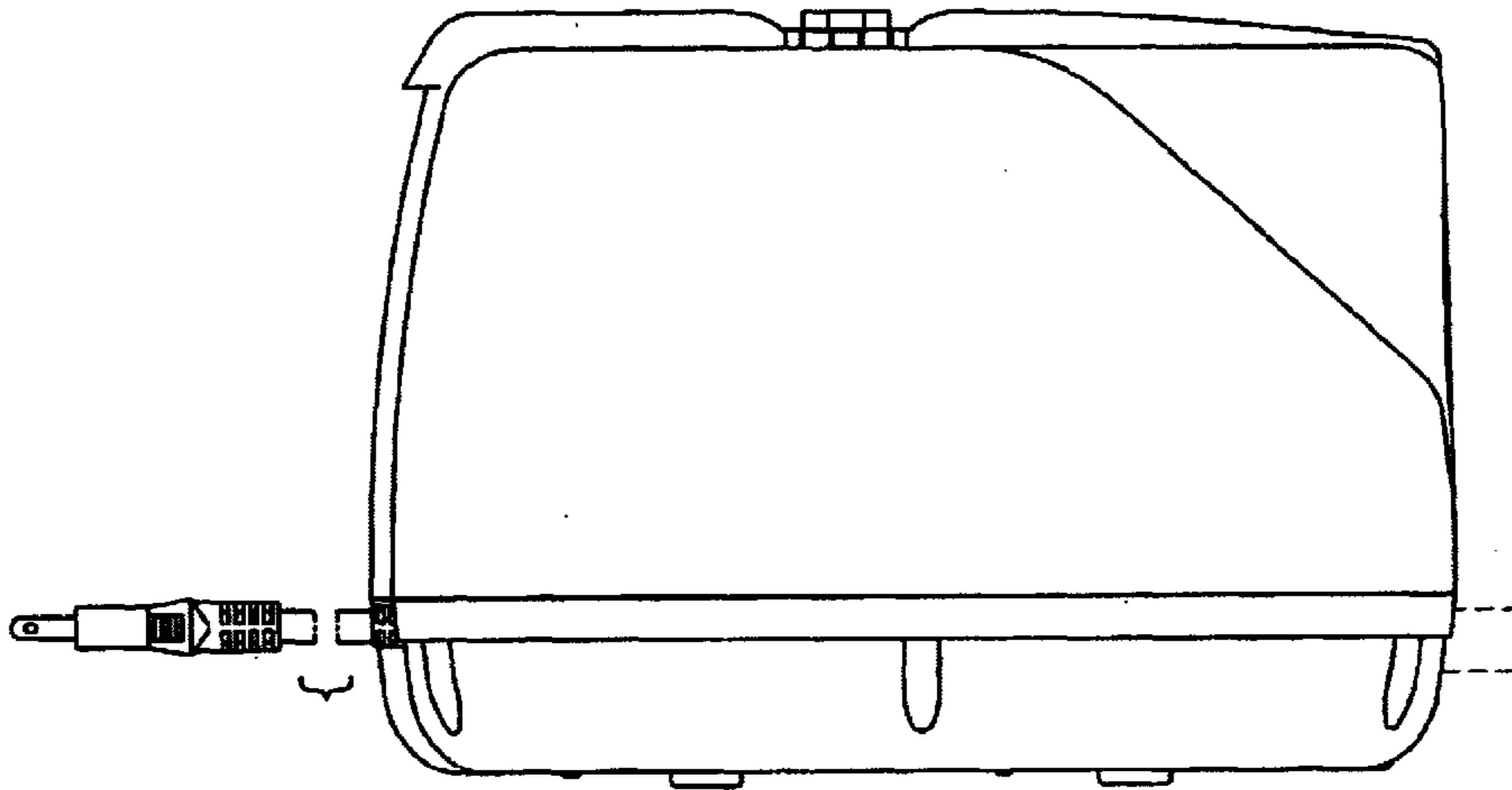


FIG. 3

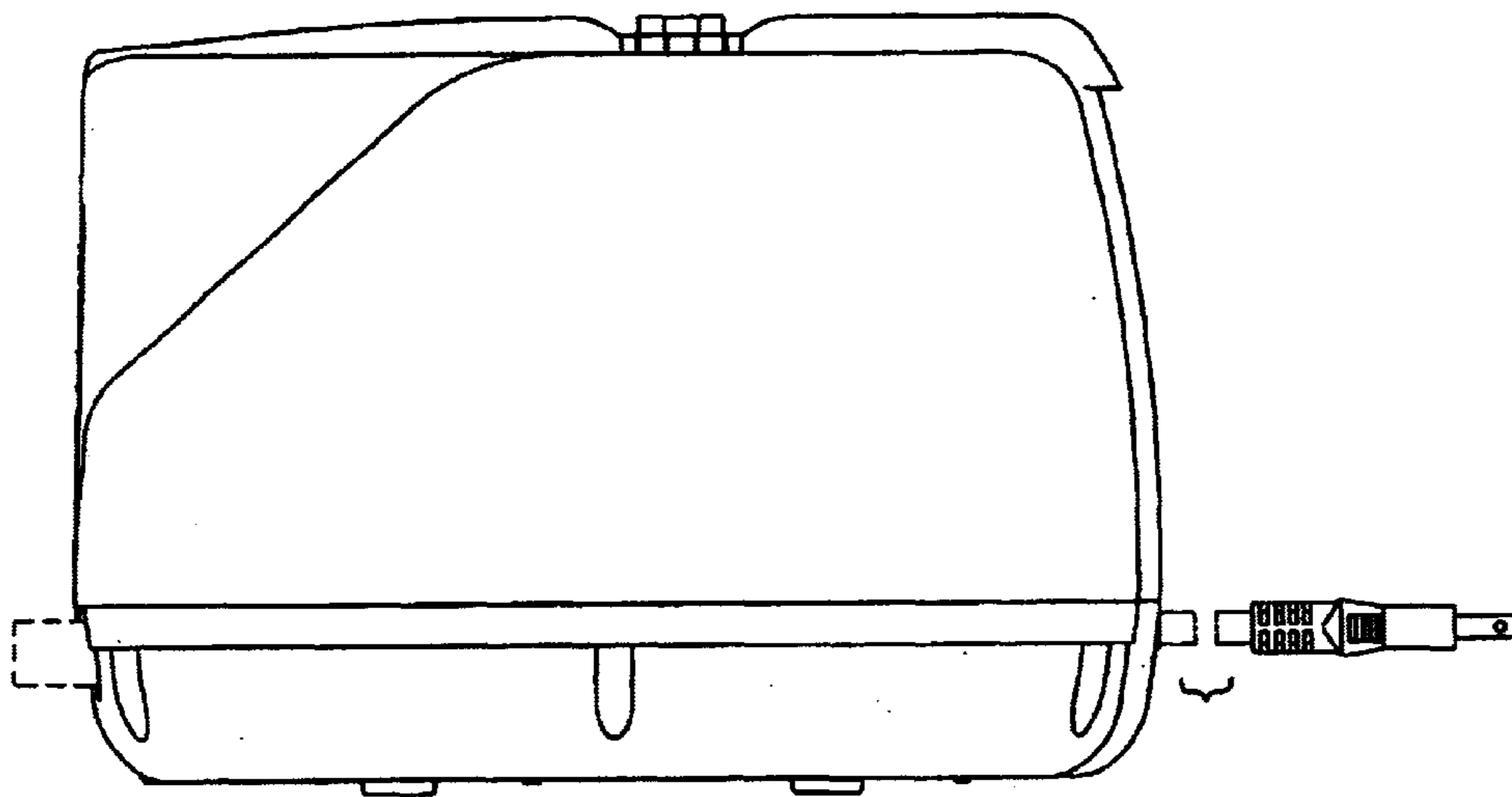


FIG. 4

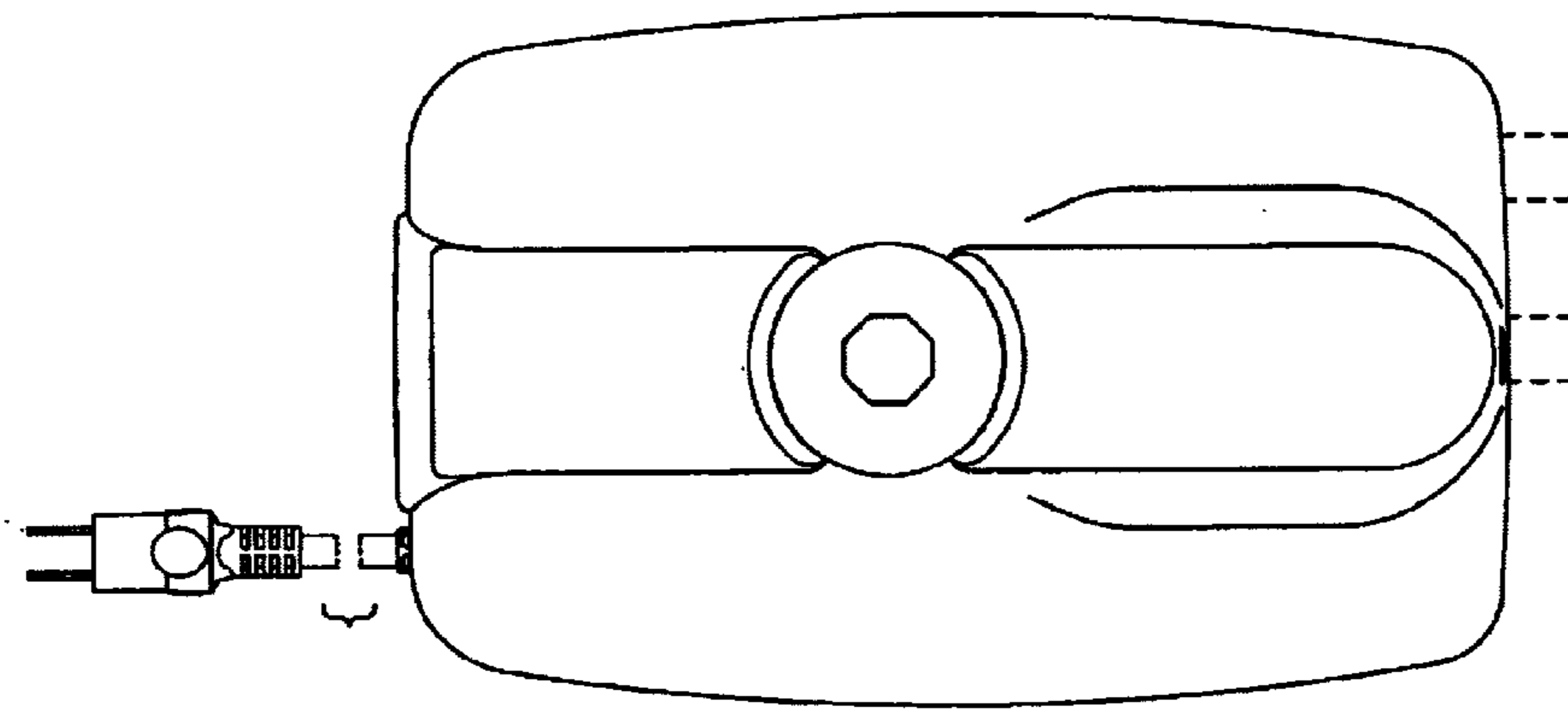


FIG. 5

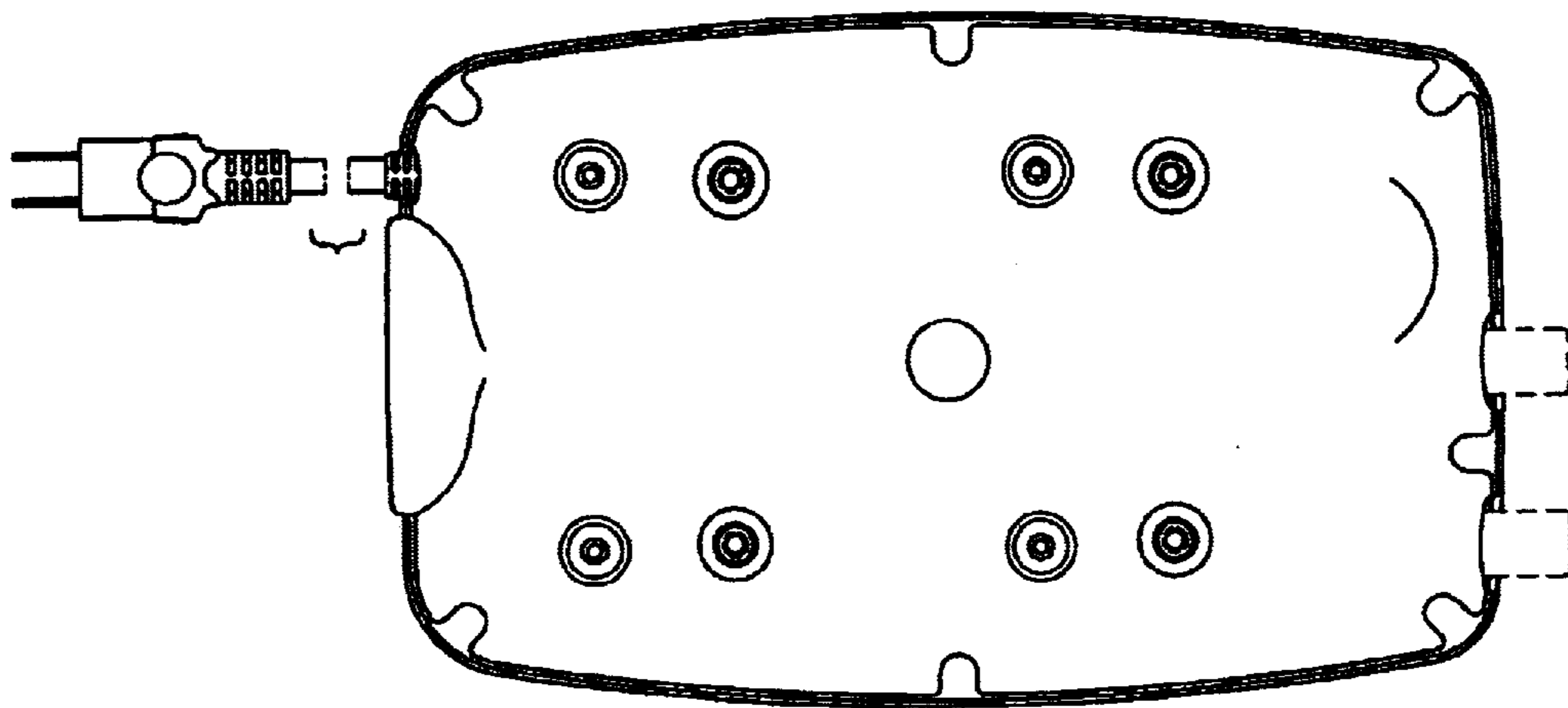


FIG. 6

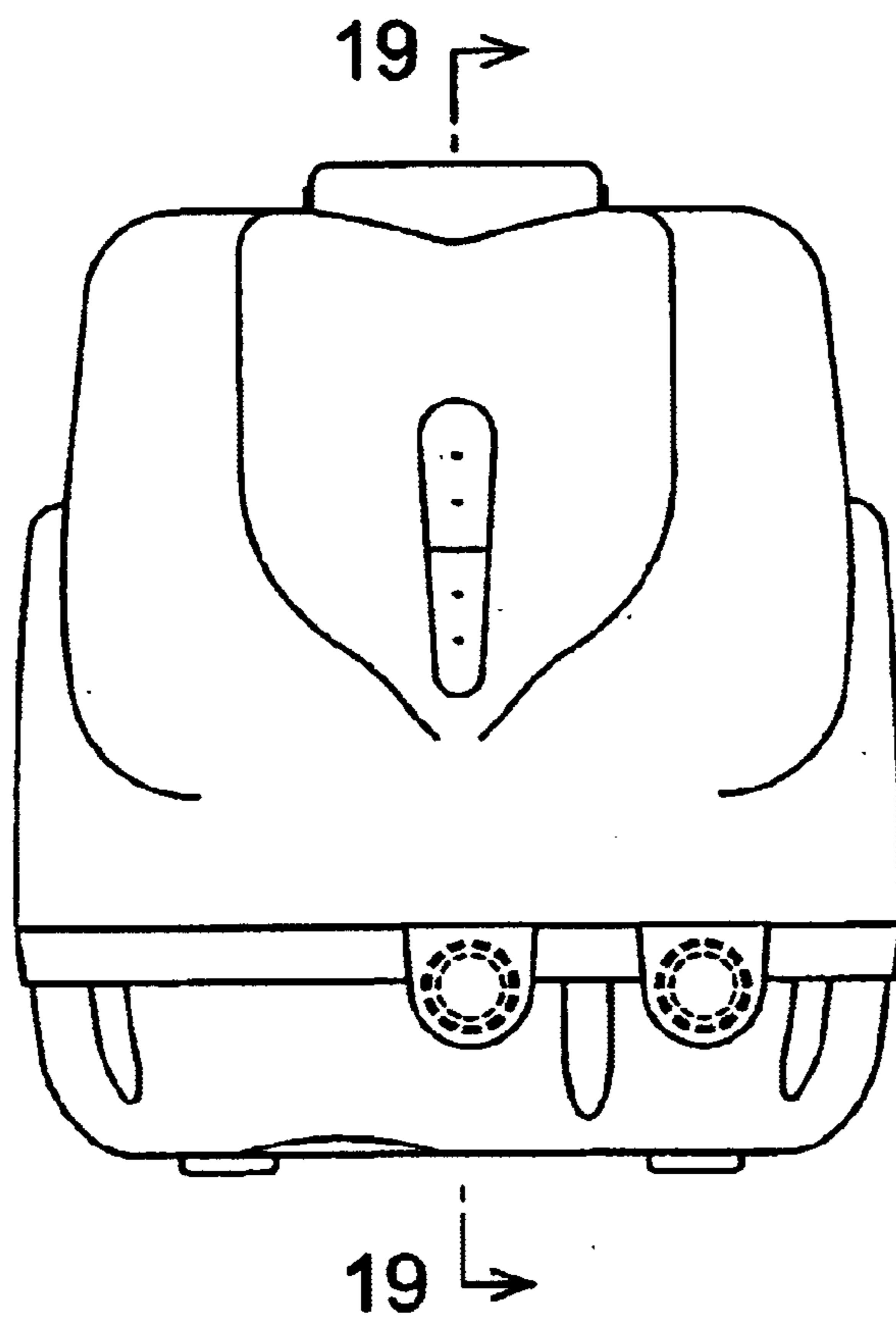


FIG. 7

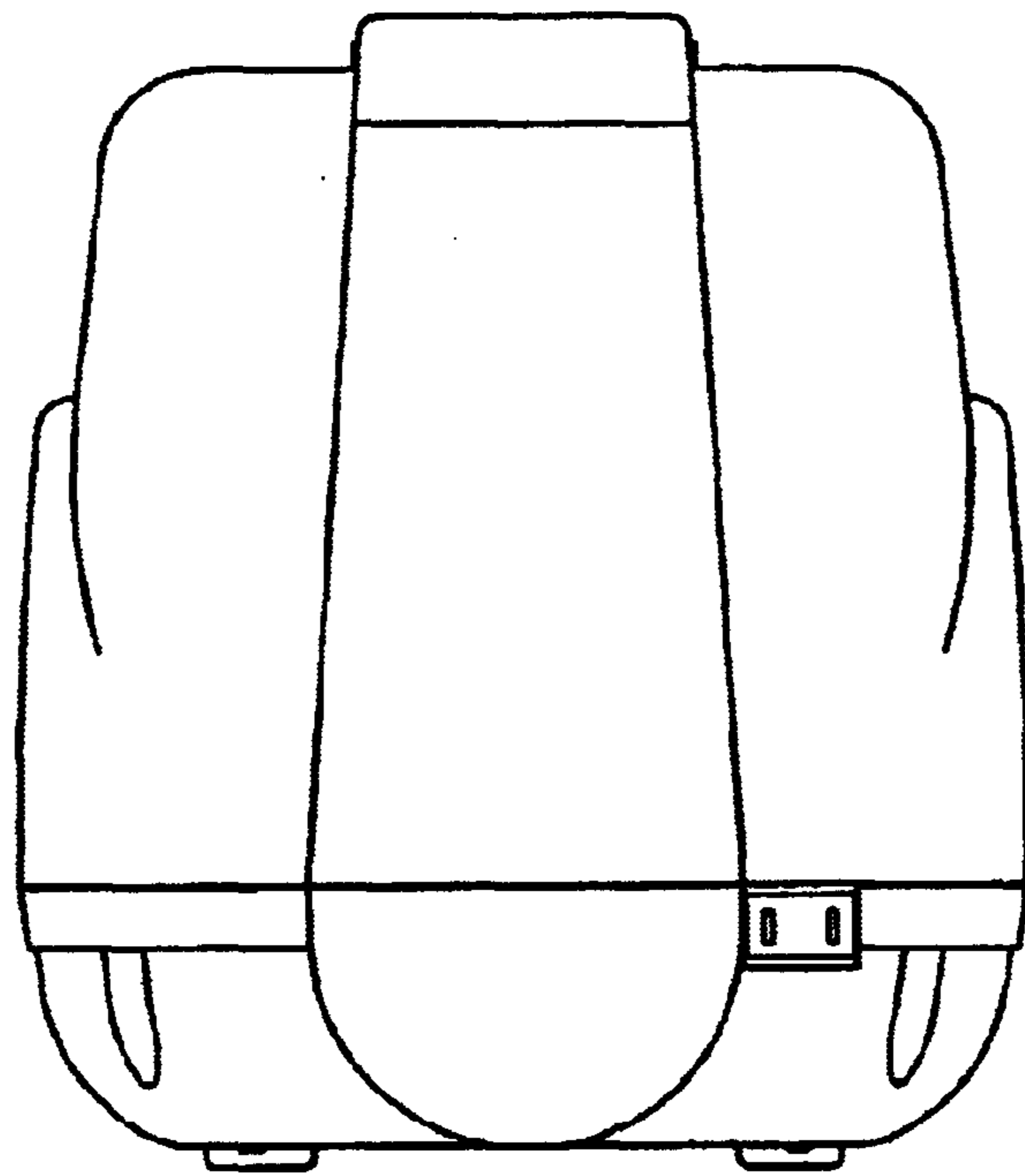




FIG. 8

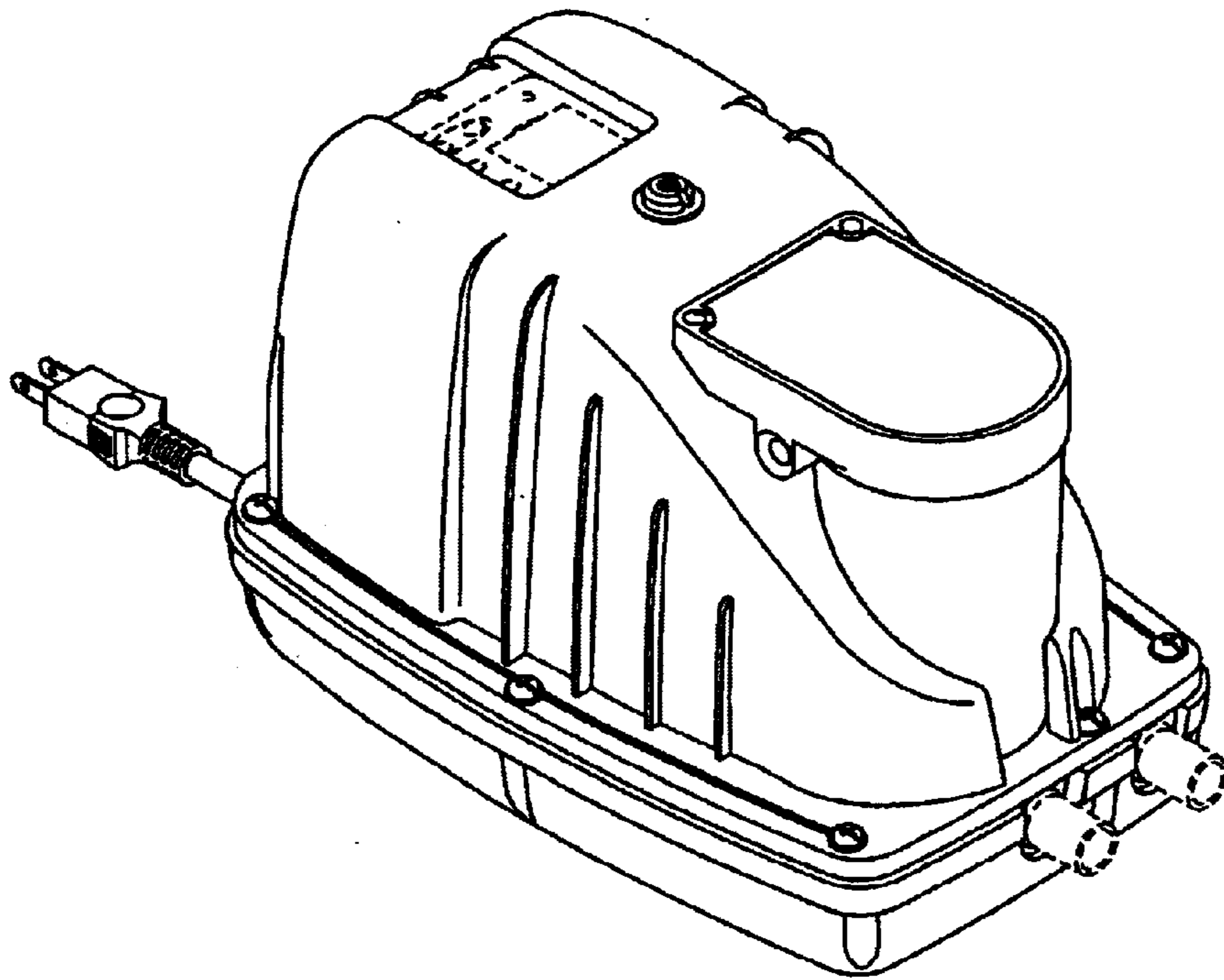


FIG. 9

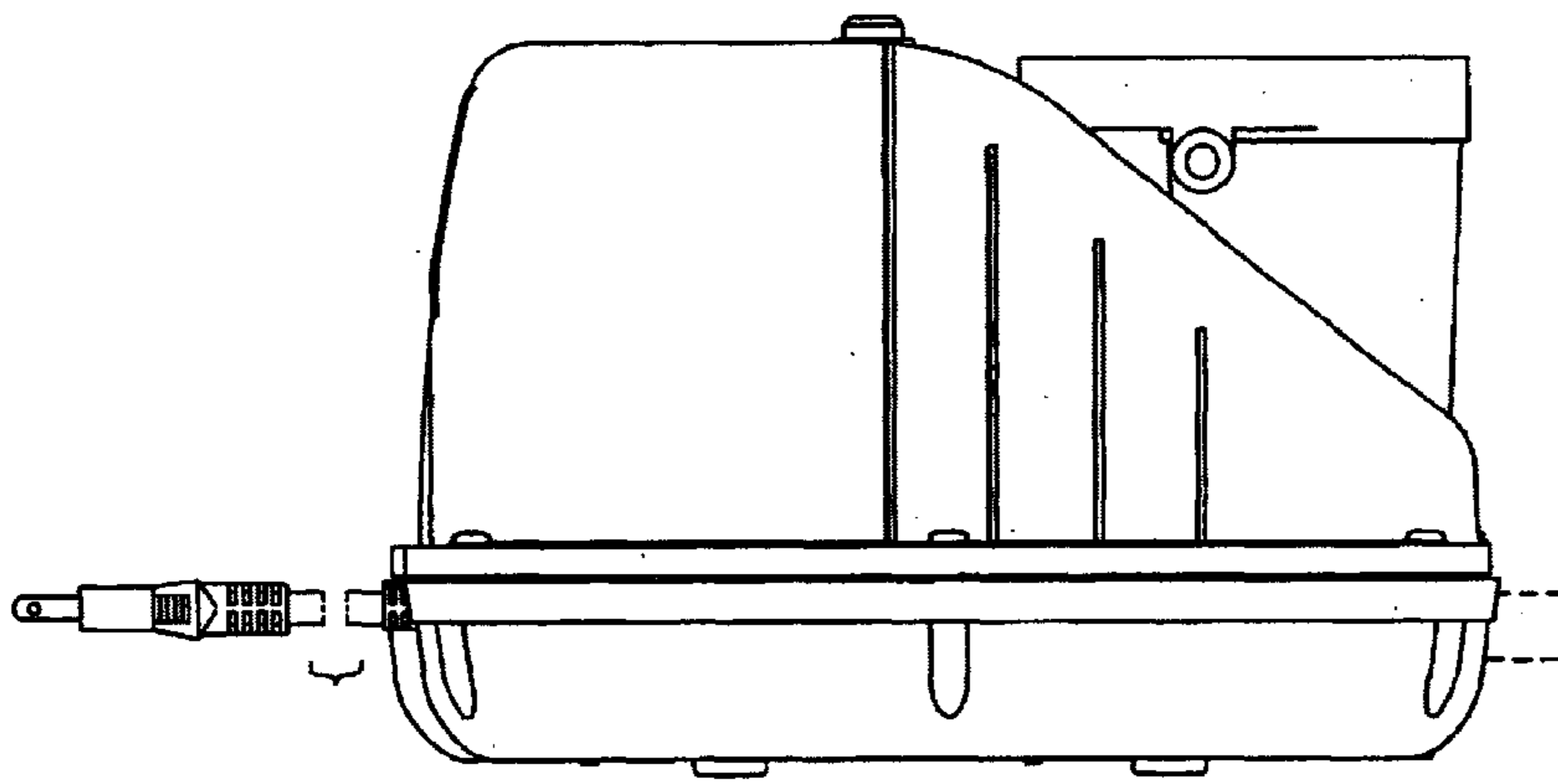


FIG. 10

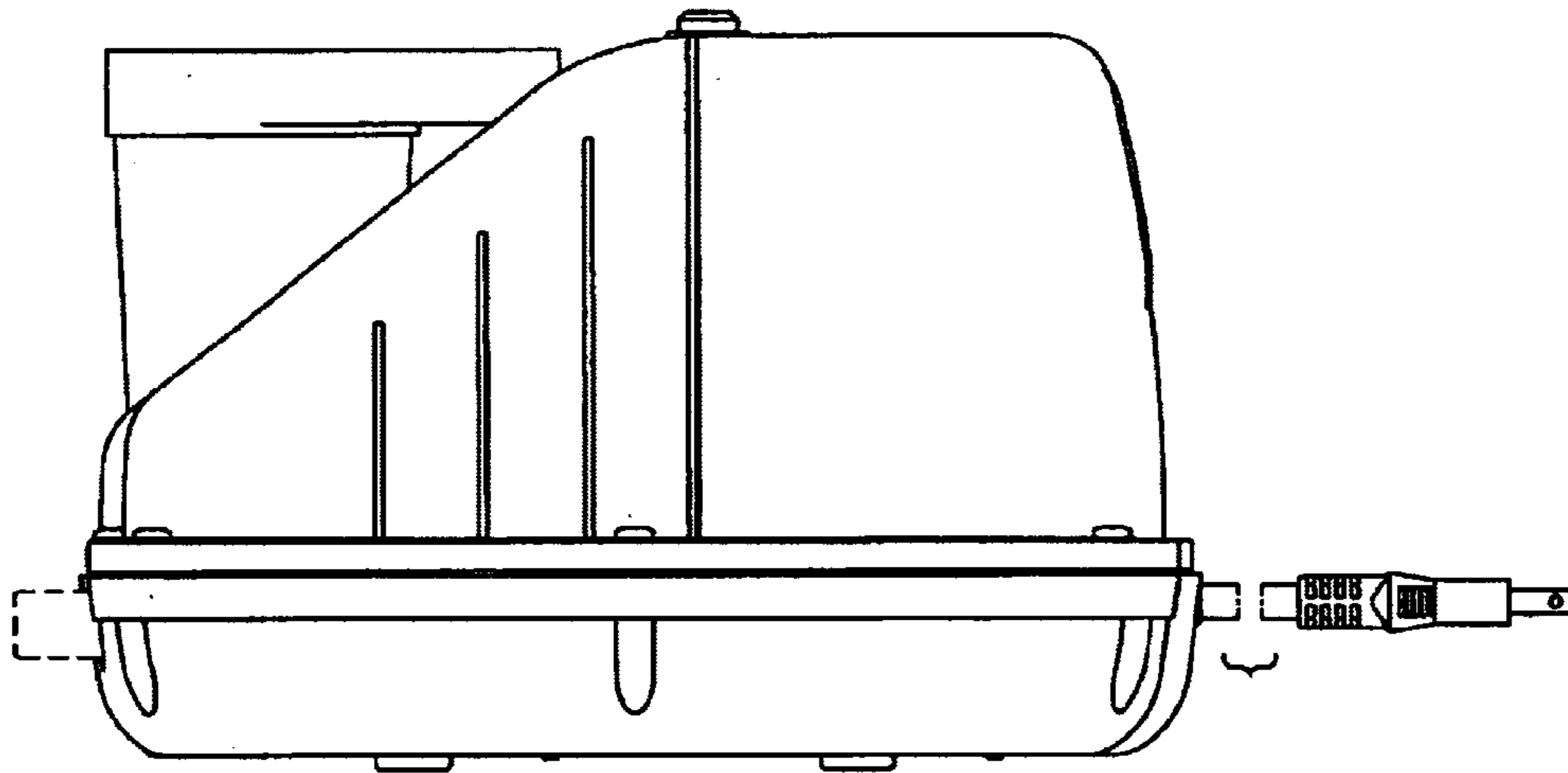


FIG. 11

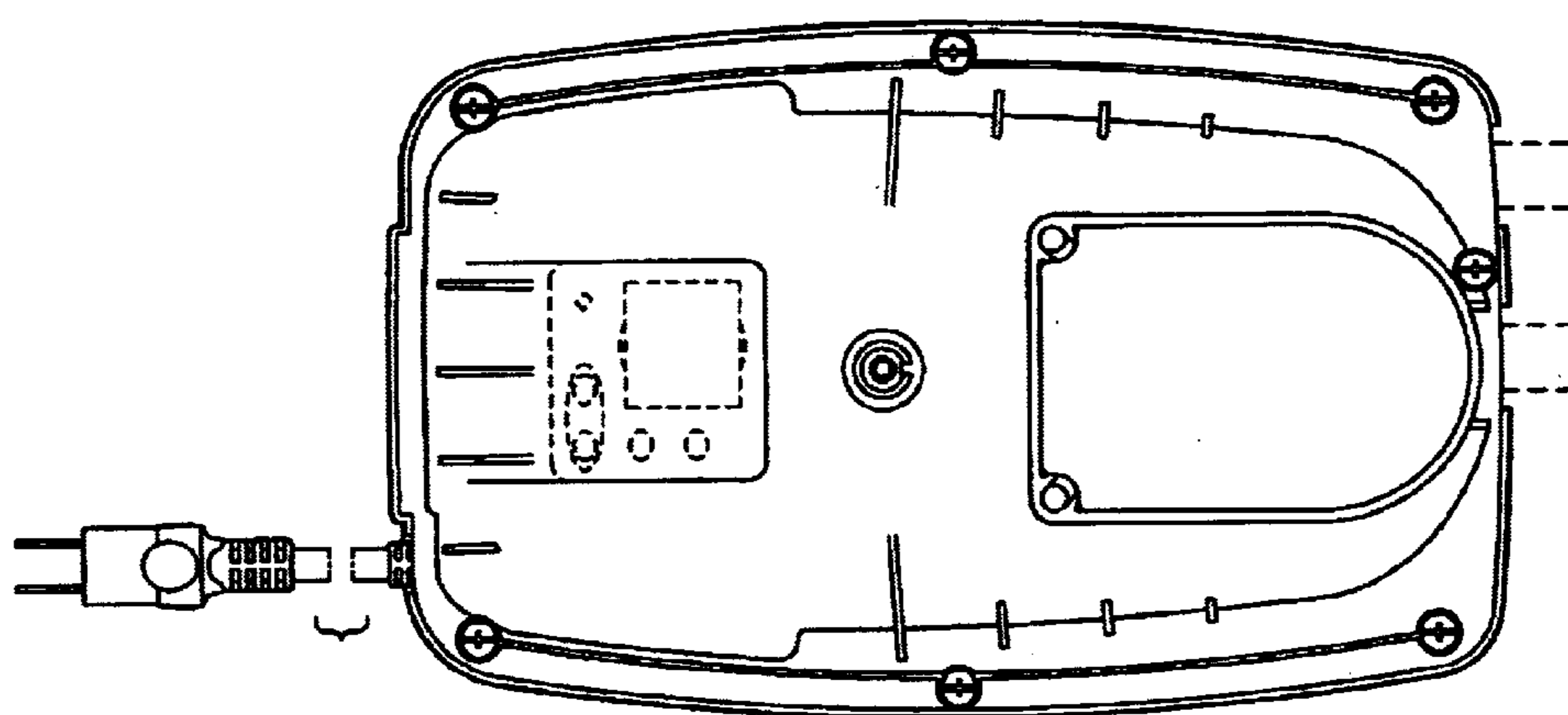


FIG. 12

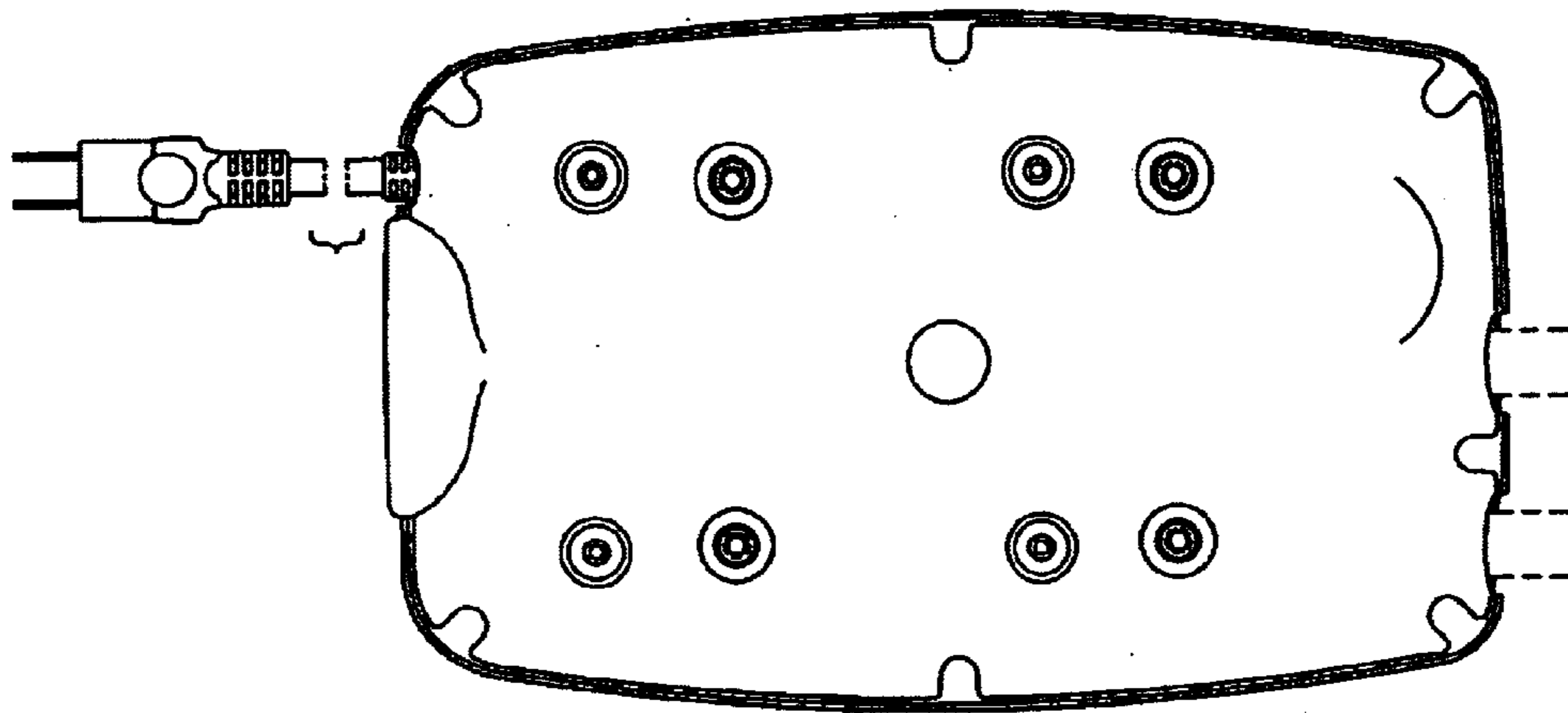


FIG. 13

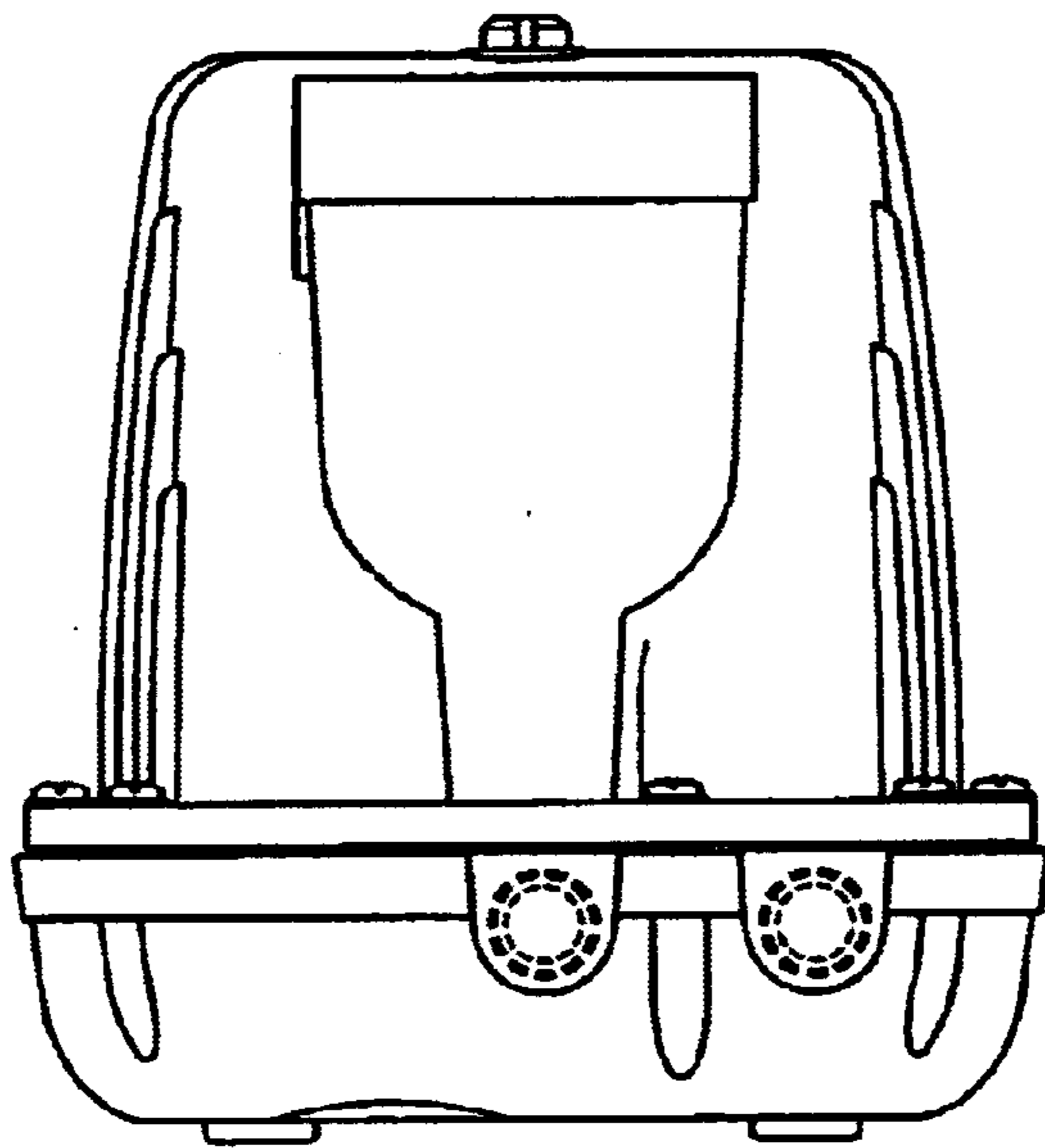


FIG. 14

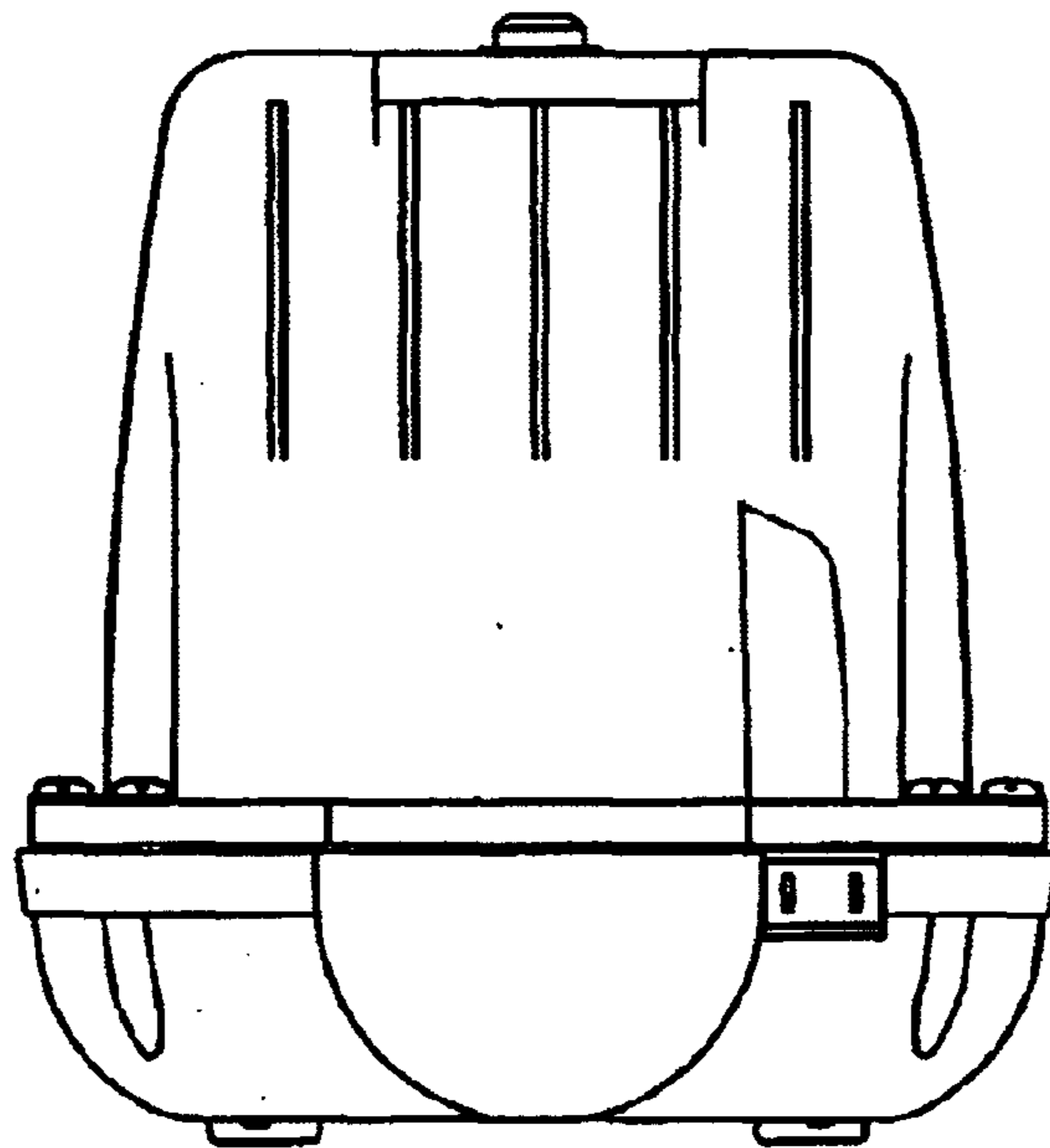


FIG. 15

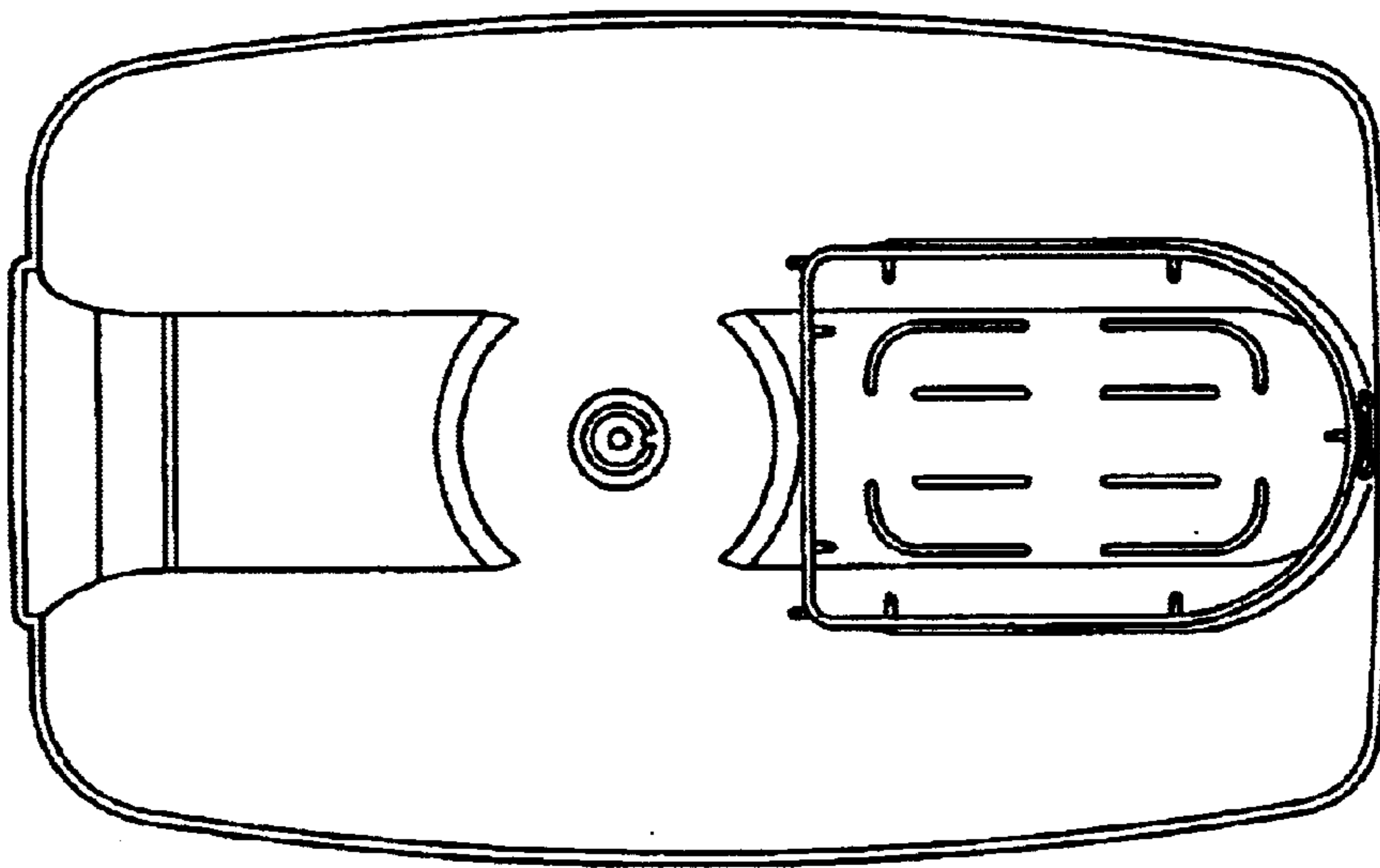




FIG. 16

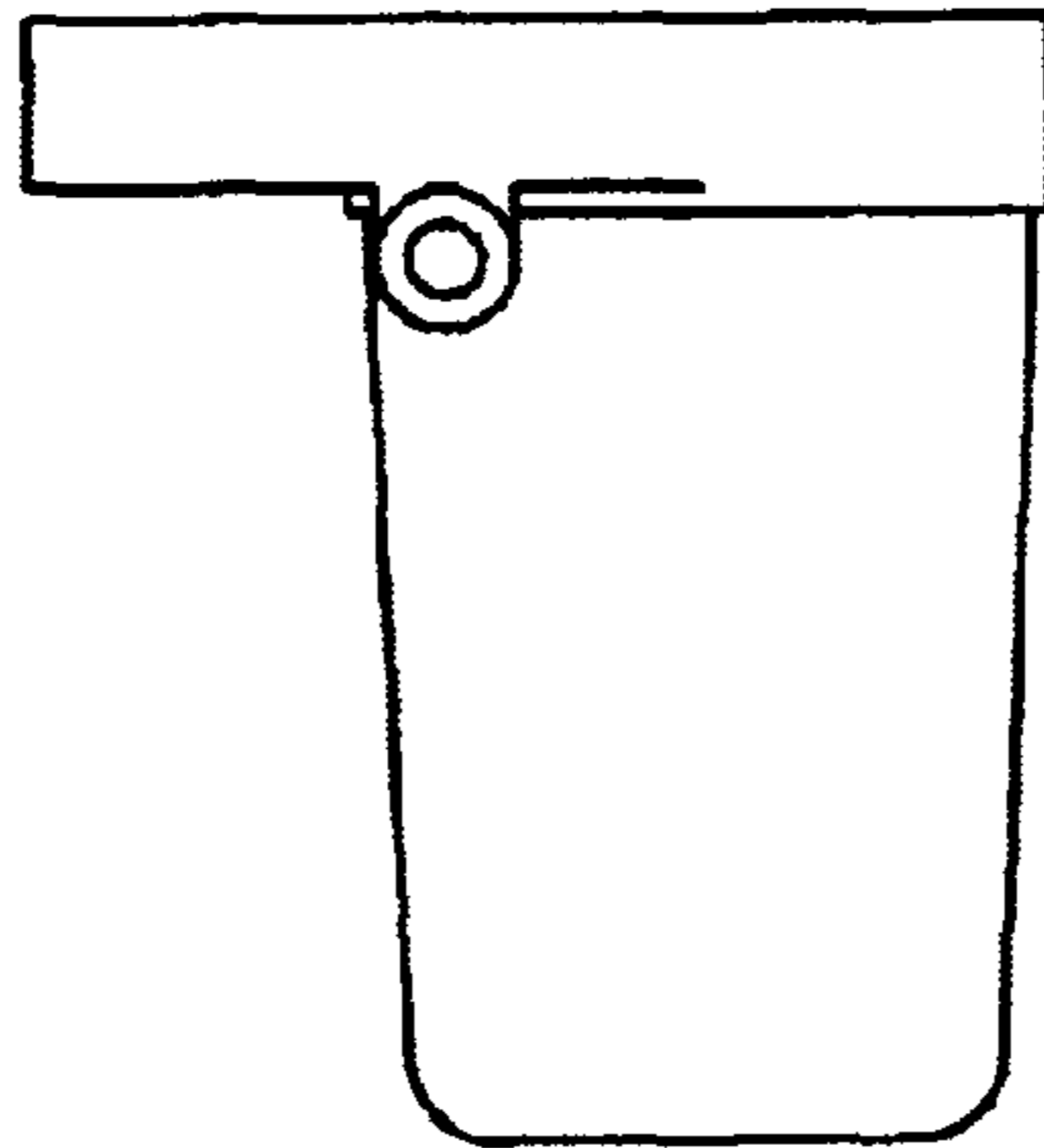


FIG. 17

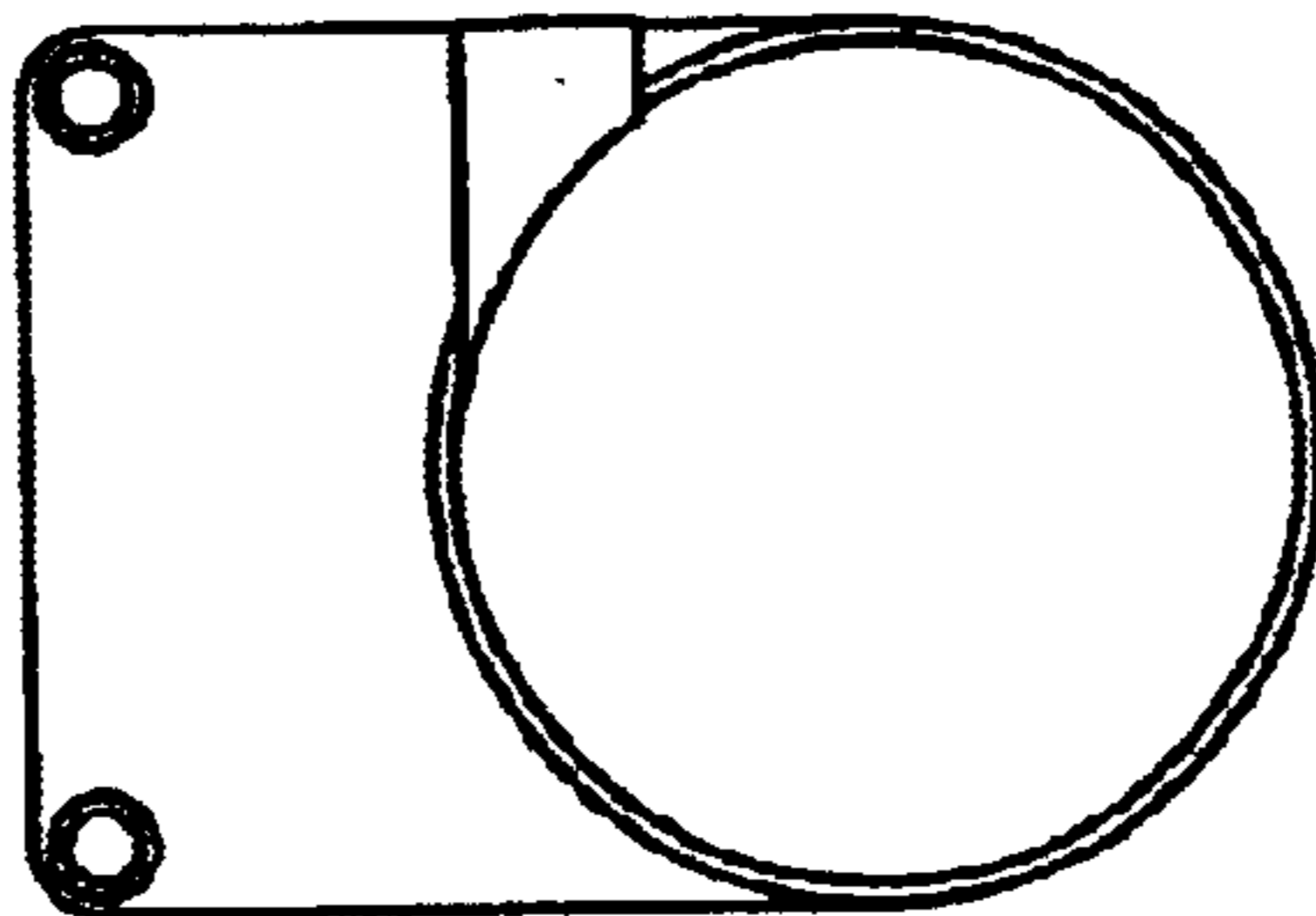


FIG. 18

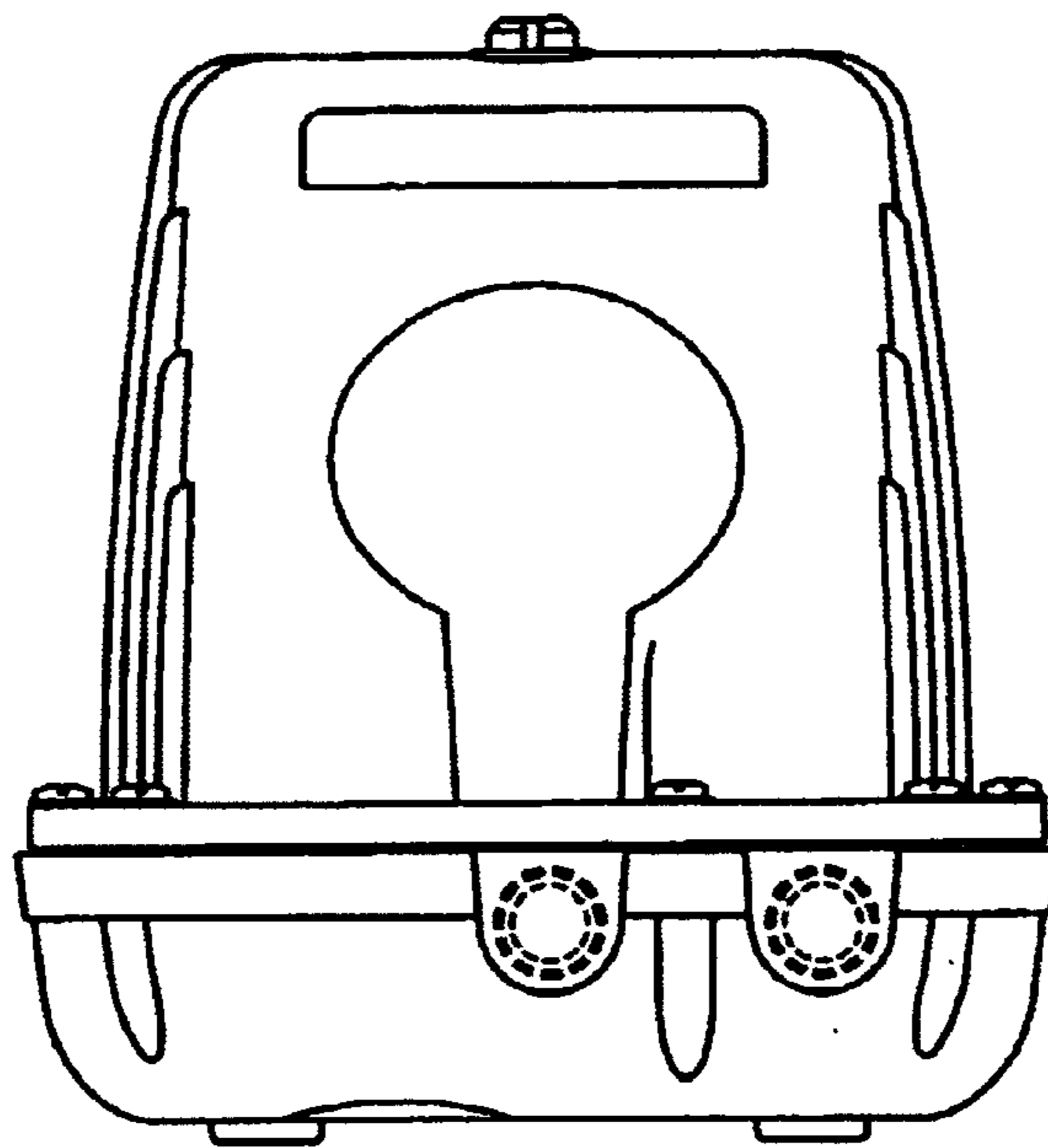


FIG. 19

