

US00D522531S

(12) **United States Design Patent**
Solomon et al.

(10) **Patent No.: US D522,531 S**

(45) **Date of Patent: ** Jun. 6, 2006**

(54) **DIGITAL VIDEO TUNER**

(75) Inventors: **Mark C. Solomon**, Corvallis, OR (US);
Jonathan R. Harris, Cypress, TX
(US); **Kevin Luke Massaro**, Houston,
TX (US)

(73) Assignee: **Hewlett-Packard Development
Company, L.P.**, Houston, TX (US)

(**) Term: **14 Years**

(21) Appl. No.: **29/224,351**

(22) Filed: **Feb. 28, 2005**

(51) **LOC (8) Cl.** **14-03**

(52) **U.S. Cl.** **D14/496; D14/188; D14/265**

(58) **Field of Classification Search** D14/496,
D14/188, 192, 197, 168, 171, 265, 160; 455/344-351;
369/6-12; 345/156, 157, 903, 905; 273/148 B,
273/148 A; 463/1, 46, 47

See application file for complete search history.

(56) **References Cited**

U.S. PATENT DOCUMENTS

D316,553 S * 4/1991 Azima D14/265
D325,032 S * 3/1992 Nagele et al. D14/265
5,259,626 A * 11/1993 Ho 463/37

D391,258 S * 2/1998 Ito et al. D14/188
D423,503 S * 4/2000 Abdo D14/188
D466,884 S * 12/2002 Clayton D14/168
6,497,618 B1 * 12/2002 Nishiumi et al. 463/36
D489,355 S * 5/2004 Yeh D14/188
D497,152 S * 10/2004 Yeh D14/188
6,933,928 B1 * 8/2005 Lilienthal 345/173

* cited by examiner

Primary Examiner—Prabhakar Deshmukh

(57) **CLAIM**

The ornamental design for a digital video tuner, as shown and described.

DESCRIPTION

FIG. 1 is a perspective view of a digital video tuner showing our new design;
FIG. 2 is a top plan view thereof;
FIG. 3 is a front elevational view thereof;
FIG. 4 is a right side elevational view thereof;
FIG. 5 is a left side elevational view thereof;
FIG. 6 is a rear elevational view thereof; and,
FIG. 7 is a bottom plan view thereof.

The broken line showing connectors in FIGS. 1, 2, 3, 4, 5, 6, and 7 are environmental only and form no part of the claimed design.

1 Claim, 3 Drawing Sheets

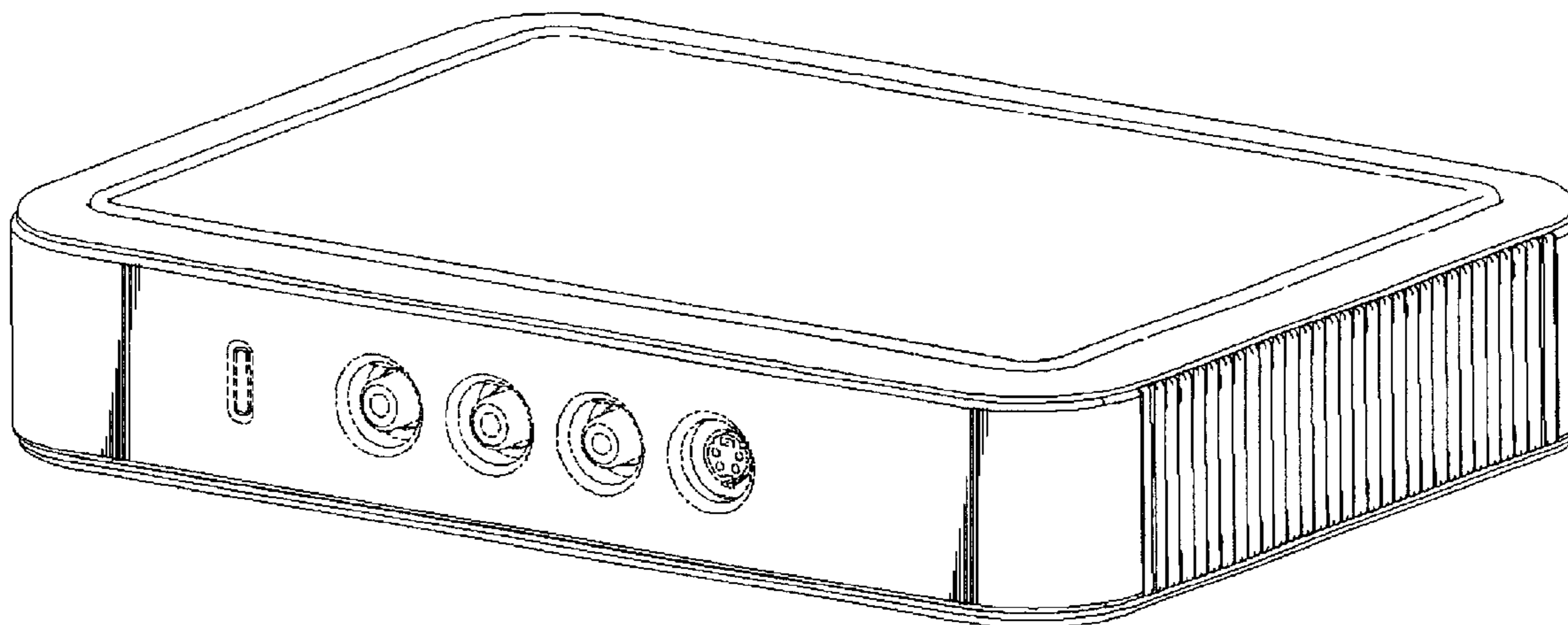


Figure 1

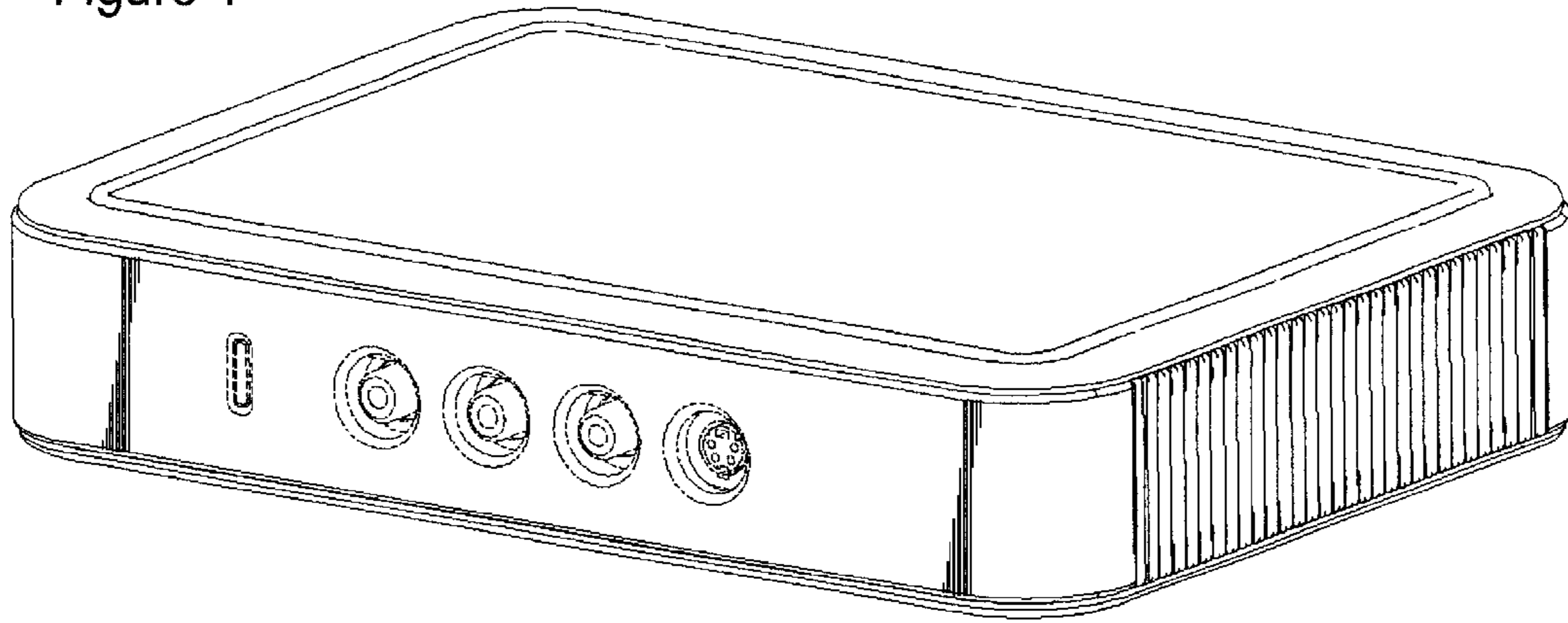


Figure 2

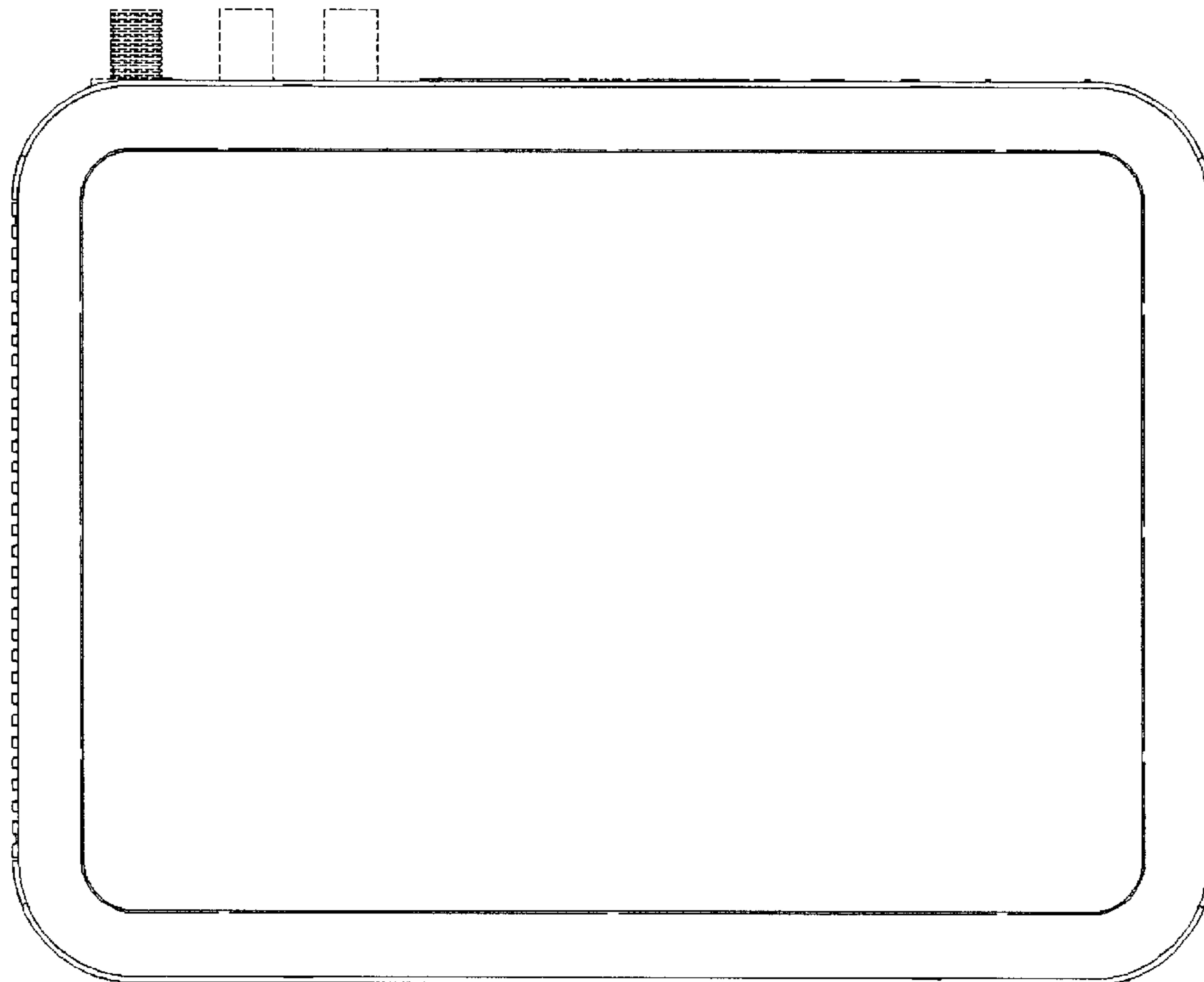


Figure 7

