



US00D522524S

(12) **United States Design Patent**
Rovinsky et al.

(10) **Patent No.:** **US D522,524 S**
(45) **Date of Patent:** **** Jun. 6, 2006**

(54) **INTERFACE FOR A DISPLAY SCREEN**

(75) Inventors: **Vladimir Rovinsky**, Redmond, WA (US); **Suzanne M. Tocco**, Bellevue, WA (US); **Mehul Y. Shah**, Redmond, WA (US)

(73) Assignee: **Microsoft Corporation**, Redmond, WA (US)

(**) Term: **14 Years**

(21) Appl. No.: **29/223,979**

(22) Filed: **Feb. 24, 2005**

(51) **LOC (8) Cl.** **14-04**

(52) **U.S. Cl.** **D14/486**

(58) **Field of Classification Search** D14/485-95;
D18/24-33; D19/6; D20/11; D21/324-33;
715/700-866

See application file for complete search history.

(56) **References Cited**

U.S. PATENT DOCUMENTS

- D462,076 S * 8/2002 Robbin et al. D14/486
- D472,244 S * 3/2003 Wasko D14/486
- D473,236 S * 4/2003 Robbin et al. D14/486

- D475,063 S * 5/2003 Horie D14/486
- D500,765 S * 1/2005 Wasko D14/486
- D501,211 S * 1/2005 Ligameri et al. D14/486
- D507,576 S * 7/2005 Hally et al. D14/486
- D510,581 S * 10/2005 Robbin et al. D14/486

OTHER PUBLICATIONS

Screenshots from Photo Story 2, Microsoft Corporation, dated prior to Feb. 24, 2005, 6 color sheets.

* cited by examiner

Primary Examiner—M. H. Tung

(74) *Attorney, Agent, or Firm*—Banner & Witcoff, Ltd.

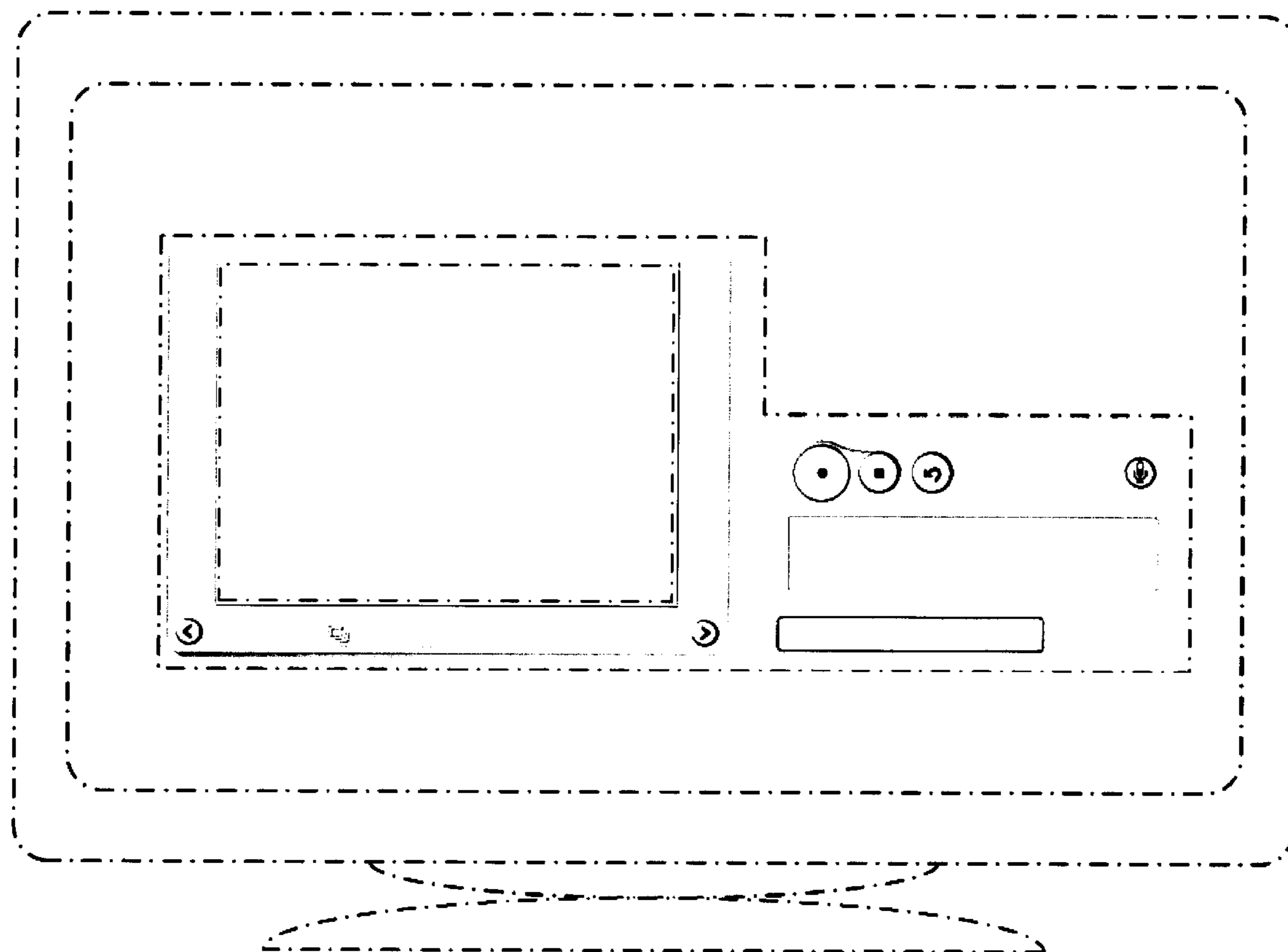
(57) **CLAIM**

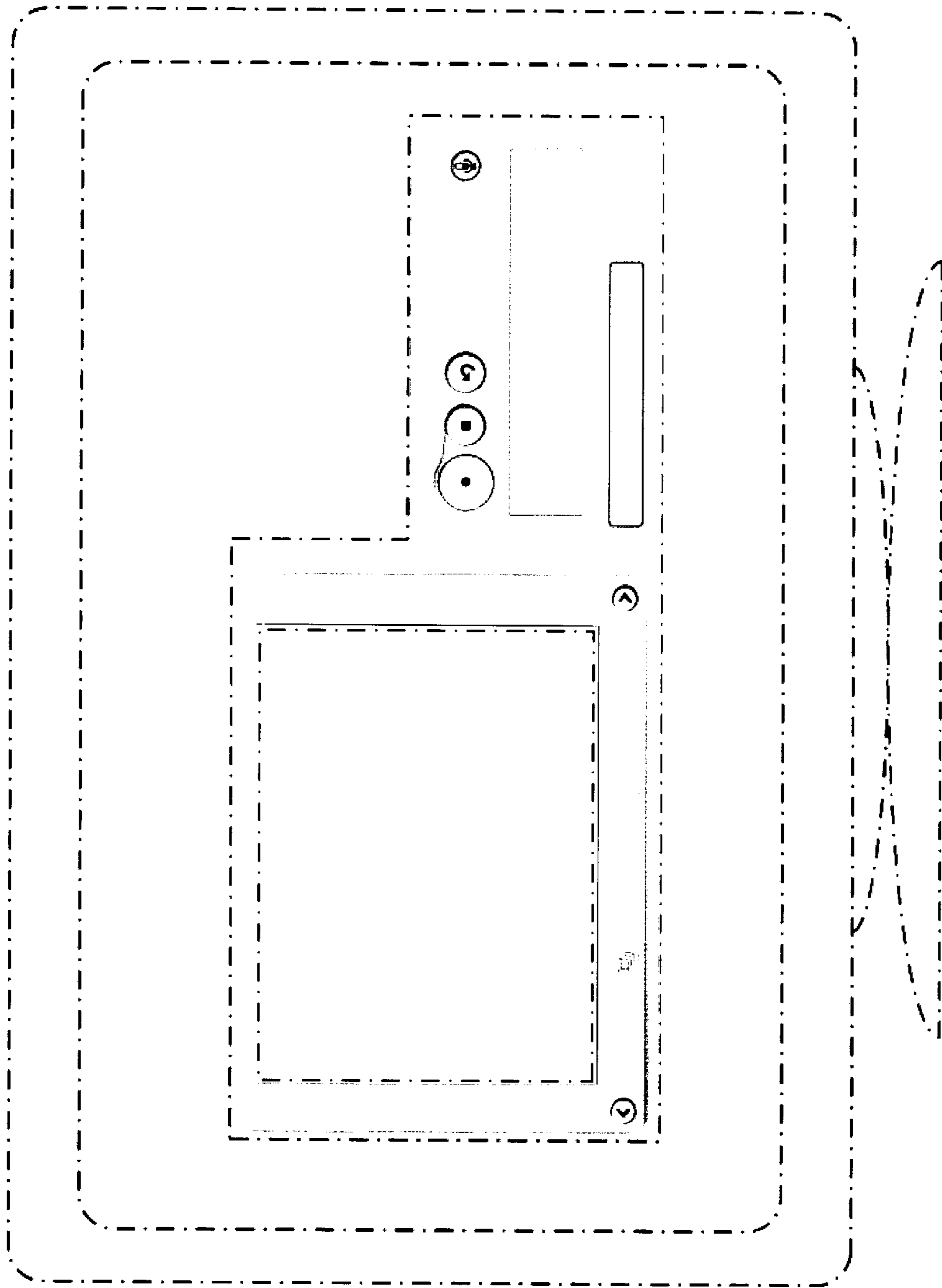
The ornamental design for an interface for a display screen, as shown and described.

DESCRIPTION

The single FIGURE is a front view of an interface for a display screen showing our new design. The broken line drawing of the rectangular portion inside the interface, of the outline around the interface, and of the display screen and monitor are for illustrative purposes only and form no part of the claimed design.

1 Claim, 1 Drawing Sheet





FIGURE