

US00D522522S

(12) **United States Design Patent**
Goto

(10) **Patent No.:** **US D522,522 S**
(45) **Date of Patent:** **** Jun. 6, 2006**

(54) **DISK CARTRIDGE**

(75) Inventor: **Teiyu Goto**, Tokyo (JP)

(73) Assignee: **Sony Computer Entertainment, Inc.**,
Toyko (JP)

(**) Term: **14 Years**

(21) Appl. No.: **29/216,838**

(22) Filed: **Nov. 10, 2004**

(30) **Foreign Application Priority Data**

May 10, 2004 (JP) D2004-013747

(51) **LOC (8) Cl.** **14-99**

(52) **U.S. Cl.** **D14/478**

(58) **Field of Classification Search** D14/478-90,
D14/435, 436; D6/626-7, 407; 360/60, 129,
360/132-3, 135, 97.01-99.12; 206/307, 312,
206/308.1, 308.2, 472; 369/291, 273, 77.2
See application file for complete search history.

(56) **References Cited**

U.S. PATENT DOCUMENTS

D231,470 S * 4/1974 Klepa et al. D14/479
D412,165 S * 7/1999 Niitsu D14/435

D450,053 S * 11/2001 Bush et al. D14/435
D473,874 S 4/2003 Taniguchi
D473,875 S 4/2003 Taniguchi
D474,184 S 5/2003 Taniguchi
D474,777 S 5/2003 Niitsu
D475,059 S 5/2003 Niitsu
D487,095 S 2/2004 Oka
D494,981 S * 8/2004 Takamori et al. D14/478

* cited by examiner

Primary Examiner—M. H. Tung

(74) *Attorney, Agent, or Firm*—Rader, Fishman & Grauer
PLLC

(57) **CLAIM**

The ornamental design for a disk cartridge, as shown and described.

DESCRIPTION

FIG. 1 is a front elevational of a disk cartridge showing my new design;
FIG. 2 is a rear elevational view thereof;
FIG. 3 is a left side elevational view thereof;
FIG. 4 is a right side elevational view thereof;
FIG. 5 is a top plan view thereof; and,
FIG. 6 is a bottom plan view thereof.

1 Claim, 2 Drawing Sheets

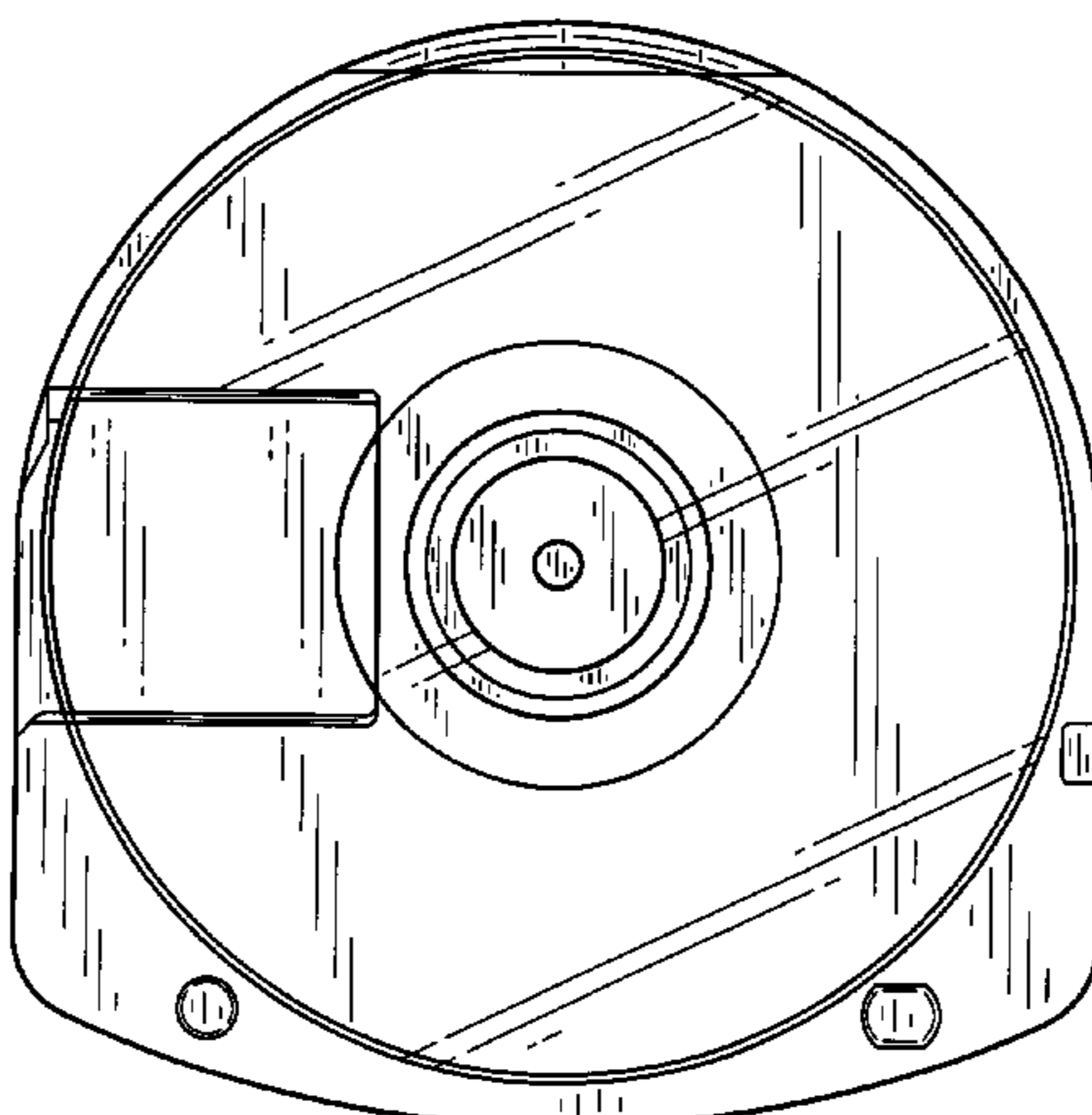
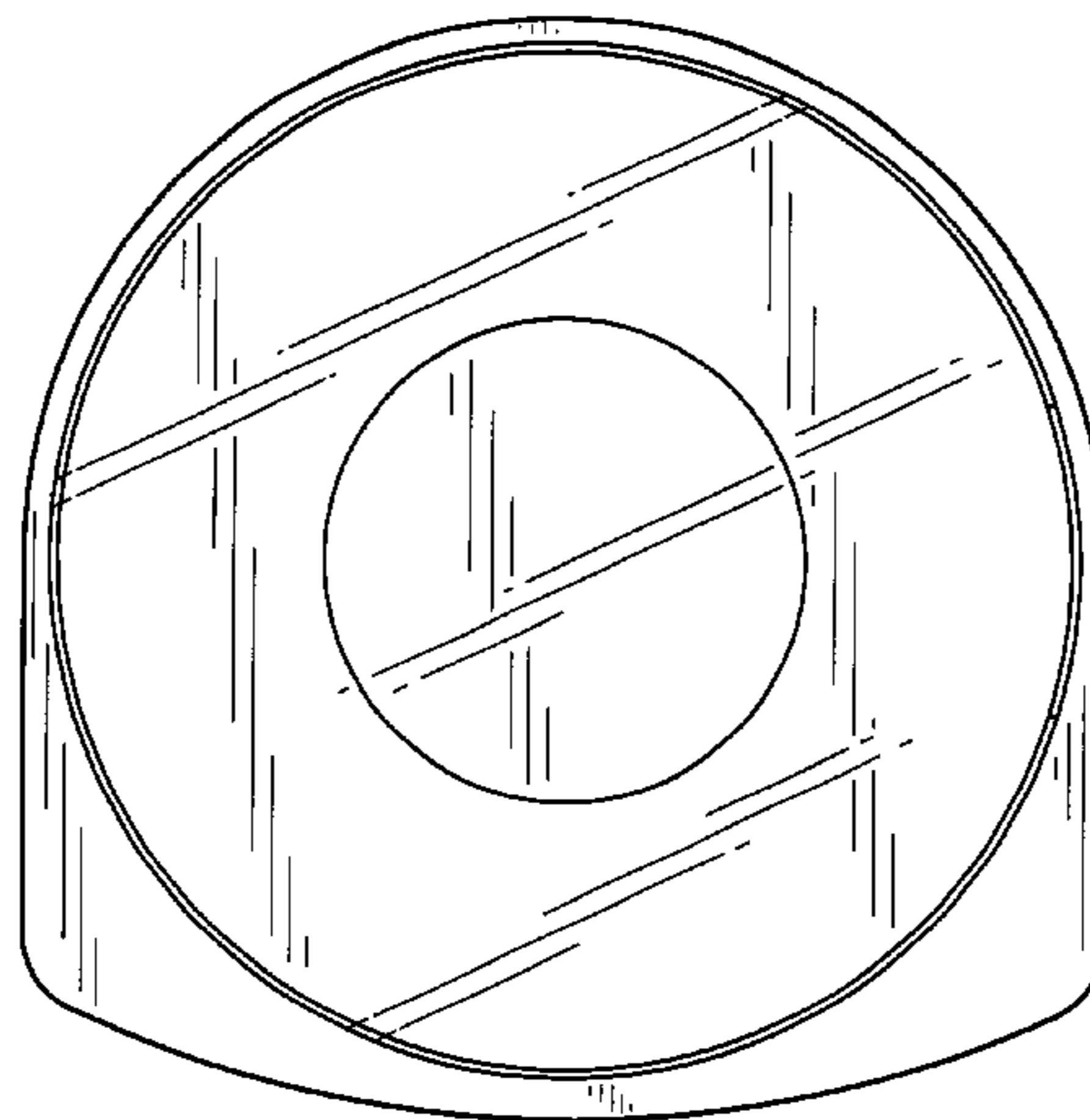


FIG.1

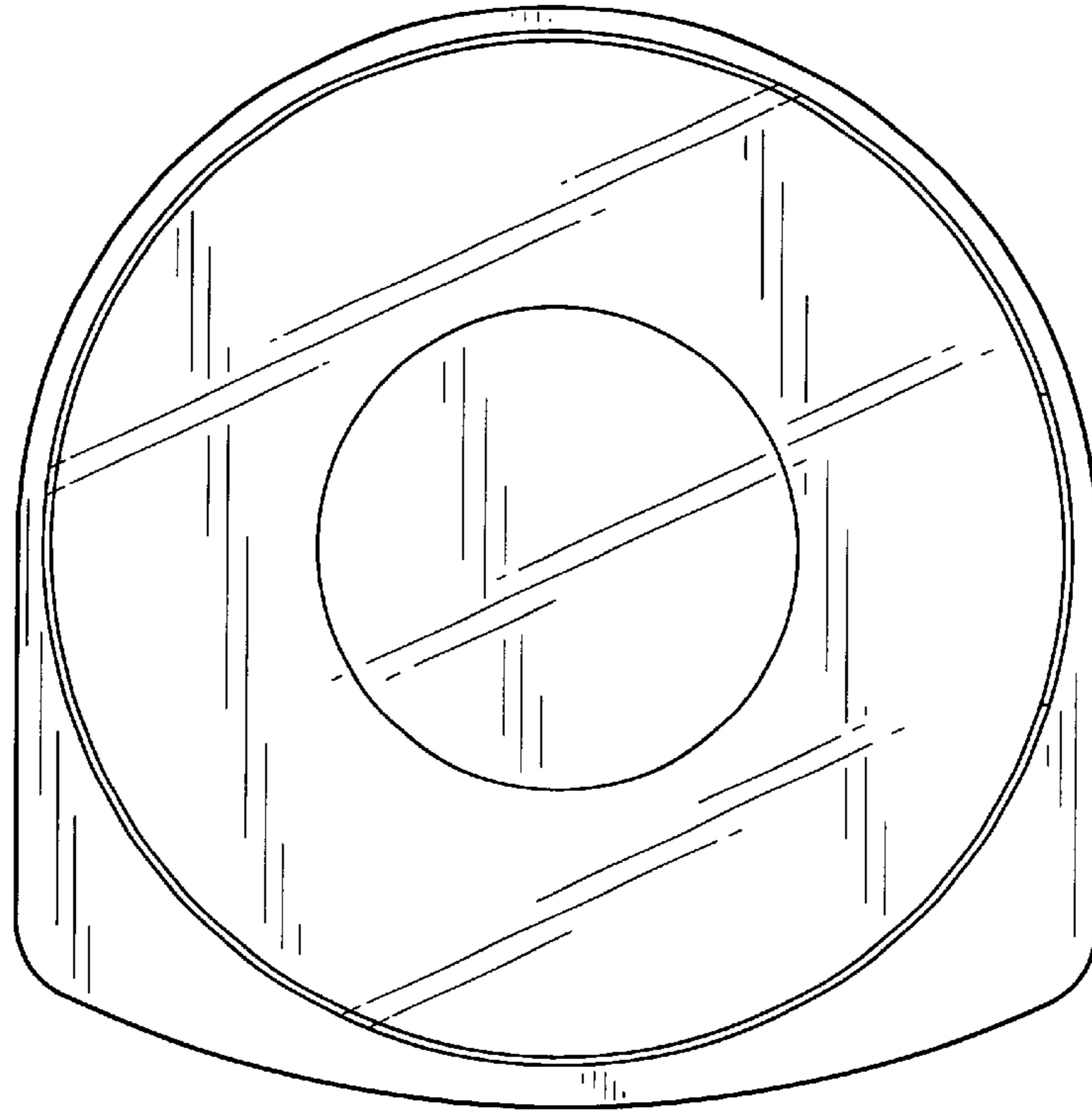


FIG.2

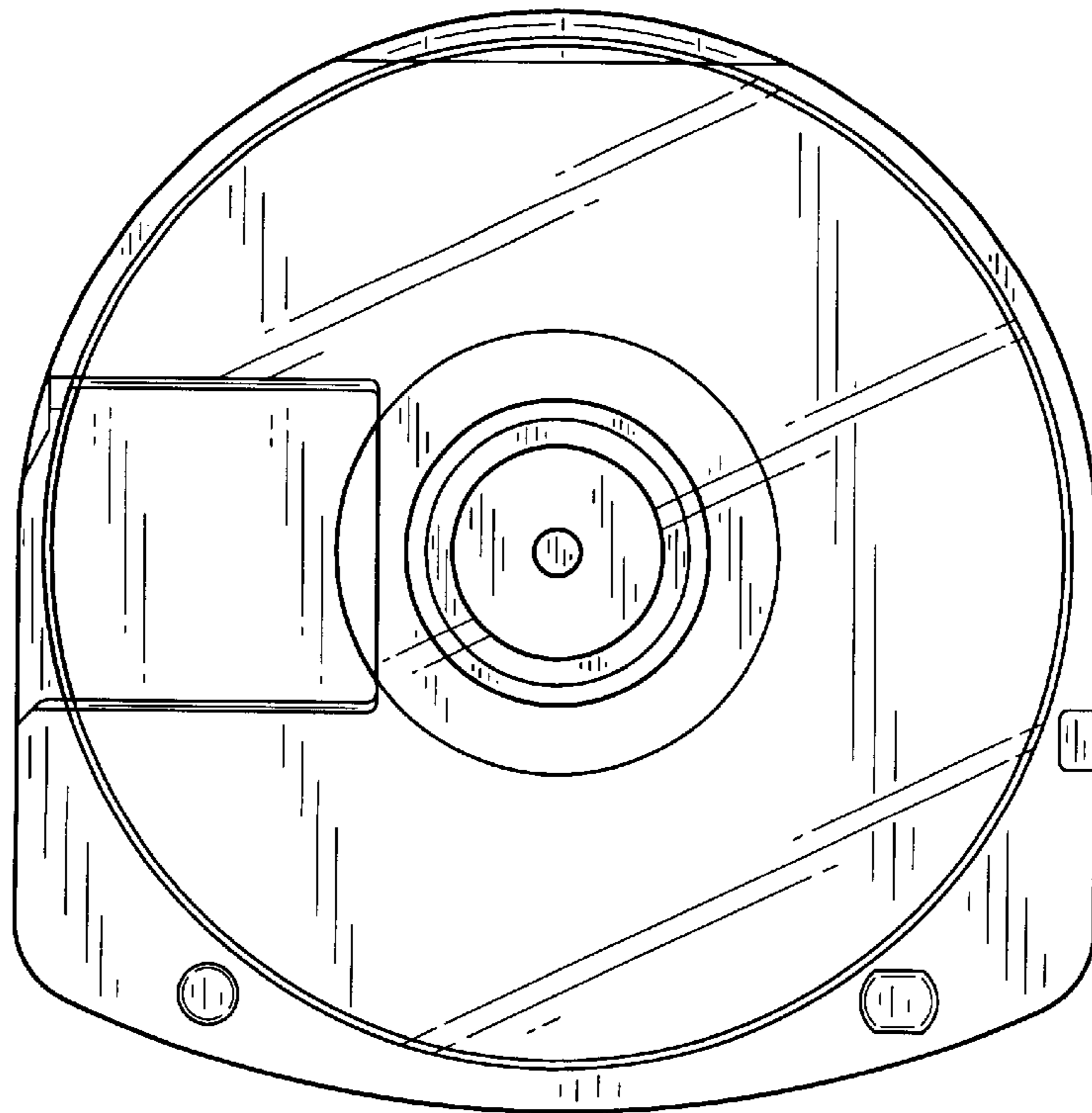


FIG.3



FIG.4



FIG.5



FIG.6

