



US00D522520S

(12) **United States Design Patent**  
**Hsu**

(10) **Patent No.:** **US D522,520 S**

(45) **Date of Patent:** **\*\* Jun. 6, 2006**

(54) **STORAGE DEVICE**

(75) Inventor: **Kao-Yu Hsu**, Taipei (TW)

(73) Assignee: **Inventec Multimedia & Telecom Corporation**, Taipei (TW)

(\*\*) Term: **14 Years**

(21) Appl. No.: **29/210,570**

(22) Filed: **Aug. 4, 2004**

(51) **LOC (8) Cl.** ..... **14-02**

(52) **U.S. Cl.** ..... **D14/436**

(58) **Field of Classification Search** ..... D14/435-8,  
D14/478-80; 361/736-7, 686, 752; 257/678-9;  
40/124.01; 283/75-6, 901; 235/487-95, 441-3,  
235/375; 439/135, 140, 76.1; D8/347  
See application file for complete search history.

(56) **References Cited**

**U.S. PATENT DOCUMENTS**

- D405,440 S \* 2/1999 Klinker ..... D14/436
- D410,913 S \* 6/1999 Saito et al. .... D14/436
- D432,540 S \* 10/2000 Laity et al. .... D14/436

- D458,267 S \* 6/2002 Goto ..... D14/436
- D469,776 S \* 2/2003 Laity et al. .... D14/435
- D488,477 S \* 4/2004 Yu et al. .... D14/436
- D502,465 S \* 3/2005 Laity et al. .... D14/242

\* cited by examiner

*Primary Examiner*—M. H. Tung

(74) *Attorney, Agent, or Firm*—Birch, Stewart, Kolasch & Birch, LLP

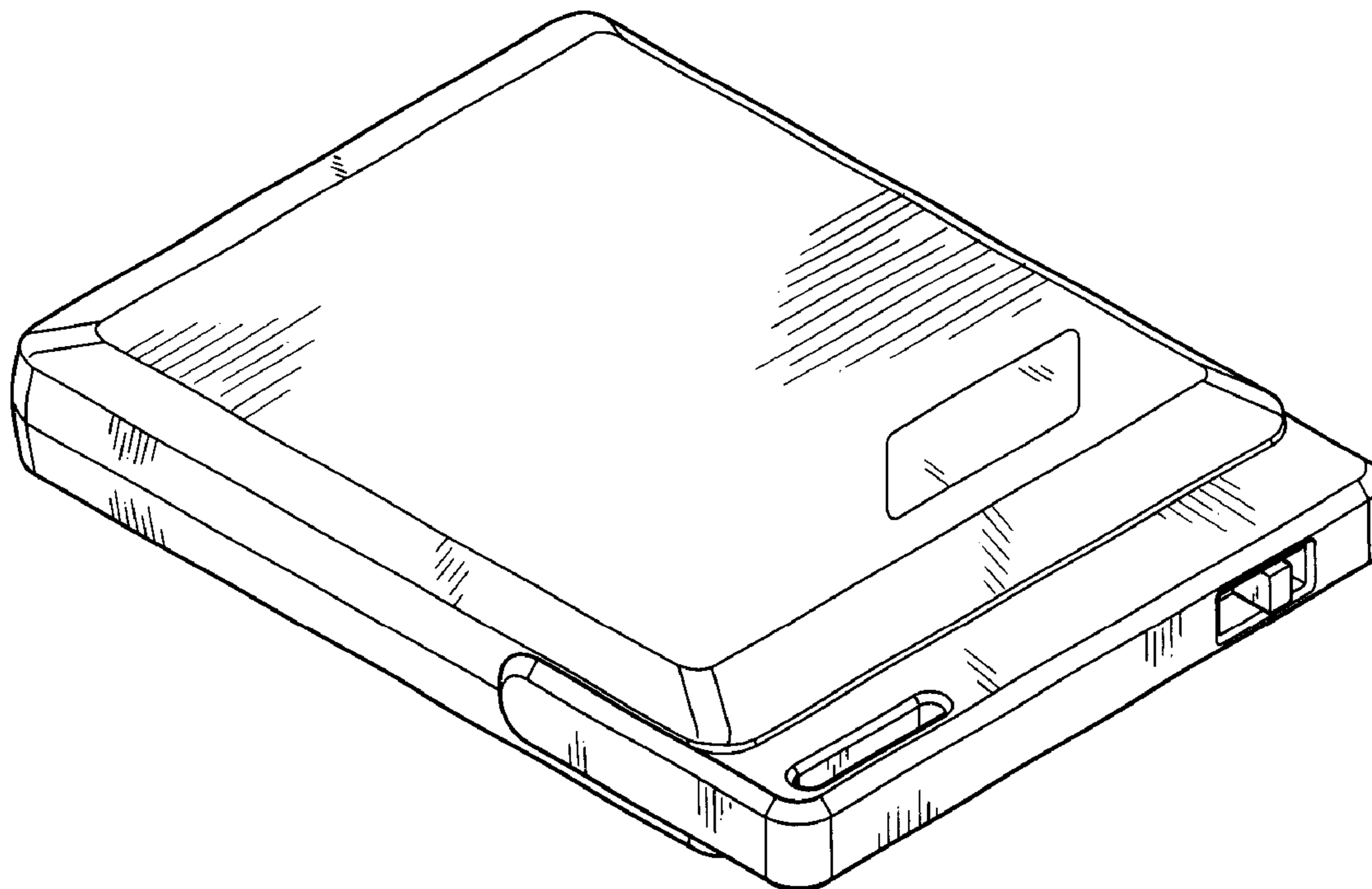
(57) **CLAIM**

The ornamental design for a “storage device,” as shown and described.

**DESCRIPTION**

FIG. 1 is a perspective view of a storage device showing my new design, on a reduced scale;  
FIG. 2 is a front view thereof;  
FIG. 3 is a rear view thereof;  
FIG. 4 is a left side elevational view thereof;  
FIG. 5 is a right side elevational view thereof;  
FIG. 6 is a top view thereof; and,  
FIG. 7 is a bottom view thereof.

**1 Claim, 7 Drawing Sheets**



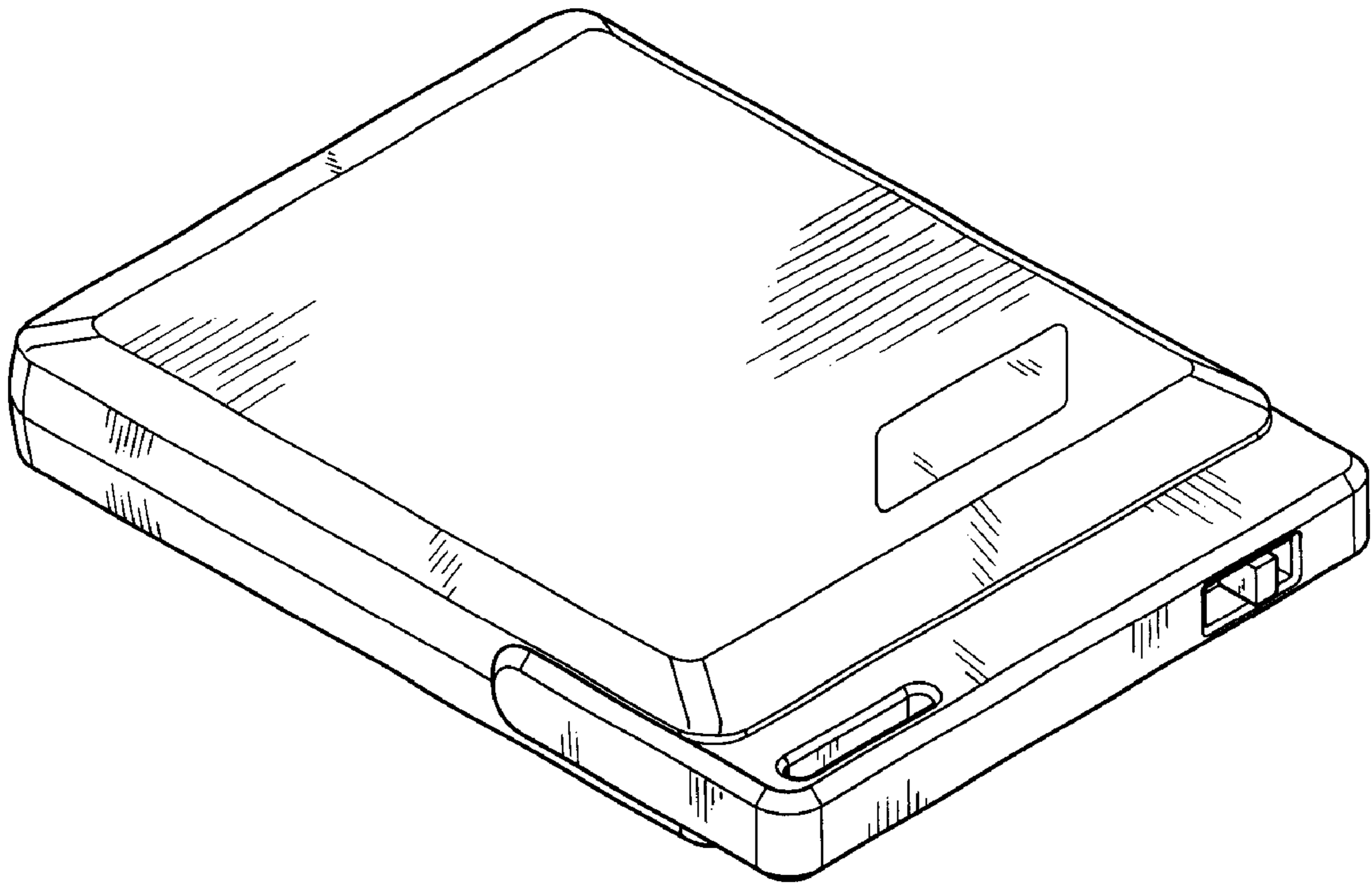


FIG. 1

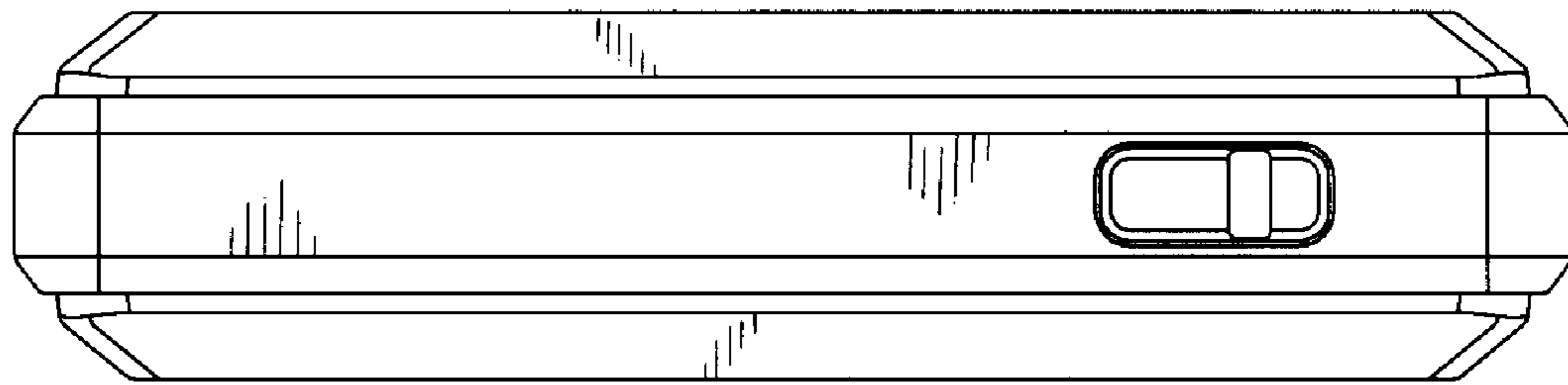


FIG. 2

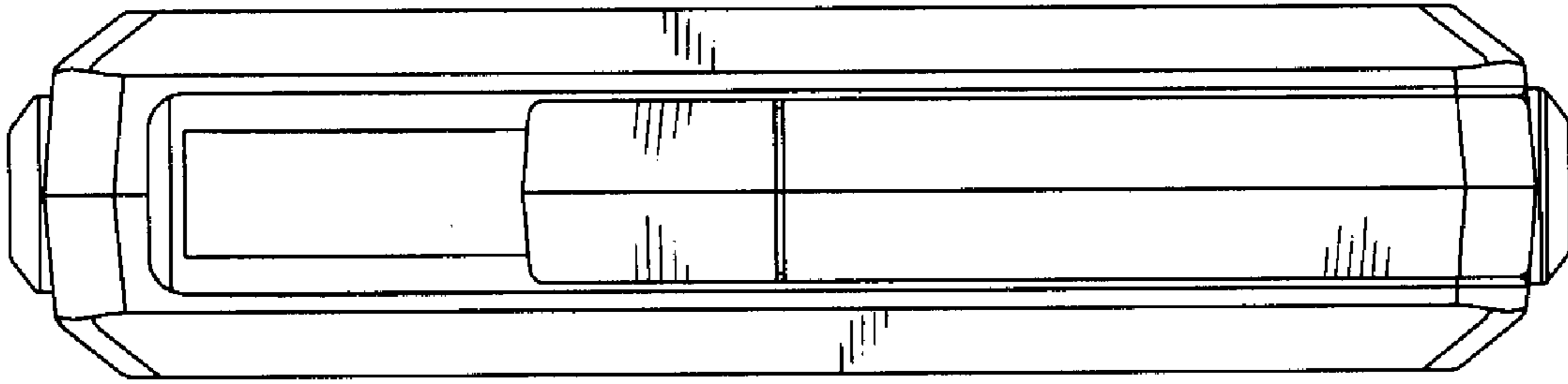


FIG. 3

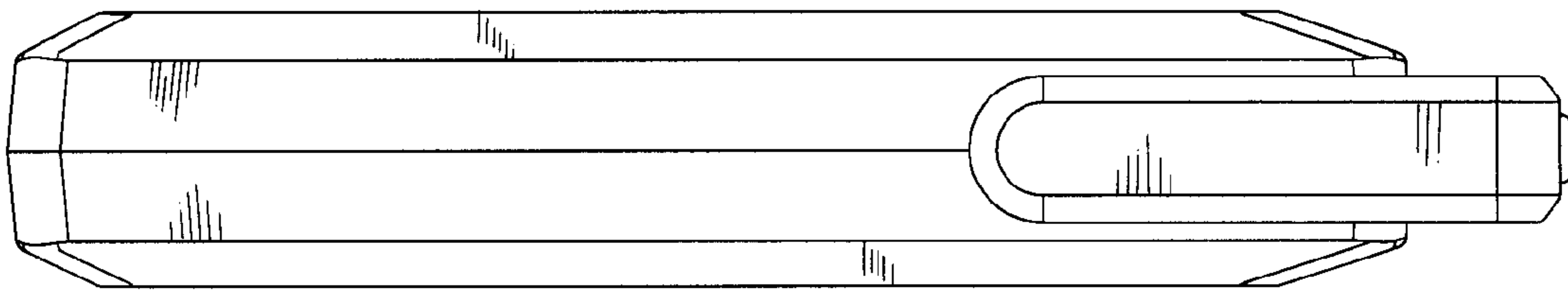


FIG. 4

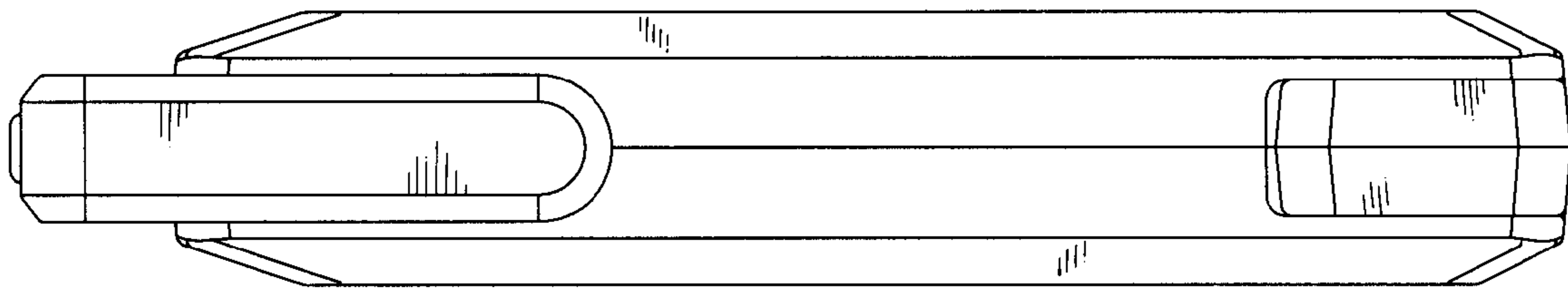


FIG. 5

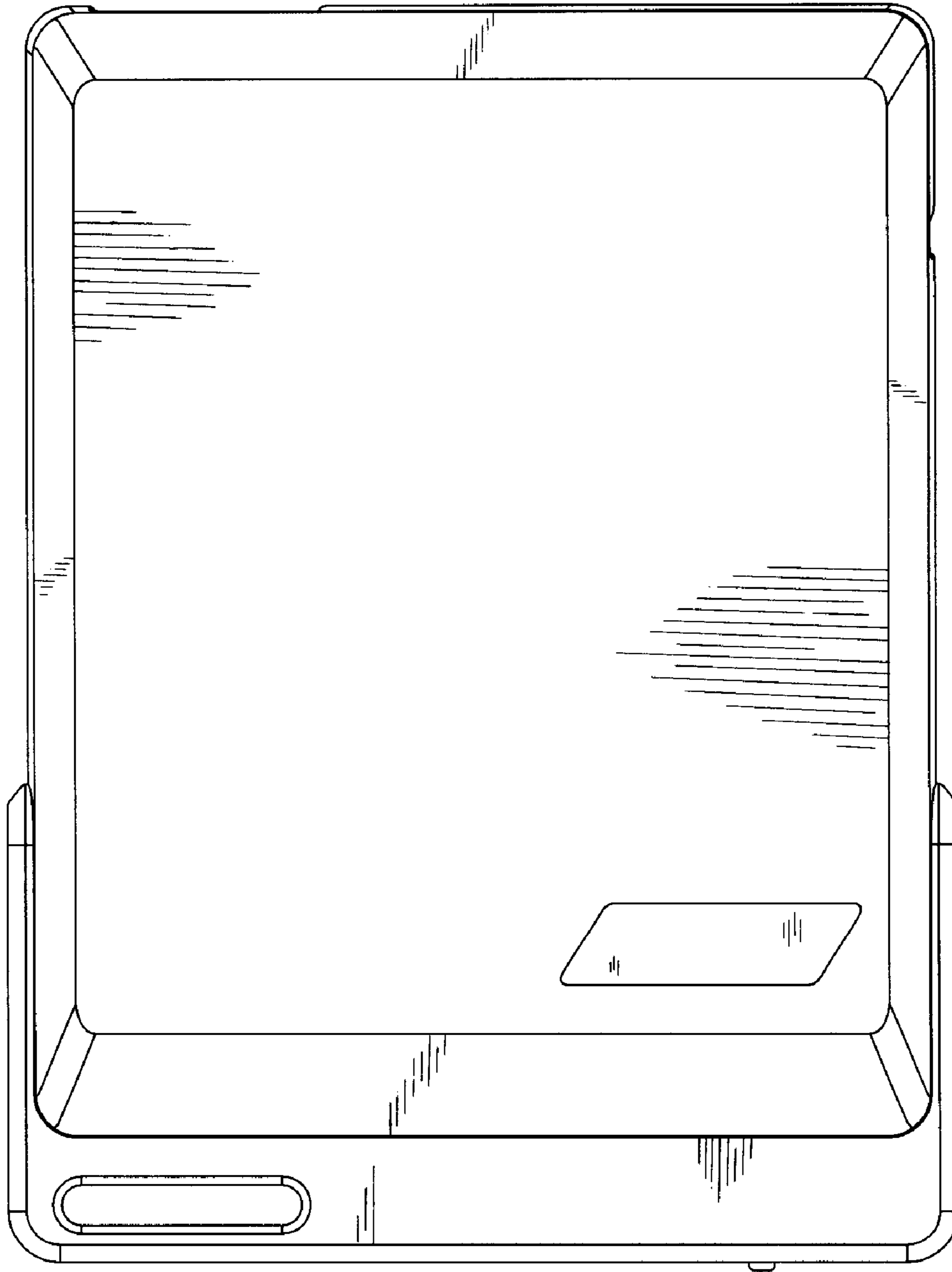


FIG. 6

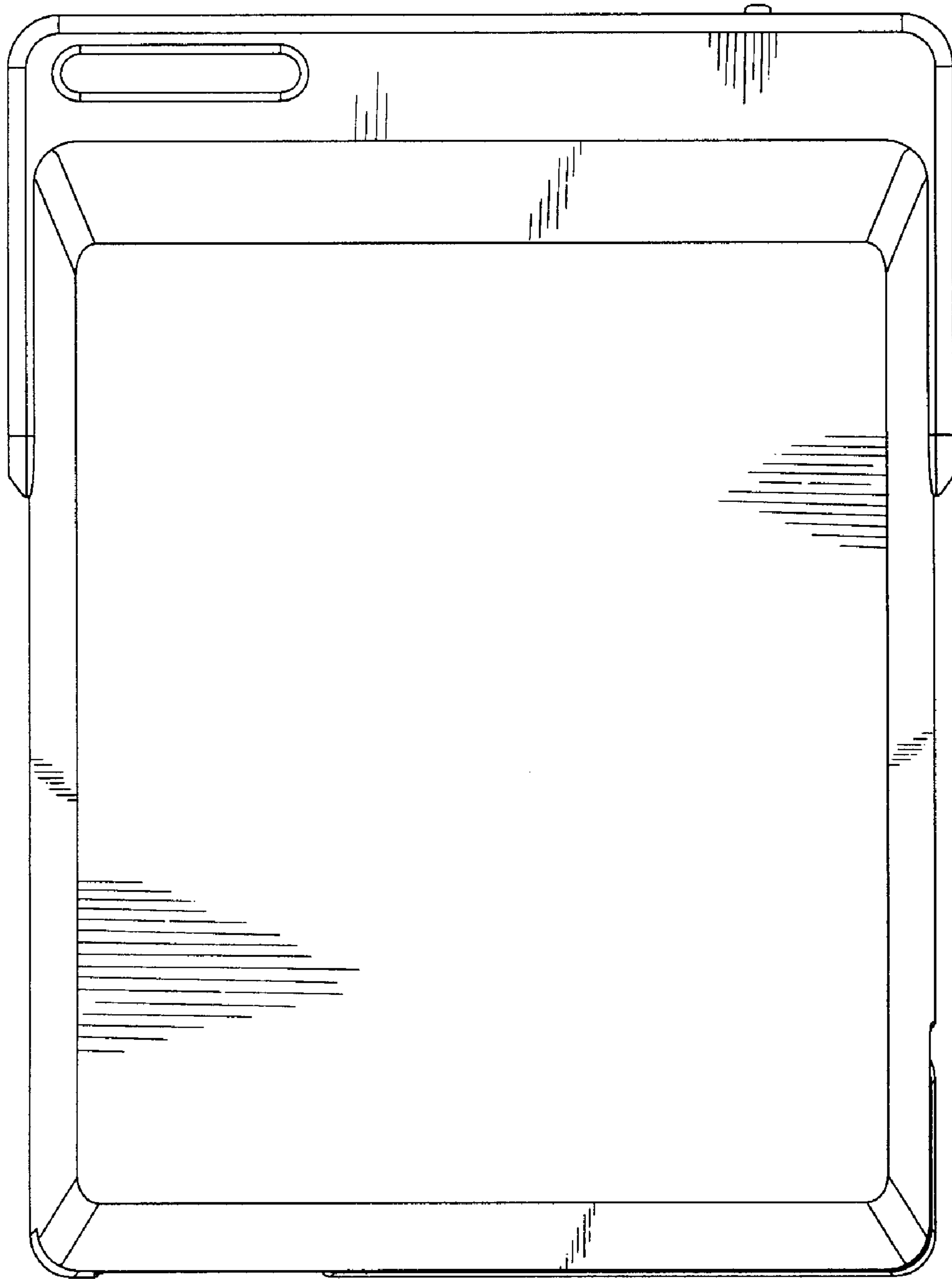


FIG. 7