



US00D522519S

(12) **United States Design Patent**  
**Rubin et al.**

(10) **Patent No.:** **US D522,519 S**  
(45) **Date of Patent:** **\*\* Jun. 6, 2006**

(54) **MICRO-PRO FLASH DRIVE**

(75) Inventors: **Bennett S. Rubin**, Pepper Pike, OH (US); **Ronald Rich**, Burton, OH (US)

(73) Assignee: **Crestwood Partners, LLC**, Mayfield Village, OH (US)

(\*\*) Term: **14 Years**

(21) Appl. No.: **29/230,442**

(22) Filed: **May 23, 2005**

(51) **LOC (8) Cl.** ..... **14-02**

(52) **U.S. Cl.** ..... **D14/435; D8/105**

(58) **Field of Classification Search** ..... 361/737, 361/752; 365/200; 439/135, 136, 147, 165, 439/497, 607, 639; D13/168; D14/99, 138, D14/218, 230, 240, 242, 348, 356, 358, 367, D14/384, 385, 402, 433, 435; D8/105; D3/207, D3/208, 210; 7/118

See application file for complete search history.

(56) **References Cited**

**U.S. PATENT DOCUMENTS**

D273,053	S	*	3/1984	Hamborg	.....	D99/28
D378,631	S	*	4/1997	Parker	.....	D3/208
D416,675	S	*	11/1999	MacDonald	.....	D3/207
6,088,861	A	*	7/2000	Sessions et al.	.....	7/128
D435,141	S	*	12/2000	Reynolds	.....	D27/142
6,286,397	B1	*	9/2001	Taggart et al.	.....	81/63.1
D462,689	S	*	9/2002	Moran	.....	D14/433
D492,307	S	*	6/2004	Aqqad et al.	.....	D14/356
D498,125	S	*	11/2004	Ping	.....	D8/55
D500,302	S	*	12/2004	Deguchi	.....	D14/167

D508,640	S	*	8/2005	Ping	.....	D8/55
2005/0048917	A1	*	3/2005	Weng	.....	455/41.2
2005/0081302	A1	*	4/2005	Elsener	.....	7/118
2005/0105346	A1	*	5/2005	Shih	.....	365/200
2005/0177953	A1	*	8/2005	Phelps	.....	7/118
2005/0193498	A1	*	9/2005	Klecker et al.	.....	7/158

**FOREIGN PATENT DOCUMENTS**

DE 19745510 A1 \* 6/1998

**OTHER PUBLICATIONS**

Sep. 28, 2005—<http://www.swissbit.com>—site published: Jun. 2, 2004.\*

\* cited by examiner

*Primary Examiner*—Robin Webster

*Assistant Examiner*—Karen E. Patterson

(74) *Attorney, Agent, or Firm*—Smith Gambrell & Russell

(57) **CLAIM**

The ornamental design for micro-pro flash drive, as shown and described.

**DESCRIPTION**

FIG. 1 is a perspective view of a micro-pro flash drive;

FIG. 2 is a front view thereof;

FIG. 3 is a back view thereof;

FIG. 4 is a left side view thereof;

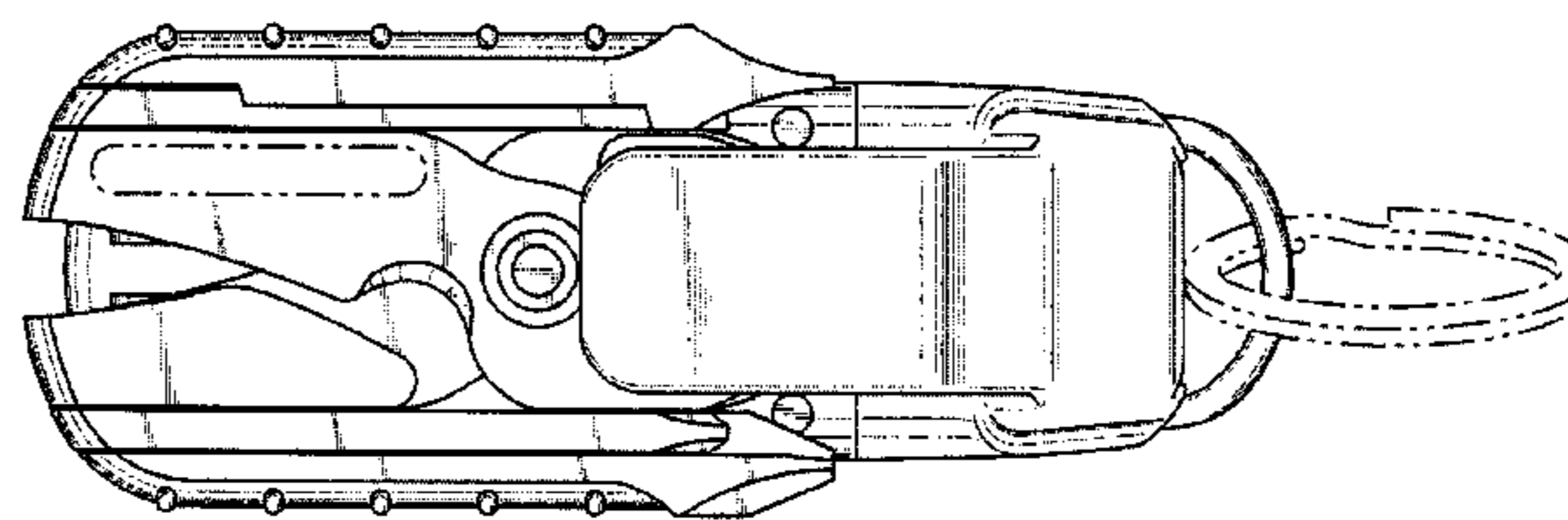
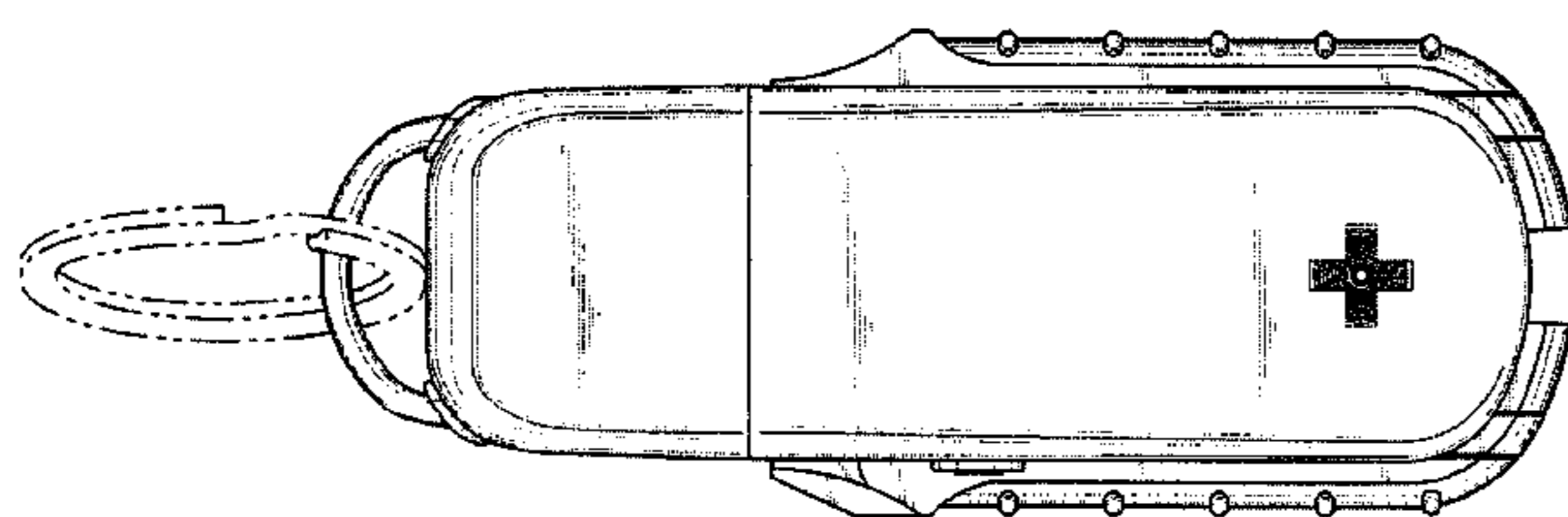
FIG. 5 is a right side view thereof;

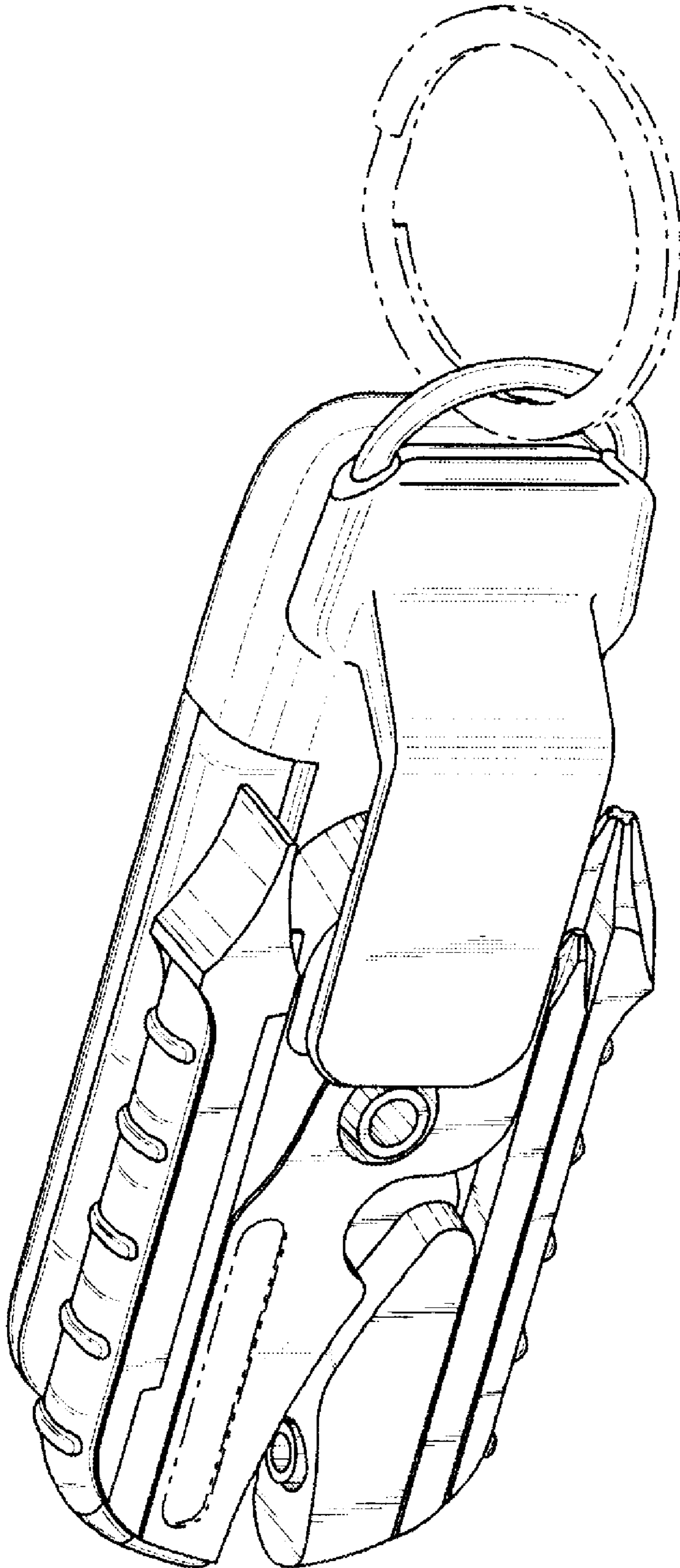
FIG. 6 is a top view thereof; and,

FIG. 7 is a bottom view.

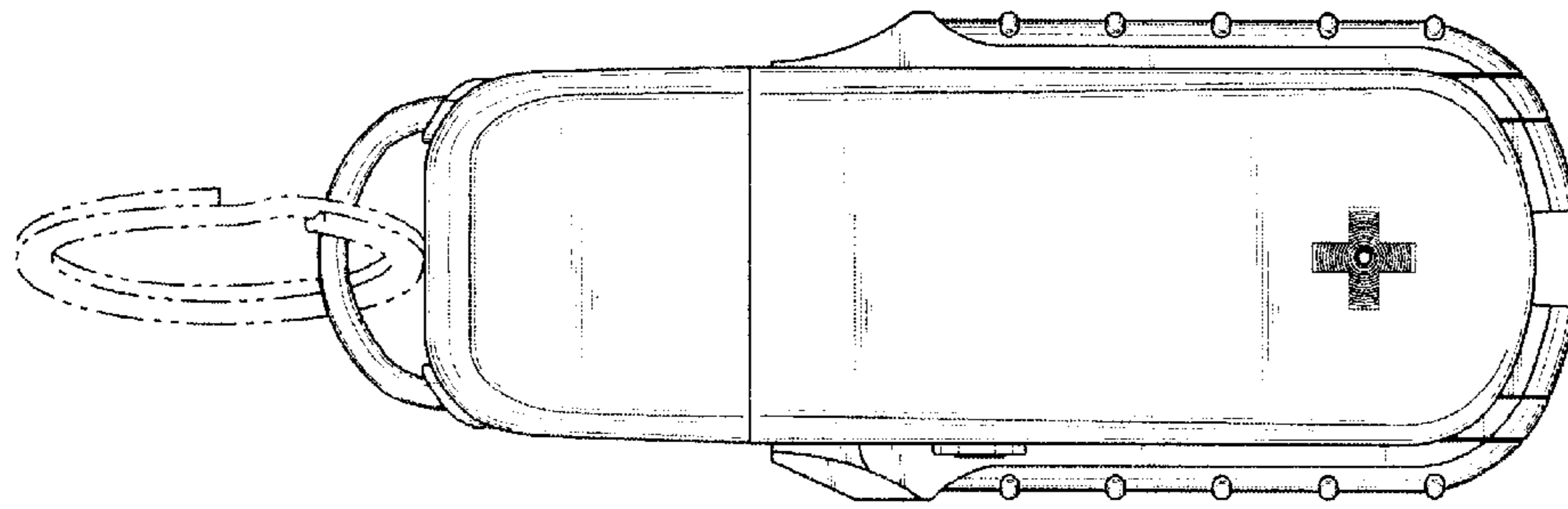
The broken lines are for environmental purposes only and form no part of the claimed design.

**1 Claim, 4 Drawing Sheets**

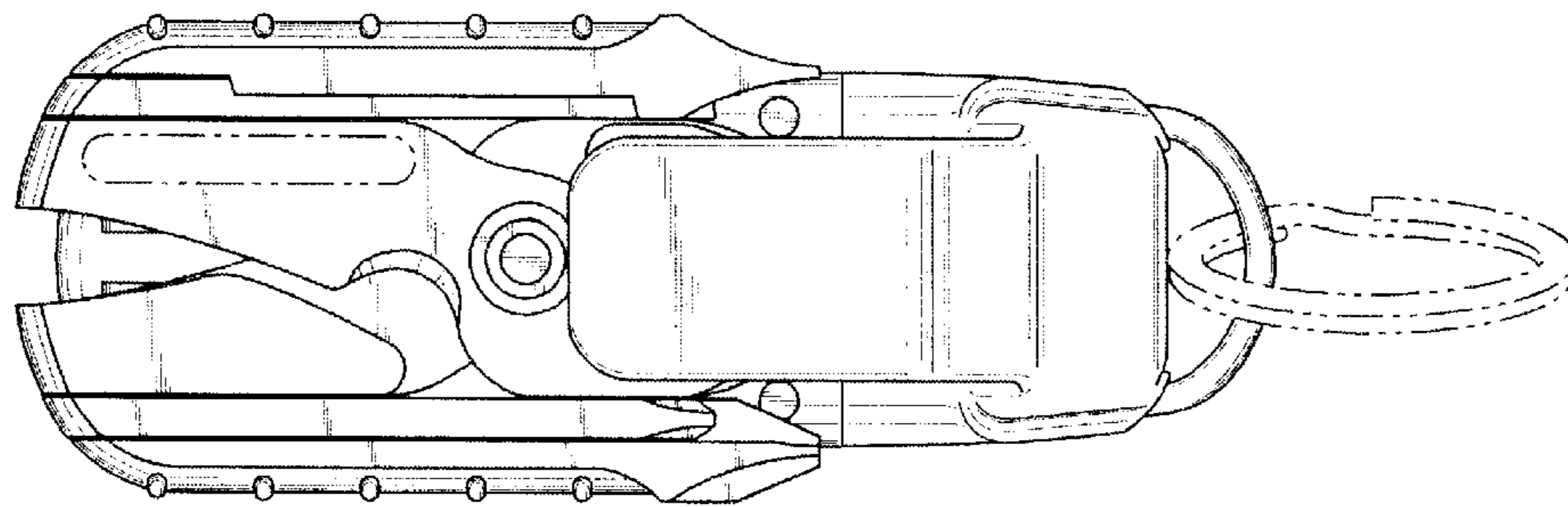




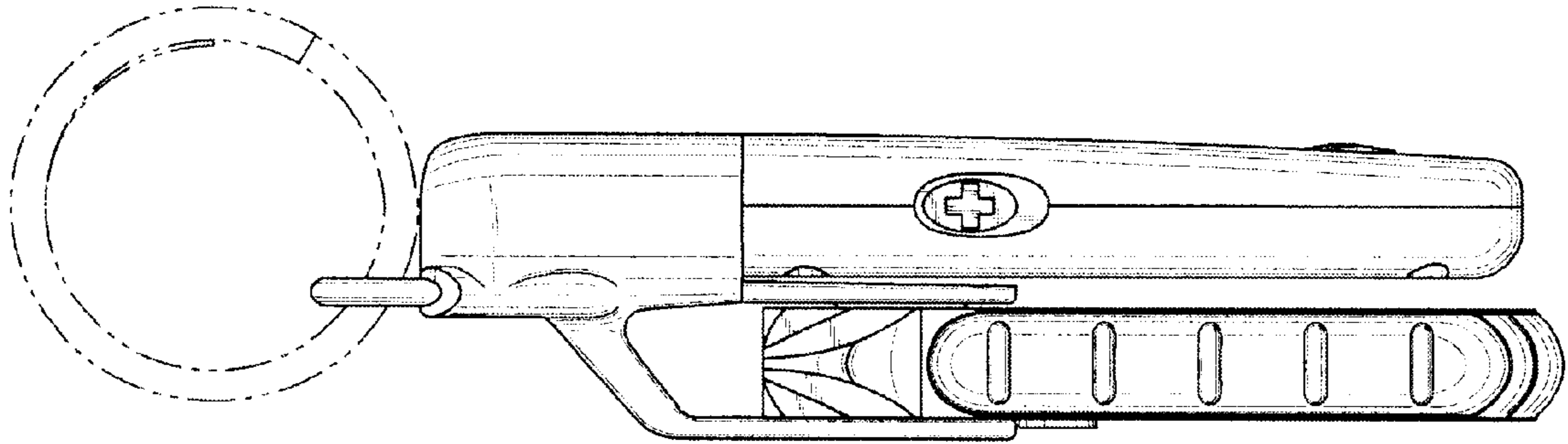
*Fig. 1*



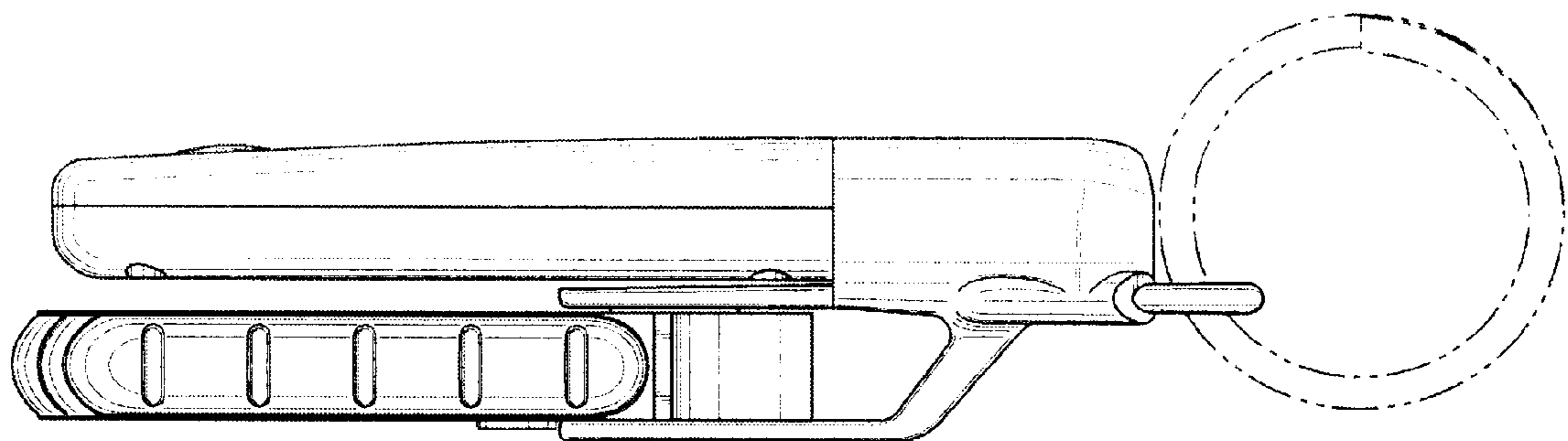
*Fig. 2*



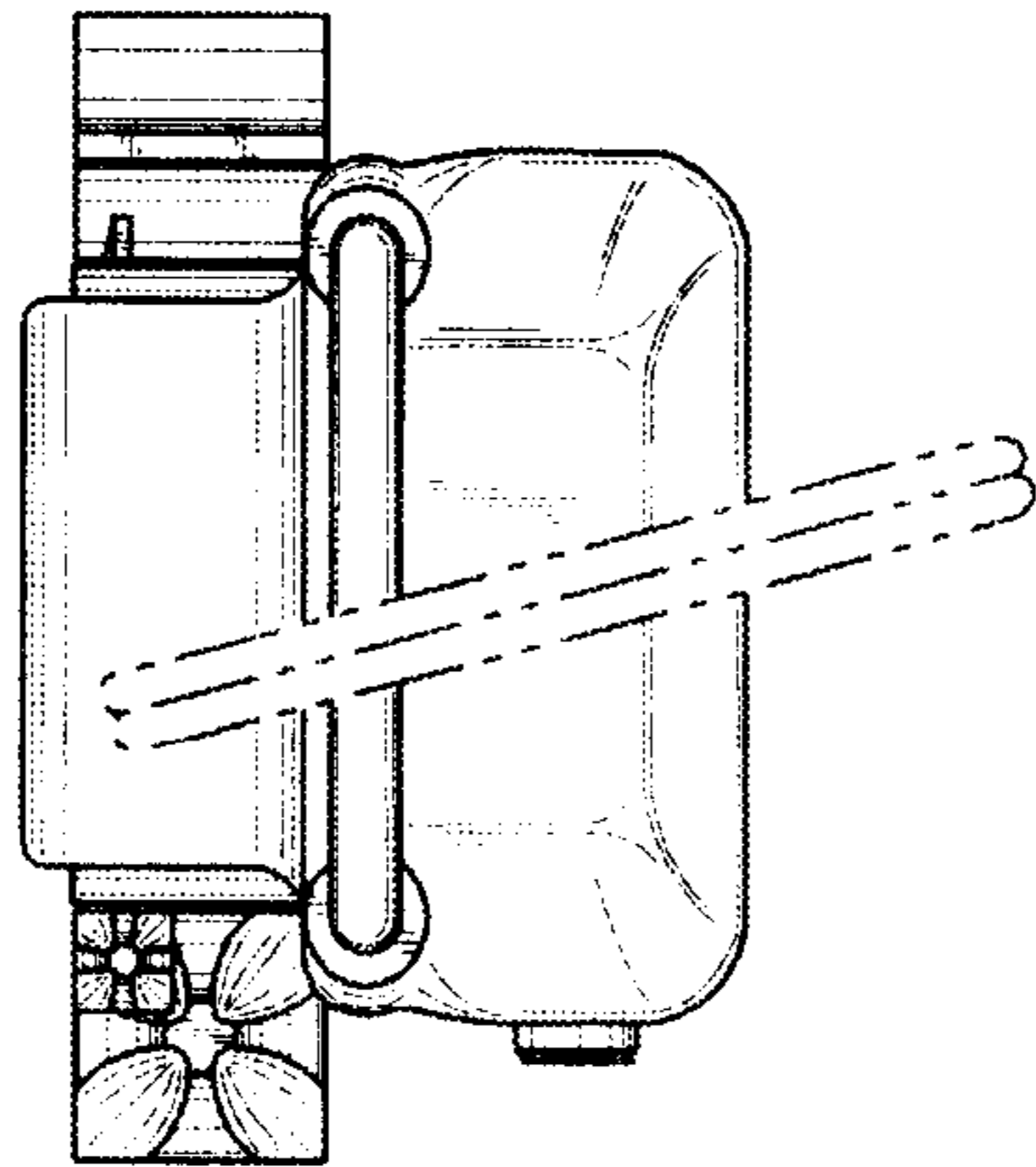
*Fig. 3*



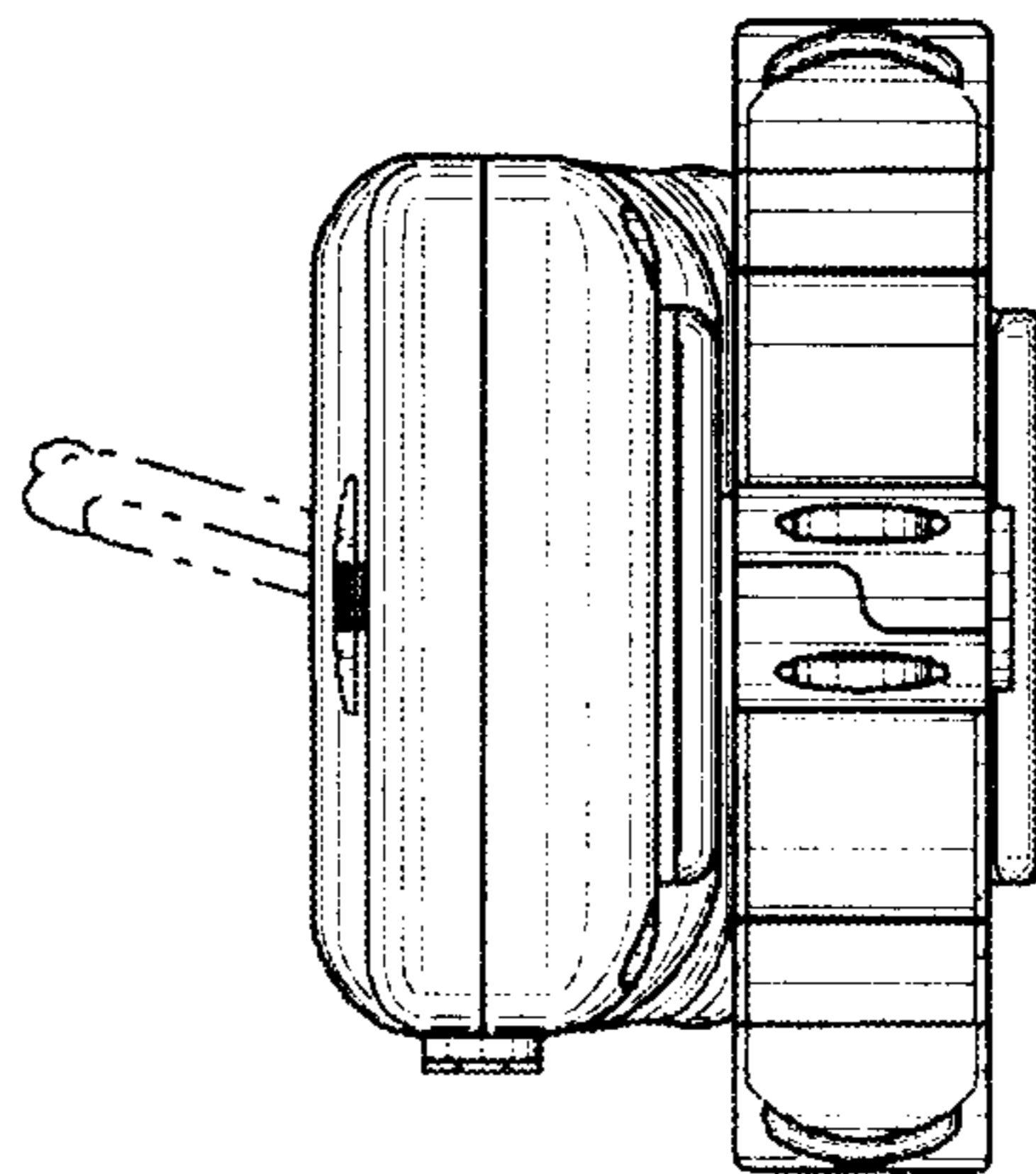
*Fig. 4*



*Fig. 5*



*Fig. 6*



*Fig. 7*